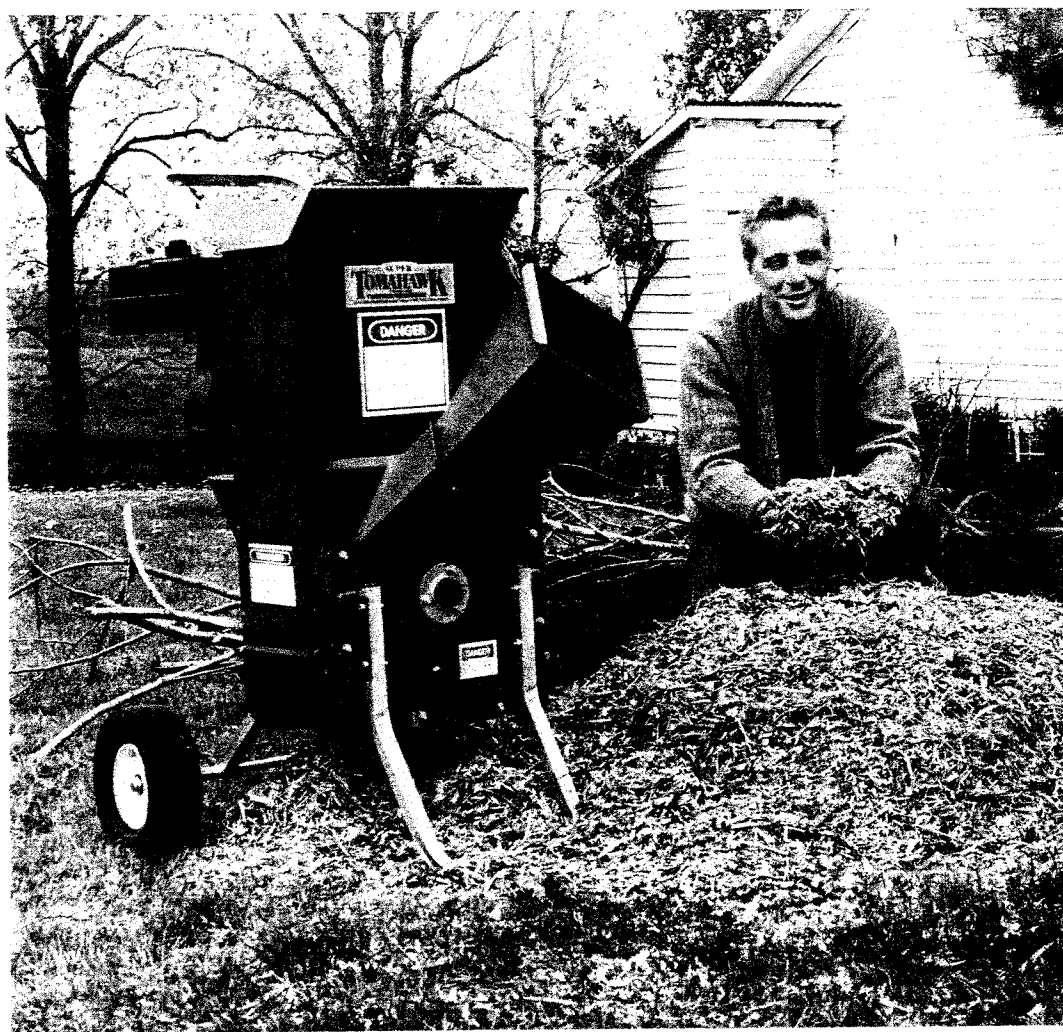


PARTS CATALOG

THE GARDEN WAY 8HP & 5HP SUPER TOMAHAWK Chipper/Shredder

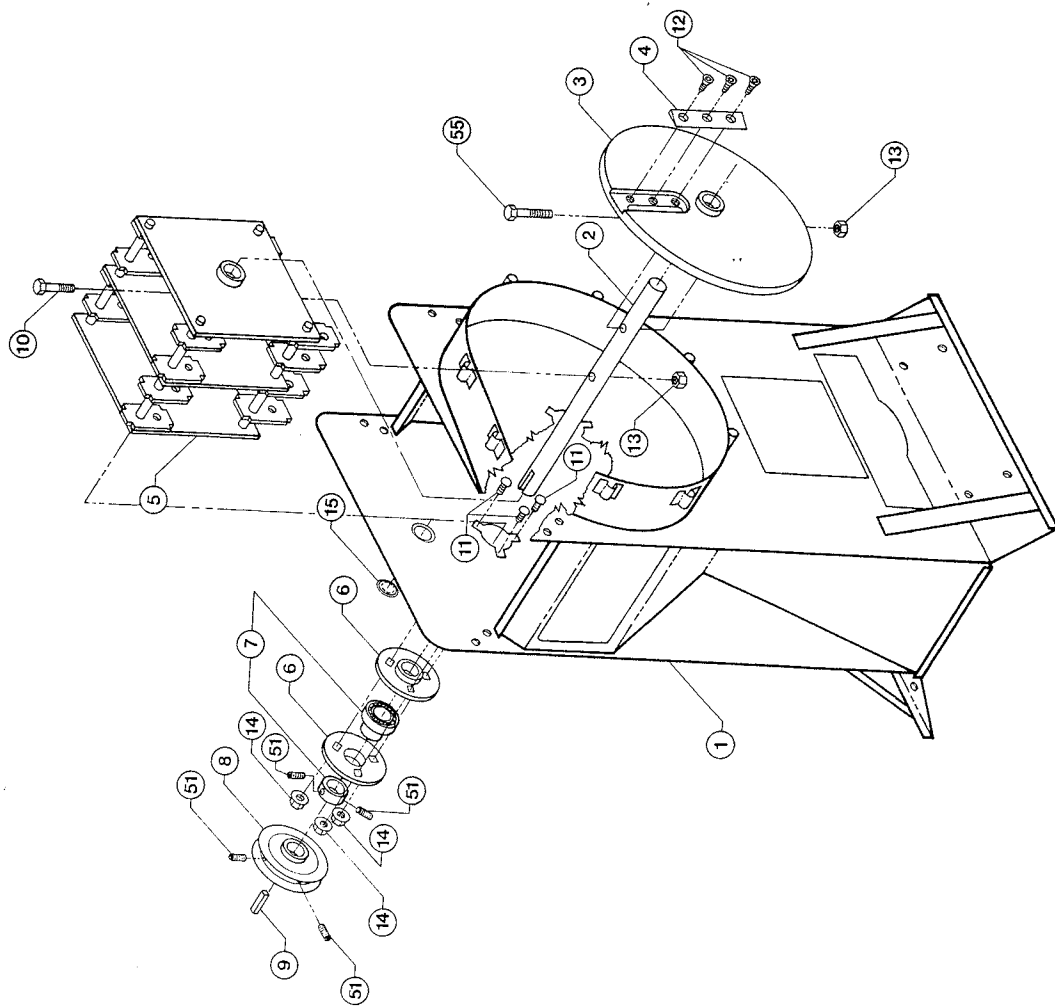


OCTOBER 1985 EDITION

SUPER TOMAHAWK Chipper/Shredder

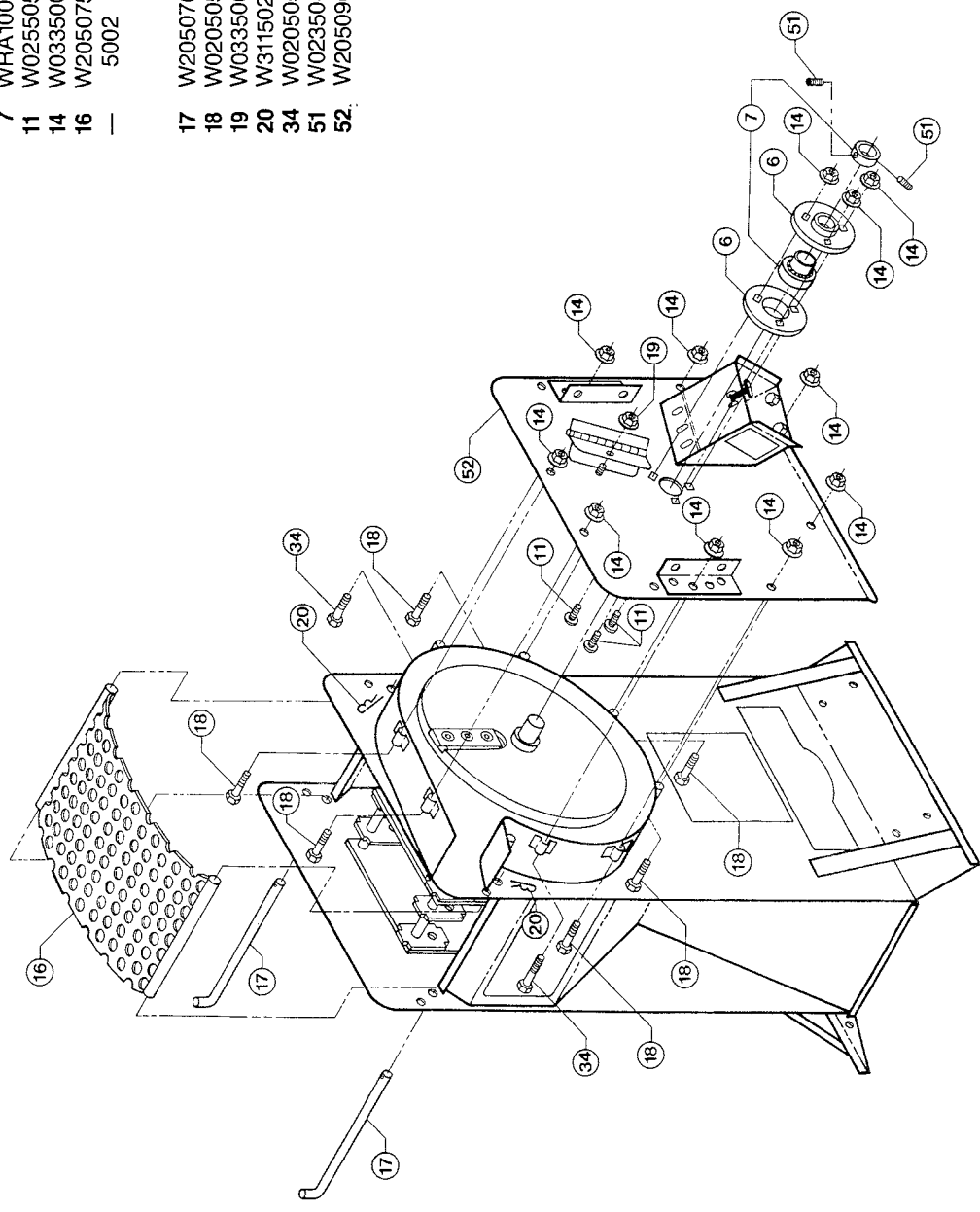
DRAWING ONE

Ref. No.	Part No.	Description	Qty.
1	W2050803	Chipper/Shredder Main Frame Assy.	1
2	W2030903	Cylinder Shaft	1
3	W20309001	Chipper Flywheel Assy., for 5HP Model only, accepts single blade (blade not included)	as req'd.
	W20302083 (not shown)	Chipper Flywheel Assy., for 8HP Model only, accepts two blades (blades not included)	as req'd.
4	W2030901	Chipper Blade (for 5HP & 8HP Models)	as req'd.
5	W2030750	Shredder Cylinder Assembly	1
6	WAX145P	Bearing — Flangette 52MS	2
7	WRA100RRB	Bearing — 1" w/collar	1
8	WBC40X1	Pulley — lower	1
9	W06273	Keystock — 1/4" x 1/4" x 1 1/4"	1
10	W02050613	Hex Head Cap Screw (GR5) — 3/8"-16 x 1 3/4"	1
11	W02550503P	Carriage Bolt — 5/16"-18 x 3/4"	3
12	W02260403P	Flat Head Screw (Allen head) — 1/4"-20 x 3/4" (attaches chipper blade: 3 on 5HP Model; 6 on 8HP Model)	as req'd.
13	W0310006P	Locknut 2-way — 3/8"-16	2
14	W0335005P	Whiz Nut — 5/16"-18	3
15	WBPF78	Midwest Conduit Plug — 7/8"	1
51	W02350401	Set Screw — 1/4"-28 x 1/4" (Allen head)	4
55	W02050620	Hex Head Cap Screw (GR5) — 3/8"-16 x 2"	1



**UNIT IS UPSIDE DOWN —
REMOVE GAS AND OIL FROM
ENGINE BEFORE DISASSEMBLY**

Ref. No.	Part No.	Description	Qty.
6	WAX145P	Bearing — Flangette 52MS	2
7	WRA100RRB	Bearing — 1" with collar	1
11	W02550503P	Carriage Bolt — 5/16" -18 x 3/4"	3
14	W0335005P	Whiz Nut — 5/16" -18	11
16	W2050759	Shredder Screen Assembly — 3/4" holes	1
—	5002	Shredder Bar Grate — optional equipment, use in place of screen assembly for wet, heavy material	as req'd.
17	W2050761	Shredder Screen Rod	2
18	W02050512P	Hex Head Cap Screw (GR5) — 5/16" -18 x 1 1/2"	6
19	W0335004P	Whiz Nut — 1/4" -20	1
20	W311502	Hair Pin Clip — No. 3	2
34	W02050513P	Hex Head Cap Screw (GR5) — 5/16" -18 x 1 3/4"	2
51	W02350401	Set Screw — 1/4" -28 x 1/4" (Allen head)	2
52	W2050902	Side Plate Assembly (Chipper)	1



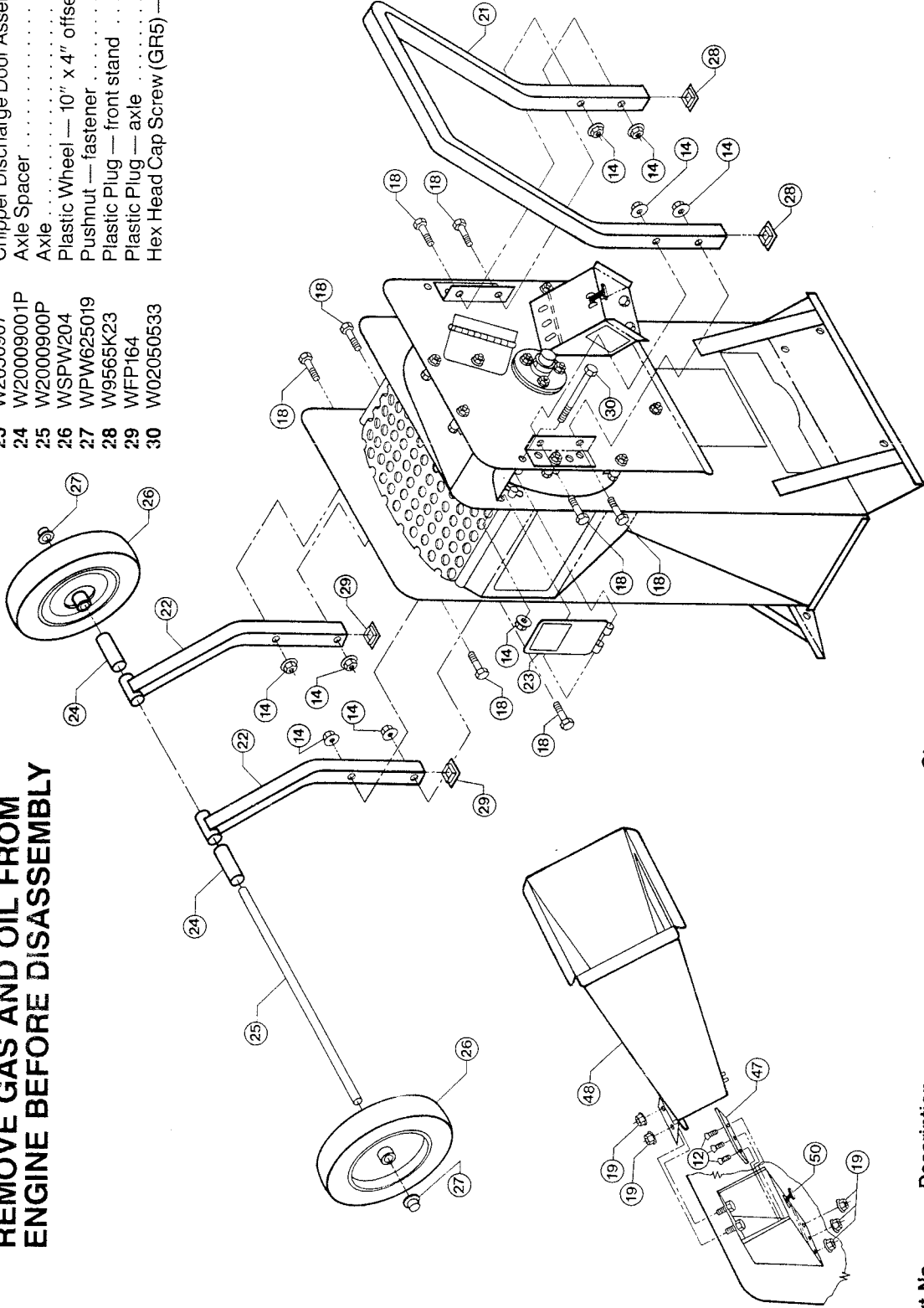
NOTE: Bearing must be installed to front plate before front plate is installed to Chipper/Shredder.

**UNIT IS UPSIDE DOWN —
REMOVE GAS AND OIL FROM
ENGINE BEFORE DISASSEMBLY**

SUPER TOMAHAWK Chipper/Shredder

DRAWING THREE

**UNIT IS UPSIDE DOWN —
REMOVE GAS AND OIL FROM
ENGINE BEFORE DISASSEMBLY**

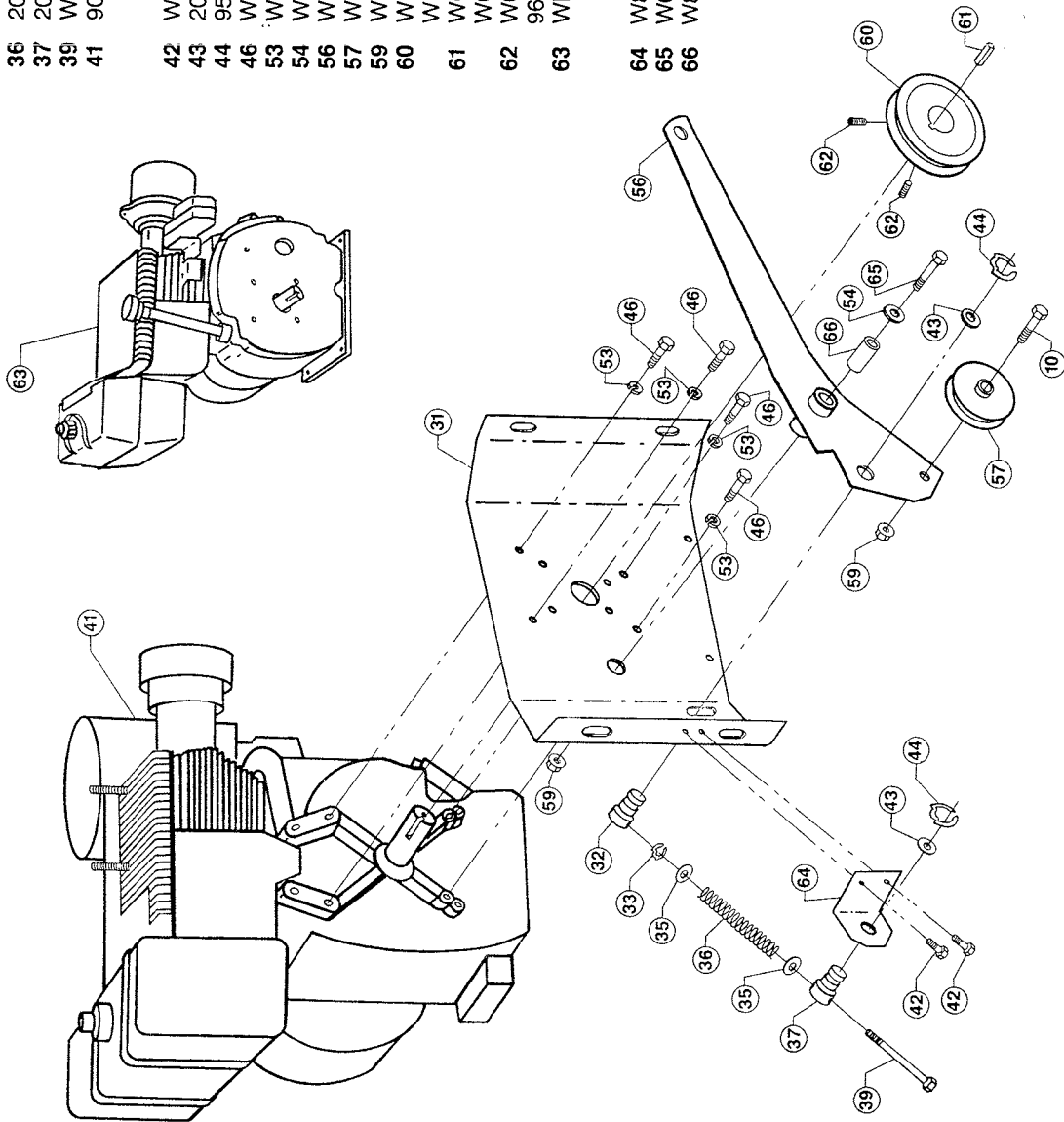


Ref. No.	Part No.	Description	Qty.
14	W0335005P	Whiz Nut — 5/16" -18	9
18	W02050512P	Hex Head Cap Screw (GR5) — 5/16" -18 x 1 1/2"	8
21	W2050754P	Front Stand	1
22	W2000208P	Axle Bracket Assembly	2
23	W2050907	Chipper Discharge Door Assembly	1
24	W20009001P	Axle Spacer	2
25	W2000900P	Axle	1
26	WSPW204	Plastic Wheel — 10" x 4" offset	2
27	WPW625019	Pushnut — fastener	2
28	W9565K23	Plastic Plug — front stand	2
29	WFP164	Plastic Plug — axle	2
30	W02050533	Hex Head Cap Screw (GR5) — 5/16" -18 x 3 3/4"	1

Ref. No.	Part No.	Description	Qty.
12	W02260403P	Flat Head Screw (Allen head) — 1/4" -20 x 3/4"	3
19	W0335004P	Whiz Nut — 1/4" -20	5
47	W2030902	Chipper Anvil	1
48	W2050904	Hopper Assembly — chipper	1
50	W08901	Flexible Draw Latch	1

SUPER TOMAHAWK Chipper/Shredder

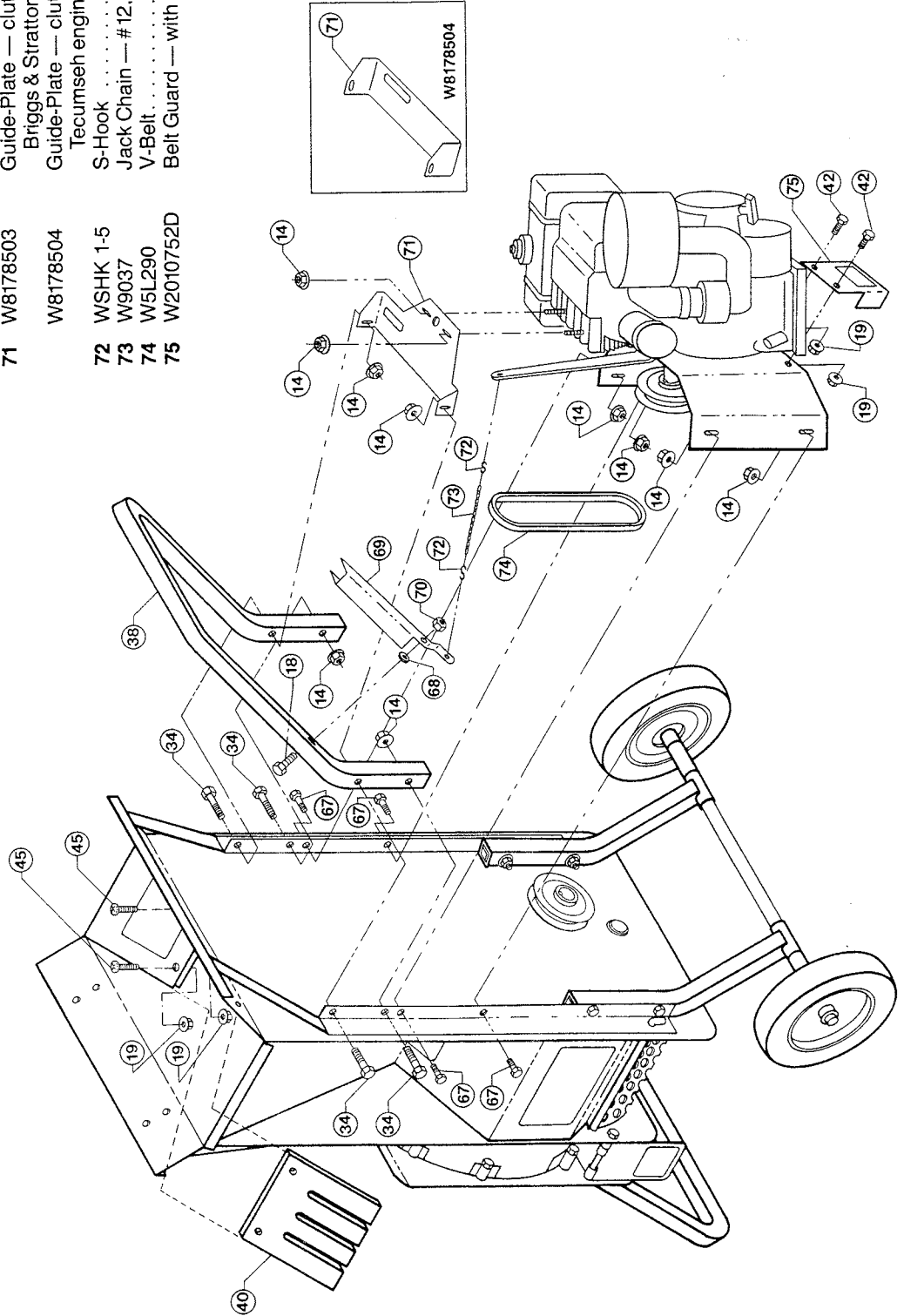
Ref. No.	Part No.	Description	Qty.
10	W02050613	Hex Head Cap Screw (GR5) — 3/8" - 16 x 1 3/4"	1
31	W8178502FP	Engine Mounting Plate	1
32	20505	Pivot — threaded	1
33	9514	Retaining Ring	1
35	20546	Washer	2
36	20544	Spring	1
37	20504	Pivot	1
39	W8178508	Adjustment Bolt — belt tension	1
41	9080B	Briggs & Stratton Engine — 8 Horsepower, air cooled, horizontal shaft, recoil starting, Model 190412, Type 3020-01	1
42	W02050403P	Hex Head Cap Screw — 1/4" - 20 x 3/4"	2
43	20554	Washer	2
44	9515	Retaining Ring	2
46	W02050503FP	Hex Head Cap Screw — 5/16" - 24 x 3/4"	4
53	W0405005P	Lockwasher — 5/16"	4
54	W0420006	Flat Washer — 3/8"	1
56	W8178506P	Clutch Arm	1
57	WF5216	Idle Pulley	1
59	W0335006P	Whiz Nut — 3/8" - 16	2
60	WBC40X1	Pulley — engine, 8HP Briggs & Stratton	1
	WBC40X75	Pulley — engine, 5HP Tecumseh	1
61	W06273	Key — 1/4" x 1/4" x 1 1/4", 8HP Briggs & Stratton	1
	W06274	Key — 3/16" x 3/16" x 1 1/4", 5HP Tecumseh	1
62	W02350401	Set Screw — 1/4" - 28 x 1/4", 8HP Briggs & Stratton	2
	9677	Set Screw — 5/16" - 18 x 3/8", 5HP Tecumseh	2
63	WH5065499P	Tecumseh Engine — 5 Horsepower, air cooled, horizontal shaft, recoil starting, Model H50, Serial No. 65499P	1
64	W8178509	Angle Mount	1
65	W02050621P	Hex Head Cap Screw — 3/8" - 16 x 2 1/4"	1
66	W8178510	Pivot Bushing	1



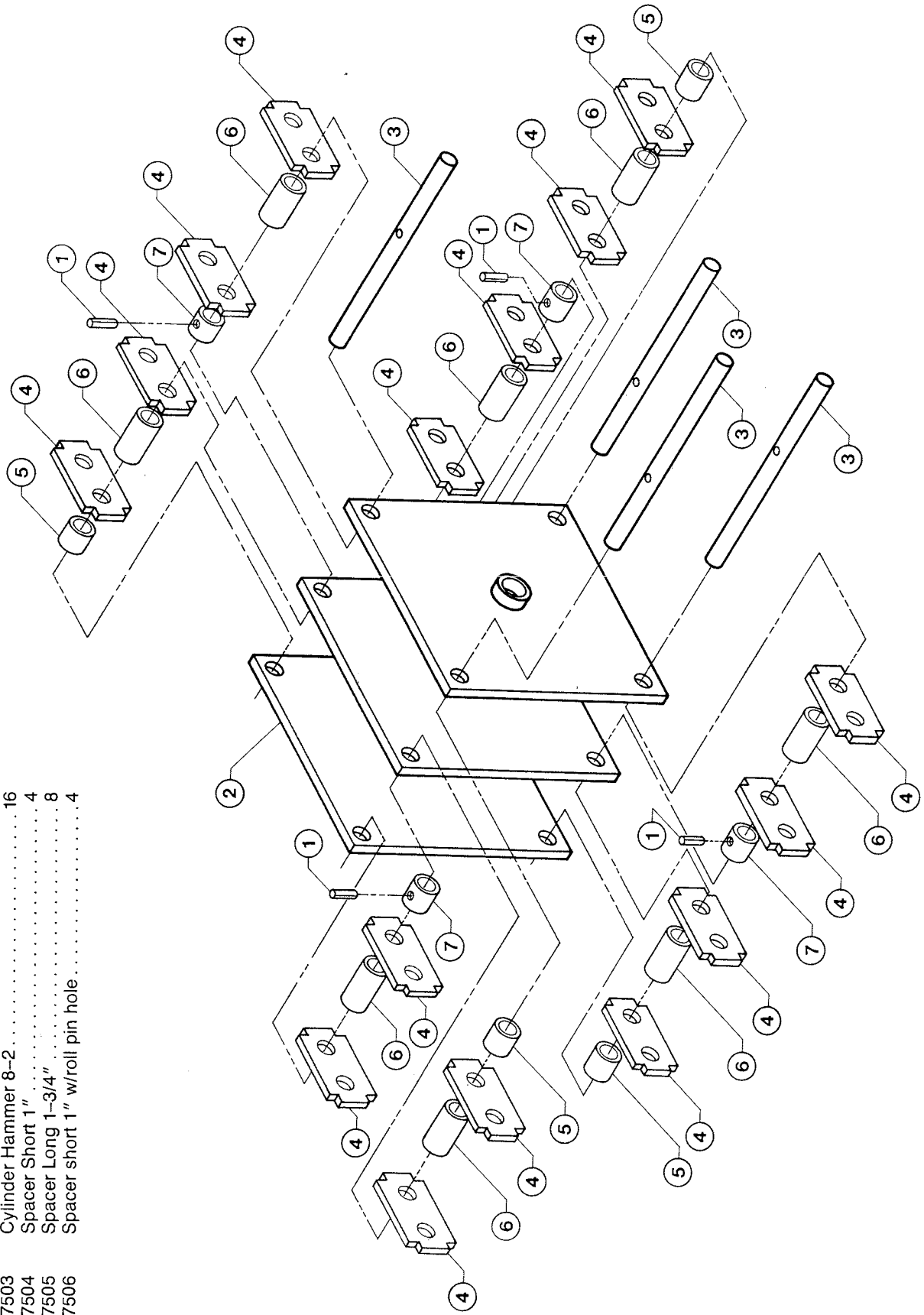
SUPER TOMAHAWK Chipper/Shredder

DRAWING FIVE

Ref. No.	Part No.	Description	Qty.
14	W0335005P	Whiz Nut — 5/16" -18	10
18	W02050512P	Hex Head Cap Screw (GR5) — 5/16" -18 x 1 1/2"	1
19	W0335004P	Whiz Nut — 1/4" -20	4
34	W02050513P	Hex Head Cap Screw (GR5) — 5/16" -18 x 1 3/4"	4
38	W2050733P	Handle	1
40	W2050762	Retainer Flap	1
42	W02050403P	Hex Head Cap Screw — 1/4" -20 x 3/4"	2
45	W02210403P	Screw — phillips head, 1/4" -20 x 3/4"	2
67	W02050510	Hex Head Cap Screw — 5/16" -18 x 1"	4
68	W0420005P	Washer — 5/16"	1
69	W8228503D	Clutch Lever — with operating decal	1
70	W0310005P	Locknut — two-way, 5/16" -18	1
71	W8178503	Guide-Plate — clutch arm (for 8HP Briggs & Stratton engine only)	1
	W8178504	Guide-Plate — clutch arm (for 5HP Tecumseh engine only)	1
72	WSHK 1-5	S-Hook	2
73	W9037	Jack Chain — #12, 6" long	1
74	W5L290	V-Belt	1
75	W2010752D	Belt Guard — with safety decal	1



Ref. No.	Part No.	Description	Qty.
1	W20307507	Roll Pin 3/16" x 3/4"	4
2	W2030751	Cylinder Housing 8-2	1
3	W20307508	Cylinder Pin (1 hole)	4
4	W20307503	Cylinder Hammer 8-2	16
5	W20307504	Spacer Short 1"	4
6	W20307505	Spacer Long 1-3/4"	8
7	W20307506	Spacer short 1" w/roll pin hole	4



REPLACEMENT DECALS

Part No.	Description	Qty.
10221	Super Tomahawk "brand-name" decal	1
W2045-102	Operating Instructions Decal	1
W2045-122	Danger Decal on chipper feed hopper (chute)	1
W2045-116	Danger Decal on chipper blade access door	1
W2045-117	Danger Decal on chipper discharge door	1
W2045-121	Danger Decal inside chipper feed hopper, inside shredder feed hopper, and above shredder discharge screen (both sides)	4
10657	Clutch Lever decal	1
60074	Belt Cover decal	1

HOW TO FIND A PART

In this catalog, the Chipper/Shredder models are shown in various assembly groupings such as the Hopper-Assembly, Cylinder Assembly, Drive Shaft Assembly, etc. To find a part, locate the drawings for your particular model, then glance through the drawings to find the general location of the part in which you're interested. Specific parts information can then easily be found. Please note that some parts appear in more than one Figure because they are used in more than one assembly.

Each part or assembly shown in a Figure is identified by a "Ref. No." This Ref. No. also appears in the

first column of the parts list that accompanies the Figure. The second column of the list shows the Part No. given to that particular part. **Use this Part No. to order the part.** If a sub-assembly or assembly has no Part No., that assembly is sold only as separate unassembled items.

Under the "Description" of the part, the first words show the name of the part or assembly. Additional descriptive information is often given to identify the location or function of the part.

The fourth column shows how many of each part is used in the Figure.

HOW TO ORDER PARTS

To order replacement parts, look up the Part No. in this catalog and then write, giving the Part No., your Chipper/Shredder Serial No., and the quantity desired. Or, call your Garden Way Customer Service Representative on our **Toll-Free Number: 1-800-833-6990**. Pre-payment is not necessary unless the total order is a substantial amount. Call Customer Service for details on our payment plan and current pricing.

PLEASE NOTE

Some replacement parts that you receive may vary slightly in shape, color, or texture from the original parts. This is because certain parts are supplied to us by more than one manufacturer. Please be assured, however, that all parts must conform to our rigid quality specifications, and any slight variations will not affect the fit or performance of these parts.

GARDEN WAY MANUFACTURING CO.

102nd St. & 9th Ave.; Troy, NY 12180

(all states except Alaska call 1-800-833-6990) (In Alaska call collect 0-518-235-6010)

GARDEN WAY CANADA

514 Carlingview Dr.; Rexdale, Ontario M9W 5R3 (call collect 0-416-674-1502)