

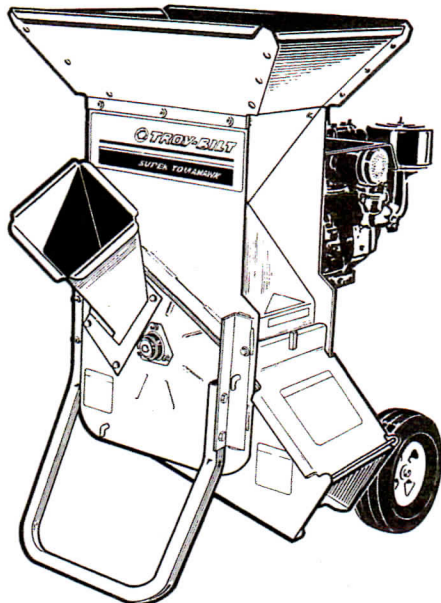


# Parts Catalog

## TOMAHAWK® Chipper/Shredder

Models

	4 HP	
1 Serial	5 HP	Model
472550101091	8 HP	47255





Ref. No.	Part No.	Description	Qty.	Ref. No.	Part No.	Description	Qty.
1	1900905	Main Frame Assembly with decals (for 4HP Model). Does not include the four hopper segments attached to top of assembly.....	1	21	97131	Flangette-Bearing (deep style).....	1
	1900904	Main Frame Assembly with decals (for 5HP and 8HP Models). Does not include the four hopper segments attached to top of assembly.....	1	22	90075	Screw, Phillips Hd. (Grade 5), 5/16"-18 x 3/4".....	9
2	1901003	Cylinder Shaft (for 4HP Model).....	1	23	1900403	Tunnel Service Door (for 4HP Model). Includes Decal (Ref. No. 24).....	1
	1900997	Cylinder Shaft (for 5HP and 8HP Models).....	1		1900404	Tunnel Service Door (for 5HP and 8HP Models). Includes Decal (Ref. No. 24).....	1
3	90013	Hex Hd. Cap Screw (Grade 5), 3/8 -16 x 2".....	2	24	1900064	Decal: "DANGER - Rotating Cutting Blades".....	1
4	9807	Locknut (2-way), 3/8"-16.....	2	25	1900220	Pivot Rod — Tunnel Service Door (for 4HP Model).....	1
5	1166-1	Shim, 1-1/64" I.D., .062" thick.....	As required		1900155	Pivot Rod — Tunnel Service Door (for 5HP and 8HP Models).....	1
	1166-2	Shim, 1-1/64" I.D., .030" thick.....	As required	26	92020	Push Nut, 3/8".....	2
	1166-3	Shim, 1-1/64" I.D., .015" thick.....	As required	27	1900405	Tunnel Segment — Chipper Side (for 4HP Model). Includes Decal (Ref. No. 29).....	1
	1166-5	Shim, 1-1/64" I.D., .005" thick.....	As required		1900406	Tunnel Segment — Chipper Side (for 5HP and 8HP Models). Includes Decal (Ref. No. 29).....	1
6	97132	Flangette-Bearing.....	3	28	1900407	Tunnel Segment — Engine Side (for 4HP Model). Includes Decal (Ref. No. 29).....	1
7	97130	Bearing, 1" (with Locking Collar and Set Screw).....	2		1900408	Tunnel Segment — Engine Side (for 5HP and 8HP Models). Includes Decal (Ref. No. 29).....	1
8	1900420	Locking Collar.....	2	29	1900067	Decal: "DANGER - Rotating Cutting Blades".....	2
9	1900421	Screw, Cap Hex Socket, 8-32 UNC x 5/8".....	2	30	1900063	Decal: "DANGER - Rotating Cutting Blades".....	1
10	9848	Whiz Nut, 5/16"-18.....	15	31	1900065	Decal: "DANGER - Rotating Cutting Blades".....	1
11	1900085	Washer (heavy), .385"-1.438" x 1.88".....	1	32	1816039	Decal: "DANGER - Rotating Chipper Blade".....	1
12	94022	Washer (disc spring), 3/8".....	1	33	1900276	Decal: Tomahawk Logo (for 4HP Model).....	1
13	90011	Hex Hd. Cap Screw (Grade 5), 3/8"-16 x 3/4".....	1		1900068	Decal: Super Tomahawk Logo (for 5HP and 8HP Models).....	1
14	97135	Midwest Conduit Plug, 7/8".....	1	34	1816037	Decal: "DANGER - Rotating Cutting Blades".....	1
15	90077	Carriage Bolt, 5/16" -18 x 3/4" (Grade 5).....	6	35	1900062	Decal: Operating Instructions.....	1
16	1900898	Pulley (lower).....	1				
17	....	This reference number not used					
18	....	This reference number not used					
19	....	Cylinder Assembly. For Part Number and Description see Drawing Five (for 4HP Model) or Drawing Six (for 5HP and 8HP Models).					
20	1900105	Shield Washer.....	1				

### ATTACHMENTS AND ACCESSORIES

A variety of attachments and accessories are available for your Chipper/Shredder. For further information regarding any of the items listed below, please contact the Factory (see back cover of this catalog) or your local authorized dealer.

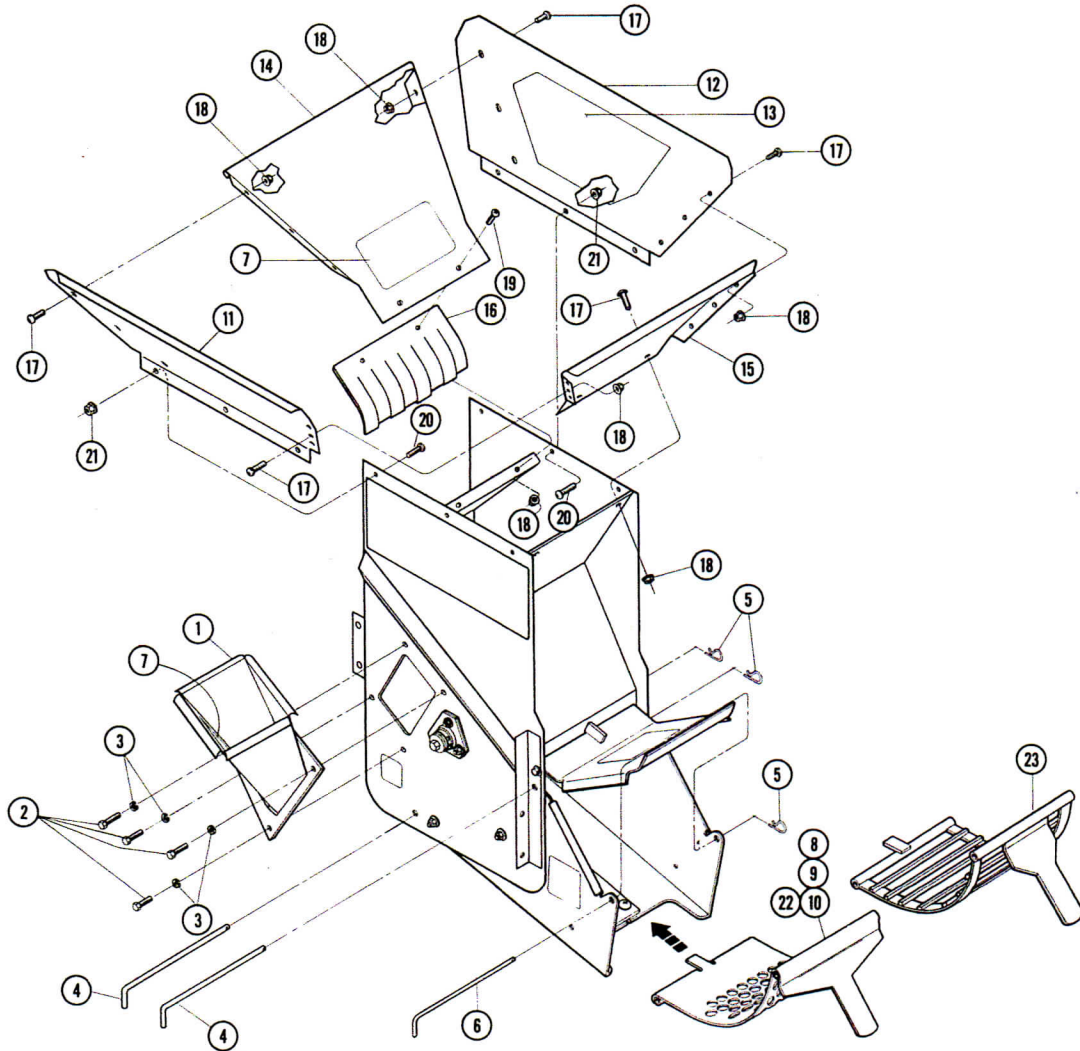
Part No.	Description	Qty.
5003	Safety Goggles – soft-sided, universal fit.....	1
10984	Tow Bar – lets you tow your Chipper/Shredder behind any tractor or riding mower equipped with a drawbar.....	1
11494	Chipper Blade Kit – includes mounting screws and locknuts.....	1
11501	Discharge Collection Bag – one bushel capacity.....	1
11520	Protective Cover – provides all-weather protection for your Chipper/Shredder.....	1
11525	Leaf Tamper – speeds processing of leaves and other bulky materials.....	1
....	Optional Discharge Screens – See Ref. Nos. 9, 10 and 22 on Page 3.....	As Required
....	Bar Grates – See Ref. No. 23 on Page 3.....	As Required

# DRAWING TWO

# TROY-BILT® TOMAHAWK® Chipper/Shredder

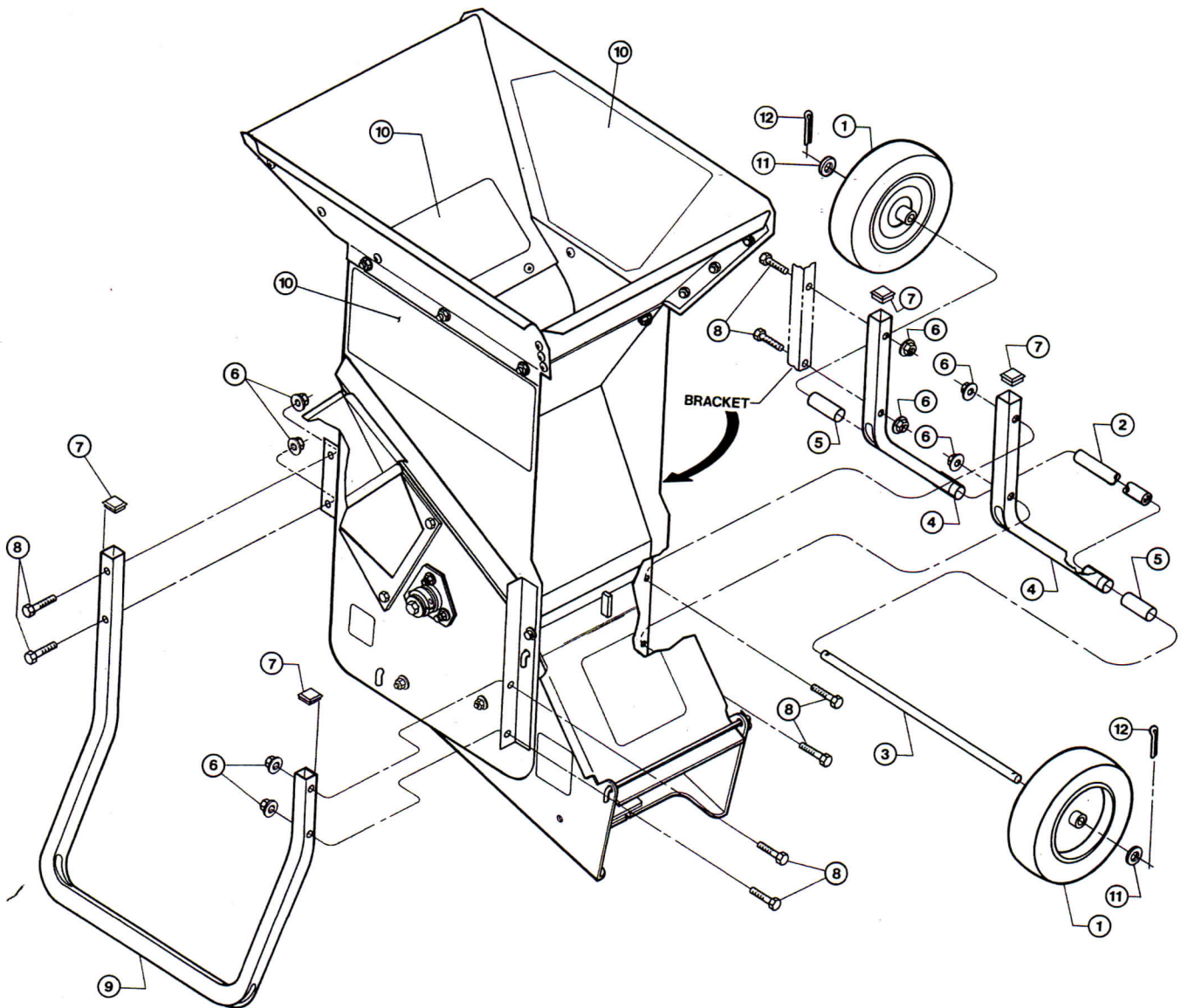
Ref. No.	Part No.	Description	Qty.
1	1900411	Chipper Chute (for 4HP Model). Includes Decal (Ref. No. 7) .....	1
	1900412	Chipper Chute (for 5HP and 8HP Models). Includes Decal (Ref. No. 7).....	1
2	90071	Hex Hd. Screw (Grade 5), 5/16"-18 x 5/8" .....	4
3	9912	Lockwasher, 5/16".....	4
4	1900320	Screen Rod (for 4HP Model).....	2
	1900170	Screen Rod (for 5HP and 8HP Models) .....	2
5	97111	Hair Pin (#3) .....	3
6	1900245	Service Door Rod (for 4HP Model) .....	1
	1900080	Service Door Rod (for 5HP and 8HP Models)....	1
7	1900275	Decal: "DANGER - Rotating Cutting Blades" (for 4HP Model Chipper Chute only) .....	1
	1816037	Decal: "DANGER - Rotating Cutting Blades" For 4HP Model (used with Ref. No.14).....	1
		For 5HP and 8HP Models (used with Ref. No.'s 1 and 14) .....	2
8	1900321	Discharge Screen, standard 3/4" dia. holes (for 4HP Model) .....	1
	1900172	Discharge Screen, standard 3/4" dia. holes (for 5HP and 8HP Models) .....	1
9	11531K	Discharge Screen, optional 3/8" dia. holes (for 4HP Model) .....	1
	11529K	Discharge Screen, optional 3/8" dia. holes (for 5HP and 8HP Models) .....	1
10	11532K	Discharge Screen, optional 1" dia. holes (for 4HP Model) .....	1

Ref. No.	Part No.	Description	Qty.
10	11530K	Discharge Screen, optional 1" dia. holes (for 5HP and 8HP Models) .....	1
11	1900160010	Hopper Segment - Chipper Side .....	1
12	1900413	Hopper Segment - Engine Side Includes Decal (Ref No. 13) .....	1
13	1900062	Decal: Operating Instructions.....	1
14	1900414	Hopper Segment - Left Side (for 4HP Model). Includes Decal (Ref. No. 7) .....	1
	1900415	Hopper Segment - Left Side (for 5HP and 8HP Models). Includes Decal (Ref. No. 7)....	1
15	1900244010	Hopper Segment - Right Side (for 4HP Model) .....	1
	1900157010	Hopper Segment - Right Side (for 5HP and 8HP Models) .....	1
16	1900331	Retainer Flap (for 4HP Model) .....	1
	1900079	Retainer Flap (for 5HP and 8HP Models) .....	1
17	90074	Screw, Phillips Hd. (Grade 5), 1/4"-20 x 1/2" ..	14
18	9844	Whiz Nut, 1/4"-20.....	16
19	90076	Screw, Phillips Hd. (Grade 5), 1/4"-20 x 3/4" ....	2
20	90075	Screw, Phillips Hd. (Grade 5), 5/16"-18 x 3/4" .....	6
21	9848	Whiz Nut, 5/16"-18 .....	6
22	11573K	Discharge Screen, optional, 1-3/4" dia. holes (for 4HP Model) .....	1
	11574K	Same as above, but for 5HP and 8HP Models....	1
23	11575K	Bar Grate, optional (for 4HP Model).....	1
	11576K	Same as above, but for 5HP and 8HP Models....	1



Ref. No.	Part No.	Description	Qty.
1	11592	Tire/Wheel Assembly, gray .....As required	
2	1908153	Axle Spacer, long (non-electric only).....1	1
3	1908150	Axle.....1	1
4	1900046	Axle Bracket Assembly.....2	2
5	1900132	Axle Spacer, short.....2	2
6	9848	Whiz Nut, 5/16"-18.....8	8
7	97136	Plastic Plug.....4	4

Ref. No.	Part No.	Description	Qty.
8	9466	Hex Hd. Cap Screw (Grade 5), 5/16"-18 x 1-1/2".....8	8
9	1900182	Front Stand.....1	1
10	....	Decals: See Drawings One and Two for Part Numbers and Descriptions.	
11	1908148	Washer, 5/8".....2	2
12	03204	Cotter Pin.....2	2

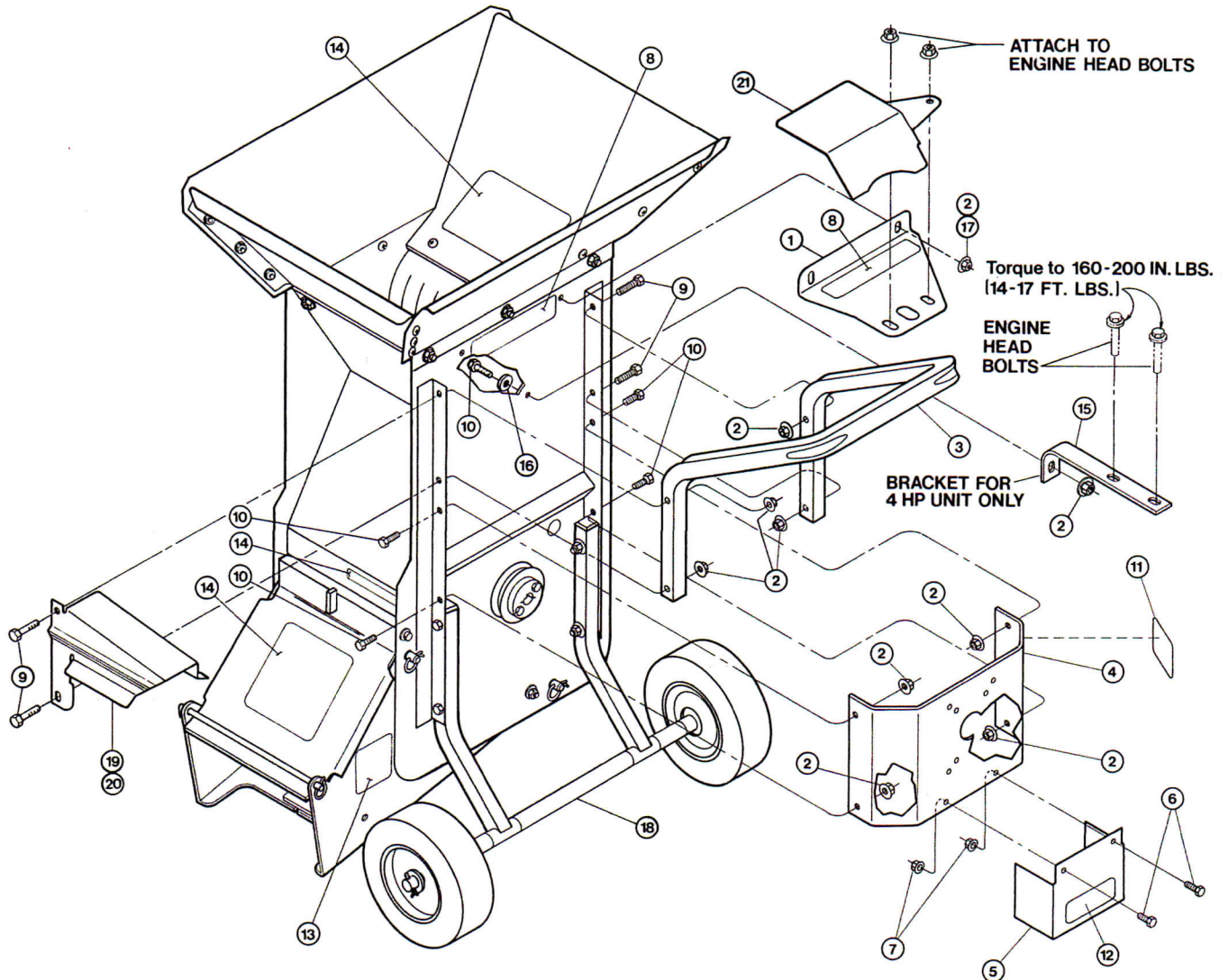


# DRAWING FOUR

# TROY-BILT® TOMAHAWK® Chipper/Shredder

Ref. No.	Part No.	Description	Qty.
1	1900908	Guide Plate (for 8HP Model only) Includes decal (Ref. No. 8).....	1
2	9848	Whiz Nut, 5/16"-18: For 4HP Model ..... For 5HP Model ..... For 8HP Model .....	9 8 12
3	1900179	Handle .....	1
4	1900387	Engine Mount Plate w/decal (Ref. No. 11) ..	1
5	1900417	Belt Guard w/decal (Ref. No. 12) .....	1
6	9780	Hex Hd. Screw (Grade 5), 1/4"-20 x 5/8".....	2
7	9844	Whiz Nut, 1/4"-20.....	2
8	1900066	Decal: "WARNING - Avoid Fire Hazard" ....	1
9	90009	For 4 and 5HP Models: Hex Hd. Screw (Grade 5), 5/16"-18 x 1-3/4" .....	4
	9466	For 8HP Model: Hex Hd. Screw (Grade 5), 5/16"-18 x 1-1/2" .....	4
10	90008	Hex Hd. Screw (Grade 5), 5/16"-18 x 1": For 4HP Model ..... For 5HP and 8HP Models .....	5 4

Ref. No.	Part No.	Description	Qty.
11	1900189	Decal: "DANGER - Rotating Cutting Blades Slow Gradually" .....	1
12	60074	Decal: "WARNING - Secure Belt Cover" ....	1
13	1900067	Decal: "DANGER - Rotating Cutting Blades" .....	1
14	....	Decals: See Drawings One and Two for Part Numbers and Descriptions.	
15	1900325010	Engine Brace (for 4HP Model) .....	1
16	9902	Washer, flat, 5/16" (for 4HP Model).....	1
17	90075	Screw, Phillips Hd. (Grade 5), 5/16"-18 x 3/4" .....	2
18	....	Axle Spacer, long (non-electric only). See Drawing Three for Part No./Description.	
19	1908109010	Muffler Guard (for 4HP Model) .....	1
20	1908108010	Muffler Guard (for 5HP Model) .....	1
21	1908110010	Muffler Guard (for 8HP Model) .....	1

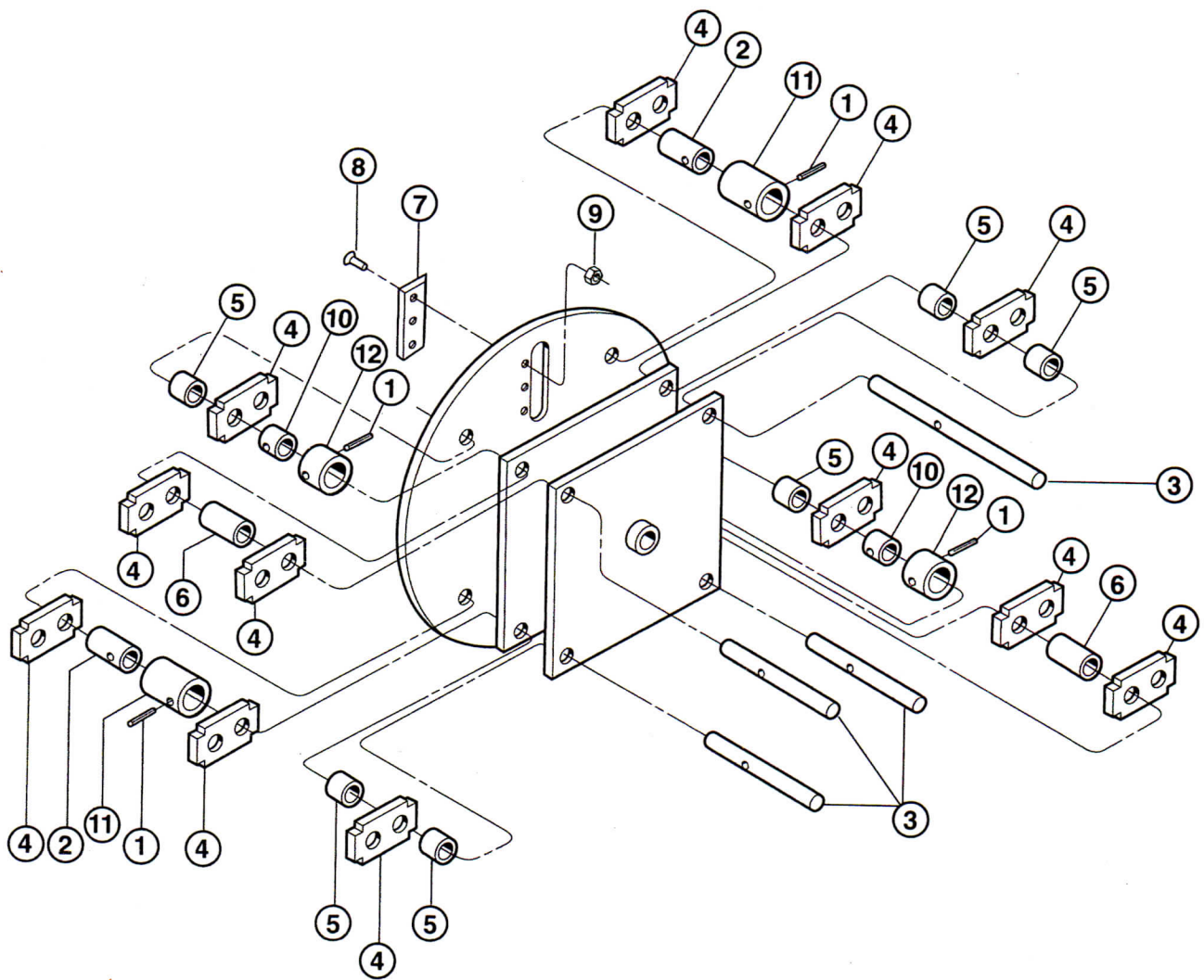


Cylinder Assembly — 4HP Model Only

Ref. No.	Part No.	Description	Qty.
1	11536	Roll Pin, 3/16" x 3/4". Includes four roll pins and tube of Locktite 242 thread-locking compound (see Note below).....	4
2	1908127	Spacer, long (with roll pin hole).....	2
3	1908135	Cylinder Pin (with roll pin hole).....	4
4	1900102	Cylinder Hammer.....	12
5	1900388	Spacer, short.....	6
6	1900311	Spacer, long.....	2
7	1900104	Chipper Blade.....	1

Ref. No.	Part No.	Description	Qty.
8	1900784	Flat Hd. Screw (Allen Hd.), 1/4"-20 x 1-1/4".....	3
9	1908125	Locknut (Nylon), 1/4"-20.....	3
10	1908126	Spacer, short (with roll pin hole).....	2
11	1908129	Outer Sleeve, long (with roll pin hole).....	2
12	1908128	Outer Sleeve, short (with roll pin hole).....	2
....	1900826	Cylinder Assembly (Complete). Includes Ref. No.'s 1 through 12 listed above.....	1

**NOTE:** When installing roll pin, apply liberal coating of Locktite 242 thread-locking compound to roll pin.

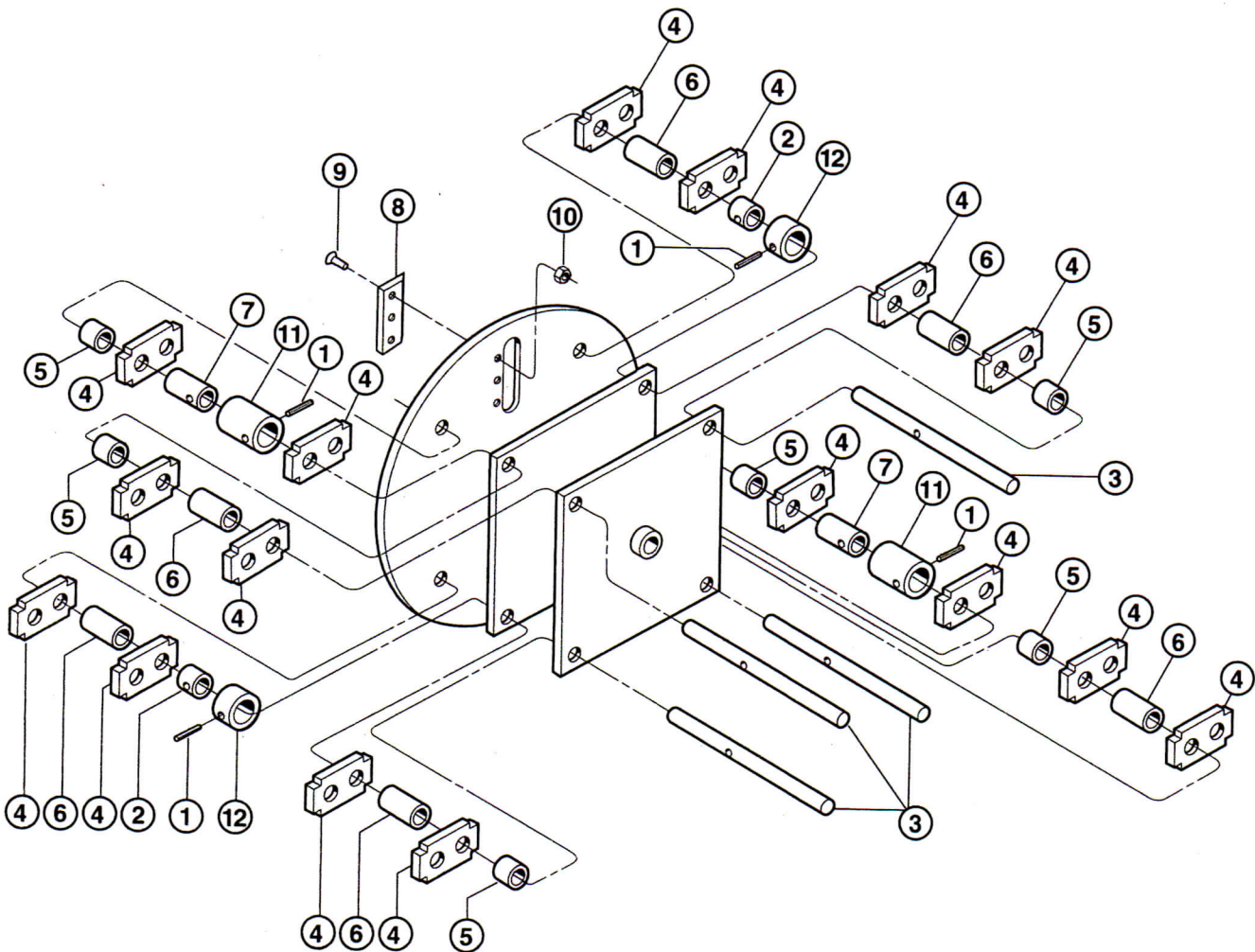


Cylinder Assembly — 4HP Model Only

Cylinder Assembly — 5HP & 8HP Models Only

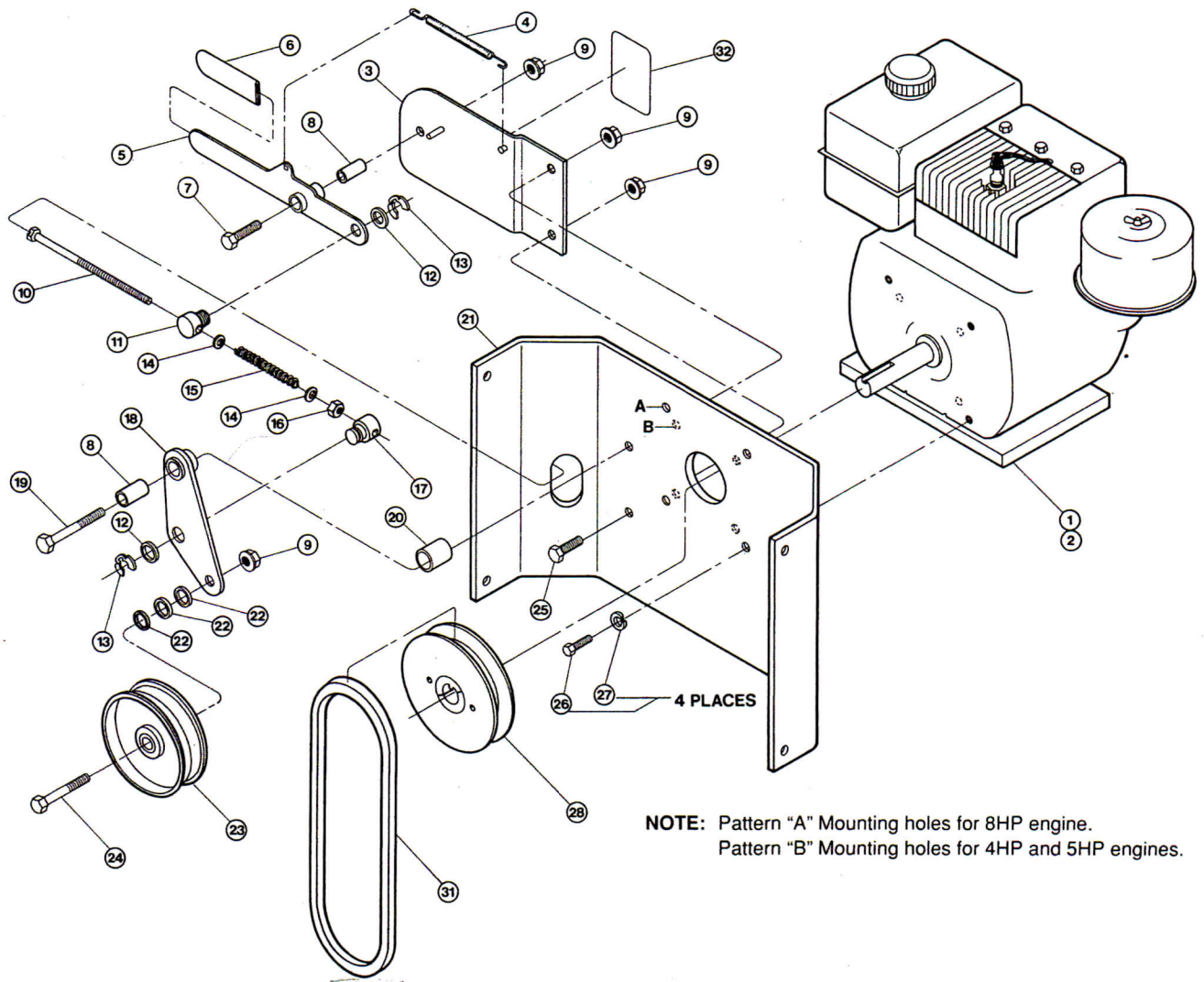
Ref. No.	Part No.	Description	Qty.	Ref. No.	Part No.	Description	Qty.
1	11536	Roll Pin, 3/16" x 3/4". Includes four roll pins and tube of Locktite 242 thread-locking compound (see Note below) .....4	4	8	1900104	Chipper Blade .....	1
2	1908139	Spacer, short (with roll pin hole) .....	2	9	1900784	Flat Hd. Screw (Allen Hd.), 1/4"-20 x 1-1/4" .....	3
3	1908146	Cylinder Pin (with roll pin hole) .....	4	10	1908125	Locknut (Nylon), 1/4"-20 .....	3
4	1900102	Cylinder Hammer .....	16	11	1908145	Outer Sleeve, long (with roll pin hole) .....	2
5	1900091	Spacer, short .....	6	12	1908143	Outer Sleeve, short (with roll pin hole) .....	2
6	1900090	Spacer, long .....	6	.....	1900828	Cylinder Assembly (Complete). Includes Ref. No.'s 1 through 12 listed above .....	1
7	1908141	Spacer, long (with roll pin hole) .....	2				

NOTE: When installing roll pin, apply liberal coating of Locktite 242 thread-locking compound to roll pin.



Cylinder Assembly — 5HP & 8HP Models Only





**NOTE:** Pattern "A" Mounting holes for 8HP engine.  
 Pattern "B" Mounting holes for 4HP and 5HP engines.

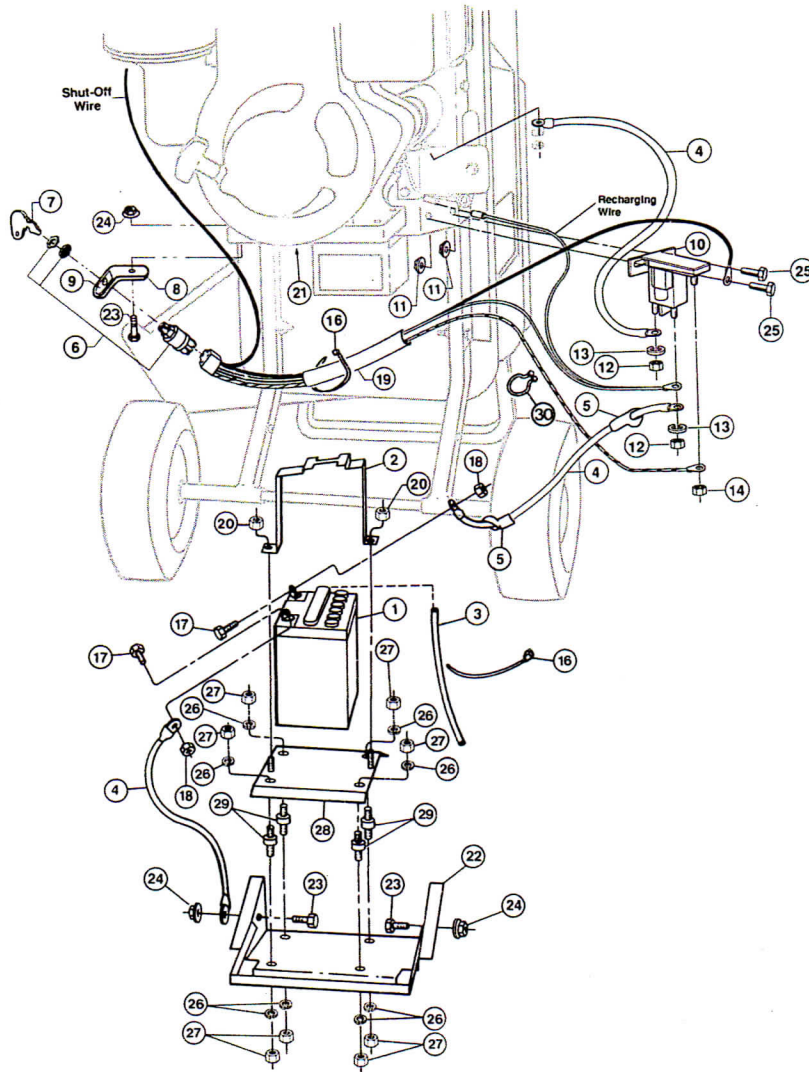
Ref. No.	Part No.	Description	Qty.
1	56021	4HP Tecumseh Engine (See Note 1): Standard Start	1
	56020	Standard Start	1
	56019	Electric Start	1
2		8HP Briggs & Stratton Engine (See Note 2): Standard Start I/C	1
	56018	Standard Start I/C	1
	56017	Electric Start I/C	1
3	1900418	Pivot Mounting Plate	1
4	97138	Spring (extension)	1
5	1900332	Clutch Lever	1
6	1900202	Vinyl Grip	1
7	90029	Hex Hd. Cap Screw (Grade 5), 3/8"-16 x 1-1/4"	1
8	9060	Bushing	2
9	9831	Whiz Nut, 3/8"-16	4
10	1900195	Tension Screw	1
11	20504	Pivot (lower)	1
12	20546	Washer (pivot)	2
13	9532	Retaining Ring	2
14	20554	Washer	2
15	97137	Spring (compression)	1
16	03207	Locknut (Nylon), 1/4"-20	1

Ref. No.	Part No.	Description	Qty.
17	20505	Pivot (upper)	1
18	1900190	Idler Pivot Assembly	1
19	90072	Hex Hd. Cap Screw (Grade 5), 3/8"-16 x 2-1/4"	1
20	1900194	Spacer	1
21	1900387	Engine Mounting Plate w/ decal (Ref. No. 32)	1
22	20553	Bushing	3
23	97143	Idler Pulley	1
24	90013	Hex Hd. Cap Screw (Grade 5), 3/8"-16 x 2"	1
25	90073	Hex Hd. Cap Screw (Grade 5), 3/8"-16 x 7/8"	1
26	9655	Hex Hd. Cap Screw (Grade 5), 5/16"-24 x 3/4"	4
27	9912	Lockwasher (spring), 5/16"	4
28	1900898	Pulley (See Note 3)	1
29	....	This reference number not used	
30	....	This reference number not used	
31	97133	Belt	1
32	1900188	DECAL: Clutch Lever Operating Instructions	1

**NOTE 1:** Engine warranty service and repair parts are available from your local authorized Tecumseh Engine dealer.

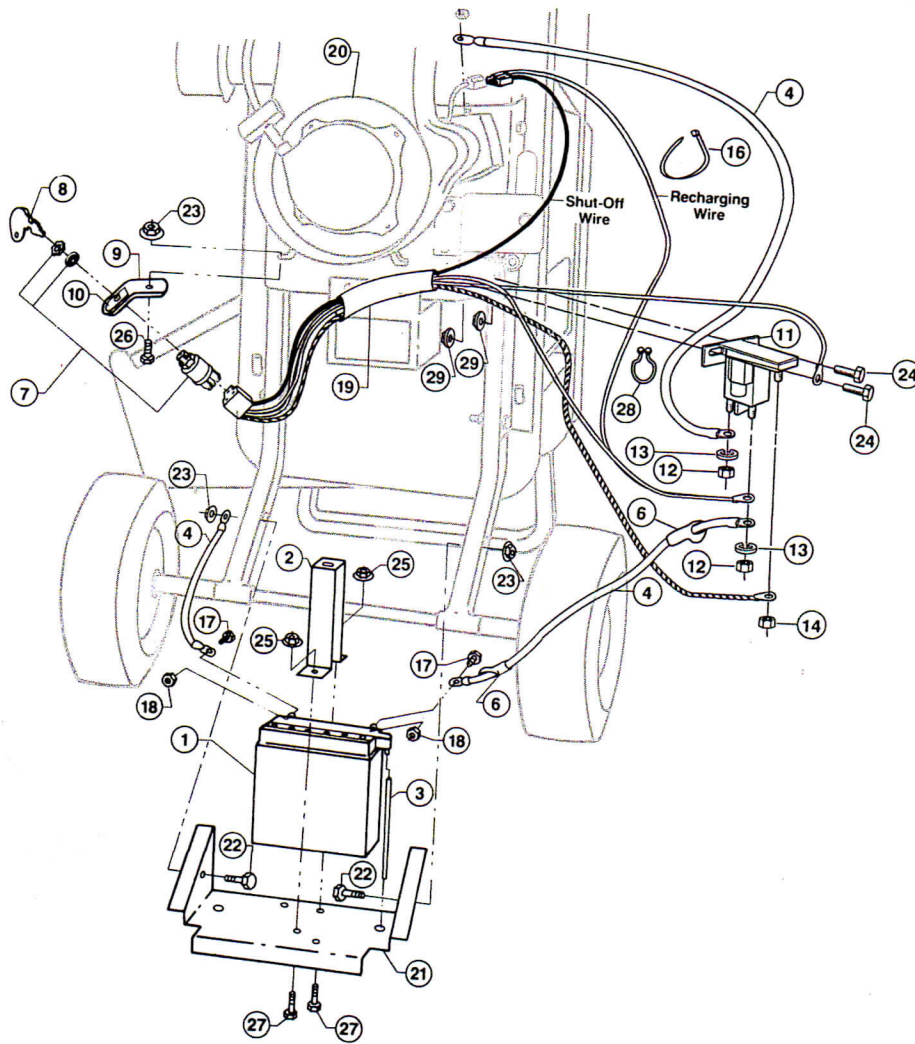
**NOTE 2:** Engine warranty service and repair parts are available from your local authorized Briggs & Stratton Engine dealer.

**NOTE 3:** Hub on pulley bushing faces *toward* engine on 4, 5 and 8HP models.



The 8HP Briggs & Stratton Electric Start System

Ref. No.	Part No.	Description	Qty.	Ref. No.	Part No.	Description	Qty.
1	9092B	Battery Kit – 12 volt, 6 cell. Includes hardware (Ref. No.'s 17 and 18) and vent tube (Ref. No. 3).....	1	17	9780	Screw – hex hd. flanged lock, 1/4"-20 x 5/8", connects battery cables to battery posts .....	2
2	2463	Battery Clamp .....	1	18	9800	Nut – hex hd., 1/4"-20 .....	2
3	9009	Vent Tube .....	1	19	1908119	Wire Harness and Connecting Terminal Assembly.....	1
4	96511	Battery Cable.....	3	20	03207	Nut – hex hd., locking 1/4"-20.....	2
5	9255	Rubber Boot – terminal insulating .....	2	21	56017	Engine – Briggs & Stratton, electric start model, I/C, 8HP .....	1
6	1908112	Keyswitch – ignition. Includes washer, mounting nut and pair of ignition keys ...	1	22	1900907010	Platform (Carrier) – for battery .....	1
7	96520	Key – ignition (pair included) .....	1	23	9466	Screw – hex hd. (Grade 5), 5/16"-18 x 1-1/2" .....	3
8	1900398	Keyswitch Plate with decal (Ref. No. 9) .....	1	24	9848	Nut – self-locking (whiz style), 5/16"-18 ...	3
9	1900945	Decal – on keyswitch plate.....	1	25	9780	Screw – hex hd. (Grade 5), 1/4"-20 x 5/8" (solenoid mounting) .....	2
10	96514	Solenoid.....	1	26	9910	Lockwasher – 1/4" .....	8
11	9844	Nut – self-locking (whiz style), 1/4"-20 .....	2	27	9800	Nut – hex hd., 1/4"-20 .....	8
12	9826	Nut – hex hd., 5/16"-24 .....	2	28	1900211010	Battery Mounting Plate .....	1
13	9912	Lockwasher – 5/16" .....	2	29	1900146	Iso Mounts .....	4
14	9853	Nut – hex hd., #10-32, with lockwasher.....	1	30	9265	Tie – plastic, twist lock.....	1
15	....	This reference number not used					
16	9266	Tie – plastic, wire retaining .....	2				



### The 5HP Tecumseh Electric Start System

Ref. No.	Part No.	Description	Qty.	Ref. No.	Part No.	Description	Qty.
1	9234	Battery – 12 volt. Does not include hardware (Ref. No.'s 17 and 18) or vent tube (Ref. No. 3)	1	18	....	Nut – hex hd., metric size M6 x 1 (not available from Garden Way); for replacement, order #9800 Nut 1/4"-20	2
2	20758	Battery Clamp	1	19	1908117	Wire Harness and Connecting Terminal Assembly	1
3	9247	Vent Tube	1	20	56019	Engine – Tecumseh, electric start model, 5HP	1
4	96511	Battery Cable	3	21	1900207010	Platform (Carrier) – for battery	1
5	....	This reference number not used		22	9466	Screw – hex hd., 5/16"-18 x 1-1/2"	2
6	9255	Rubber Boot – terminal insulating	2	23	9848	Nut – self-locking (whiz style), 5/16"-18	3
7	1908112	Keyswitch – ignition. Includes washer, mounting nut and pair of ignition keys	1	24	9780	Screw – hex hd. (Grade 5), 1/4"-20 x 5/8" (solenoid mounting)	2
8	96520	Key – ignition (pair included)	1	25	03207	Nut – Locknut (nylon) 1/4"-20	2
9	1900398	Keyswitch Plate with decal (Ref. No. 10)	1	26	9703	Screw – hex hd., 5/16"-18 x 3/4" (keyswitch mount 5 HP model only)	1
10	1900945	Decal – on keyswitch plate	1	27	9734	Bolt – hex hd., 1/4"-20 x 1"	2
11	96514	Solenoid	1	28	9265	Tie – plastic, twist lock	1
12	9826	Nut – hex hd., 5/16"-24	2	29	9844	Nut – self-locking (whiz style), 1/4"-20	2
13	9912	Lockwasher – 5/16"	2				
14	9853	Nut – hex hd., #10-32, with lockwasher	1				
15	....	This reference number not used					
16	9266	Tie – plastic, wire retaining	1				
17	....	Bolt – hex hd., metric size M6 x 1 x 12mm (not available from Garden Way); for replacement, order #9775 Bolt 1/4"-20 x 1/2"	2				