



PTO Chipper/Shredder Owners:

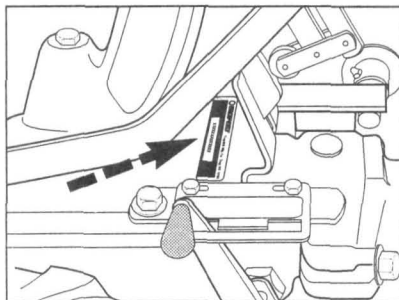


Your PTO Chipper/Shredder has a new-style “Dog Clutch” coupling that will only connect to a similar, new-style coupling in the Horse PTO tiller. If your tiller has an old-style dog clutch coupling, order and install the new Dog Clutch Kit #1902404 in your tiller and in the PTO tine attachment. Check the tiller Model/Serial Number break below to see if your tiller has the old-style dog clutch.

You must replace the Dog Clutch Coupling in your PTO Horse tiller transmission and the coupling in your PTO tine attachment if your tiller has a Model Number lower than the one shown below (#12067). Or if it has Model Number 12067, but is followed by a Serial Number lower than 0200101.

<i>Model#</i>	<i>Serial#</i>
12067	0200101

**To order Dog Clutch Coupling Kit #1902404,
Call our Parts Dept. Toll-Free: 1-800-648-6776.**



The Horse Tiller Model & Serial Number is on top of the transmission. Check your numbers against the one listed at left. The first five digits are the Model Number. The digits after the Model Number make up the Serial Number.

Garden Way Incorporated, 102nd St. & 9th Ave., Troy, New York 12180

For Technical Service call Toll-Free: 1-800-520-5520 — For Parts call Toll-Free: 1-800-648-6776

Garden Way Incorporated, 320 Van Sickle Road, Unit 12, St. Catharines, Ontario L2R 6P7 In Canada call Toll-Free: 1-800-225-3585

BrentChalmers.com