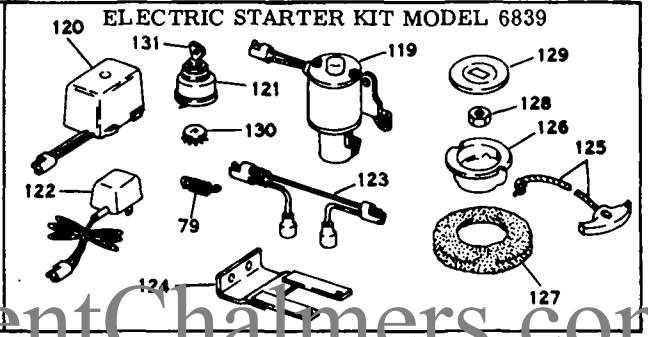
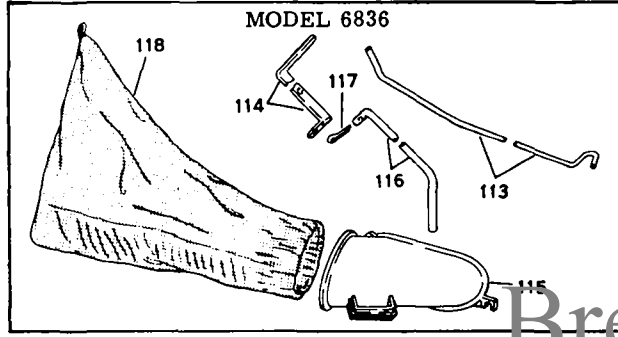
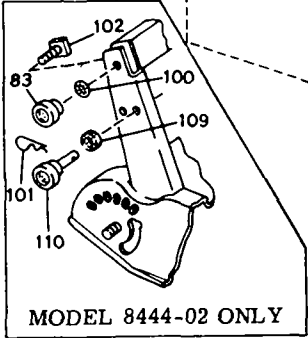
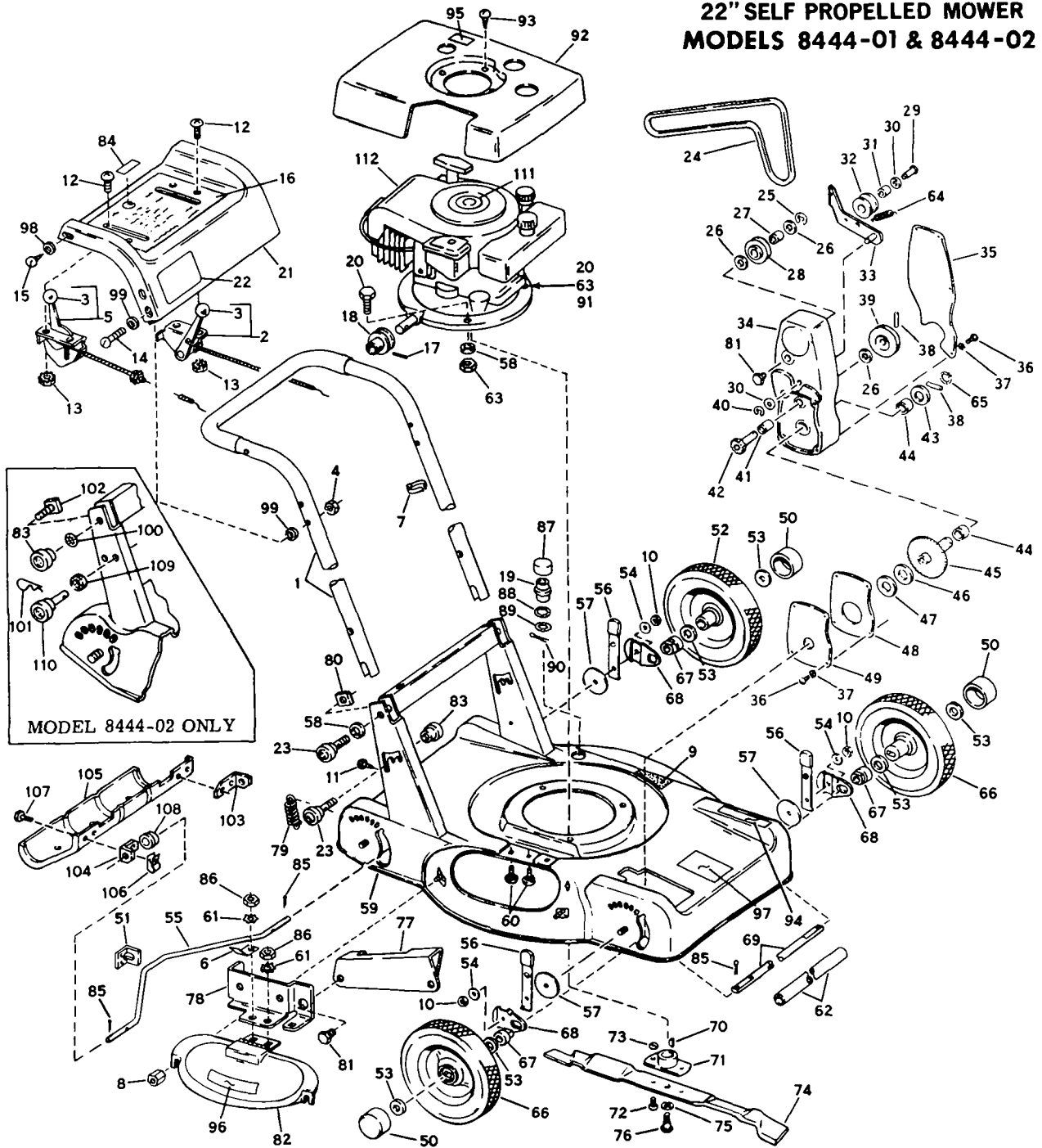


# ILLUSTRATED PARTS LIST

# BOLENS<sup>®</sup>

FMC CORPORATION<sup>®</sup>

22" SELF PROPELLED MOWER  
MODELS 8444-01 & 8444-02



BrentChalmers.com

PRINTED IN U.S.A.

FORM NO. P-5260 (1/1/72)  
Supersedes Form No. P-552479  
PRINTED AT BOLENS