



**FMC CORPORATION**

Outdoor Power Equipment Division  
Port Washington Wisconsin 53074

**MODEL 8535**

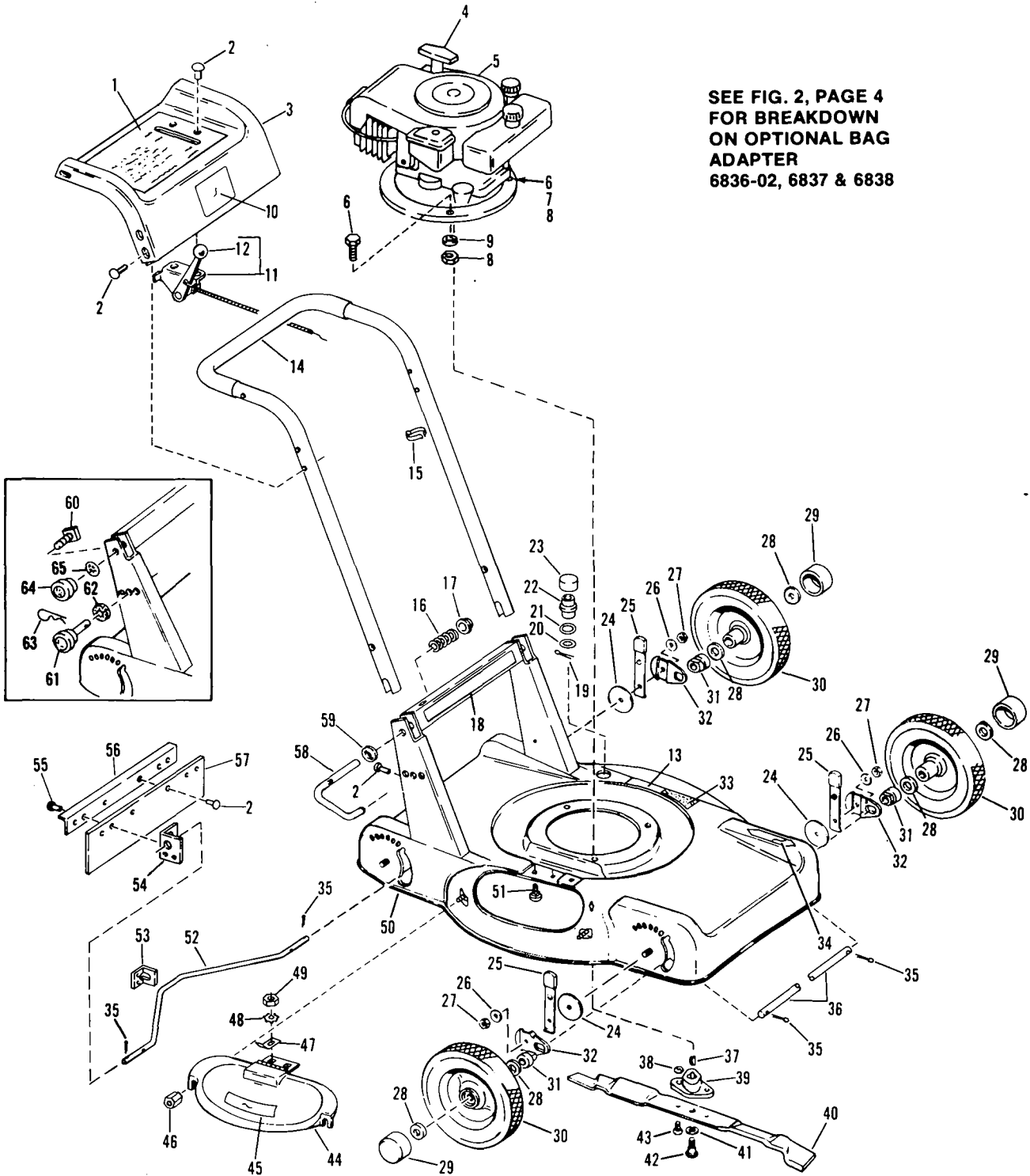
Serial Numbers  
0100101  
thru  
0299999

**BOLENS  
22 INCH  
MULCHING MOWER**

**PARTS LIST**

[BrentChalmers.com](http://BrentChalmers.com)

# BOLENS 22 INCH MULCHING MOWER



SEE FIG. 2, PAGE 4  
FOR BREAKDOWN  
ON OPTIONAL BAG  
ADAPTER  
6836-02, 6837 & 6838

Figure 1 COMPLETE ASSEMBLY

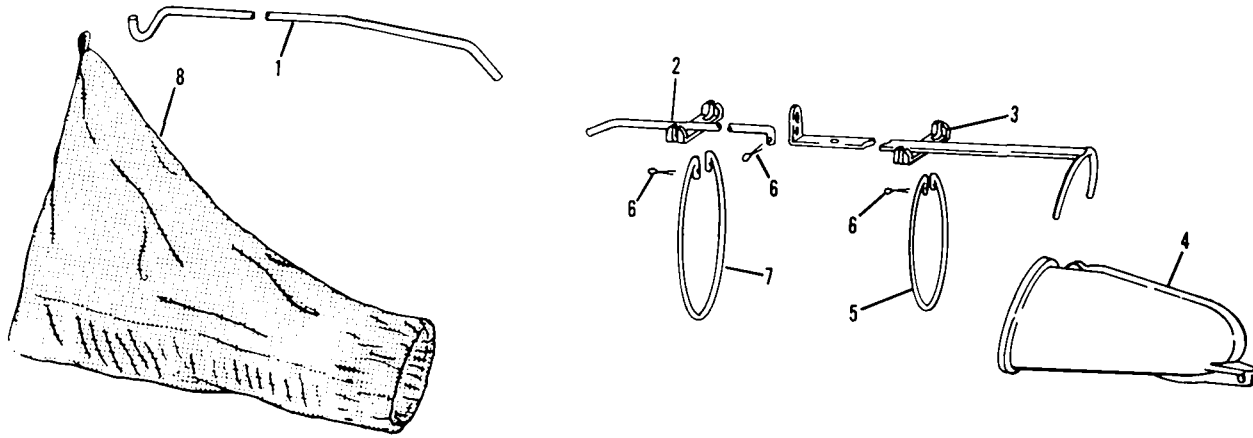
## MODEL 8535 – Serial Numbers 0100101 thru 0299999

REF. NO.	PART NO.	DESCRIPTION	NO. REQ'D.
1	1727366	Decal (Instructions) (1) . . . . .	1
	1729606	Decal (Instructions) (2) . . . . .	1
2	1727379	Rivet, Pop . . . . .	10
3	1727439	Console . . . . .	1
4	1727489	Handle, Starter . . . . .	1
5		Tecumseh Engine LAV 35 RM . . . . .	1
6	1100808	Capscrew, 5/16-18 x 1-1/4 . . . . .	3
7	1185261	Lockwasher, Dished 5/16 . . . . .	2
8	1110107	Lock Nut, 5/16-18 . . . . .	3
9	1100242	Lockwasher . . . . .	3
10	1727363	Decal, (Logo) . . . . .	1
11	1723664	Throttle Control (Incl. Ref. No. 12) (1) . . . . .	1
	1729726	Throttle Control (Incl. Ref. No. 12) (2) . . . . .	1
12	1724527	Knob Only . . . . .	1
13	1729580	Decal, (Step) (2) . . . . .	1
14	1727370	Handle & Cover Assy. . . . .	1
15	1894291	Handle Clip . . . . .	2
16	1727343	Compression Spring (1) . . . . .	2
17	1727342	Cap, Push On (1) . . . . .	2
18	1727369	Decal, (Mulching Mower) . . . . .	1
19	1100352	Cotter Pin, 1/8 x 1-1/2 . . . . .	1
20	1703073	Thrust Washer . . . . .	1
21	1719469	Wave Washer . . . . .	1
22	1719461	Washout Flange . . . . .	1
23	1719467	Protector Cap . . . . .	1
24	1711017	Flat Washer . . . . .	4
25	1894184	Lever Assy., Adjusting . . . . .	4
26	1100255	Flat Washer, 3/8 . . . . .	4
27	1185506	Jam Nut, 3/8-16 . . . . .	4
28	1890234	Flat Washer . . . . .	8
29	1723630	Hub Cap . . . . .	4
30	1725667	Wheel and Tire Assembly 8 x 1.75 . . . . .	4
31	1894240	Axle Bearing . . . . .	4
32	1894289	Arm, Wheel Mounting . . . . .	4

REF. NO.	PART NO.	DESCRIPTION	NO. REQ'D.
33	1722368	Foot Pad . . . . .	1
34	1727361	Decal (Height Adj.) . . . . .	4
35	1100349	Cotter Pin, 1/8 x 3/4 . . . . .	4
36	1723674	Front Axle . . . . .	1
37	1100275	Woodruff Key, 5/32 x 5/8 . . . . .	1
38	1110108	Lock Nut, 3/8-16 . . . . .	2
39	1727533	Coupling, Blade . . . . .	1
40	1893850	Cutter Blade . . . . .	1
41	1100245	Lockwasher, 1/2 . . . . .	1
42	1894062	Shoulder Bolt . . . . .	1
43	1100046	Capscrew, 3/8-16 x 1 . . . . .	2
44	1723673	Cover Assembly, Exhaust Chute . . . . .	1
45	1727365	Decal (Caution) . . . . .	1
46	1724059	Lock Nut, 1/4-20 Special . . . . .	2
47	1723667	Stop . . . . .	1
48	1103993	Shakeproof Lockwasher 1/4 . . . . .	2
49	1186229	Hex Nut, 1/4-20 . . . . .	2
50	1725661	Base Assembly . . . . .	1
51	1186068	Carriage Bolt, 1/4-20 x 5/8 . . . . .	2
52	1727924	Rear Axle . . . . .	1
53	1894351	Axle Bracket . . . . .	1
54	1727374	Bracket, Shield . . . . .	2
55	1185879	Rivet, Pop . . . . .	4
56	1727409	Support, Shield . . . . .	1
57	1727435	Shield . . . . .	1
58	1727332	Handle, Adjustment (1) . . . . .	2
59	1107382	Flat Washer, 5/16 (1) . . . . .	2
60	1725666	Plate Assy. (2) . . . . .	2
61	1725660	Knob (2) . . . . .	2
62	1726043	Sponge Washer (2) . . . . .	2
63	1703011	Spring Cotter (2) . . . . .	2
64	1723629	Knob (2) . . . . .	2
65	1177548	Shakeproof Lockwasher 5/16 (2) . . . . .	2
N.I.	1724422	Spray Paint, Aztec Gold	
N.I.	1725791	Spray Paint, Black	
N.I.	16014	Engine Oil, SAE 30	

\*Purchase Parts from your Tecumseh, Lauson-Power Products Outlet.

- (1) Serial Number 0100101 thru 0199999
- (2) Serial Number 0200101 thru 0299999



REF. NO.	PART NO.	DESCRIPTION	NO. REQ'D.
1	1723814	Grass Bag Hanger . . . . .	1
2	1726793	Extension Rod . . . . .	1
3	1726790	Bag Hanger . . . . .	1
4	1894112	Chute . . . . .	1
5	1726795	Ring . . . . .	1

REF. NO.	PART NO.	DESCRIPTION	NO. REQ'D.
6	1100346	Cotter Pin, 3/32 x 3/4 . . . . .	5
7	1726794	Ring . . . . .	1
8		Grass Bag, Model 6837 . . . . .	1
		Leaf Bag, Model 6838 . . . . .	1
N.I.	1724490	Wrench, 7/16 . . . . .	1

N.I. Not Illustrated

**Figure 2 BAG ADAPTER KIT-MODELS 6836-02, 6837 & 6838 (Optional)**