

Owner Manual with Parts List

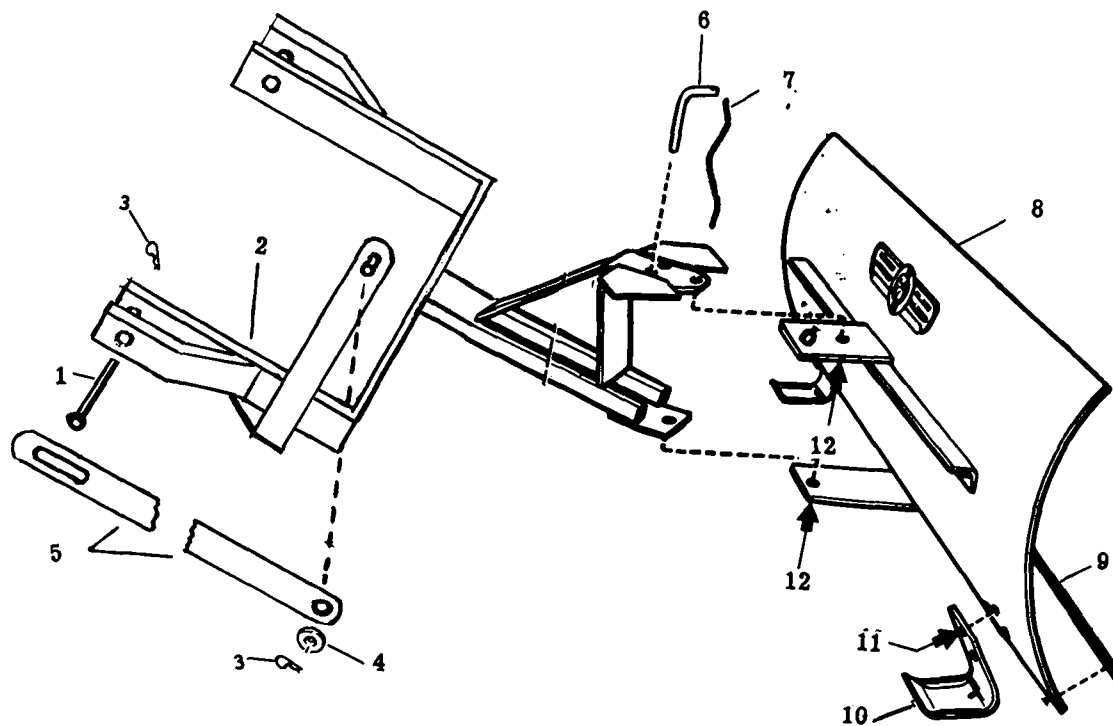
BOLENS**SNOW PLOW**

TYPE 18531-01

Align holes in front end of hitch with holes in brackets on back of blade with the upper bracket of blade between the lips of hitch. Secure with capscrews and lock nuts but do not tighten to the extent that the blade cannot pivot. Position arms at the rear end of hitch over the mounting extensions of the front tractor axle and secure with clevis pins and spring cotters. Insert stud on hitch lift arm into round hole of lift link, add flat washer and secure with spring cotter. Position slotted hole of lift link over stud on lower end of tractor tool lift lever.

Turn blade to desired angle, align holes and lock in position with pin. The shoes have slotted mounting holes so they can be raised or lowered to adjust the height of blade.

Ref. No.	Part No.	Description
1	1713501	Clevis Pin
2	1713499	Hitch
3	1703011	Spring Cotter
4	1107383	Flat Washer
5	1713498	Lift Link
6	310814	Pin
7	180173	Chain
8	990576	Blade
9	1700379	Scraper Blade
10	308812	Shoe
11	1111265	Carriage Bolt 5/16-18 x 3/4
12	1106987	Capscrew 1/2-13 x 1 1/4
	1110096	Lock Nut 1/2-13

**BOLENS DIVISION**

Port Washington - Wisconsin

