

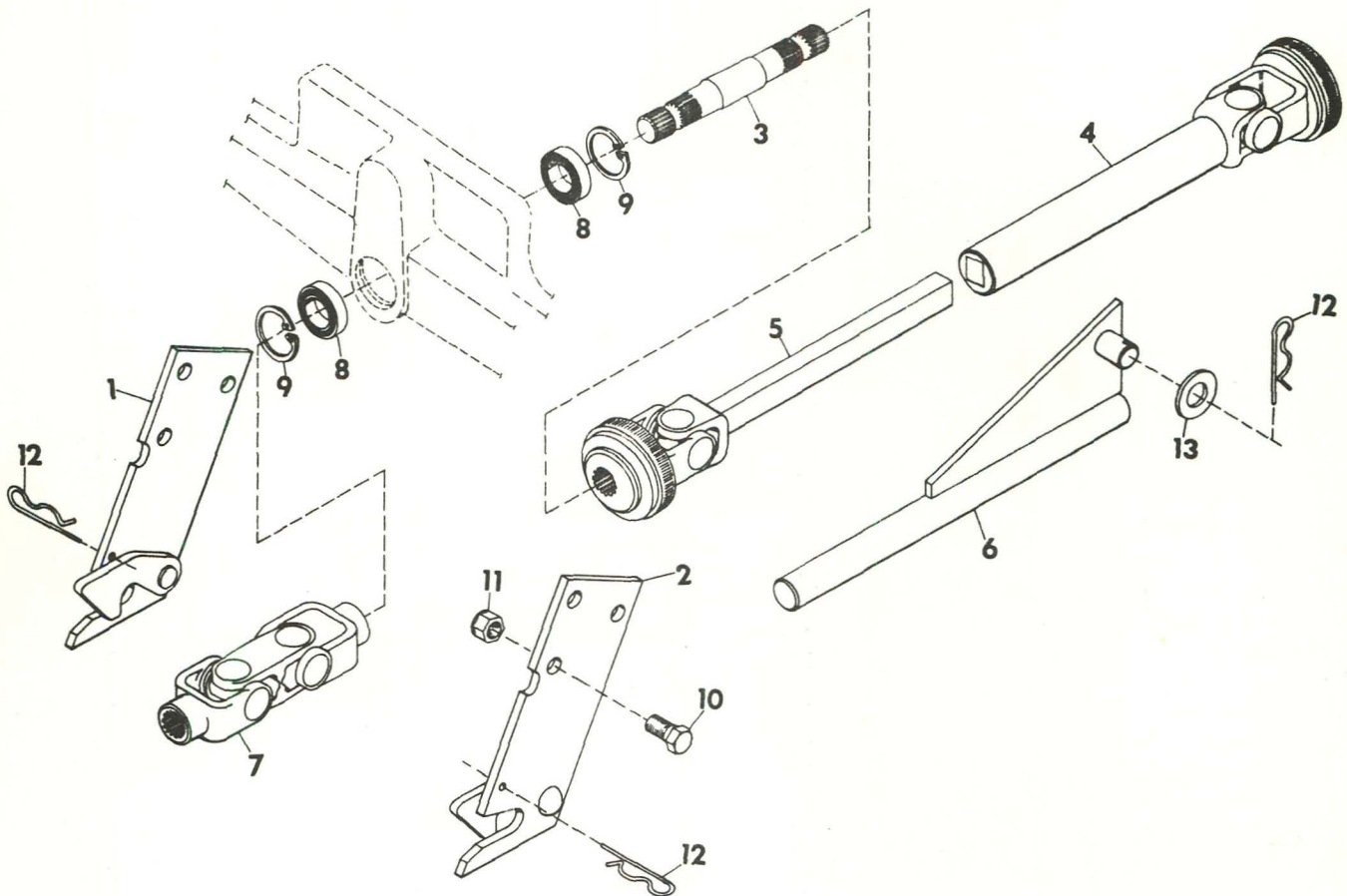


To continue its program of quality and design improvement, the manufacturer reserves the right to change specifications, design or prices without notice and without incurring obligation.

ILLUSTRATED PARTS LIST

FRONT DRIVE KIT

Model Number 19075E1
 Effective Date 12-15-71
 Form Number 20734P1



ITEM NO.	PART NO.	DESCRIPTION
1	11697A1	Front Attachment Brkt Weldmt RH
2	11698A1	Front Attachment Brkt Weldmt LH
3	18654P1	Front P.T.O. Shaft
4	18653P1	Front P.T.O. Prop Shaft
5	19074P1	Prop Shaft Sq Bar
6	11396A1	Push Rod Guide Weldment
7	15835A1	Double U Joint Assy
8	19072P1	Ball Bearing
9	19073P1	Retaining Ring
10	180173	1/2-13 x 1 Hex Hd Bolt
11	120378	1/2-13 Lt Semi Finished Hex Nut
12	10405P1	Hair Pin Cotter
13	131017	13/16 x 1-15/32 x .134 Flat Washer
NS	12134P1	Repair Kit For Universal Joint Rockwell Std
NS	20573P1	Repair Kit For Universal Joint Neapco

BrentChalmers.com