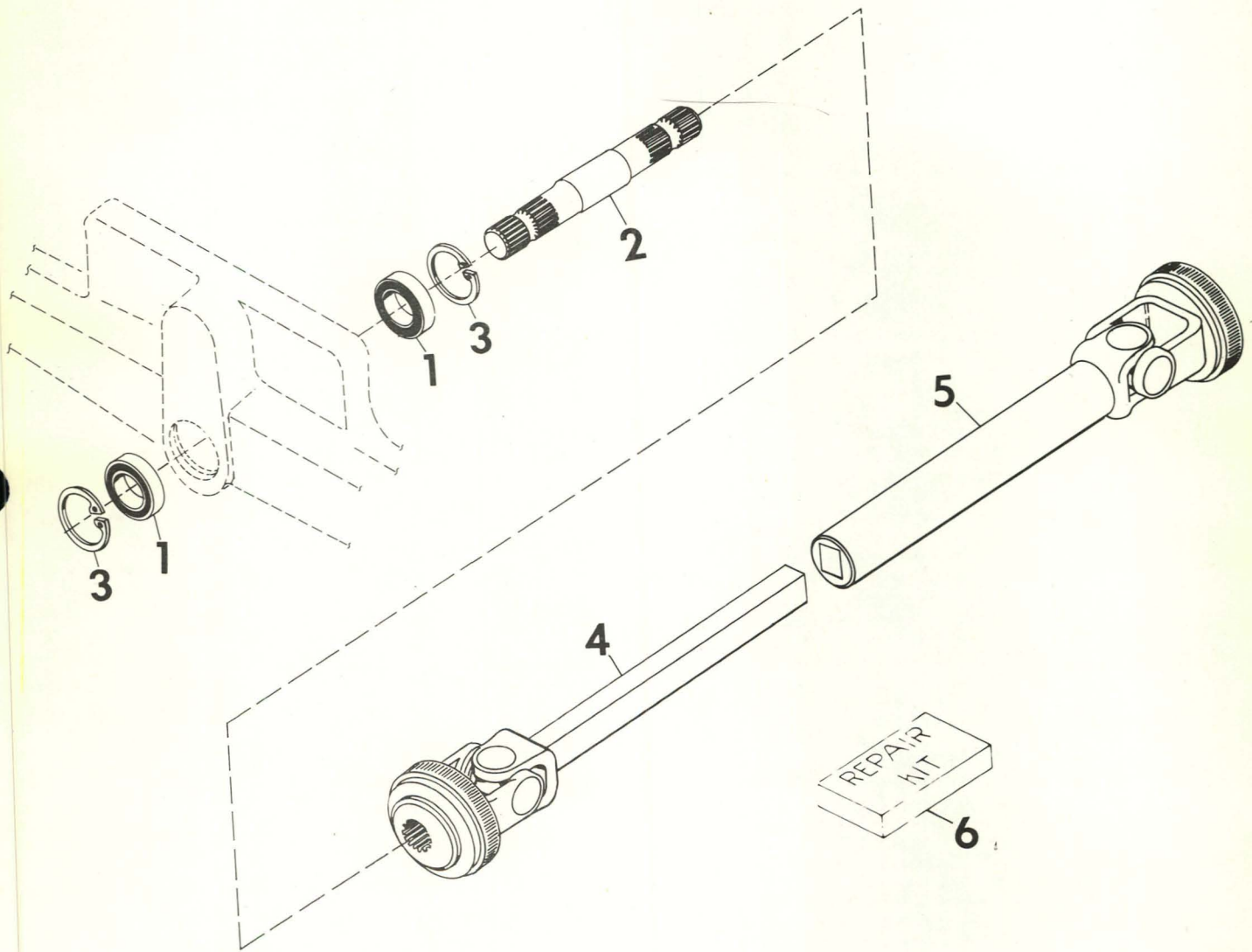




To continue its program of quality and design improvement, the manufacturer reserves the right to change specifications, design or prices without notice and without incurring obligation.

# ILLUSTRATED PARTS LIST

FRONT DRIVE KIT  
(FLAIL MOWER)  
Model No. 21126E1  
Form No. 21165E1



LINE ITEM

PART NUMBER

DESCRIPTION

|   |         |  |
|---|---------|--|
| 1 | 19072P1 | Bearing, Ball .984 x 2.047 x .590        |
| 2 | 18654P1 | Shaft, Front P.T.O.                      |
| 3 | 19073P1 | Ring, Retaining                          |
| 4 | 19074P1 | Shaft, Prop SQ. Bar                      |
| 5 | 18653P1 | Shaft, Front P.T.O. Prop                 |
| 6 | 12134P1 | Kit, Repair Universal Joint Rockwell STD |
|   | 20573P1 | Kit, Repair Universal Joint NEAPCO 1605x |