

**GRAVELY®**

**ILLUSTRATED  
PARTS LIST  
Commercial 10A  
& Commercial 12  
Tractors**

Prior to Serial Number J-66269

**▲ SAFETY MESSAGE ▲**

The product for which you have requested information or replacement parts is not a current product. The replacement models incorporate product designs, safety features, safety instructions or warnings which represent the latest "State Of The Art" developments. For your safety and those around you please contact your nearest Ariens/Gravely Dealer for a demonstration of the current product safety provisions and features.

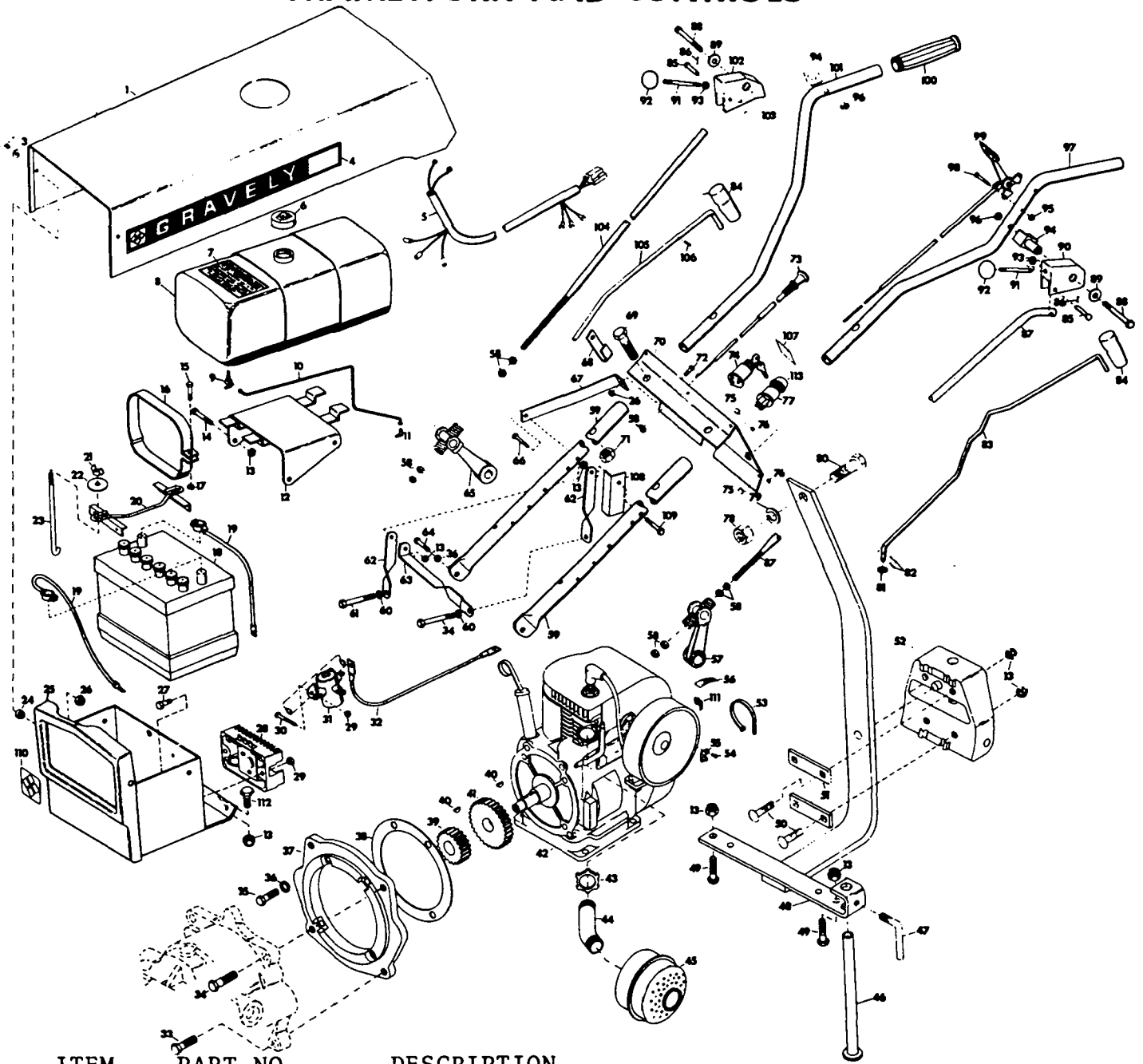
202029

For Models 15560E1 & 15561E1  
Form No. 5946F1 (4/70)  
Printed in U.S.A.  
[BrentChalmers.com](http://BrentChalmers.com)

## INDEX

	Page
FRAMEWORK AND CONTROLS	1
TRANSMISSION	4
DIFFERENTIAL	6

# FRAMEWORK AND CONTROLS

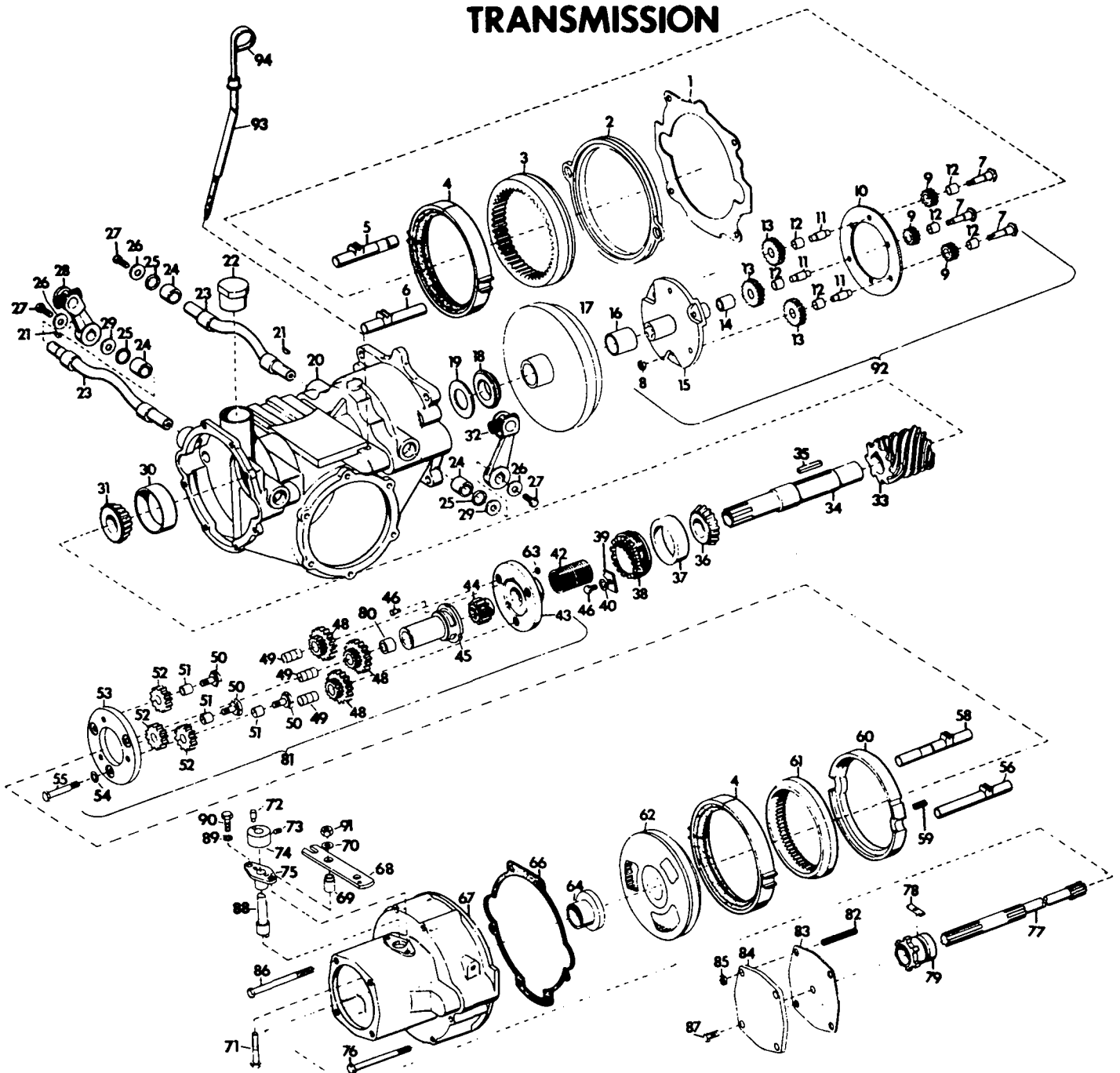


<u>ITEM NO.</u>	<u>PART NO.</u>	<u>DESCRIPTION</u>
1	10650P2	Hood (10650P2)
2	160556	1/4 x 1 Machine Screws
3	120392	9/32 Flat Washer
4	11904P1	Hood Decal (C-10A)
	12361P1	Hood Decal (C-12)
5	11951P1	Wiring Harness
6	10756P1	Tank Cap
7	11989P1	Electrical System Warning Decal
8	10636P1	Fuel Tank
9	10642P1	Shut-Off Valve
10	10868P1	Fuel Line Assembly
11	192135	Flared Tube 90 Elbow
12	10637A1	Fuel Tank Bracket Weldment
13	456004	3/8 Lock Nut
14	180129	3/8 x 1 7/8 Hex. Hd. Bolt
15	180022	1/4 x 1 He. Hd. Bolt
16	10640P1	Fuel Tank Strap

<u>ITEM NO.</u>	<u>PART NO.</u>	<u>DESCRIPTION</u>
17	9413314	1/4 Lock Nut
18	7274P1	Battery
NS	7270P1	Battery Electrolyte
19	10631P1	Battery Cable
20	10633P1	Battery Hold-Down Clamp
21	10413P1	1/4 Wing Nut
22	446354	5/16 Flat Washer
23	12894P1	Hold-Down Bolt
24	12117P1	Hood Pivot
25	10644A4	Grille Weldment
26	9419454	1/4 Lock Nut
27	180020	1/4 x 3/4 Hex. Hd. Bolt
28	11979P1	Regulator-Rectifier
29	120375	1/4 Hex. Nut
30	180042	1/4 x 1 3/4 Hex. Hd. Bolt
31	7277P1	Magnetic Switch
32	6981A2	Magnetic Switch to Starter Cable
33	180147	7/16 x 1 1/4 Hex. Hd. Bolt
34	180151	7/16 x 1 3/4 Hex. Hd. Bolt
35	180122	3/8 x 1 Hex. Hd. Bolt
36	131099	3/8 Lock Washer
37	10731P1	Engine Adapter
38	10732P1	Engine to Adapter Gasket
39	11006P1	Transmission Drive Gear
40	124546	#6 Woodruff Key
41	11005P1	Transmission Drive Gear
42	14927A1	Engine and Gear Assembly (C-10A)
	14924A1	Engine and Gear Assembly (C-12)
43	10866P1	Conduit Nut
44	10865P1	Muffler Tube
45	8227P1	Muffler
46	6027A1	Sprayer Tank Stand
47	13457P1	Adjusting Handle
48	11952A1	Rear Hitch Weldment
49	180126	3/8 x 1 1/2 Hex. Hd. Bolt
50	126416	3/8 x 1 3/4 Hex. Hd. Bolt
51	11955P1	Plate
52	11956P1	Hitch Casting
53	10629P1	Cable Tie
54	180016	1/4 x 1/2 Hex. Hd. Bolt
55	11340P1	Choke Control Bracket
56	10862P1	Air Cleaner Instruction Decal
57	11328A1	Hi-Lo Actuating Lever Assembly
58	124925	3/8 Hex. Jam Nut
59	10643P1	Tube Support
60	131100	7/16 Lock Washer
61	180149	7/16 x 1 1/2 Hex. Hd. Bolt
62	10655P1	Handle Brace
63	10656P1	Handle Cross Brace
64	180124	3/8 x 1 1/4 Hex. Hd. Bolt
65	11327A1	Fwd.-Rev. Actuating Lever Assembly
66	180134	3/8 x 2 1/2 Hex. Hd. Bolt
67	10996P1	Instrument Panel Brace
68	10684P1	2-Speed Control Retainer
69	443615	1/2 x 2 Hex. Hd. Bolt
70	10653P3	Instrument Panel
71	225857	1/2 Hex. Nut
72	180018	1/4 x 1 1/2 Hex. Hd. Bolt
73	10696P1	Choke Control
74	10713P2	Ignition Switch

<u>ITEM NO.</u>	<u>PART NO.</u>	<u>DESCRIPTION</u>
75	12115P1	Hood Bumper
76	12116P1	Hood Bumper Clips
77	10885P1	Starter Button
78	124589	5/8 Hex. Nut
79	121574	5/8 Lock Washer
80	271547	5/8 x 1 1/2 Hex. Hd. Bolt
81	120394	13/32 Flat Washer
82	121224	3/32 x 1 Cotter Pin
83	10932P1	Attachment Throwout Rod
84	10683P1	Handle
85	10672P1	Clevis Pin
86	177923	1/8 x 3/4 Cotter Pin
87	10733P1	Hi-Lo Control Rod
88	180192	1/2 x 3 1/2 Hex. Hd. Bolt
89	120396	17/32 Flat Washer
90	10666P1	Hi-Lo Shifter Rod Support
91	10669P1	Shifter Rod
92	10670P1	Control Knob
93	272123	7/16 Hex. Jam Nut
94	10667P1	Handle Lever Pivot
95	190254	#10 Lock Nut
96	435507	1/2 Lock Nut
97	10658P1	Handle Bar, L. H.
98	436738	#10 x 1 1/2 Machine Screw
99	12360P1	Throttle Control Lever
100	10671P1	Hand Grip
101	11982P1	Handle Bar, R. H.
102	11985P1	Fwd.-Rev. Shifter Rod Support
103	453670	1/4 x 1 1/8 Spring Pin
104	11986P1	Fwd.-Rev. Control Rod
105	10677A1	2-Speed Control Rod Weldment
106	9423664	3/32 x 11/16 Spring Pin
107	11981P1	Operating Instructions Decal
108	10933P1	Rod Stop
109	180132	3/8 x 2 1/4 Hex. Hd. Bolt
110	10697P1	Front Decal
111	7331P1	Speed Clip
112	180130	3/8 x 2 Hex. Hd. Bolt
113	12020P1	Starter Button Cap

# TRANSMISSION



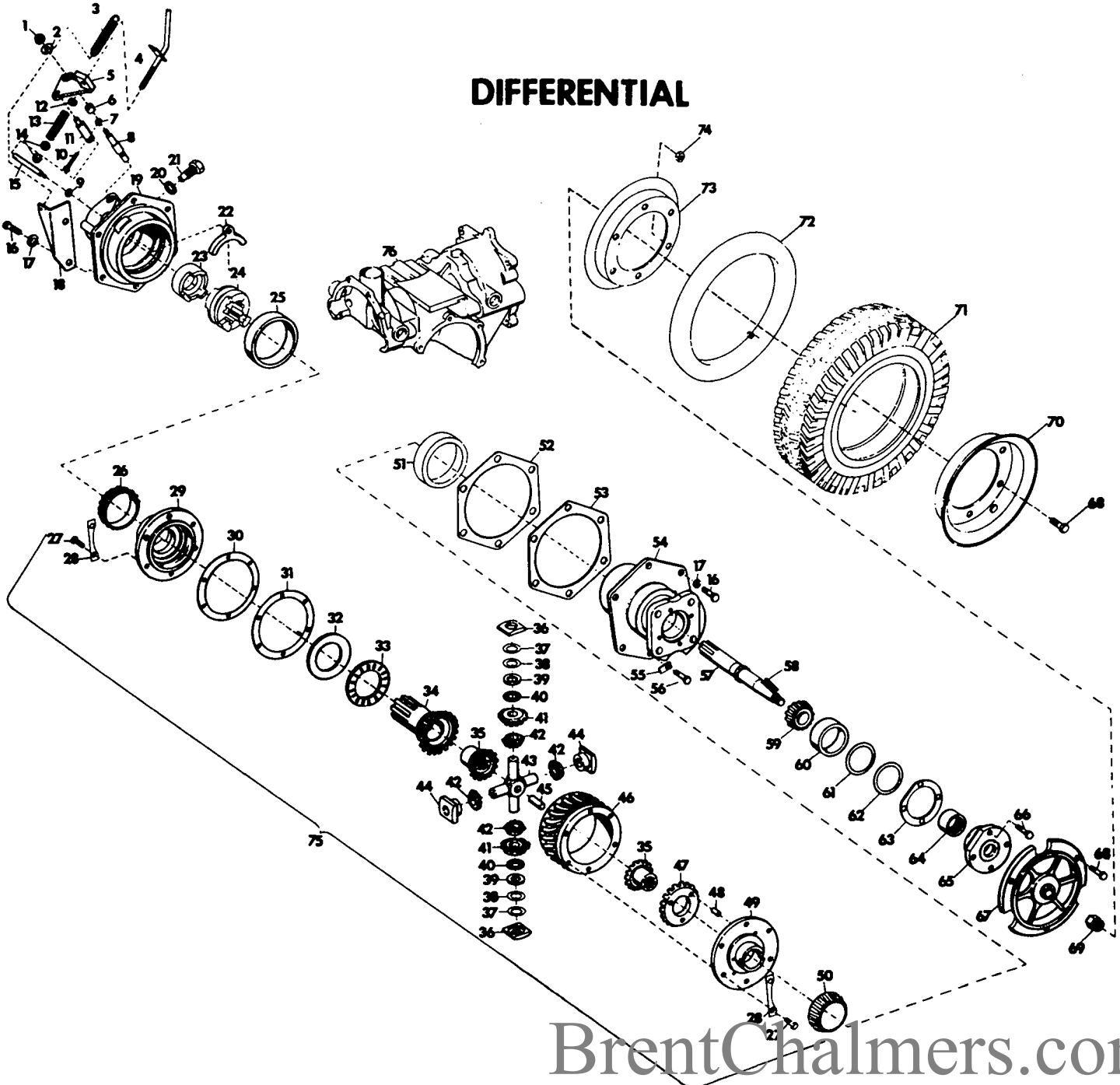
<u>ITEM NO.</u>	<u>PART NO.</u>	<u>DESCRIPTION</u>
1	10635P1	Gasket
2	11183P1	Rear Spacer
3	11182P1	Rear Ring Gear
4	12644A1	Clutch Cup Assembly
5	11185P1	Clutch Slide Rod, R. H.
6	11184P1	Clutch Slide Rod, L. H.
7	11181P1	Orbit Gear Pin
8	11342P1	5/16 Special Nut
9	11179A1	Orbit Gear Assembly
10	11178P1	Pin Spacer
11	11174P1	Orbit Gear Pin
12	11177P1	Orbit Gear Bushing
13	11175A1	Orbit Gear Assembly
14	11172P1	Planet Carrier Bushing
15	11171A1	Planet Gear Carrier Assembly
16	11169P1	Ring Gear Bushing

BrentChalmers.com

<u>ITEM NO.</u>	<u>PART NO.</u>	<u>DESCRIPTION</u>
17	11168A1	Ring Gear and Bushing Assembly
18	12645P1	Rear Thrust Plate
19	2211P1	Shim .020
20	10628P1	Chassis
21	124545	Woodruff Key
22	10617P1	Oil Filler Plug
23	10625P1	Actuating Shaft
24	10618P1	Bushing
25	10663P1	"O" Ring
26	12694P1	Washer
27	180016	1/4 x 1/2 Hex. Hd. Bolt
28	11327A1	Fwd.-Rev. Actuating Lever Assembly
29	10714P1	Washer
30	10390P1	Roller Bearing Cup
31	10389P1	Roller Bearing Cone
32	11328A1	Hi-Lo Actuating Lever Assembly
33	13496P1	Worm 8 Lead
34	12647P1	Worm Shaft
35	12668P1	Worm Key
36	12332P1	Roller Bearing Cone
37	12333P1	Roller Bearing Cup
38	12635P1	Bearing Adjusting Nut
39	12648P1	Adjusting Nutlock
40	120380	1/4 Lock Washer
42	12663P1	Pin Plate Spacer Spring
43	12633P1	Front Pin Plate
44	12637P1	Sun Pinion
45	12653P1	Pin Plate Quill
46	180018	1/4 x 5/8 Hex. Hd. Bolt
48	12639P1	Orbit Gear
49	12640P1	Orbit Gear Pin
50	12658P1	Reverse Idler Bolt
51	12657P1	Reverse Idler Bushing
52	12656P1	Reverse Idler Gear
53	12655P1	Front Pin Spacer
54	138542	3/8 Lock Washer
55	12643P1	Spacer Bolt, R. H.
56	12677P1	Clutch Slide Rod, L. H.
57	12662P1	Pinion Shaft Bearing
58	12678P1	Clutch Slide Rod, R. H.
59	13456P1	Roll Pin
60	12636P1	Gear Cup
61	12632P1	Internal Gear
62	12654P1	Reverse Gear Cone
63	120375	1/4 Hex. Nut
64	14921A1	Thrust Bushing Assembly
66	12591P1	Chassis Front Gasket
67	10626P1	Advance Casting
68	12122P1	Shifter Arm
69	12123P1	Spacer
70	120393	11/32 Flat Washer
71	180087	5/16 x 2 Hex. Hd. Bolt
72	12320P1	Shifter Body Dowel
73	102592	3/8 x 3/8 Set Screw
74	10688P2	Shipper Shaft Body
75	10687P2	Shipper Shaft Guide
76	180735	5/16 x 3 1/4 Hex. Hd. Bolt
77	11298P1	Pinion Shaft
78	12601P1	Trunnion Block

79	12660P1	Clutch Dog
80	12662P1	Pinion Shaft Bearing
81	14922A1	Fwd.-Rev. Planetary Assembly
82	12110P1	Stud
83	12603P1	Attachment Boss Cover Gasket
84	14908A1	Weldment Cover
85	120238	1/2 Hex. Jam Nut
86	187147	5/16 x 3 1/2 Hex. Hd. Bolt
87	180175	1/2 x 1 1/4 Hex. Hd. Bolt
88	10686P1	Shipper Shaft
89	120214	5/16 Lock Washer
90	180075	5/16 x 5/8 Hex. Hd. Bolt
91	9419455	5/16 Lock Nut
92	14615A1	Hi-Lo Planetary Assembly
93	10622A1	Dipstick Assembly
94	10586P1	Dipstick Guide

## DIFFERENTIAL



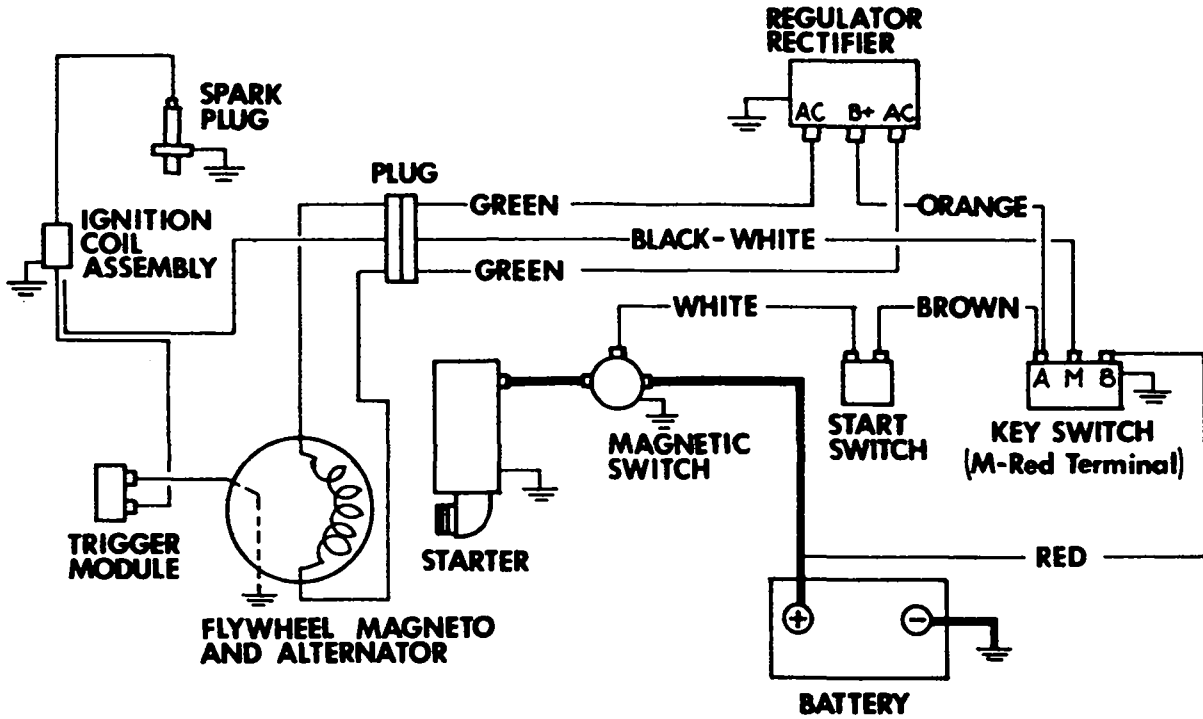


<u>ITEM NO.</u>	<u>PART NO.</u>	<u>DESCRIPTION</u>
1	9419455	5/16 Lock Nut
2	120393	11/32 Flat Washer
3	10681P1	Extension Spring
4	10677A1	2-Speed Control Rod Weldment
5	6723A1	Shifter Arm
6	6724P1	Pivot Bushing
7	9413314	1/4 Lock Nut
8	10505P1	Stationary Pivot
9	6732P1	"O" Ring
10	180024	1/4 x 1 1/4 Hex. Hd. Bolt
11	6726P1	Shifter Pin
12	120394	13/32 Flat Washer
13	10682P1	2-Speed Compression Spring
14	124925	3/8 Hex. Jam Nut
15	6721P1	Clutch Sliding Pin
16	180173	1/2 x 1 Hex. Hd. Bolt
17	120384	1/4 Lock Washer
18	10680P1	2-Speed Spring Bracket
19	10381P3	Axle Housing, 2-Speed
20	138557	5/8 Lock Washer
21	6734P2	Stationary Clutch Bolt
22	6719P1	Shifting Yoke
23	11156P1	Stationary Clutch
24	11632P1	Shifting Clutch
25	12500P1	Bearing Race
26	12501P1	Bearing Cone
27	180077	5/16 x 3/4 Hex. Hd. Bolt
28	11351P1	Locking Plate
29	11148P1	Clutch Housing
30	6739P1	Clutch Housing and Worm Gear Shim .005
31	6740P1	Clutch Housing and Worm Gear Shim .020
32	6744P1	Race
33	6743P1	Bearing
34	6704P1	Shifting Gear
35	6709P1	Differential Gear
36	6715P2	Spider Thrust
37	6737P1	Spider Pin Thrust Shim .005
38	6738P1	Spider Pin Thrust Shim .020
39	6742P1	Race
40	6741P1	Bearing
41	6702P1	Shifting Train Pinion
42	6708P1	Spider Gear
43	6710P1	Spider Pin
44	6752P1	Thrust Spacer
45	6711P1	Thrust Pin
46	6705P1	8 Worm Gear
47	6703P1	Pinned Gear
48	6714P1	Dowel Pin
49	12126P1	Pinned Housing
50	12131P1	Roller Bearing Cone
51	12130P1	Roller Bearing Race
52	12595P1	Axle Housing Shim .005
	12596P1	Axle Housing Shim .020

<u>ITEM NO.</u>	<u>PART NO.</u>	<u>DESCRIPTION</u>
53	12597P1	Gasket
54	12128P1	Axle Housing
55	12594P1	Oil Drain Washer
56	13624P1	Special Bolt
57	10377P1	Standard Axle
58	12672P1	Hub Key
59	9246P1	Bearing Cone
60	9245P1	Bearing Race
61	10382P1	Shim .020
62	10383P1	Shim .005
63	10384P1	Gasket
64	12590P1	Oil Seal
65	10379P1	Bearing Cap
66	180077	5/16 x 3/4 Hex. Hd. Bolt
67	12671P1	Wheel Hub
68	9428638	3/8 x 5/8 Hex. Hd. Bolt
69	13412P1	Special Nut
70	12673P1	Outer Wheel Disc
71	11644P1	Tire
72	11645P1	Tube
73	12674P1	Inner Wheel Disc
74	124829	3/8 Hex. Nut

# WIRING DIAGRAM

COMMERCIAL 10A, COMMERCIAL 12





One Gravelly Lane, Clemmons, NC 27012

[BrentChalmers.com](http://BrentChalmers.com)