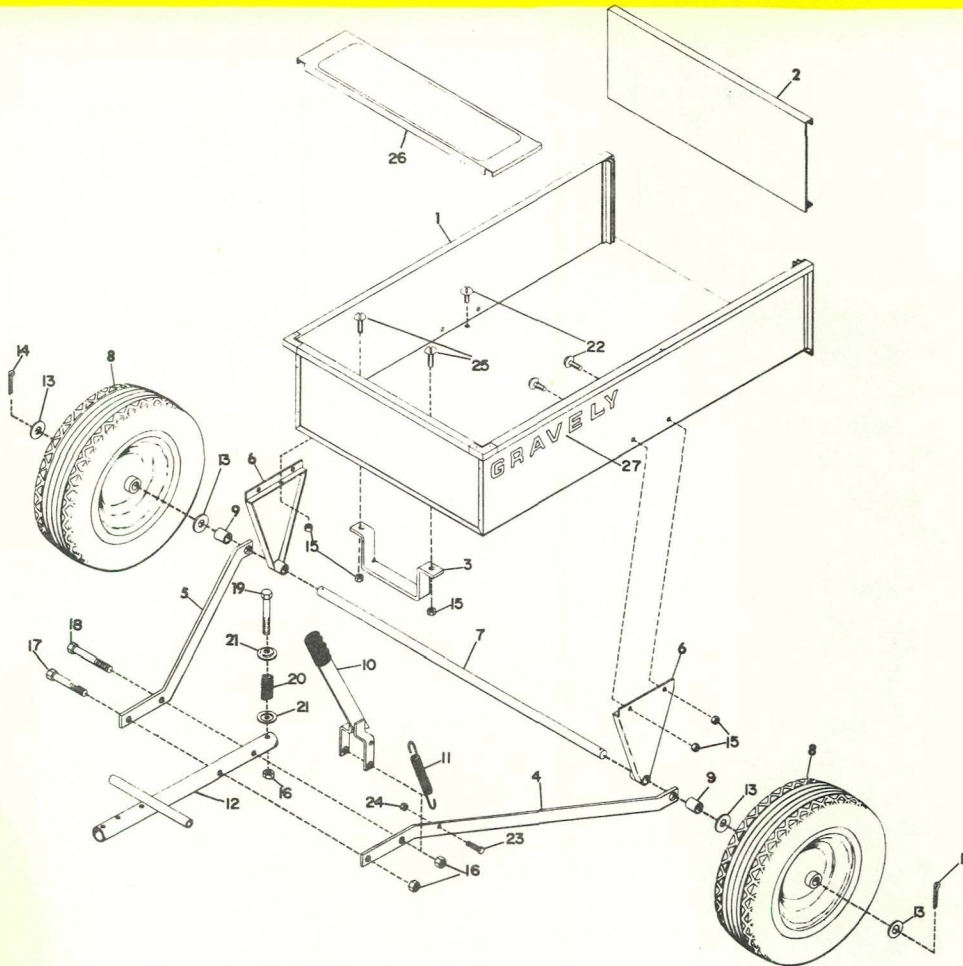


To continue its program of quality and design improvement, the manufacturer reserves the right to change specifications, design or prices without notice and without incurring obligation.

## ILLUSTRATED PARTS LIST

CART CONVERTIBLE TRACTOR

Model Number 15600E1  
 Effective Date 11-1-74  
 Form Number 20909L1



ITEM NO.	PART NO.	DESCRIPTION
1	15099P1	Body
2	15100P1	Gate, Tail
3	15101P1	Bar, Latch
4	15102P1	Brace, Drawbar Left
5	15103P1	Brace, Drawbar Right
6	15104P1	Support, Axle
7	15105P1	Axle
8	15106P1	Wheel Assembly
9	15107P1	Spacer
10	15108P1	Handle Assembly
11	15109P1	Spring
12	15216P1	Drawbar
13	131019	Washer, Flat 1-1/16 x 2 x .134
14	137253	Pin, Cotter 3/16 x 1-5/8
15	120377	Nut, Hex 3/8-16
16	120378	Nut, Hex 1/2-13
17	180192	Bolt, Hex 1/2-13 x 3-1/2
18	433156	Bolt, Hex 1/2-13 x 4-1/2
19	180194	Bolt, Hex 1/2-13 x 4
20	12613P1	Spring, Valve
21	12738P1	Locator, Valve Spring
22	160776	Screw, Machine 3/8-16 x 3/4 Pan Hd
23	180022	Bolt, Hex 1/4-20 x 1
24	120375	Nut, Hex 1/4-20
25	160825	Screw, Machine 3/8-16 x 1 Pan Hd
26	15111P1	Seat
27	19365P1	Decal, Gravelly

Faint, illegible text at the top left of the page, possibly bleed-through from the reverse side.