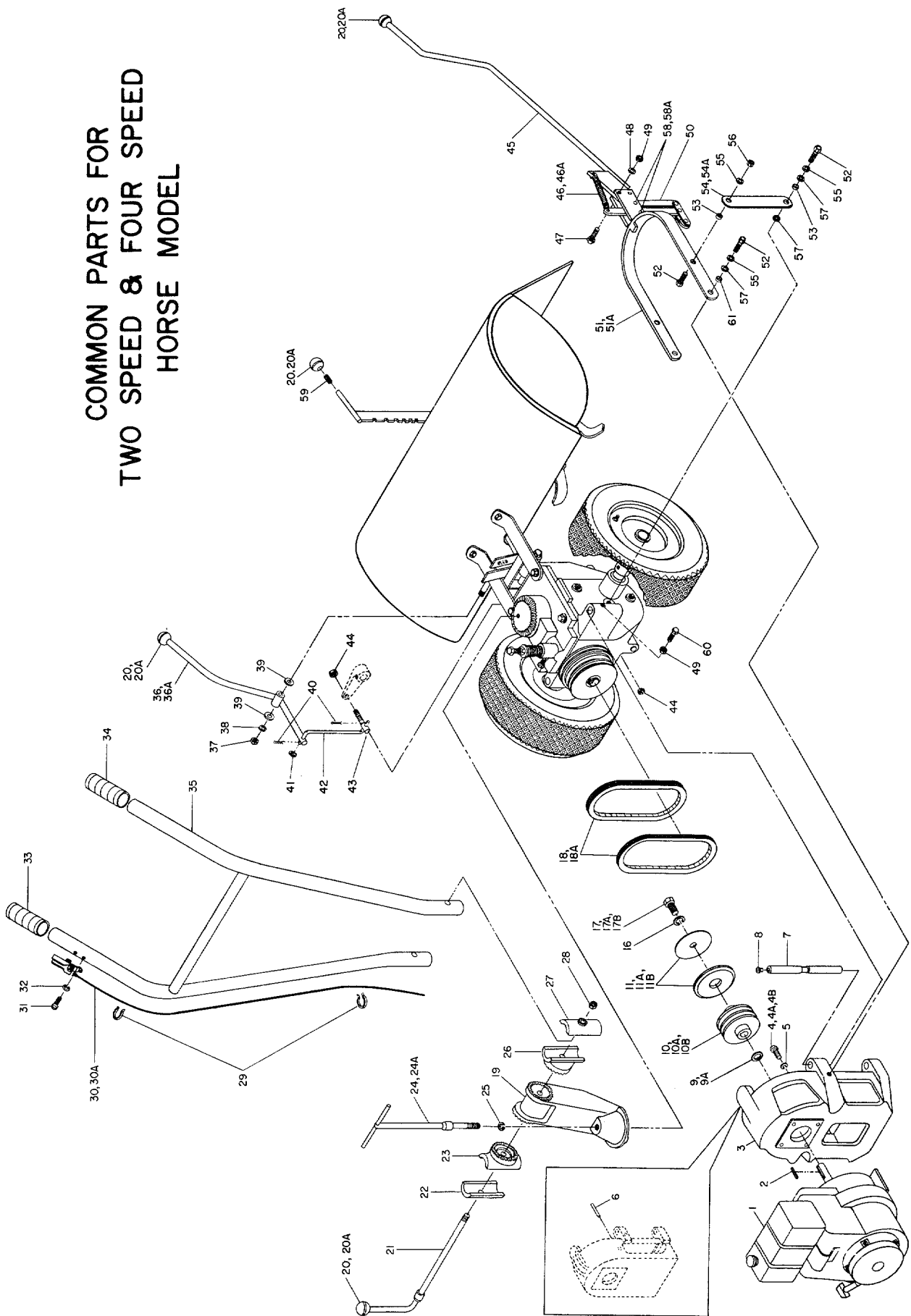
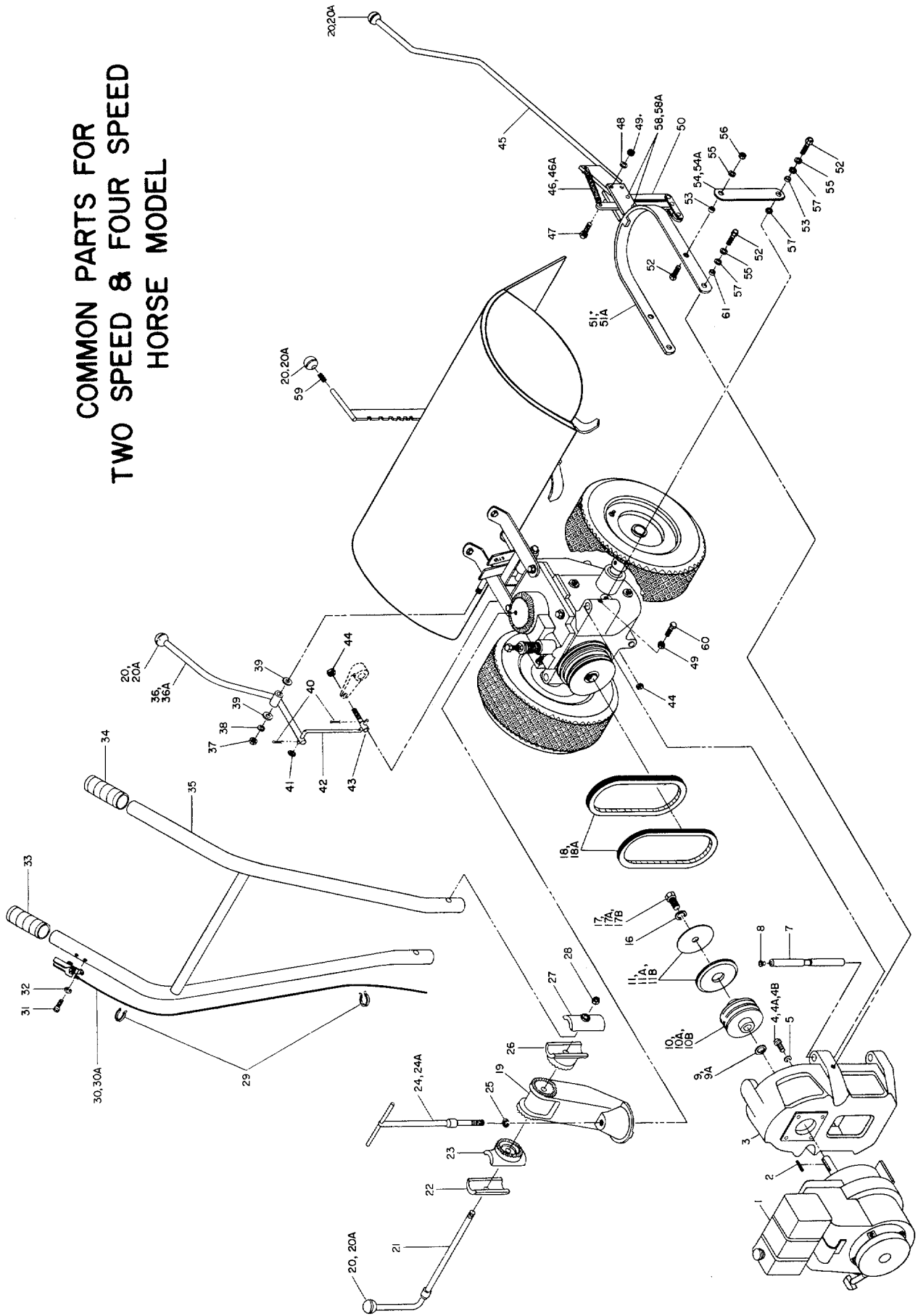


COMMON PARTS FOR  
TWO SPEED & FOUR SPEED  
HORSE MODEL



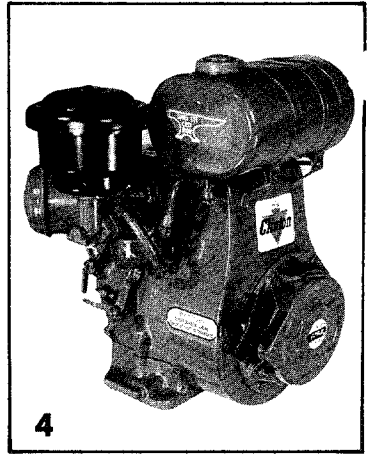
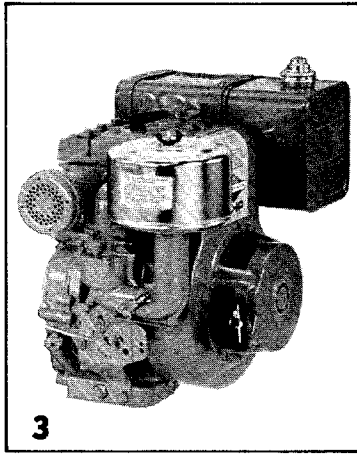
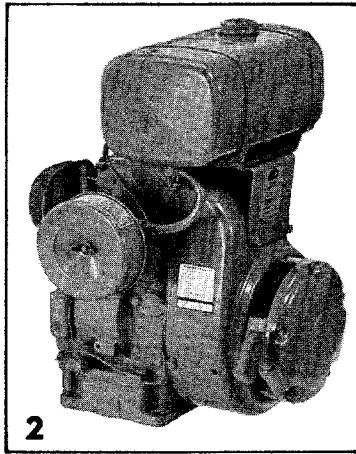
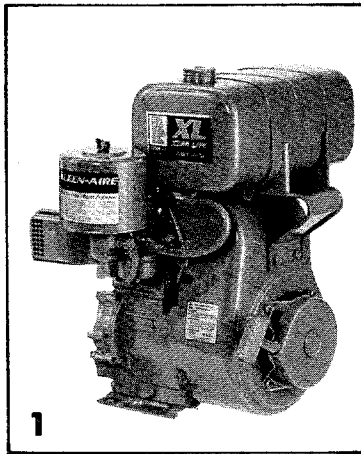
| INDEX NO.   | PART NO. | DESCRIPTION  | NO. REQ'D | REPLACES   |
|---|----------|--|-----------|------------|
| <b>ENGINE &amp; MOUNT, PULLEY, BELTS, HANDLEBARS &amp; SHIFT LEVERS</b> |          |  |           |            |
| 1   | .....    | ENGINE—see Page 26 for engine listing .....  | 1         | .....      |
| 2   | 9303     | KEY—3/16" square x 2½" engine pulley .....   | 1         | .....      |
| 3   | 1698     | MOUNT—engine to tiller, with cast-in belt guides instead of roll pins ....   | 1         | 1002       |
| 4   | 9707     | BOLT—5/16"-24 x 1", engine mtg. for Tecumseh & Briggs and Stratton engines .....   | 4         | .....      |
| 4A  | 9704     | BOLT—hex. head, 5/16"-18 x 1", Clinton engine (mounting) .....   | 4         | .....      |
| 4B  | 9732     | BOLT—5/16"-24 x 7/8", engine mounting to 7 H.P. Kohler mounting plate for tiller serial numbers 252356 & below .....   | 4         | .....      |
| 5   | 9912     | LOCKWASHER—5/16" .....   | 4         | .....      |
| 6   | 9310     | PIN—roll (spiro) ¼" x 2½" belt guide pins, used as belt guides with earlier style motor mount (also see Index 20, Page 41 .....  | 2         | 1099       |
| 7   | 1034     | BAR—engine mounting .....  | 2         | .....      |
| 8   | 9147     | PLUG—thread protection, red plastic .....  | 2         | 9121, 1216 |
| 9   | 1138-1   | SHIM—engine pulley, 1/16" thick, Tecumseh (2-5), Kohler (2, 5-7), Clinton (1) .....  | as req'd  | .....      |
| "   | 1138-2   | SHIM—engine pulley, 1/32" thick, Tecumseh (1), Kohler (1), Briggs and Stratton (3), Clinton (2) .....  | as req'd  | .....      |
| 9A  | 1213     | SHIM—engine pulley, Clinton Engine, hardened, 1/16" thick, (1) closest to engine .....   | as req'd  | .....      |
| 10  | 1483     | PULLEY—engine PTO driven, uses single belt, for four-speed tillers, Tiller Serial #314151 & Up, see Index 4, Page 21 .....   | 1         | 1007-1     |
| 10A   | 1007-1   | PULLEY—engine PTO driven, uses pair of belts, tiller serial No.'s 2731 to 314150; between tiller serial No.'s 2731 and 5983 pulleys were aluminum and from No.'s 5984 & Up pulleys are cast iron ..... | 1         | 1007A      |
| 10B   | 1007     | PULLEY—engine PTO driven, uses single belt tiller serial No. 2730 & below, 4½ H.P. engine maximum .....  | 1         | .....      |
| 11  | 1919     | DISC—reverse, rubber rimmed, for four-speed tillers, see Index 2, Page 21. Includes Part #1920 adjustment block .....  | 1         | 1485       |
| 11A   | 1072A    | DISC—reverse, hard fiber, with #1287 mtg. plate, for two-speed tillers, Serial No's. 163830 to 314150 .....  | 1         | .....      |
| 11B   | 1072K    | DISC—reverse, hard fiber, with #1287 mtg. plate & #1291 washer, for two-speed tillers, Serial No's. 163829 & below .....   | 1         | .....      |
| 16  | 9913     | LOCKWASHER—3/8" .....  | 1         | .....      |
| 17  | 9738     | BOLT—hex hd., 3/8"-24 x 1¾", engine pulley mtg., Tecumseh engine ....  | 1         | 1075, 9715 |
| 17A   | 9715     | BOLT—hex hd., 3/8"-24 x 1½", engine pulley mtg., Kohler & Briggs and Stratton engines .....  | 1         | .....      |
| 17B   | 9708     | BOLT—hex head, 5/16"-24 x 1½", eng. pulley mounting, Clinton engine .....  | 1         | .....      |
| 18  | 9245     | BELT—single "V" for four-speed tillers, see Index 3, Page 21 .....   | 1         | .....      |
| 18A   | 1128     | BELTS—"V", pair, tiller serial No.'s 2731 to 314150, two speed tillers. Earlier tillers used a single #1128 belt & #1007 pulley .....  | 1 pair    | .....      |
| 19  | 1019     | BASE—handlebar, left-to-right adjustment .....   | 1         | 1261       |
| 20  | 9119     | KNOB—wheel speed lever, forward/reverse lever, depth regulator, handlebar height adjustment, includes retaining ring, part #9120. Used on tiller serial No. 19331 & up .....                           | 4         | 9136, 1118 |
| 20A   | 9136     | KNOB—SAME AS ABOVE except threaded, ½"-13 thread, used on tiller serial No. 19330 & below .....  | 4         | 1118       |
| 21  | 1881     | STUD—handlebar height adjustment, includes #9119 knob and #9803 nut .....  | 1         | .....      |
| 22  | 1021-2   | CLAMP—handlebar adjustment, right .....  | 1         | .....      |
| 23  | 1020-2   | RATCHET—handlebar adjustment, right .....  | 1         | .....      |
| 24  | 1043     | CLAMP—"T" bar, handlebar mounting, 10½" .....  | 1         | .....      |
| 24A   | 1167     | CLAMP—"T" bar, handlebar mounting, electric start, 14¼" .....  | 1         | .....      |
| 25  | 9915     | LOCKWASHER—5/8" .....  | 1         | .....      |
| 26  | 1020-1   | RATCHET—handlebar adjustment, left .....   | 1         | .....      |
| 27  | 1021-1   | CLAMP—handlebar adjustment, left .....   | 1         | .....      |
| 28  | 9803     | NUT—hex., ½"-13 .....  | 1         | 9805       |

COMMON PARTS FOR  
TWO SPEED & FOUR SPEED  
HORSE MODEL



| INDEX NO.   | PART NO. | DESCRIPTION  | NO. REQ'D | REPLACES   |
|---|----------|--|-----------|------------|
| <b>ENGINE &amp; MOUNT, PULLEY, BELTS, HANDLEBARS &amp; SHIFT LEVERS (continued)</b> |          |  |           |            |
| 29  | 9116     | CLIP—throttle cable retaining .....  | 1         | 1218       |
| 30  | 9240     | CABLE—throttle, complete. For 6 HP Tecumseh (manual choke only),<br>7 HP Kohler, 4½ HP Clinton and 8 HP Briggs & Stratton engines.<br>Also order #9733 screws & #9909 lockwashers, if needed. .... | 1         | 1195, 9115 |
| 30A   | 9115     | CABLE—throttle, complete. Use with 6 HP Tecumseh (automatic choke<br>only) engines. Also order #9733 screws & #9909 lockwashers,<br>if required. ....  | 1         | 1195       |
| 31  | 9733     | SCREW—pan head, self-tapping .....   | 2         | .....      |
| 32  | 9909     | LOCKWASHER—#10 .....   | 2         | .....      |
| 33  | 9118     | GRIP—rubber, handlebar, see Index 34 for electric start grip .....   | 2         | 1095       |
| 34  | 9141     | GRIP—rubber, handlebar left side (for push-button electric start only).<br>Use one instead of #9118. Includes starter button spacer #1180 .....  | 1         | 9118       |
| 35  | 1046A    | HANDLEBARS—includes two grips, specify standard or electric .....  | 1         | 1046       |
| 36  | 1843     | LEVER—wheel shift, for single pin eccentric transmissions, Tiller Serial<br>#493014 & Up. Includes #9119 knob and #9120 retaining ring. ....   | 1         | 1230A      |
| 36A   | 1230A    | LEVER—wheel shift, for fork shoe transmissions, Tiller Serial #19741 to<br>493013. Includes #9119 knob and #9120 retaining ring. See<br>Note 1 below .....   | 1         | 1030, 1230 |
| 37  | 9806     | LOCKNUT—hex., ½"—20, self-locking .....  | 1         | 9804       |
| 38  | 9914     | LOCKWASHER—½" .....  | 1         | .....      |
| 39  | 9907     | WASHER—plain, ½" S.A.E. (inside washer optional) .....   | 2         | .....      |
| 40  | 9317     | PIN—cotter, 3/32" x 1" .....   | 2         | .....      |
| 41  | 9902     | WASHER—plain, 5/16" S.A.E., O.D. 11/16" .....  | 1         | .....      |
| 42  | 1231     | ROD—connecting rod, speed shift lever .....  | 1         | .....      |
| 43  | 1033     | SWIVEL—connecting rod .....  | 1         | .....      |
| 44  | 9808     | LOCKNUT—hex. head, 5/16"-18 .....  | 1         | .....      |
| 45  | 1134A    | LEVER—forward/neutral/reverse, includes #9119 knob, Index #20 ....   | 1         | 1134       |
| 46  | 1492     | SPRING—clutch pawl, for four-speed tillers only, see Index 5, page 20 .....  | 1         | .....      |
| 46A   | 1122     | SPRING—clutch pawl for two-speed tiller .....  | 1         | .....      |
| 47  | 9705     | SCREW—hex. head, 5/16"-18 x 1¼", lever to yoke .....   | 2         | 1211       |
| 48  | 9912     | LOCKWASHER—5/16" .....   | 2         | .....      |
| 49  | 9801     | NUT—hex. head, 5/16"-18 .....  | 4         | .....      |
| 50  | 1042     | ROLLER ASSEMBLY—clutch, Forward/Reverse .....  | 1         | .....      |
| ....  | 1051A    | REPAIR KIT—roller assembly, includes #1051 roller, #9346 clevis pin<br>and #9317 cotter pin .....  | 1         | .....      |
| 51  | 1921     | YOKE—clutch control, no shifting tab on yoke, for four-speed tillers<br>only, see Index 7, Page 21 .....   | 1         | 1487       |
| 51A   | 1037     | YOKE—clutch control, for two-speed tillers, Serial #314150 & Below. ....   | 1         | .....      |
| 52  | 9710     | BOLT—hex. head, ⅜"-16 x 1", yoke linkage .....   | 6         | .....      |
| 53  | 1113-1   | BUSHING—spacer, 9/16" long, yoke linkage .....   | 4         | .....      |
| 54  | 1488     | LINK—yoke pivot (clutch control), 6⅞" long, four-speed only, see Index<br>6, Page 20 .....   | 2         | .....      |
| 54A   | 1098     | LINK—yoke pivot (clutch control), 6⅞" long, two-speed tillers only .....   | 2         | .....      |
| 55  | 9913     | LOCKWASHER—⅜" .....  | 6         | .....      |
| 56  | 9802     | NUT—hex., ⅜"-16 .....  | 2         | .....      |
| 57  | 9904     | WASHER—plain, ⅜" S.A.E., O.D. 13/16" .....   | 6         | .....      |
| 58  | 9323     | ROLL PIN (spiral), 5/16" x 1" .....  | 2         | .....      |
| 58A   | 1136     | RIVET—5/16" x 1¼", #36 drilled hole, clutch roller assembly prior to<br>Tiller Serial No. 31208 rivets were used instead of roll pins .....  | 2         | .....      |
| 59  | 9120     | RING—retaining (tolerance ring) .....  | 4         | .....      |
| 60  | 9704     | BOLT—hex. head, 5/16"-18 x 1" .....  | 2         | .....      |
| 61  | 2146     | BUSHING—spacer, 11/16" long, yoke to engine mount .....  | 2         | 1113-1     |

**NOTE 1**—For tiller serial No.'s. 19740 & below order #1230 wheel speed shift lever. It will include #9317 (2), #9902, #9808 & #1231 at cost of current price of #1230 lever. Please indicate that it is a replacement for part #1030 and it is for a tiller serial number below NO. 19741.

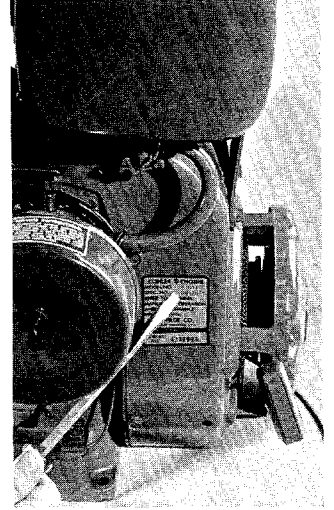
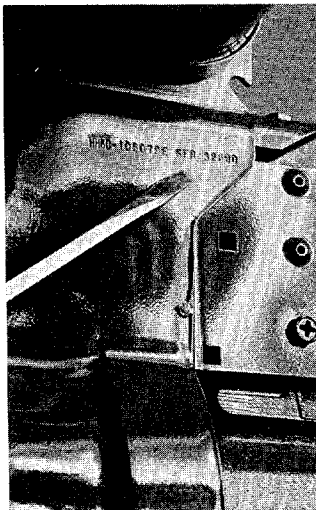


### Here's How To Find Your Engine Model Numbers

**TECUMSEH-LAUSON  
6 H.P. ENGINE**

**CLINTON  
4 1/2 H.P. ENGINE**

**KOHLER 7 H.P.  
ENGINE**

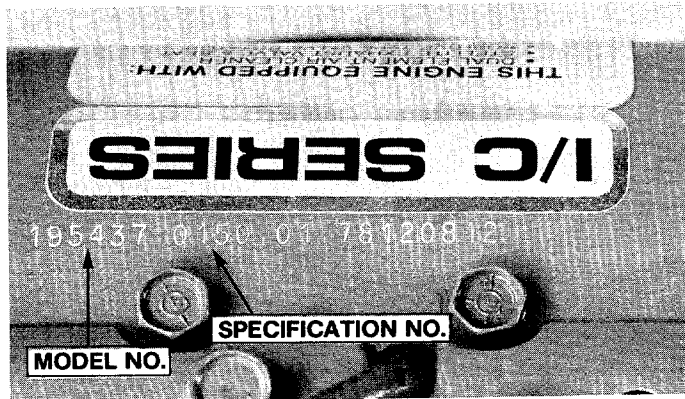


**LOOK HERE . . .** On the side of the engine blower housing opposite the starter rope.

**OR, LOOK HERE . . .** Next to the lubrication instructions.

**LOOK HERE . . .** Screwdriver points to model and spec. nos. stamped (edge-wise) in red metal.

**LOOK HERE . . .** Model and spec. nos. on Kohler name plate.



**BRIGGS AND STRATTON  
8 H.P. ENGINE**

**LOOK HERE . . .** on top of the blower housing between the chrome air cleaner and the chrome fuel cap.

| INDEX NO. | PART NO. | DESCRIPTION ENGINES  | NO. REQ'D | REPLACES |
|-----------|----------|--|-----------|----------|
| 1         | 1870     | ENGINE—6 HP Tecumseh, Model #HH-60, Specification #105115H, <b>standard recoil starting</b> , manual choke, dual element air cleaner, 1" crankshaft is turned down at power takeoff end to ¾" to accept engine pulley. Engines have a cast iron cylinder block & crankcase. See Notes 1 & 2 below .....  | 1         | .....    |
| 1A        | 1868     | ENGINE—6 HP Tecumseh, Model #HH-60, Specification #105116H, <b>electric starting</b> , manual choke, same as above but with electric start and automatic battery recharging system. For use with tillers already equipped with Key Switch Starting System (see Pages 28-29). The earlier, Push Button Starting System (see Pages 30-31) is not compatible with this engine. Also see Notes 1 & 2 below .....   | 1         | .....    |
| 1B        | 1869     | ENGINE—6 HP Tecumseh, <b>electric starting</b> . Same as Part No. 1868 above, but comes with parts necessary to convert from Push Button Starting System to Key Switch Starting System. We are no longer able to stock an engine that is compatible with the Push Button System. See Note 1 below .....  | 1         | .....    |
| 2         | 1927     | ENGINE—7 HP Kohler, "Professional," Model #K161T, Specification #281293. <b>Standard recoil starting</b> (electric start not available). Has remote throttle lever engine shutoff switch, introduced on Tiller Serial #599200 (see Note 3). Engine is cast iron, industrially rated, with bearings at both ends of crankshaft. Compression release. 1" crankshaft is turned down at power take off end to ¾" to accept engine pulley. Must use special tine hood operating decal (Part #2156) which is supplied with replacement engines ordered from Garden Way ..... | 1         | .....    |
| 3         | 1838     | ENGINE—8 HP Briggs & Stratton, "Professional," Model #195432, Type #0149-01, <b>standard recoil starting</b> . Manual choke, 1" crankshaft is turned down at power takeoff end to ¾" to accept engine pulley. Engine has high silicon-copper aluminum alloy cylinder block with permanent cast iron cylinder sleeve, industrially rated, with bearings at both ends of crankshaft. ONLY TILLERS HAVING TILLER SERIAL NO'S. 384172 & UP, MADE AFTER MARCH 6, 1979, CAN SAFELY USE 8 HP ENGINES .....  | 1         | .....    |
| 3A        | 1839     | ENGINE—8 HP Briggs & Stratton, "Professional," Model #195437, Type #0150-01, <b>electric starting</b> , manual choke, same as above but with electric start and automatic battery recharging system. ONLY TILLERS HAVING TILLER SERIAL NO'S. 384172 & UP MADE AFTER MARCH 6, 1979, CAN SAFELY USE 8 HP ENGINES .....   | 1         | .....    |
| 4         | .....    | ENGINE—4½ HP Clinton, Model #498-0301-280, <b>standard recoil starting</b> , 1" crankshaft is turned down at power takeoff end to ¾" to accept engine pulley. Cast iron block. No longer available from Garden Way. Can replace with Part No's. 1870 or 1927 (call Service Dept.) .....  | 1         | .....    |

**ABOUT PROPANE ENGINES**—Garden Way does not supply propane fueled engines. See your local Engine Service Dealers.

**NOTE 1**—All 6 HP Tecumseh engines are available with Manual Choke only. All 6 HP Electric Start engines are available with Key Switch Starting only. The automatic choke series and the Push Button Start system have been discontinued.

**NOTE 2**—Earlier Model Numbers of Tecumseh Engines supplied with Troy-Bilt Tillers are listed below. In most cases, number changes reflect design improvements by the engine manufacturer. Please note that some early tillers had aluminum engines at that time preferred by customers due to lower cost; these are listed separately.

**NOTE 3**—7 HP Kohler engines used on Tiller Serial #599199 & Below (Engine Model #K161T, Specification No's. 281291, 281287J, 281271J, 281148J, 281181) have an engine mounted Stop Button to shut off engine. This model engine no longer available from Garden Way, use Part #1927.

**CAST IRON BLOCK ENGINES, USED FROM 1971 TO 1981**

RECOIL START (Standard), or ROPE PULL WITHOUT RECOIL: HH 60 105041 C; 105049 C or D; 105061 D; 105079 D or E; 105090 E; 105101 F; 105106 F; 105106 G; 105113 G; 105113 H.

ELECTRIC START (12 Volt Battery & Starter Motor): HH 60 105049 E.S.; 105049 C, or E.S.; 105054, or C or D; 105080 D or E; 105091 E; 105102; 105103 F; 105107 F; 105107 G; 105114 G; 105114 H.

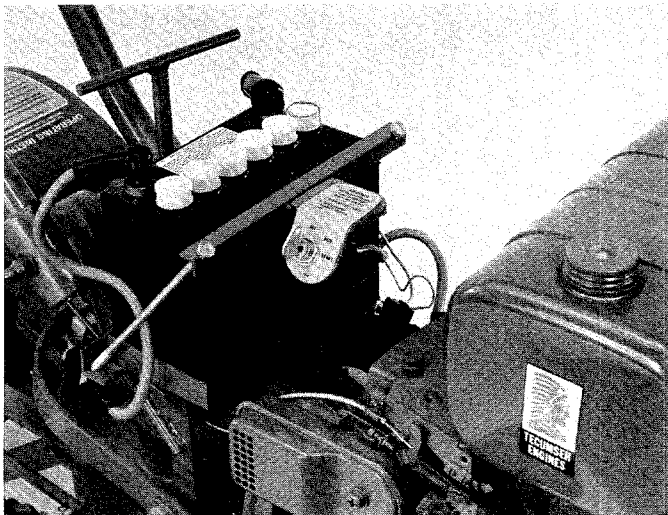
**ALUMINUM BLOCK ENGINES, USED PRIOR TO 1968-69**

RECOIL START (Standard), or ROPE PULL WITHOUT RECOIL: H 60 75173 D, E, G or L; 75251, or G or H; 75258 G.

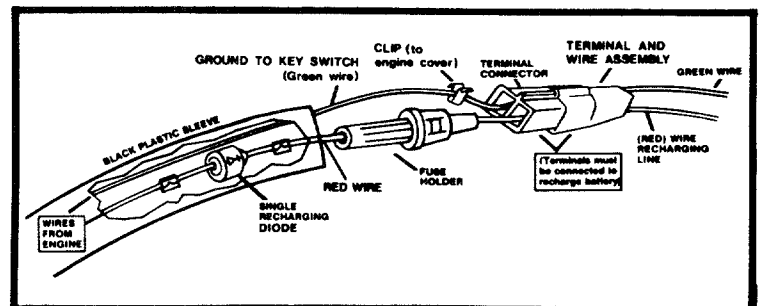
ELECTRIC START (12 Volt Battery & Starter Motor): H 60 75165 E, F or G; 75173 L; 75250 E.S.; 75250 G; 75251 E.S.; 75259 G; 75273 G or H.



| INDEX NO.   | PART NO. | DESCRIPTION   | NO. REQ'D | REPLACES   |
|---|----------|---|-----------|------------|
| <b>6 H.P. TECUMSEH KEY SWITCH ELECTRIC START SYSTEM</b> |          |   |           |            |
| 1   | 9123     | BATTERY—12 volt .....   | 1         | .....      |
| 2   | 9243     | KEY—ignition .....  | 1         | .....      |
| 3   | 9230     | KEY SWITCH .....  | 1         | .....      |
| 4   | 1552     | RECEPTACLES, WIRE HARNESS & BATTERY RECHARGING WIRE,<br>includes two receptacles, three red wires (with terminals), one<br>green wire, plastic harness tube ..... | 1         | 1477, 1469 |
| 5   | 9255     | BOOT—insulating, for battery and solenoid terminals .....   | 3         | .....      |
| 6   | 9265     | TIE—twist, plastic .....  | 1         | 9202       |
| 7   | 9295     | CABLE—battery, positive & negative cables .....   | 2         | 9124       |
| 8   | 9223     | CABLE—solenoid to starter motor, small terminal at starter .....  | 1         | .....      |
| 9   | 9127     | SOLENOID—electric start, includes nuts & washers for cables and wires .....   | 1         | .....      |
| 10  | 9218     | CLIP—metal, supports battery recharging line .....  | 1         | .....      |
| 11  | .....    | FUSE—6 amperes, 3 AGC (included with electric start 6 HP engine).<br>Available locally or from Garden Way, Tec. #29561 .....                                      | 1         | .....      |
| 12  | .....    | DIODE—battery recharging (included with electric start 6 HP engine).<br>For serviceman's replacement use Tecumseh Part No. 610935 .....                           | 1         | .....      |
| 13  | 1468     | BATTERY HOLD-DOWN CLAMP & KEY SWITCH PLATE .....  | 1         | .....      |
| 14  | 9706     | CARRIAGE BOLT—battery clamp, hex. head, 5/16"-18 x 9" .....   | 2         | .....      |
| 15  | 1169     | BRACKET—battery mounting (welded) .....   | 1         | .....      |
| 16  | 9902     | WASHER—plain, 5/16" S.A.E. .....  | 1         | 9901       |
| 17  | 9912     | LOCKWASHER—5/16" .....  | 4         | .....      |
| 18  | 9801     | NUT—hex., 5/16"-18 .....  | 4         | .....      |
| 19  | 9826     | NUT—hex., 5/16"-24 .....  | 2         | .....      |
| 20  | 9723     | SCREW—round head, 1/4"-20 x 3/4", solenoid mounting .....   | 2         | .....      |
| 21  | 9910     | LOCKWASHER—1/4" .....   | 3         | .....      |
| 22  | 9800     | NUT—hex., 1/4"-20 .....   | 3         | .....      |
| 23  | 9921     | LOCKWASHER—#10, center post on solenoid .....   | 1         | .....      |
| 24  | 9809     | NUT—hex., 10-32, center post on solenoid .....  | 1         | .....      |
| 25  | 9713     | BOLT—hex head, 3/8"-16 x 1 1/2", bracket to transmission cover (see Page<br>4, Index No. 66) .....  | 2         | .....      |
| 26  | 9913     | LOCKWASHER—3/8" (see Page 4, Index No. 67) .....  | 2         | .....      |
| 27  | 9703     | BOLT—hex head, 5/16"-18 x 3/4", cable to battery post .....   | 2         | .....      |
| ....  | 20418    | DECAL—for key switch plate (Index No. 13) .....   | 1         | .....      |



**KEY SWITCH ELECTRIC START SYSTEM**—Used on all electric start tillers with Tiller Serial No. 291333 and above. For earlier style, push-button system, see Pages 32 & 33.

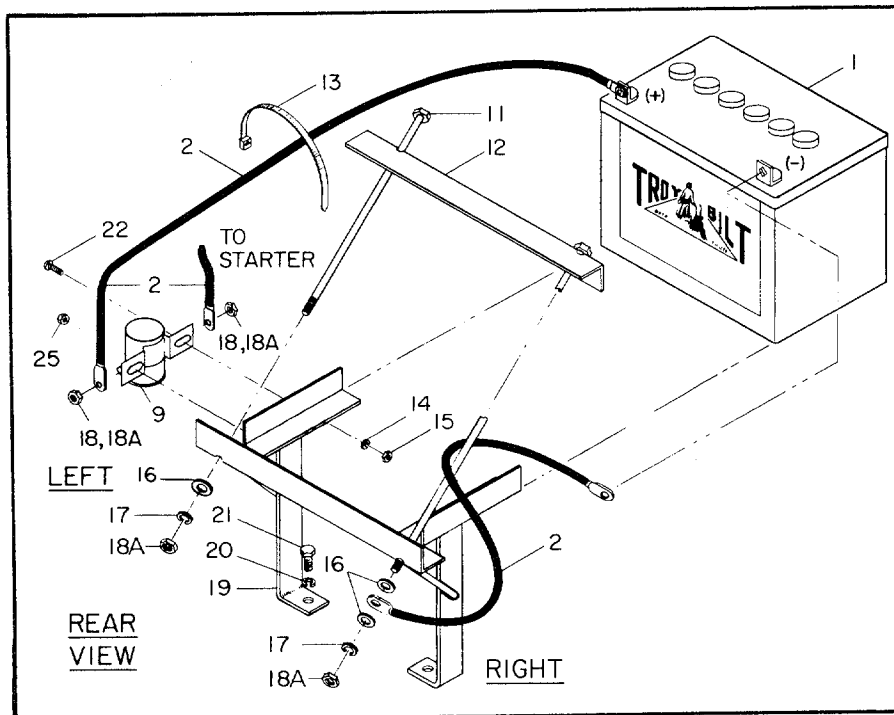
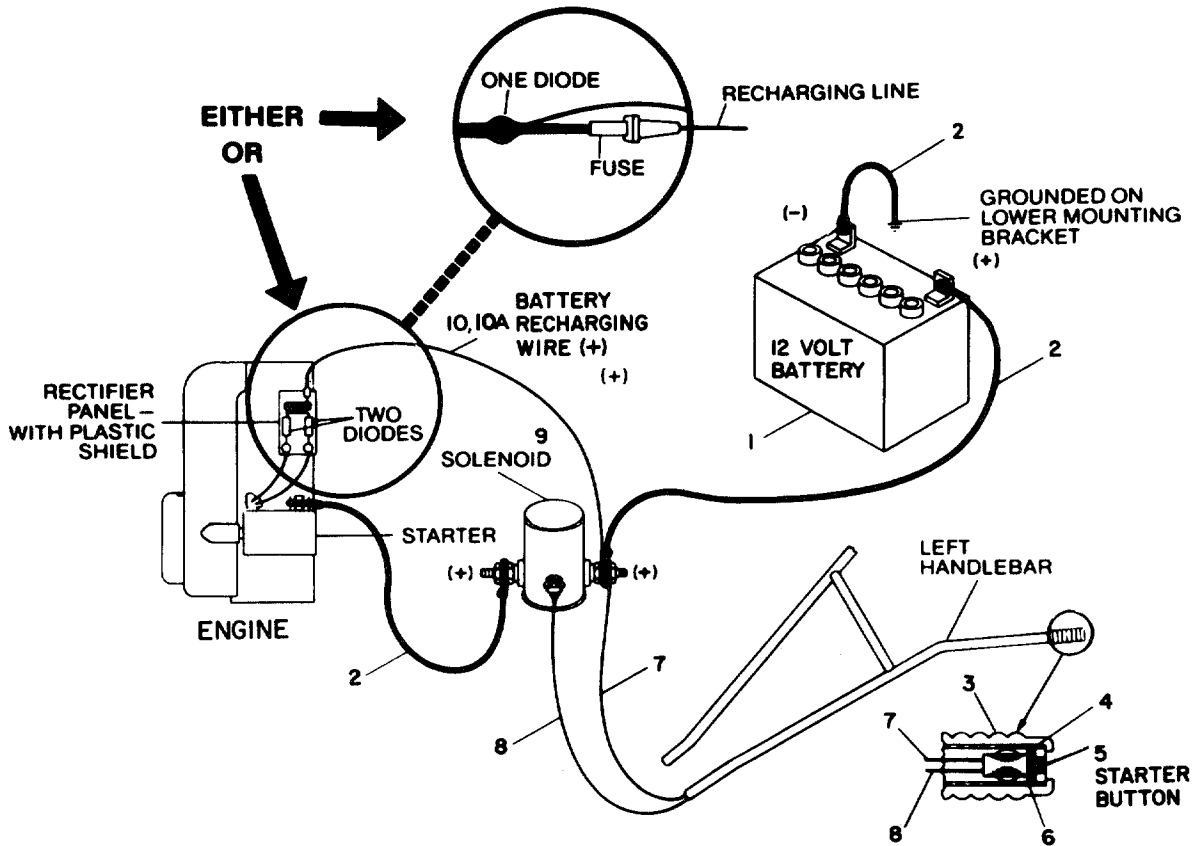


**KEY SWITCH/SINGLE DIODE RECHARGING SYSTEM**—To recharge battery, a small current from engine flows through diode and fuse, to the solenoid terminal and positive cable of the battery.

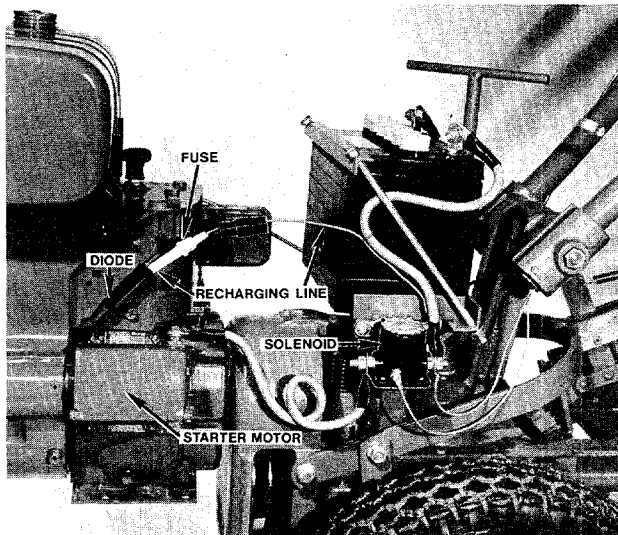


### 6 H.P. TECUMSEH ENGINE ELECTRIC START DIAGRAM

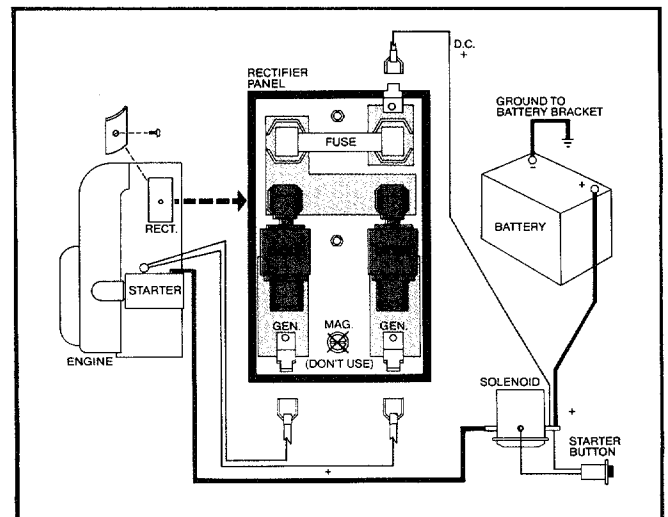
(USED ON ELECTRIC START TILLERS WITH TILLER SERIAL NO. 291332 & BELOW)



| INDEX NO.  | PART NO.  | DESCRIPTION   | NO. REQ'D | REPLACES |
|--|-----------|---|-----------|----------|
| <b>6 H.P. TECUMSEH PUSH-BUTTON ELECTRIC START SYSTEM</b> |           |   |           |          |
| 1  | 9123      | BATTERY—12 volt, 54 plates, 30 amps (7¾" long, 5¼" wide, 6" high)   | 1         | .....    |
| 2  | 9124      | CABLE—battery .....   | 3         | ....     |
| 3  | 9141      | GRIP—handlebar, left, electric start, includes Part No. 1180 spacer .....   | 1         | ....     |
| 4  | 1180      | SPACER—starter button (included with grip Part No. 9141 .....   | 1         | ....     |
| 5  | 9128      | STARTER BUTTON ASSEMBLY .....   | 1         | ....     |
| 6  | 1229      | WASHER—starter button, flat, 15/16" I.D., 1½" O.D. ....   | 1         | ....     |
| 7  | 1225      | WIRE ASSEMBLY—solenoid to starter button (16 ga.) 59", ⅜" eyelet ....   | 1         | ....     |
| 8  | 1226      | WIRE ASSEMBLY—starter button to solenoid (16 ga.) 59", #10 eyelet .....   | 1         | ....     |
| 9  | 9127      | SOLENOID—electric start .....   | 1         | ....     |
| 10   | 1424      | WIRE ASSEMBLY—with connecting terminal (solenoid to engine connector) .....   | 1         | .....    |
| 10A  | 1227      | WIRE ASSEMBLY—engine rectifier panel to solenoid (16 gauge) 18", for two diode system .....   | 1         | .....    |
| ....   | Tec 29561 | FUSE—6 amps, 3 AG, ¼" dia. x 1 3/16" long, avail. locally, or from us   | 1         | .....    |
| <b>BATTERY MOUNTING BRACKET</b>                          |           |   |           |          |
| 11   | 9706      | CARRIAGE BOLT—battery clamp, hex. head, 5/16"-18 x 9" .....   | 2         | ....     |
| 12   | 1168      | CLAMP—battery hold-down .....   | 1         | ....     |
| 13   | 9202      | TIE—plastic, supports battery recharging line .....   | 1         | .....    |
| 14   | 9910      | LOCKWASHER—¼", solenoid mounting .....  | 2         | ....     |
| 15   | 9800      | NUT—hex., ¼"-20, solenoid mounting .....  | 2         | ....     |
| 16   | 9902      | WASHER—plain, 5/16" S.A.E. ....   | 3         | 9901     |
| 17   | 9912      | LOCKWASHER—5/16" .....  | 2         | ....     |
| 18   | 9826      | NUT—hex., 5/16"-24, Tiller Serial No. 237764 & up .....   | 2         | 9801     |
| 18A  | 9801      | NUT—hex., 5/16"-18, for carriage bolts (Index 11) on all tillers. On Tiller Serial No.'s 237763 and below, also used to attach cables to solenoid ..... | 4         | .....    |
| 19   | 1169      | BRACKET—battery mounting (welded) .....   | 1         | ....     |
| 20   | 9913      | LOCK WASHER—⅜" (see page 4, Indices 67 & 66) .....  | 2         | ....     |
| 21   | 9713      | BOLT—hex. head, ⅜"-16 x 1½", bracket to transmission cover .....  | 2         | ....     |
| 22   | 9723      | SCREW—round head, ¼"-20 x ¾", solenoid mounting .....   | 2         | ....     |
| 23   | 9218      | CLIP—metal, supports battery recharging line, one included with Part #1424 .....  | 2         | .....    |
| 25   | 9809      | NUT—hex., 10-32, Part No. 1266 wire assembly to solenoid .....  | 1         | .....    |

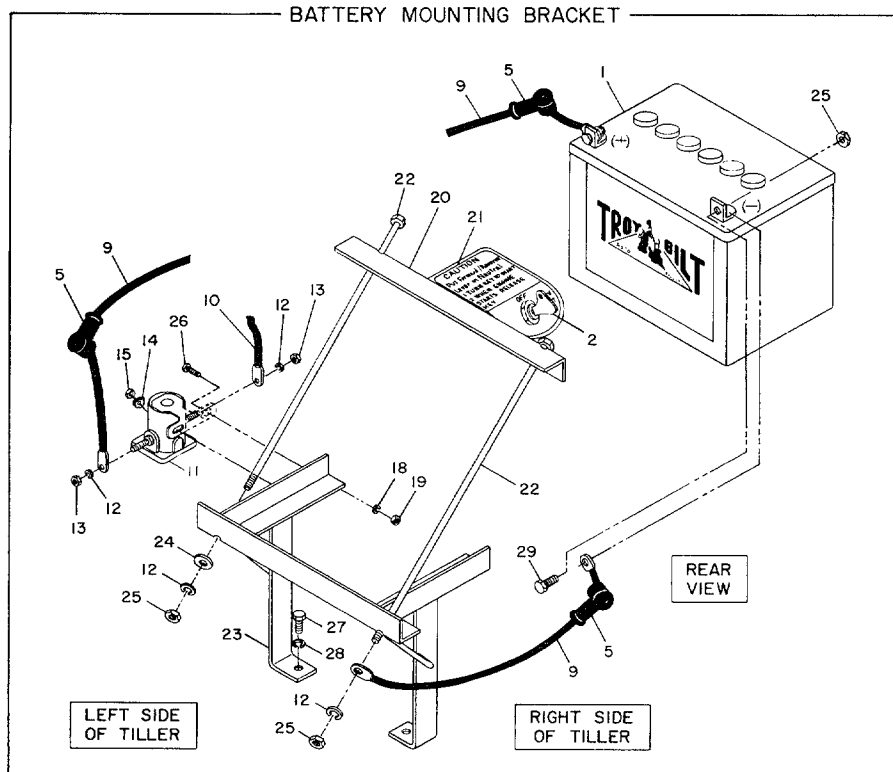
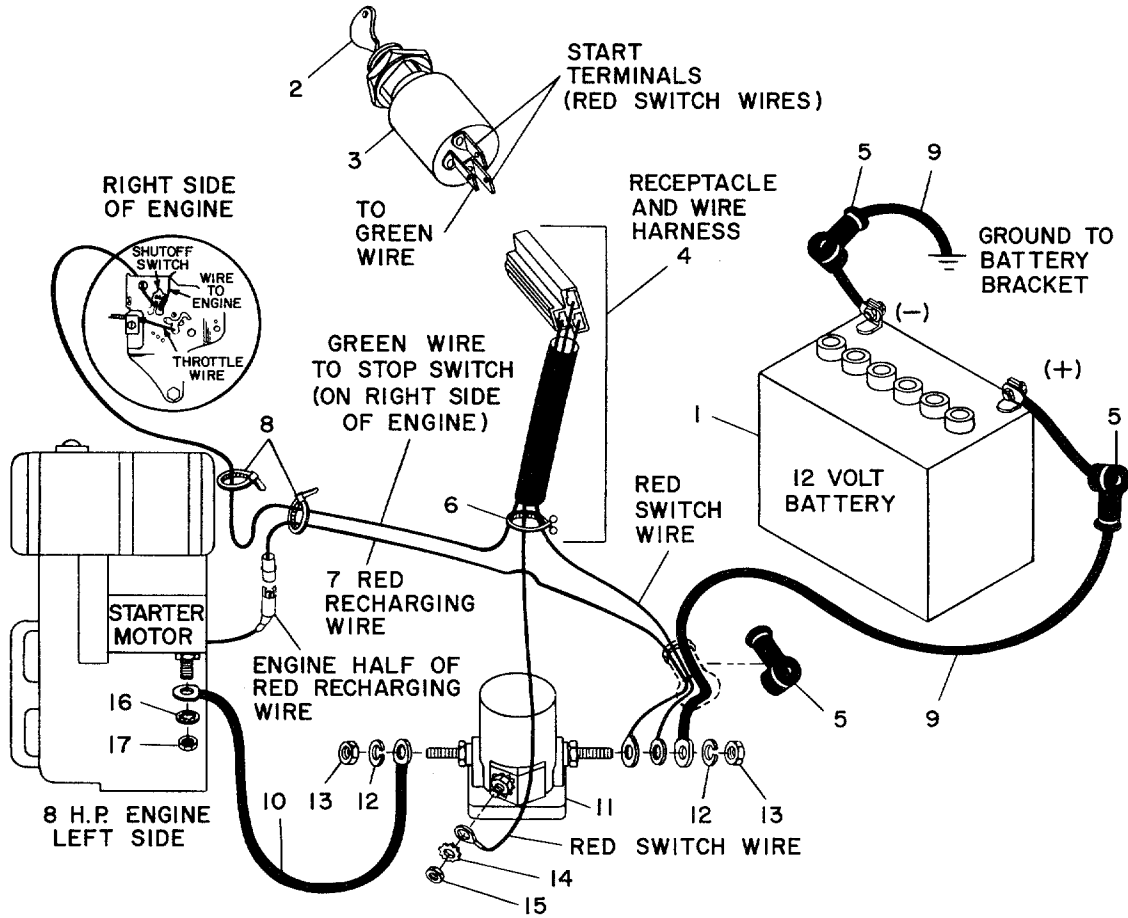


**SINGLE DIODE RECHARGING SYSTEM** — Used on electric start tillers with Tiller Serial No. 237764 through 291332.



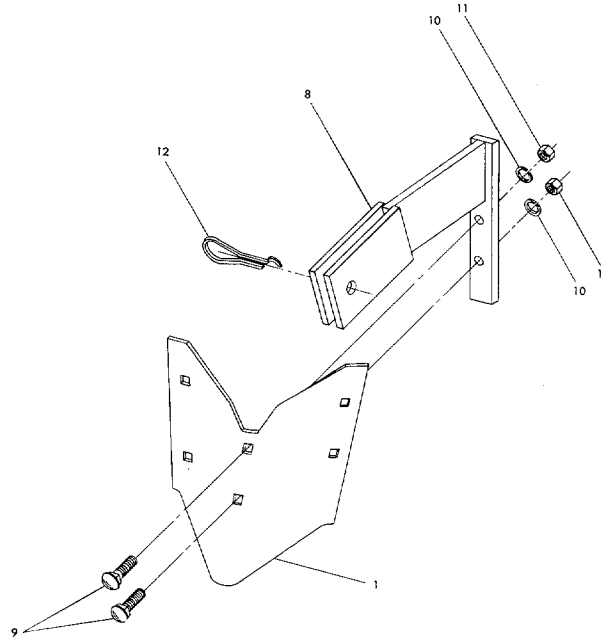
**TWO DIODE RECHARGING SYSTEM**—Used on all electric start tillers up to Tiller Serial No. 237763 (pushbutton starting). Parts shown in Rectifier Panel are supplied by engine service dealer or Garden Way.

8 H.P. BRIGGS & STRATTON ENGINE ELECTRIC START DIAGRAM

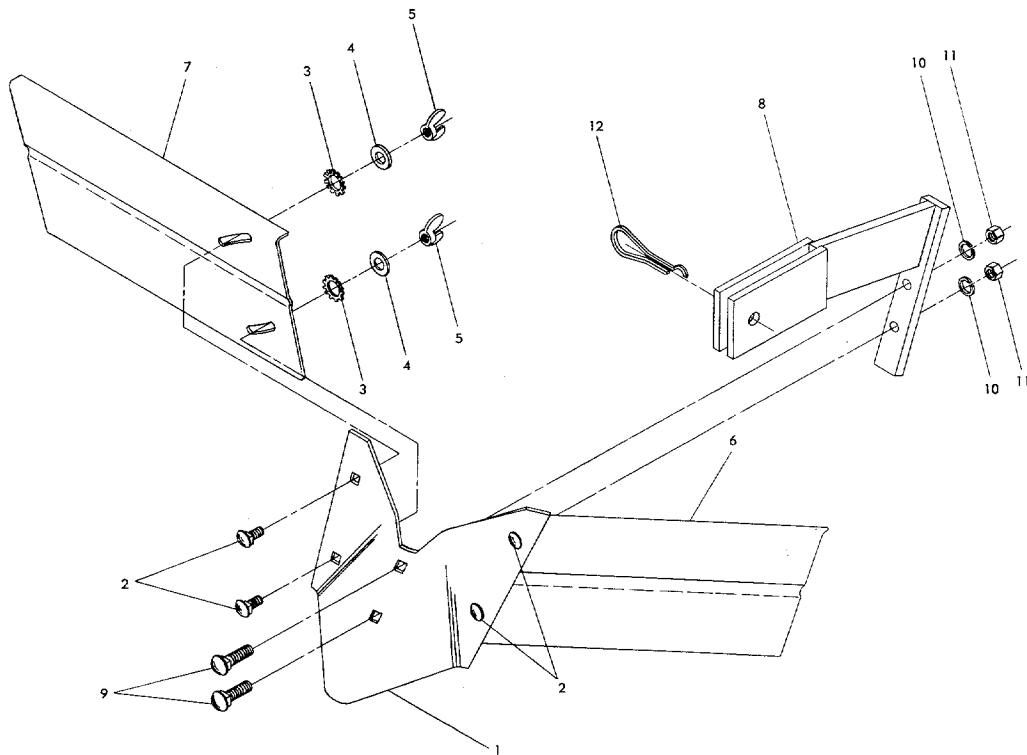


| INDEX NO.   | PART NO. | DESCRIPTION   | NO. REQ'D | REPLACES |
|---|----------|---|-----------|----------|
| <b>8 H.P. BRIGGS &amp; STRATTON ELECTRIC START SYSTEM</b> |          |   |           |          |
| 1   | 9123     | BATTERY—12 volt, 30 ampere .....  | 1         | .....    |
| 2   | 9243     | KEY—ignition .....  | 1         | .....    |
| 3   | 9230     | KEY SWITCH .....  | 1         | .....    |
| 4   | 20424    | WIRE HARNESS & CONNECTING TERMINALS ASSEMBLY—available as complete assembly only. Includes key switch receptacle with two red wires (with eyelets) and one green wire, plastic harness tube.... | 1         | .....    |
| 5   | 9255     | RUBBER BOOT—terminal insulating .....   | 3         | .....    |
| 6   | 9265     | TIE—red plastic, twist, wire retaining .....  | 1         | .....    |
| 7   | 1554     | WIRE—recharging, red, includes terminal and eyelet for battery side of recharging line .....  | 1         | .....    |
| 8   | 9266     | TIE—white plastic, reusable, wire retaining .....   | 2         | .....    |
| 9   | 9295     | CABLE—battery, positive and negative terminals .....  | 2         | 9124     |
| 10  | 9223     | CABLE—solenoid to starter motor .....   | 1         | .....    |
| 11  | 9127     | SOLENOID—includes nuts and washers for cables and wires .....   | 1         | .....    |
| 12  | 9912     | LOCKWASHER—5/16" .....  | 4         | .....    |
| 13  | 9826     | NUT—hex., 5/16"-24 .....  | 2         | .....    |
| 14  | 9921     | LOCKWASHER—#10, external tooth, center post on solenoid .....   | 1         | .....    |
| 15  | 9809     | NUT—hex., 10-32, center post on solenoid .....  | 1         | .....    |
| 16  | .....    | LOCKWASHER—1/4", internal tooth, comes with engine. Not available from Garden Way .....   | 1         | .....    |
| 17  | .....    | NUT—hex., 1/4"-20, comes with engine. Can be replaced with Part No. 9800, see Index #19 below .....   | 1         | .....    |
| 18  | 9910     | LOCKWASHER—1/4", solenoid mounting .....  | 2         | .....    |
| 19  | 9800     | NUT—hex., 1/4"-20, solenoid mounting .....  | 2         | .....    |
| 20  | 1468     | BATTERY HOLD-DOWN CLAMP & KEY SWITCH MOUNTING PLATE ....  | 1         | .....    |
| 21  | 20418    | DECAL—key switch instructions .....   | 1         | .....    |
| 22  | 9706     | CARRIAGE BOLT—battery clamp, hex. head, 5/16"-18 x 9" .....   | 2         | .....    |
| 23  | 1169     | BRACKET—battery mounting (welded) .....   | 1         | .....    |
| 24  | 9902     | WASHER—plain, 5/16" S.A.E. ....   | 1         | 9901     |
| 25  | 9801     | NUT—hex., 5/16"-18 .....  | 4         | .....    |
| 26  | 9723     | SCREW—round head, 1/4"-20 x 3/4", solenoid mounting .....   | 2         | .....    |
| 27  | 9713     | BOLT—hex. head, 3/8"-16 x 1 1/2", bracket to transmission cover (also see Page 4, Index No. 66) .....   | 2         | .....    |
| 28  | 9913     | LOCKWASHER—3/8" (also see Page 4, Index No. 67) .....   | 2         | .....    |
| 29  | 9703     | BOLT—hex. head, 5/16"-18 x 3/4", cable to battery post .....  | 2         | .....    |

# Tiller Attachments



**FURROWER ASSEMBLY**



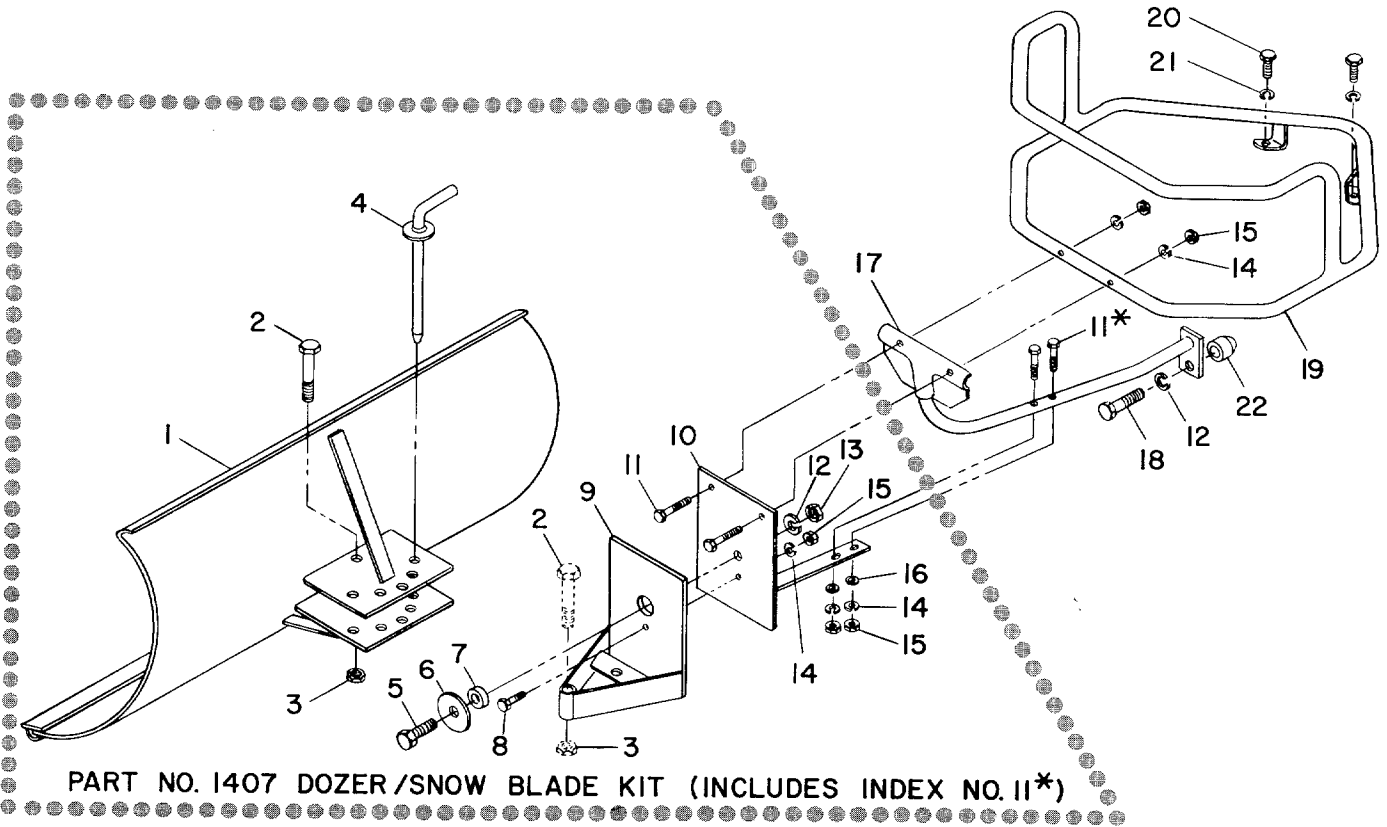
**HILLER/FURROWER — Part #1317**  
(Viewed from front of tiller)

# Tiller Attachments

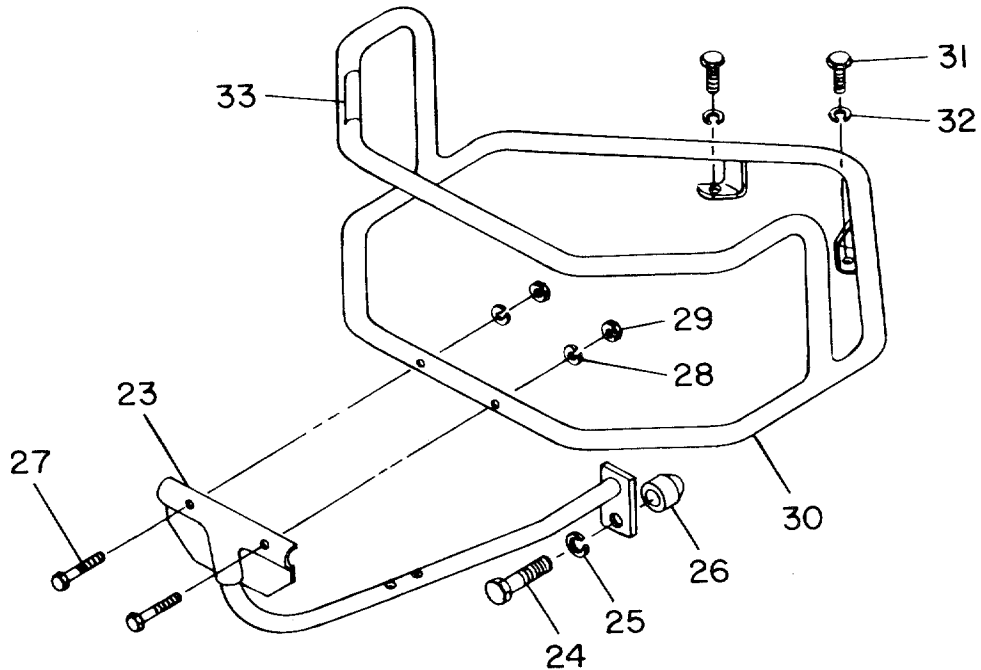
| INDEX NO.                           | PART NO. | DESCRIPTION   | NO. REQ'D | REPLACES |
|-------------------------------------|----------|---|-----------|----------|
| <b>HILLER/FURROWER — Part #1317</b> |          |   |           |          |
| <b>COMPLETE ATTACHMENTS</b>         |          |   |           |          |
| 1                                   | 1269     | FURROWER—blade only .....   | 1         | 9135     |
| 2                                   | 9765     | CARRIAGE BOLT—5/16"-18 x 3/4" .....   | 4         | .....    |
| 3                                   | 9919     | STAR WASHER—external tooth, 5/16" .....   | 4         | .....    |
| 4                                   | 9902     | PLAIN WASHER—5/16" S.A.E. ....  | 4         | 9901     |
| 5                                   | 9824     | WING NUT—5/16"-18 .....   | 4         | .....    |
| 6                                   | 1299-1   | HILLER WING—left .....  | 1         | .....    |
| 7                                   | 1299-2   | HILLER WING—right .....   | 1         | .....    |
| 8                                   | 1197     | BRACKET—blade mounting .....  | 1         | .....    |
| 9                                   | 9725     | CARRIAGE BOLT—blade mounting, 3/8"-16 x 1 1/2" .....  | 2         | .....    |
| 10                                  | 9913     | LOCKWASHER—3/8", plated .....   | 2         | .....    |
| 11                                  | 9802     | NUT—hex., 3/8"-16, plated .....   | 2         | .....    |
| 12                                  | 9318     | PIN—clinch .....  | 1         | .....    |
| ....                                | 1317     | HILLER/FURROWER—complete attachment (owner must bolt blade<br>to mounting bracket, and wings to blade). Instructions included. .... | 1         | .....    |

# Tiller Attachments

## DOZER/SNOW BLADE COMPLETE ATTACHMENT — Part #1873



## BUMPER ATTACHMENT — Part #1684



| INDEX PART NO. | PART NO. | DESCRIPTION | NO. REQ'D | REPLACES |
|----------------|----------|-------------|-----------|----------|
|----------------|----------|-------------|-----------|----------|

## Tiller Attachments

### DOZER/SNOW BLADE COMPLETE ATTACHMENT — Part #1873 (Part No. 1873 includes Index No's. 1 through 22, listed below)

|    |      |  |   |               |
|----|------|--|---|---------------|
| 1  | 1157 | BLADE—dozer/snow blade .....   | 1 | .....         |
| 2  | 9717 | BOLT—hex. head, 1/2"-13 x 3" .....   | 1 | .....         |
| 3  | 9804 | LOCKNUT—hex., 1/2"-13 .....  | 1 | .....         |
| 4  | 1158 | PIN—index, blade angle adjustment .....  | 1 | .....         |
| 5  | 9767 | BOLT—hex. head, 1/2"-13 x 1 1/2" .....   | 1 | .....         |
| 6  | 9905 | WASHER—plain, 1/2" .....   | 1 | .....         |
| 7  | 1416 | BUSHING .....  | 1 | .....         |
| 8  | 9705 | SCREW—hex. head, 5/16"-18 x 1 1/4" .....                                       | 1 | .....         |
| 9  | 1414 | BRACKET—swivel ("A" frame) .....   | 1 | 1156          |
| 10 | 1415 | BRACKET—dozer/bumper mounting .....  | 1 | .....         |
| 11 | 9759 | SCREW—hex. head, 5/16"-18 x 1 3/4" .....                                       | 4 | .....         |
| 12 | 9914 | LOCKWASHER—1/2" .....  | 2 | .....         |
| 13 | 9803 | NUT—hex., 1/2"-13 .....  | 1 | .....         |
| 14 | 9912 | LOCKWASHER—5/16" .....   | 5 | .....         |
| 15 | 9801 | NUT—hex., 5/16" x 18 .....   | 5 | .....         |
| 16 | 9902 | WASHER—plain, 5/16" S.A.E. ....  | 2 | 9901          |
| 17 | 1562 | BRACE—bumper bottom (requires spacer, Part #1561—see<br>Index 22, below) ..... | 1 | 1418          |
| 18 | 9716 | BOLT—hex. head, 1/2"-13 x 2" .....   | 1 | .....         |
| 19 | 1683 | BUMPER—wraparound .....  | 1 | 1417,<br>1558 |
| 20 | 9710 | BOLT—hex. head, 3/8"-16 x 1" .....   | 2 | .....         |
| 21 | 9913 | LOCKWASHER—3/8" .....  | 2 | .....         |
| 22 | 1561 | SPACER—for bottom brace .....  | 1 | .....         |

### BUMPER ATTACHMENT — Part #1684 (Part No. 1684 includes Index No's. 23 through 33, listed below)

|    |      |  |   |               |
|----|------|--|---|---------------|
| 23 | 1562 | BRACE—bumper bottom .....                | 1 | 1418          |
| 24 | 9716 | BOLT—hex. head, 1/2"-13 x 2" .....       | 1 | .....         |
| 25 | 9914 | LOCKWASHER—1/2" .....                    | 1 | .....         |
| 26 | 1561 | SPACER—for bottom brace .....            | 1 | .....         |
| 27 | 9758 | SCREW—hex. head, 5/16"-18 x 1 1/2" ..... | 2 | .....         |
| 28 | 9912 | LOCKWASHER—5/16" .....                   | 2 | .....         |
| 29 | 9801 | NUT—hex., 5/16"-18 .....                 | 2 | .....         |
| 30 | 1683 | BUMPER—wraparound .....                  | 1 | 1417,<br>1558 |
| 31 | 9710 | BOLT—hex. head, 3/8"-16 x 1" .....       | 2 | .....         |
| 32 | 9913 | LOCKWASHER—3/8" .....                    | 2 | .....         |
| 33 | 1448 | DECAL—for bumper .....                   | 1 | .....         |

### DOZER/SNOW BLADE KIT — PART #1407 (Shown within dotted area on Page 36)

Order Part #1407. For those who have already purchased a bumper (Part #1419, #1563, or #1684) and want to add a dozer/snow blade. Kit includes the following parts (see Descriptions and No. Req'd. on this page): Part No's. 1157, 9717, 9804, 1158, 1414, 1416, 9767, 9905, 9914, 9803, 1415, 9759, 9912, 9801, 9705 and 9902.



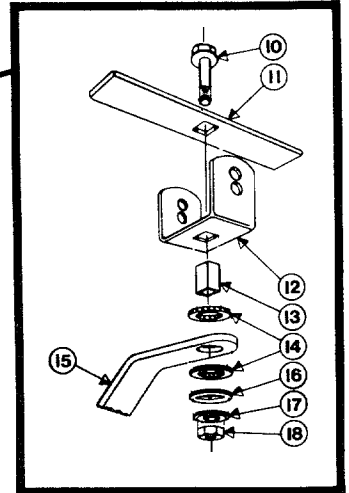
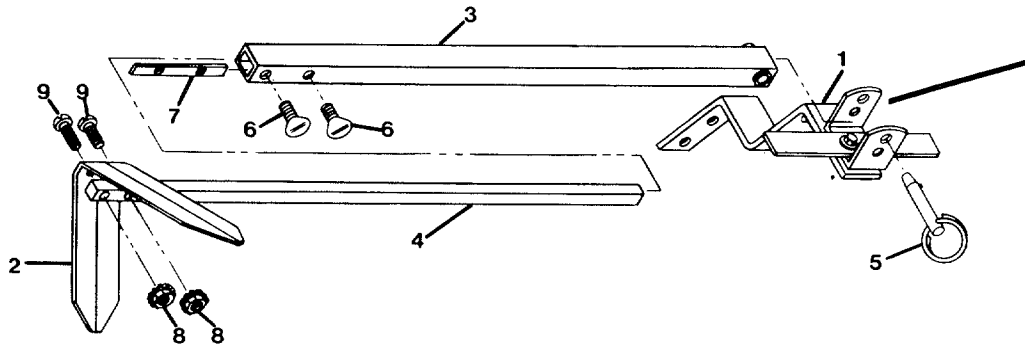
# Tiller Attachments

INDEX PART  
NO. NO.

DESCRIPTION

NO.  
REQ'D REPLACES

## ROW MARKER ATTACHMENT — Part #1832



**Main Support/Yoke Assembly  
Part #1569**

### ROW MARKER ATTACHMENT — Part #1832 (Complete — Attaches to Part #1200 Furrower Attachment)

|      |       |  |   |       |
|------|-------|--|---|-------|
| 1    | 1569  | MAIN SUPPORT & YOKE ASSEMBLY—complete. Incl. Index No's. 10 through 18 listed below .....  | 1 | ..... |
| 2    | 1594  | MARKER BLADE—blade only .....  | 1 | ..... |
| 3    | 1597  | MARKER ARM—main arm .....  | 1 | ..... |
| 4    | 1570  | MARKER ARM—extension arm with stop pin .....   | 1 | ..... |
| 5    | 9347  | HITCH PIN—included in #1837 Hardware Package .....   | 1 | ..... |
| 6    | 9786* | THUMBSCREW— $\frac{1}{4}$ "-20 x $\frac{1}{2}$ ", included in #1837 Hardware Package .....   | 2 | ..... |
| 7    | 1596  | NUT BAR—included in #1837 Hardware Package .....   | 1 | ..... |
| 8    | 9828* | NUT—hex, 10-24 with attached star washers (see #1837 Hdw. Pkg.)....  | 2 | ..... |
| 9    | 9721* | SCREW—round hd., 10-24 x 1", included in Hardware Pkg. ....  | 2 | ..... |
| .... | 1837  | HARDWARE PKG.—includes: one #9347 Hitch Pin, two #9786 Thumb-screws, one #1596 Nut Bar, two #9828 Hex Nuts, two #9721 Screws ..... | 1 | ..... |
| .... | 1850  | ROW MARKER & HILLER/FURROWER ATTACHMENT COMBINATION —complete. Includes: #1317 Hiller/Furrower and #1832 Row Marker .....          | 1 | ..... |

### ROW MARKER MAIN SUPPORT & YOKE ASSEMBLY — Part #1569

|    |      |   |   |       |
|----|------|---|---|-------|
| 10 | 9784 | BOLT—flanged, self-locking, $\frac{3}{8}$ " -16 x 1 $\frac{1}{2}$ " ..... | 1 | ..... |
| 11 | 1593 | STOP BAR .....  | 1 | ..... |
| 12 | 1592 | YOKE .....  | 1 | ..... |
| 13 | 1591 | TUBE KEY—square .....   | 1 | ..... |
| 14 | 1590 | WASHER—friction .....   | 2 | ..... |
| 15 | 1588 | MAIN SUPPORT .....  | 1 | ..... |
| 16 | 1589 | WASHER—square hole .....  | 1 | ..... |
| 17 | 9925 | WASHER—disc spring .....  | 1 | ..... |
| 18 | 9802 | NUT—hex, $\frac{3}{8}$ " -16 .....  | 1 | ..... |

\*Hardware is not available separately. These common hardware items can be easily found at local hardware stores.

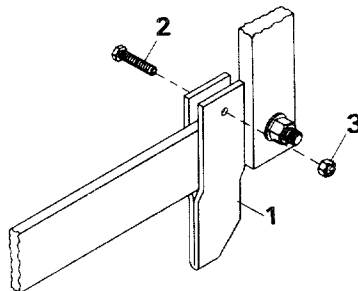
# Tiller Attachments

INDEX PART  
NO. NO.

DESCRIPTION

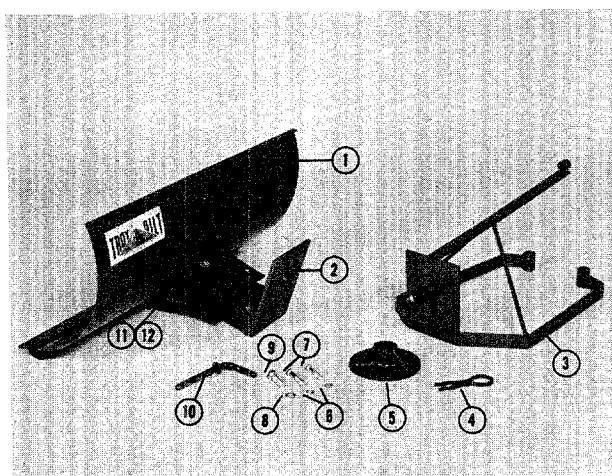
NO.  
REQ'D REPLACES

## SOD POINT ASSEMBLY — Part #1307



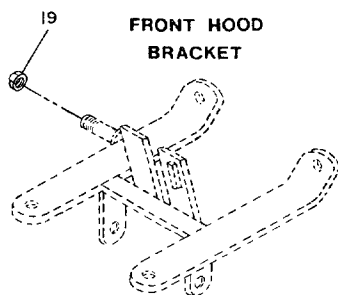
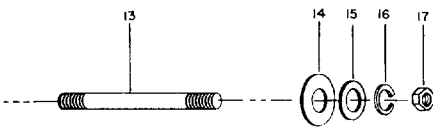
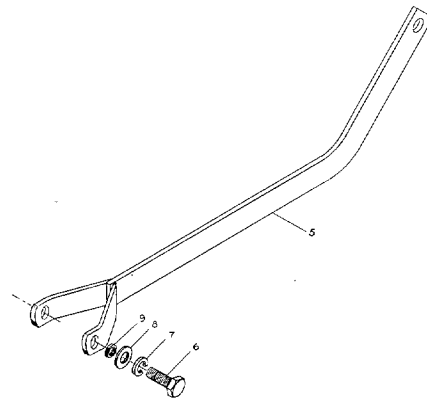
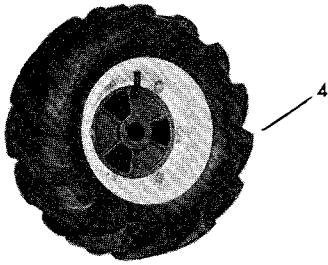
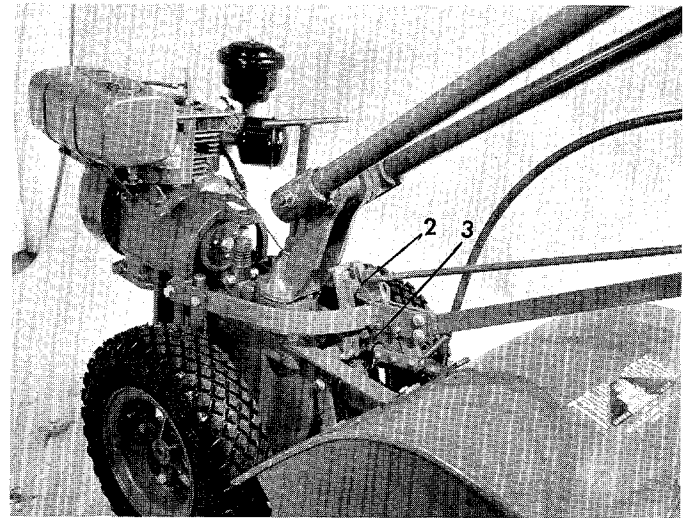
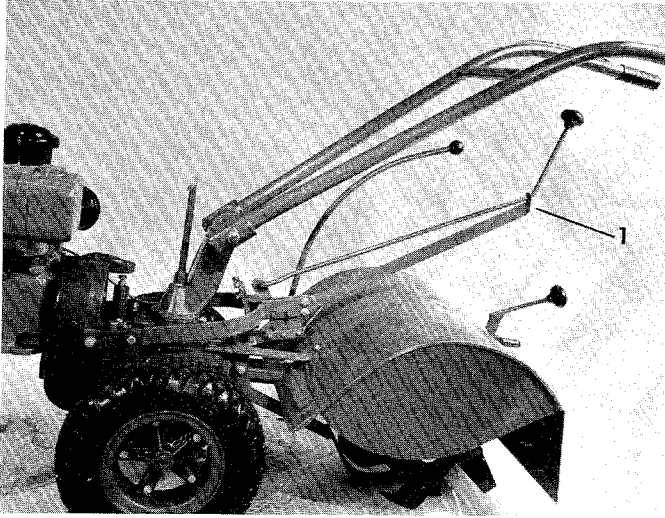
|      |      |   |   |       |
|------|------|---|---|-------|
| 1    | 1294 | SOD POINT .....   | 1 | ..... |
| 2    | 9701 | SCREW—hex. head, 1/4" -20 x 3/4" .....  | 1 | ..... |
| 3    | 9811 | LOCKNUT—hex., 1/4"-20 .....   | 1 | ..... |
| .... | 1307 | SOD POINT ASSEMBLY—complete, includes #9701 screw, #9811 locknut, #1294 sod point ..... | 1 | ..... |

## PARTS STILL AVAILABLE ON OLDER DOZER/SNOW BLADE

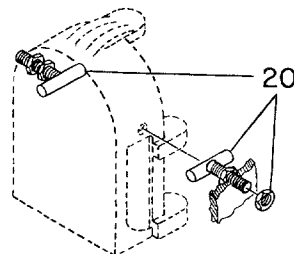
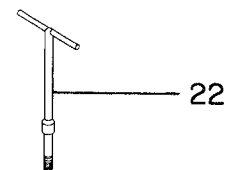
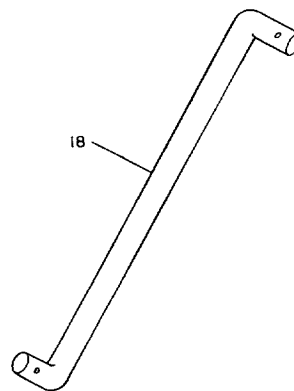
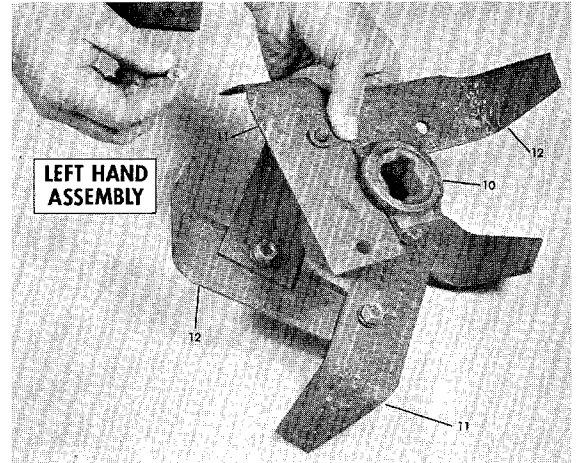


**NOTE:** The Part #1155 bracket (Index 3) is not as adequate protection as the new Bumper (Part #1684) — for instance, it won't protect the carburetor from being damaged.

|    |      |  |   |       |
|----|------|--|---|-------|
| 1  | 1157 | BLADE—dozer/plow .....   | 1 | ..... |
| 2  | 1156 | BRACKET—swivel ("A" frame) .....   | 1 | ..... |
| 3  | 1155 | BRACKET—"On-Off" attachment (available from factory until present stock is depleted) ..... | 1 | ..... |
| 4  | 1154 | CLIP—retaining .....   | 1 | ..... |
| 5  | 1159 | PLATE—blade retaining .....  | 1 | ..... |
| 6  | 9913 | LOCKWASHER—3/8", plated .....  | 2 | ..... |
| 7  | 9714 | BOLT—hex. head, 3/8"-16 x 2 1/4", plated .....   | 2 | ..... |
| 8  | 9914 | LOCKWASHER—1/2", plated .....  | 1 | ..... |
| 9  | 9731 | BOLT—hex. head, 1/2"-13 x 1 3/4", plated .....   | 1 | ..... |
| 10 | 1158 | PIN—index, blade angle adjustment .....  | 1 | ..... |
| 11 | 9717 | BOLT—hex. head, 1/2"-13 x 3", plated .....   | 1 | ..... |
| 12 | 9804 | LOCKNUT—hex., 1/2"-13 .....  | 1 | ..... |



**CHOPPER TINES FOR OLDER TILLERS**



| INDEX NO.                | PART NO.    | DESCRIPTION   | NO. REQ'D | AVAILABLE |
|--------------------------|-------------|---|-----------|-----------|
| <b>NON-CURRENT PARTS</b> |             |   |           |           |
| 1                        | 1040        | CLUTCH LEVER—two piece assembly, used with #1038, two #1038-2, and #1096 knob (large). Use #1077 bracket, #1037 yoke, #1134 lever, #1042 roller assembly, and #1133 block .....   | ..        | No        |
| 2                        | 1079        | BLOCK—reverse, use #1133 block & #1077 bracket .....  | 1         | No        |
| 3                        | 1078        | BLOCK—shift, forward/neutral, belt adjustment .....   | 1         | No        |
| 4                        | .....       | BAR TREAD TIRE & WHEEL—5:00 x 8, not available use 4:00 x 8 Bar Treads, see page 16, Index 13 .....   | ..        | No        |
| 5                        | 1116        | DRAG BAR—depth regulator, tiller serial No. 24574 & below, used with parts listed below under Index No.'s 6, 7, 8 & 9. This part is available for replacement purposes. Also, see page 14, Index 23 & 23A and page 14, Note 1 ..... | 1         | Yes       |
| 6                        | 9705        | BOLT—hex. head, 5/16"-18 x 1 1/4" .....   | 2         | Yes       |
| 7                        | 9912        | LOCKWASHER—5/16" .....  | 2         | Yes       |
| 8                        | 9902        | WASHER—flat, 5/16" S.A.E. ....  | 2         | Yes       |
| 9                        | 1113        | BUSHING—spacer, pivot .....   | 2         | Yes       |
| 10                       | 1048        | HOLDER—chopper tines .....  | 2         | Yes       |
| 11                       | 1049        | TINE—chopper, right hand .....  | 8         | Yes       |
| 12                       | 1050        | TINE—chopper, left hand .....   | 8         | Yes       |
| 13                       | 1047        | STUD—chopper tines, 6" .....  | 2         | Yes       |
| 14                       | 9908        | WASHER—flat, 5/8", standard size, outer diameter 1 3/4" .....   | 2         | Yes       |
| 15                       | 9905        | WASHER—flat, 1/2" .....   | 2         | Yes       |
| 16                       | 9914        | LOCKWASHER—1/2" .....   | 2         | Yes       |
| 17                       | 9805        | NUT—hex, 1/2"-20, tine holder stud, see Index 13 .....  | 2         | Yes       |
| 18                       | 1032        | ROD—connecting, prior to shift lever No. 1230, see note, page 25 .....  | 1         | No        |
| 19                       | 9804        | NUT—hex. head, 1/2"-13, self-locking, wheel shift lever .....   | 1         | Yes       |
| 20                       | 1099        | GUIDE—belt, with nuts, for motor mounts used before Tiller Serial No. 18032 & below, one each side .....  | 2         | Yes       |
| 22                       | 1400 & 1401 | CLAMP—"T" bar, handlebar mounting, formerly used with #1261 handlebar base, #1400 is 10 1/2", for use with recoil start engine. #1401 is 14 1/4", for use with electric start engine .....  | 1         |           |



| Part No.       | Page & Index No.    | Part No.  | Page & Index No.  |
|----------------|---------------------|-----------|-------------------|
| 1169.....      | 28-15, 30-19, 32-23 | 1561..... | 36-22 & 26        |
| 1180.....      | 30-4                | 1562..... | 36-17 & 23        |
| 1197.....      | 34-8                | 1563..... | See Part #1684    |
| 1205.....      | 18-5                | 1568..... | 4-15              |
| 1206.....      | Use Part #1735      | 1569..... | 38-1              |
| 1207A.....     | 18-9                | 1570..... | 38-4              |
| 1213.....      | 22-9A               | 1588..... | 38-15             |
| 1219.....      | 9-6                 | 1589..... | 38-16             |
| 1220.....      | 9-4                 | 1590..... | 38-14             |
| 1221.....      | 4-44                | 1591..... | 38-13             |
| 1222.....      | 4-46                | 1592..... | 38-12             |
| 1223.....      | 4-29                | 1593..... | 38-11             |
| 1224-1.....    | 4-9                 | 1594..... | 38-2              |
| 1224-2, 3..... | 4-9                 | 1596..... | 38-7              |
| 1225.....      | 30-7                | 1597..... | 38-3              |
| 1226.....      | 30-8                | 1683..... | 36-19 & 30        |
| 1227.....      | 30-10A              | 1684..... | 36                |
| 1229.....      | 30-6                | 1698..... | 22-3              |
| 1230A.....     | 24-36A              | 1714..... | 4-6, 12-3         |
| 1231.....      | 24-42               | 1715..... | 4-48, 12-14       |
| 1232.....      | 4-26                | 1735..... | 18-10             |
| 1233.....      | 4-43                | 1813..... | See Part #1873    |
| 1235A.....     | 4-25A               | 1832..... | 38                |
| 1237.....      | 4-27                | 1837..... | 38                |
| 1238.....      | 14-38               | 1838..... | 26-3              |
| 1239.....      | 14-37               | 1839..... | 26-3              |
| 1245K.....     | 19                  | 1843..... | 24-36             |
| 1246.....      | 19                  | 1850..... | 38                |
| 1251.....      | 4-59                | 1868..... | 26-1A             |
| 1261.....      | Use Part #1019      | 1869..... | 26-1B             |
| 1268.....      | 4-12                | 1870..... | 26-1              |
| 1269.....      | 34-1                | 1872..... | 4-54, 12-13       |
| 1270-1A.....   | 18-4                | 1873..... | 36                |
| 1270-2A.....   | 18-3                | 1878..... | 4-25              |
| 1294.....      | 39-1                | 1879..... | 4-25B             |
| 1299-1.....    | 34-6                | 1881..... | 22-21             |
| 1299-2.....    | 34-7                | 1902..... | 4-8               |
| 1307.....      | 39                  | 1919..... | 20-2, 22-11       |
| 1317.....      | 35                  | 1920..... | 14-13, 20-9       |
| 1343.....      | Use Part #1813      | 1921..... | 20-7, 24-51       |
| 1400.....      | 40-22               | 1927..... | 26-2              |
| 1401.....      | 40-22               | 2100..... | 14-39, 20-8       |
| 1407.....      | 36                  | 2146..... | 24-61             |
| 1414.....      | 36-9                | 2156..... | See Part #1239    |
| 1415.....      | 36-10               | 4763..... | 14-23             |
| 1416.....      | 36-7                | 9109..... | 16-6              |
| 1417.....      | Use Part #1683      | 9110..... | 16-7              |
| 1418.....      | Use Part #1562      | 9111..... | 16-16             |
| 1419.....      | Use Part #1563      | 9112..... | 16-17             |
| 1424.....      | 30-10               | 9113..... | 16-15             |
| 1440.....      | 4-17                | 9115..... | 24-30A            |
| 1441.....      | 4-16                | 9116..... | 24-29             |
| 1442.....      | 4-14                | 9118..... | 24-33             |
| 1448.....      | 36-33               | 9119..... | 14-16, 22-20      |
| 1461.....      | 18-8                | 9120..... | 24-59             |
| 1463.....      | 18-6                | 9121..... | Use Part #9147    |
| 1468.....      | 28-13, 32-20        | 9122..... | 4-70, 12-18       |
| 1469.....      | Use Part #1552      | 9123..... | 28-1, 30-1, 32-1  |
| 1477.....      | Use Part #1552      | 9124..... | 30-2              |
| 1483.....      | 20-1, 22-10         | 9125..... | Use Part #9124    |
| 1484.....      | 14-4B, 20-4         | 9127..... | 28-9, 30-9, 32-11 |
| 1488.....      | 20-6, 24-54         | 9128..... | 30-5              |
| 1492.....      | 20-5, 24-46         | 9135..... | Use Part #1269    |
| 1496.....      | 4-59A               | 9136..... | 22-20A            |
| 1519.....      | 14-15               | 9141..... | 24-34, 30-3       |
| 1550.....      | See Part #1902      | 9142..... | 14-1              |
| 1552.....      | 28-4                | 9143..... | 16-1A             |
| 1554.....      | 32-7                | 9144..... | 16-1              |
| 1558.....      | See Part #1683      | 9145..... | 14-33             |

| Part No.  | Page & Index No.        | Part No.   | Page & Index No.         |
|-----------|-------------------------|------------|--------------------------|
| 9146..... | 16-21                   | 9719.....  | 4-12A                    |
| 9147..... | 22-8                    | 9721.....  | 38-9                     |
| 9148..... | 16-3                    | 9722.....  | Use Part #9733           |
| 9149..... | 16-13                   | 9723.....  | 14-19, 28-20, 30-22,     |
| 9150..... | 16-13A                  |            | 32-26                    |
| 9202..... | 30-13                   | 9725.....  | 34-9                     |
| 9218..... | 28-10, 30-23            | 9726.....  | 4-68A, 12-16A, 14-29     |
| 9223..... | 28-8, 32-10             | 9727.....  | 4-65 & 68, 12-7 & 16     |
| 9230..... | 28-3, 32-3              | 9731.....  | 39-9                     |
| 9240..... | 24-30                   | 9732.....  | 22-48                    |
| 9243..... | 28-2, 32-2              | 9733.....  | 24-31                    |
| 9245..... | 20-3, 22-18             | 9738.....  | 22-17                    |
| 9255..... | 28-5, 32-5              | 9751.....  | 4-63                     |
| 9265..... | 28-6, 32-6              | 9758.....  | 36-27                    |
| 9266..... | 32-8                    | 9759.....  | 36-11                    |
| 9295..... | 28-7, 30-2, 32-9        | 9765.....  | 34-2                     |
| 9300..... | 4-55                    | 9767.....  | 36-5                     |
| 9301..... | 4-13, 9-7 & 16, 14-5,   | 9773.....  | 4-12                     |
|           | 14-31                   | 9780.....  | 4-7                      |
| 9303..... | 22-2                    | 9784.....  | 38-10                    |
| 9305..... | 4-30A                   | 9786.....  | 38-6                     |
| 9307..... | 4-69                    | 9800.....  | 14-21, 28-22, 30-15,     |
| 9309..... | 4-38                    |            | 32-19                    |
| 9310..... | 22-6                    | 9801.....  | 4-64, 14-26, 24-49,      |
| 9317..... | 16-12, 24-40            |            | 28-18, 30-18A, 32-25,    |
| 9318..... | 34-12                   |            | 36-15 & 29               |
| 9322..... | 14-6, 16-2              | 9802.....  | 14-14, 16-10, 18-1,      |
| 9323..... | 24-58                   |            | 24-56, 34-11, 38-18      |
| 9347..... | 38-5                    | 9803.....  | 22-28, 36-13             |
| 9357..... | 4-30                    | 9804.....  | 36-3, 39-12, 40-19       |
| 9400..... | See Part #1714          | 9805.....  | 18-15, 40-17             |
| 9401..... | See Part #1714          | 9806.....  | 24-37                    |
| 9402..... | See Part #1715          | 9808.....  | 24-44                    |
| 9403..... | See Part #1715          | 9809.....  | 28-24, 30-25, 32-15      |
| 9404..... | 4-41                    | 9811.....  | 39-3                     |
| 9500..... | 9-2 & 11, 14-3          | 9824.....  | 34-5                     |
| 9501..... | 4-23A                   | 9826.....  | 28-19, 30-18, 32-13      |
| 9502..... | 4-45                    | 9828.....  | 38-8                     |
| 9504..... | 4-72                    | 9831.....  | 4-61                     |
| 9511..... | 4-23                    | 9902.....  | 14-35, 24-41, 28-16,     |
| 9558..... | 4-62                    |            | 30-16, 32-24, 34-4,      |
| 9600..... | 4-1, 12-1               |            | 36-16, 40-8              |
| 9602..... | See Part #9616          | 9903.....  | 14-11                    |
| 9603..... | 4-35, 12-15A            | 9904.....  | 24-57                    |
| 9604..... | 4-39, 12-6              | 9905.....  | 18-13, 36-6, 40-15       |
| 9609..... | 4-21, 12-5              | 9907.....  | 24-39                    |
| 9611..... | 4-18, 12-15             | 9908.....  | 18-12, 40-14             |
| 9616..... | 4-47, 12-10             | 9909.....  | 24-32                    |
| 9701..... | 4-3, 39-2               | 9910.....  | 4-4, 14-20, 28-21,       |
| 9703..... | 14-24, 28-27, 31, 32-29 |            | 30-14, 32-18             |
| 9704..... | 4-63, 22-4A & 60        | 9911.....  | 4-11 & 19                |
| 9705..... | 24-47, 36-8, 40-6       | 9912.....  | 14-25, 22-5, 24-48,      |
| 9706..... | 28-14, 30-11, 32-22     |            | 28-17, 30-17, 31-17,     |
| 9707..... | 22-4                    |            | 32-12, 36-14 & 28, 40-7  |
| 9708..... | 22-17B                  | 9913.....  | 4-67, 14-8 & 10, 16-9 &  |
| 9709..... | 16-18                   |            | 19, 22-16, 24-55, 28-26, |
| 9710..... | 14-9, 24-52, 36-20 & 31 |            | 30-20, 32-28, 34-4 & 28, |
| 9711..... | 18-2                    |            | 36-21 & 32, 39-6         |
| 9712..... | 14-36, 16-8             | 9914.....  | 18-7 & 14, 24-38, 36-12, |
| 9713..... | 4-66, 14-7, 28-25       |            | & 25, 39-8, 40-16        |
|           | 30-21, 32-27            | 9915.....  | 22-25                    |
| 9714..... | 39-7                    | 9919.....  | 34-3                     |
| 9715..... | 22-17A                  | 9921.....  | 28-23, 32-14             |
| 9716..... | 36-18 & 24              | 9925.....  | 38-17                    |
| 9717..... | 36-2, 39-11             | 20418..... | 29, 32-21                |
| 9718..... | 4-56                    | 20424..... | 32-4                     |

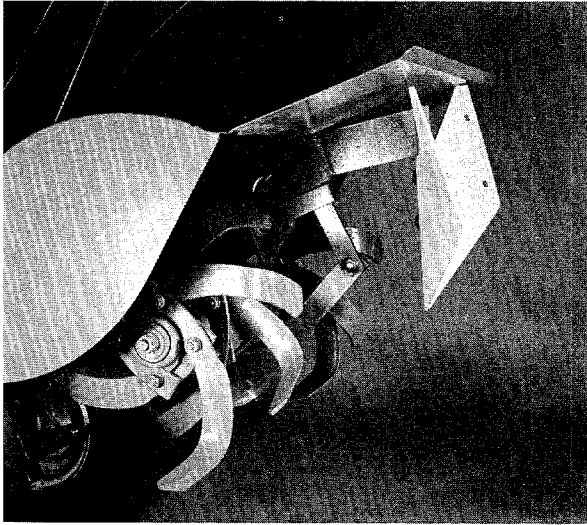
### EXPLANATION OF "RIGHT HAND" & "LEFT HAND"

Right Hand or Left Hand are determined by standing in the operator position and facing the direction of forward travel.

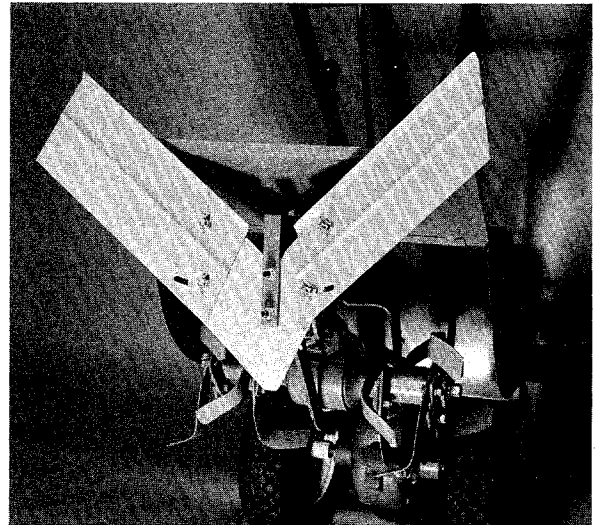
### PLEASE NOTE:

Illustrations of parts and components of your tiller in this Master Parts Catalog are shown consistently from a viewpoint on the left side of the tiller, in front of and slightly above the tiller and at a moderate angle (30

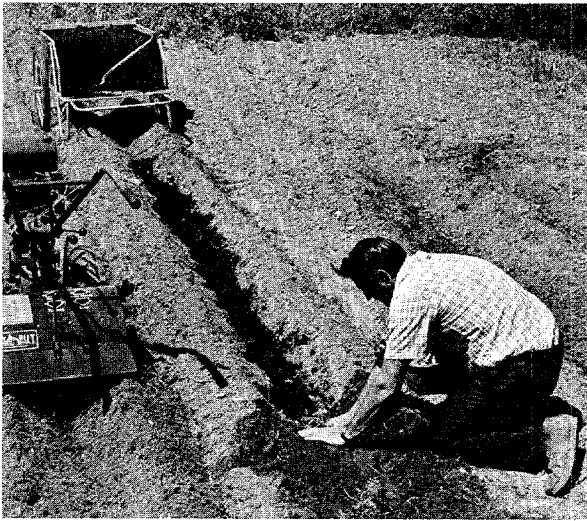
degrees). Nearly all of the illustrations use this reference position to view the part illustrated. However, in those circumstances where another view will provide more clarity, the drawing will also indicate that it is from another view, perhaps the rear view, for instance.



**Furrower and mounting bracket on tiller.**



**Hiller/Furrower has adjustable wings.**



**Setting out plants after using Furrower.**



**Hilling corn stalks with Hiller.**

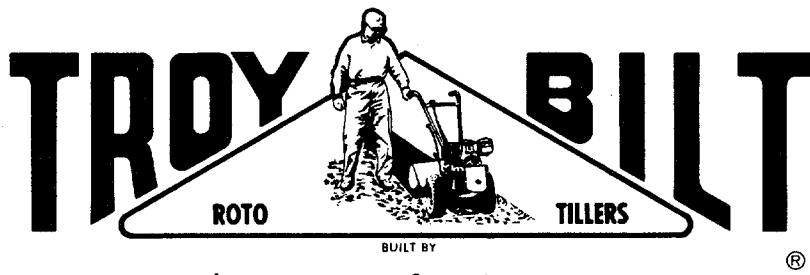


**Using Dozer Blade for light grading.**



**Clearing away snowfall with Dozer Blade.**





**Garden Way Manufacturing Company**

102nd Street & Ninth Avenue  
Troy, New York 12180  
1-800-833-6990

®