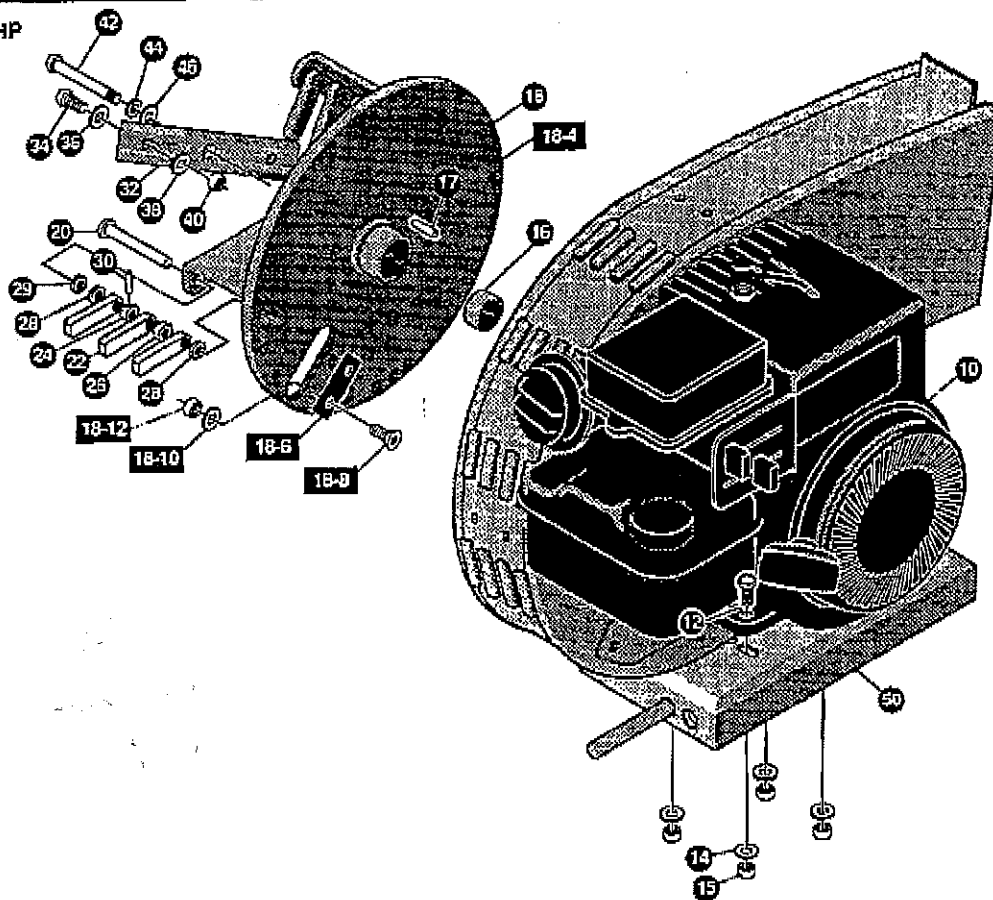


Illustrated Parts Lookup - 14066X60, 001 - ENGINE 8HP

8 HP CHIPPER/SHREDDER PARTS 14066X60

ENGINE 8HP



KEY #	PART #	DESCRIPTION
10		ENGINE, 8 HP (SEE ENGINE MANUAL)
12	331216	SCREW, 5/16-18X 1.50 IN.
14	332812	WASHER, FLAT .328 X 1.38 X .12
15	1498	NUT, 5/16-18 REGHEXTRLK
16	328869	SPACER, ENGINE 1.0X1.38X.187
17	305562	KEY, SQUARE .250SQX2.12LG
18	330321	ASSEMBLY, FLAIL BALANCING
18-4		NON-SERVICEABLE
18-6	319661	BLADE, CHIPPER
18-8	323328	SCREW, 5/16-24 X 1.00
18-10	120638	WASHER, HVSP TLK .328 X .60 X .09
18-12	414072	NUT, 5/16-24 REGHCTRLK
20	323839	PIN, FLAIL .50 X 2.81
22	319660	FLAIL
24	319659	SPACER, SPEC .515 X 1.00 X .700
26	325463	SPACER, SLEEVE .515 X 1.00 X .700
28	330516	WASHER, FLAT .515 X 1.00 X .060
29	330517	WASHER, FLAT .515 X 1.00 X .030
30	329416	RIVET, OVSET .188 X 1.094
32	319710	BLADE, ROTARY SHREDDER
34	302900	SCREW, 5/16-18 X 1.75 IN.
36	120393	WASHER, FLAT .344 X .69 X .065
38	2307	WASHER, FLAT .375 X .88 X .125
40	1498	NUT, 5/16-18 REGHCTRLK
42	326988	SCREW, 7/16-20 X 2.25 IN.
44	120383	WASHER, REGSP TLK .459 X .78 X .12
46	120388	FLATWASHER .439 X 1.00 X .083
50	327426-860	ENGINE MOUNT/AXLE ASSEMBLY
	337601	OWNER'S MANUAL

328241E

Illustrated Parts Lookup

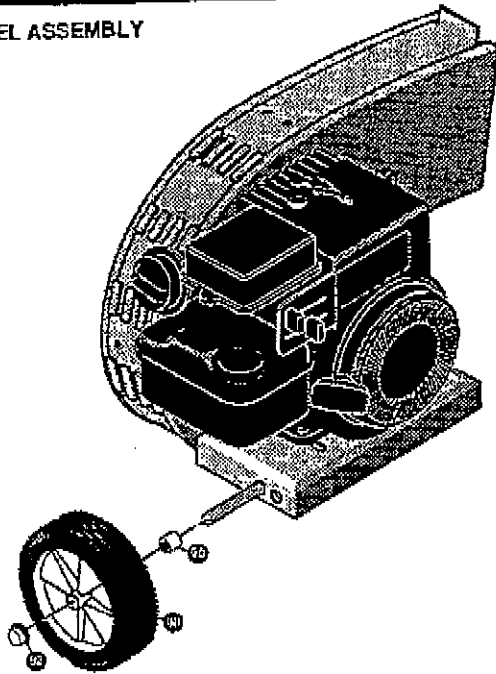
Parts for MURRAY Model "14066X60", Image Section "001 - ENGINE 8HP"

Item	Part Number	Part Description	Alt Part	Series	Qty
10	REFER	REFER TO IMAGE			
12	331216	SCREW, 5/16-18X1.50			
14	332812	WASHER, FLAT .328X1			
15	1498	NUT, 5/16-18 REGHEXC			
16	328869	SPACER, ENGINE 1.0X1			
17	305562	QX KEY, SQUARE .250S	024039		
18	330321	ASSY, FLAIL & BLADES			
18-4	REFER	REFER TO IMAGE			
18-6	319661	BLADE, CHIPPER			
18-8	323328	SCREW, 5/16-24 X 1.0			
18-10	120638	WASHER, HVSPTLK .328			
18-12	414072	NUT, 5/16-24 REGHCTR			
20	323839	QX NLA, PIN, FLAIL .			
22	319660	FLAIL, EQQ 200			
24	319659	SPACER, SPEC .515X1.			
26	325463	R/B 325463-853, SPAC	325463E701		
28	330516	WASHER, FLAT .515X1			
29	330517	R/B 711603, WASHER,	711603		
30	329416	RIVET, OVSET .188 X			
32	319710	BLADE, ROTARY SHREAD			
34	302900	SCREW, 5/16-18X1.75			
36	120393	WASHER, FLAT .344X			
38	2307	QX WASHER, FLAT .37			
40	1498	NUT, 5/16-18 REGHEXC			
42	326988	SCREW, 7/16-20X2.25			
44	120383	WASHER, REGSPTLK.459			
46	120388	WASHER, FLAT .438X1			
50	327426-860	MOUNT/AXLE, AY. ENG.			

Illustrated Parts Lookup - 14066X60, 002 - WHEEL ASSEMBLY/HOPPER ASSEMBLY

8 HP CHIPPER/SHREDDER PARTS 14066X60

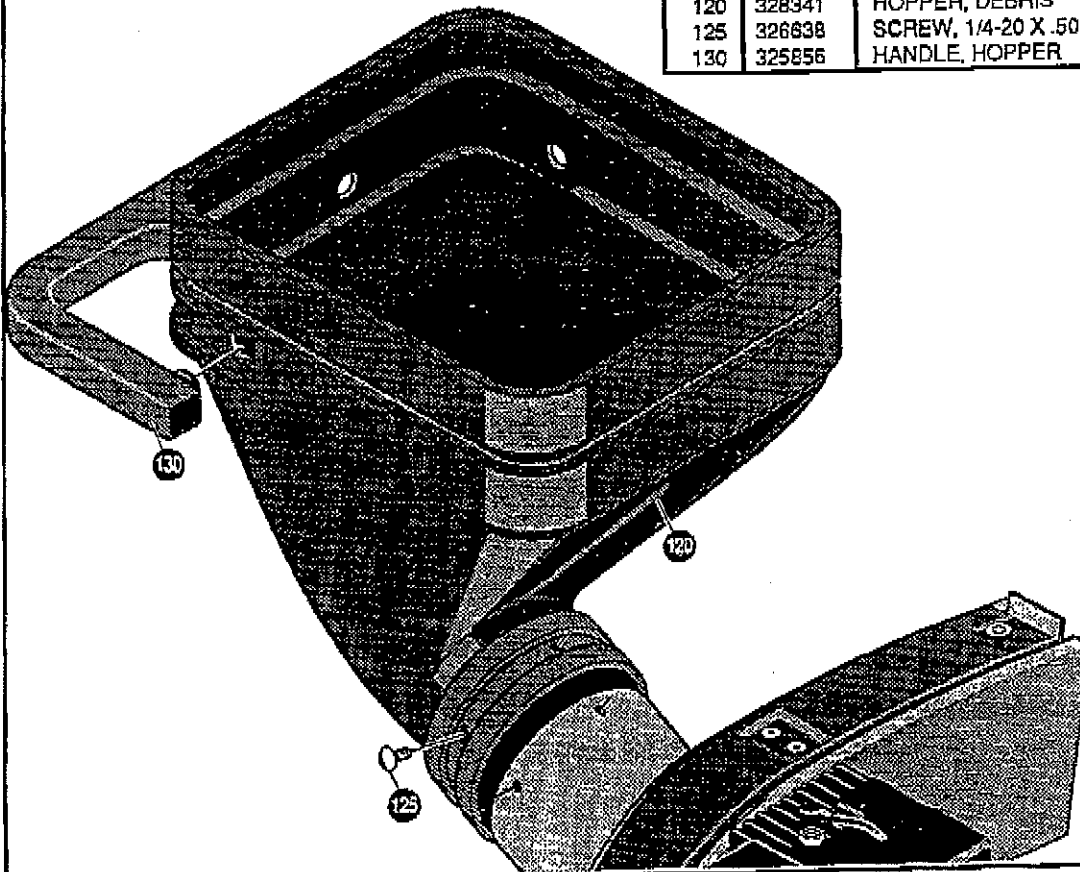
WHEEL ASSEMBLY



KEY #	PART#	DESCRIPTION
88	316330	TIRE & RIM SEPU 11X4 0X5
90	326863	SPACER, SLEV .640X1X 688
92	323326	NUT, PUSH ON 5/8"

328815A

HOPPER ASSEMBLY



KEY #	PART#	DESCRIPTION
120	328341	HOPPER, DEBRIS
125	326838	SCREW, 1/4-20 X .50 PHPN
130	325856	HANDLE, HOPPER

328818A

Illustrated Parts Lookup

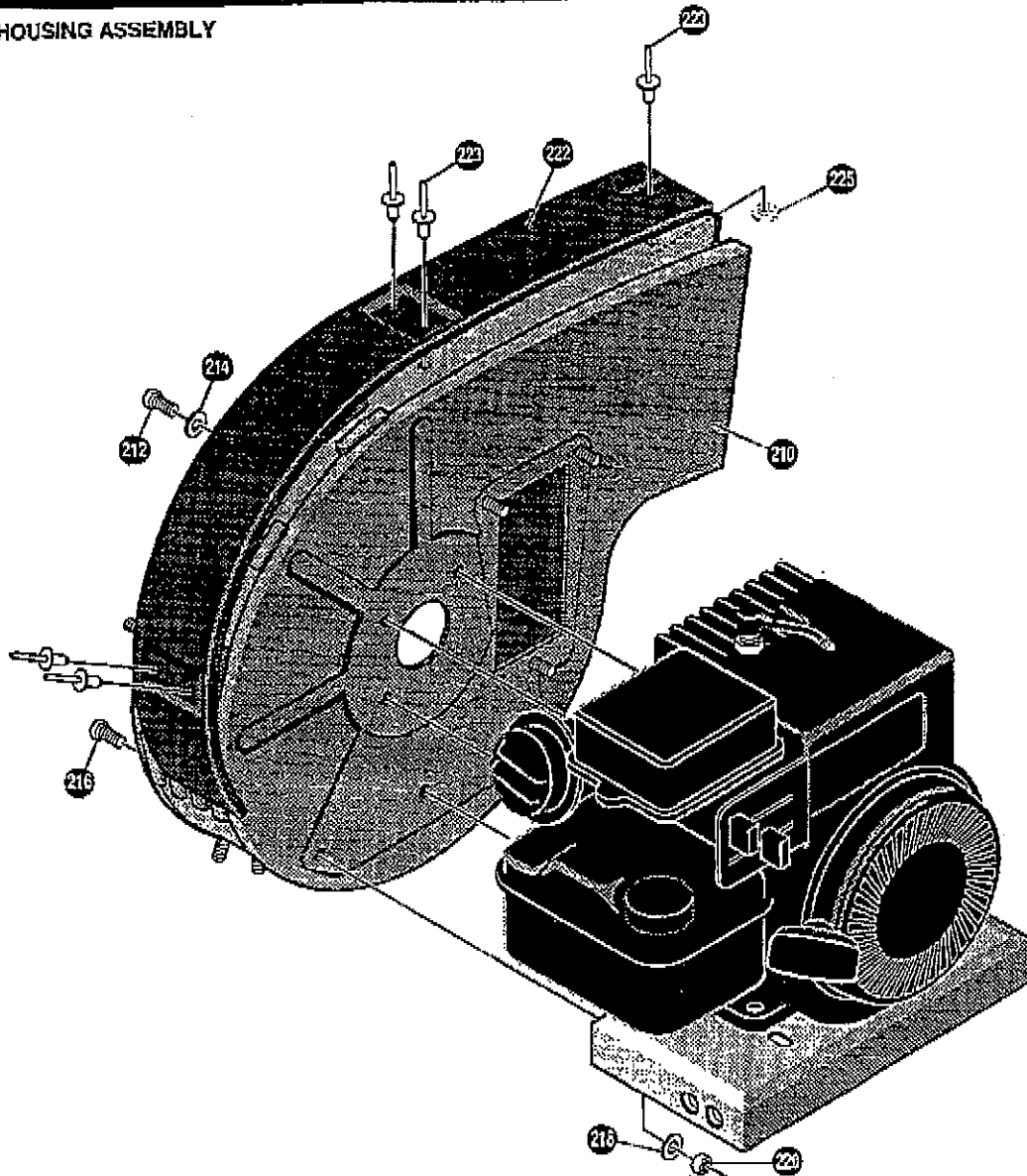
Parts for MURRAY Model "14066X60", Image Section "002 - WHEEL ASSEMBLY/HOPPER ASSEMBLY"

Item	Part Number	Part Description	Alt Part	Series	Qty
88	316330	TIRE & RIM, PU 11X4.			
90	326863	SPACER, SLEV .640X 1			
92	323326	NUT, PUSH ON 5/8"			
120	328341	HOPPER, DEBRIS			
125	326638	SCREW, 1/4-20X .50 P			
130	325856	HANDLE, HOPPER PL			

Illustrated Parts Lookup - 14066X60, 003 - FLAIL HOUSING ASSEMBLY

8 HP CHIPPER/SHREDDER PARTS 14066X60

FLAIL HOUSING ASSEMBLY



KEY #	PART#	DESCRIPTION
210	321248-860	FLAIL HOUSING, ASSEMBLY
212	181595	SCREW, 5/16-24 X .75
214	120638	WASHER, HVSP TLK .328 X .60 X .09
216	180077	SCREW, 5/16-18 X .75
218	120393	FLATWASHER, .344 X .69 X .065
220	1498	NUT, 5/16-18 REG HEX CTRLK
222	330878	SHROUD COVER, FLAIL
223		RIVET, POP (NON SERVICEABLE)
225	1501	FLATWASHER, .203x.55x.040

328816B

NOTE: KEY 223 IS A NON-SERVICEABLE ITEM. ORDER 55686 SCREW, 1/4-20 X .63 5LT5RMA, 57626 FLATWASHER, .281X.06, NUT 1/4-20 WDFL WHIZ LK AS SHOWN IN INSERT TO REPLACE THE RIVET.

Illustrated Parts Lookup

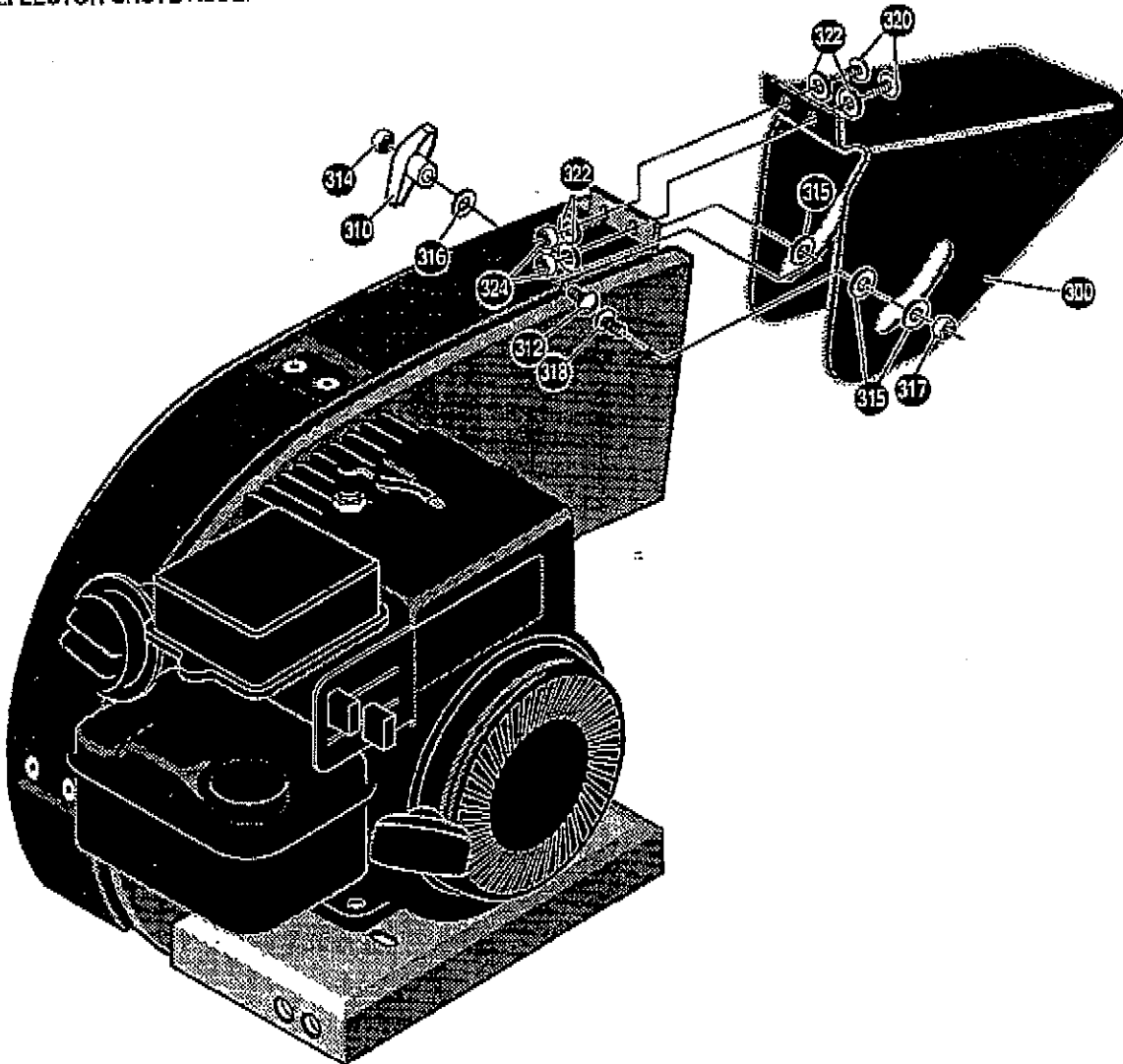
Parts for MURRAY Model "14066X60", Image Section "003 - FLAIL HOUSING ASSEMBLY"

Item	Part Number	Part Description	Alt Part	Series	Qty
210	321248-860	FLAIL HOUSING, ASSY	321248-853		
212	181595	SCREW, 5/16-24X .75			
214	120638	WASHER, HVSPTLK .328			
216	180077	SCREW, 5/16-18X .75			
218	120393	WASHER, FLAT .344X			
220	1498	NUT, 5/16-18 REGHEXC			
222	330878	SHROUD COVER, HSNG P			
223	REFER	REFER TO IMAGE			
225	1501	WASHER, FLAT .203X			

Illustrated Parts Lookup - 14066X60, 004 - DEFLECTOR CHUTE ASSEMBLY

8 HP CHIPPER/SHREDDER PARTS 14066X60

DEFLECTOR CHUTE ASSEMBLY



KEY #	PART#	DESCRIPTION
300	337555	CHUTE DEFLECTOR ASSY.
310	13527	KNOB, T 2 BLADE W 5/16-18 NUT
312	128358	BOLT, CARR 5/16-18X1.00 IN.
314	120376	NUT, 5/16-18 REGHEX
315	6711	WASHER, PLASTIC .315X.75X.054
316	307656	WASHER SPRIN .328X1.00X.059
317	1498	NUT, 5/16-18 REGHEXCTRLK
318	70993	CARR. BOLT 5/16-18X.75 IN.
320	180016	SCREW 1/4-20 X .50 IN.
322	120392	FLATWASHER .281X.63X.065
324	1502	NUT, 1/4-20 REGHEXCTRLK

329914B

Illustrated Parts Lookup

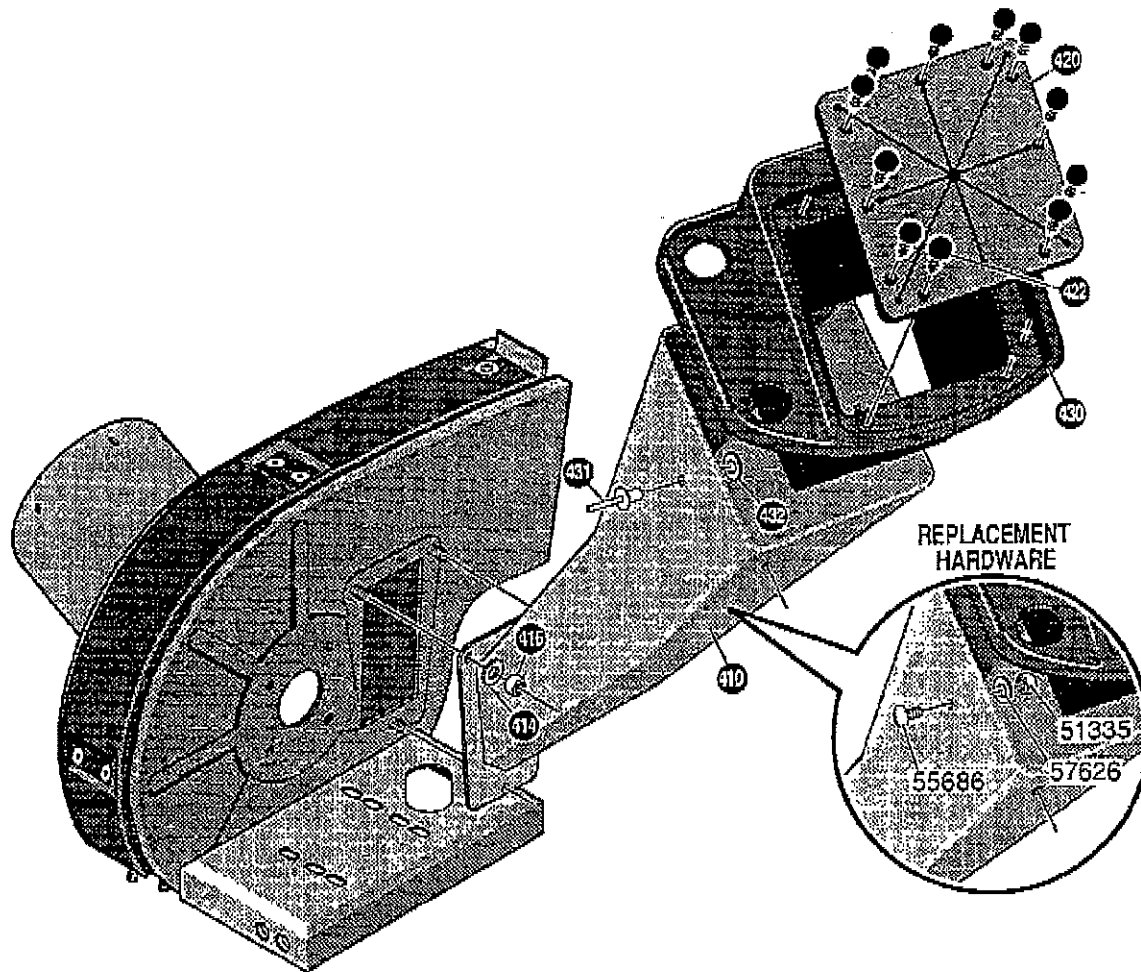
Parts for MURRAY Model "14066X60", Image Section "004 - DEFLECTOR CHUTE ASSEMBLY"

Item	Part Number	Part Description	Alt Part	Series	Qty
300	337555	ASSY, DEFL CHUTE C/S			
310	13527	KNOB, T 2BLADE W/516			
312	126358	BOLT, 5/16-18X1.00 C			
314	120376	NUT, 5/16-18 REGHEX			
315	6711	WASHER, PLASTIC .315			
316	307656	WASHER, SPR .328X1.0			
317	1498	NUT, 5/16-18 REGHEX			
318	70993	CARR BOLT 5/16-18X.75 IN.			
320	180016	SCREW, 1/4-20X .50 H			
322	120392	WASHER, FLAT .281X			
324	1502	QX NUT, 1/4-20 REGHE	782585		

Illustrated Parts Lookup - 14066X60, 005 - CHIP CHUTE ASSEMBLY

3 HP CHIPPER/SHREDDER PARTS 14066X60

CHIP CHUTE ASSEMBLY



KEY #	PART#	DESCRIPTION
410	319863-860	CHUTE, ASSEMBLY CHIPPER
414	120393	WASHER, FLAT .344 X .69 X .065
416	1498	NUT, 5/16-18 REGHEXCTRLK
420	323333	GUARD, CHIPPER CHUTE
422	309235	FASTENER, RATCHET
430	326834	HOOD, CHIP CHUTE
431		RIVET (NON SERVICEABLE)
432	1501	WASHER, FLAT .203 X .56 X .040

328810B

NOTE: KEY 431 IS A NON-SERVICEABLE ITEM. ORDER 55686 SCREW, 1/4-20 X .63 SLTSRMA, 57626 FLATWASHER, .281X.06, NUT 1/4-20 WDFL WHIZ LK AS SHOWN IN INSERT TO REPLACE THE RIVET.

Illustrated Parts Lookup

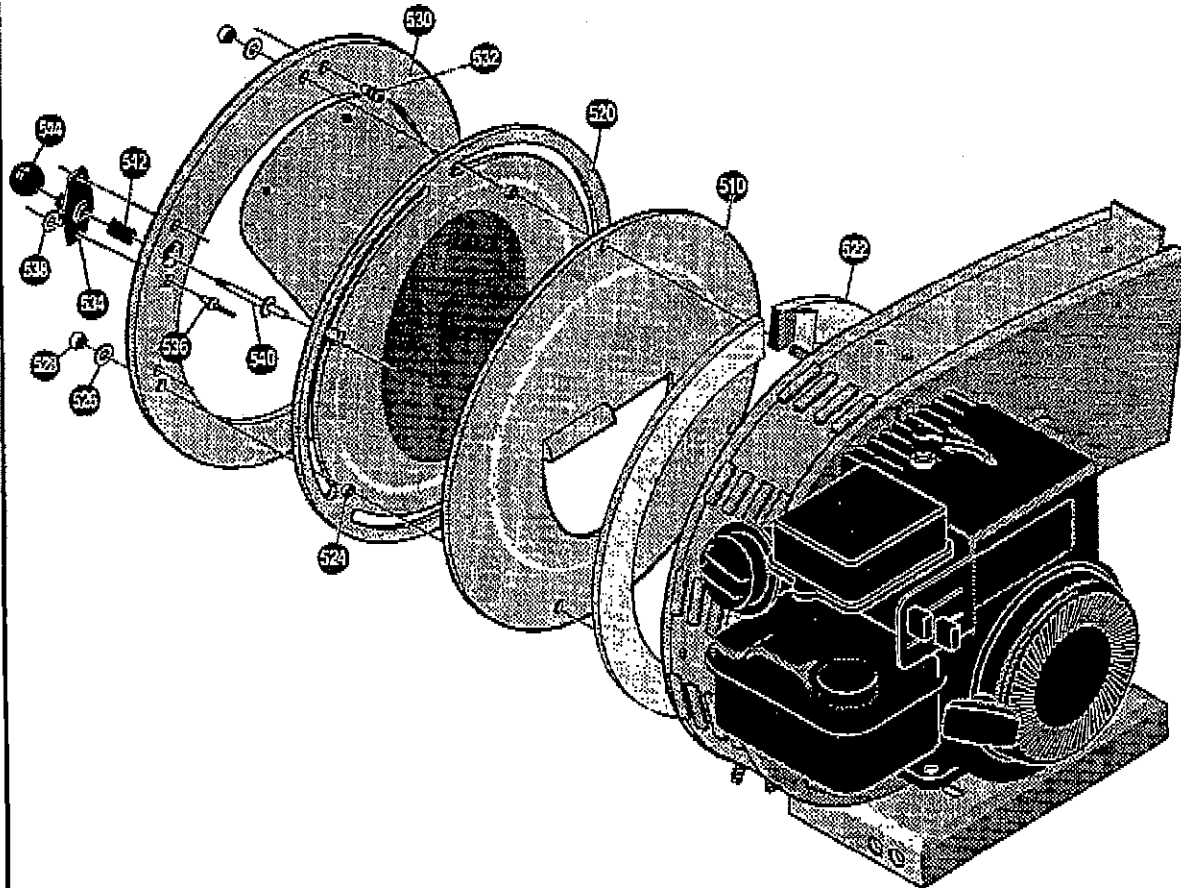
Parts for MURRAY Model "14066X60", Image Section "005 - CHIP CHUTE ASSEMBLY"

Item	Part Number	Part Description	Alt Part	Series	Qty
410	319863-860	CHUTE, ASSY CHIPPER			
414	120393	WASHER, FLAT .344X			
416	1498	NUT, 5/16-18 REGHEXC			
420	323333	GUARD, CHIPPER CHUTE			
422	309235	FASTENER, RATCHET B			
430	326834	HOOD, CHIP CHUTE P			
431	REFER	REFER TO IMAGE			
432	1501	WASHER, FLAT .203X			

Illustrated Parts Lookup - 14066X60, 006 - CHUTE TUBE PLATE ASSEMBLY

8 HP CHIPPER/SHREDDER PARTS 14066X60

CHUTE TUBE & PLATE ASSEMBLY



KEY #	PART #	DESCRIPTION
510	322864-860	PLATE, STATION ROTATE CHUTE
520	322777-860	TUBE & PLATE, ASSEMBLY CHUTE
522	323338	SEAL, SHREDDER CHUTE
524	322738	BUSHING, ROTATE CHUTE
526	996416	WASHER, FLAT .391 X 1.00 X .125
528	1499	NUT, 3/8-16 REGHCTRLK
530	322776-860	RETAINER COVER
532	324197	FITTING, LUB - PRESS FIT
534	323932	SPRING RETAINER
536	46763	RIVET, POP .187X.450
538	414106	WASHER, FLAT .188X.38X.040
540	322741	RELEASE, HANDLE
542	322739	SPRING, COMPRESSION
544	325083	KNOB

3288188

Illustrated Parts Lookup

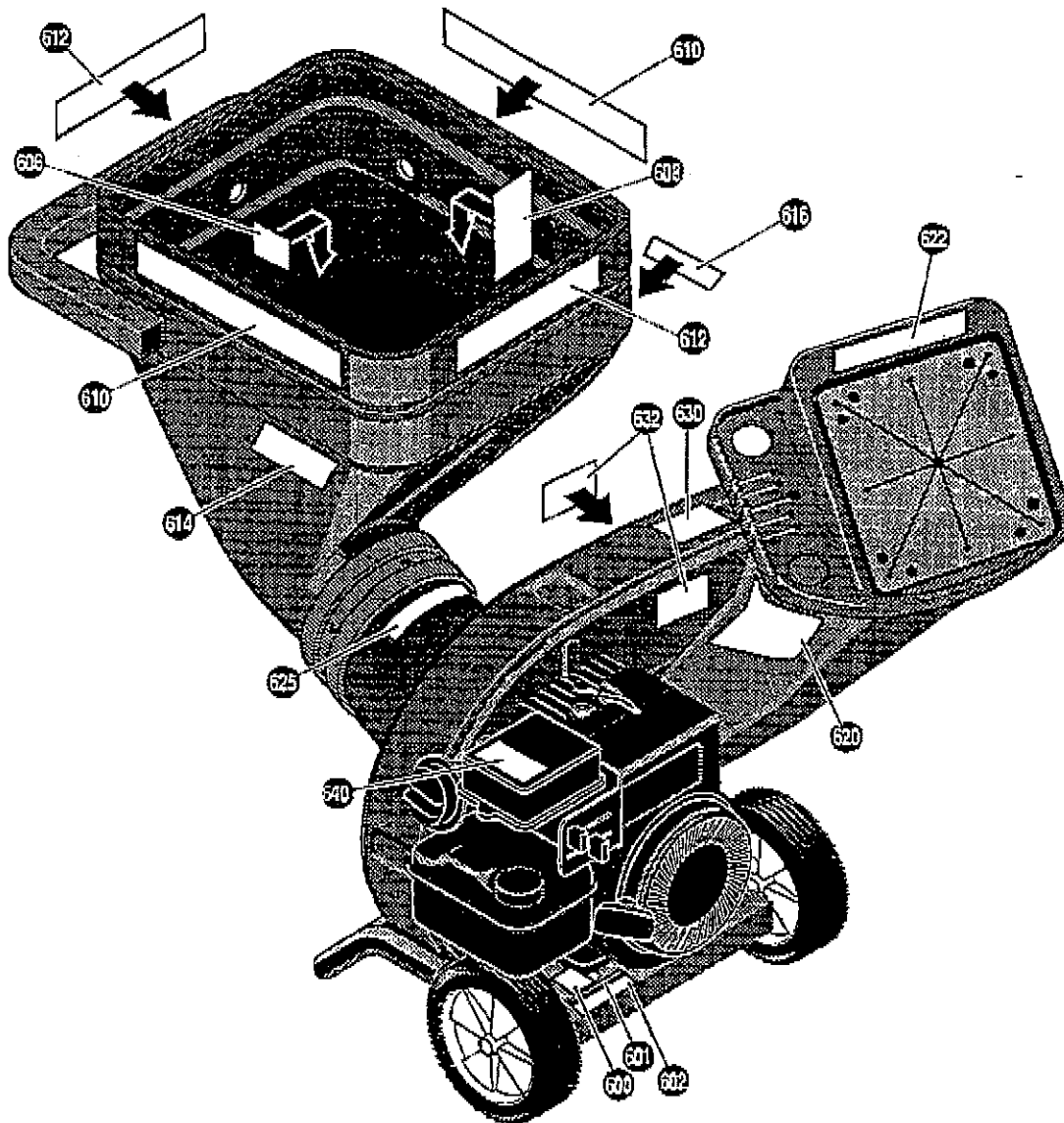
Parts for MURRAY Model "14066X60", Image Section "006 - CHUTE TUBE & PLATE ASSEMBLY"

Item	Part Number	Part Description	Alt Part	Series	Qty
510	322864-860	PLATE, STATION ROTAT			
520	322777-860	TUBE & PLATE, ASSEMBLY CHUTE			
522	323338	SEAL,SHREDDER CHUTE			
524	322738	BUSHING ROTAT CHUTE			
526	996416	R/B 583409, WASHER,	583409		
528	1499	NUT,3/8-16 REGHXCTRL			
530	322776-860	COVER, RETAINER			
532	324197	FITTING, LUB.-PRESS			
534	323932	RETAINER, SPRING			
536	46763	QX RIVET, POP .187DI			
538	414106	WASHER, FLAT 188X			
540	322741	QX,RELEASE, HANDLE			
542	322739	SPRING, COMPRESSION			
544	325083	KNOB, .75 DIA (MOLDE			

Illustrated Parts Lookup - 14066X60, 007 - DECALS

8 HP CHIPPER/SHREDDER PARTS 14066X60

DECALS



KEY #	PART#	DESCRIPTION
600		REFERENCE ONLY
602		REFERENCE ONLY
606	326058	DECAL, DANGER ROT. BLADE W/LINE
608	328744	DECAL, DANGER, CAUTION
610	337804	DECAL, TSC, HUSKEE RH
610	337605	DECAL, TSC HUSKEE LH
620	328792	DECAL, OPERATOR
622	326878	DECAL, CHIPPER CAP DANGER
625	402651	DECAL, ROTATING HOPPER
630	330821	DECAL, DANGER ROT. BLADES
632	328743	DECAL, DANGER, FASTEN HOPPER

329752D

Illustrated Parts Lookup

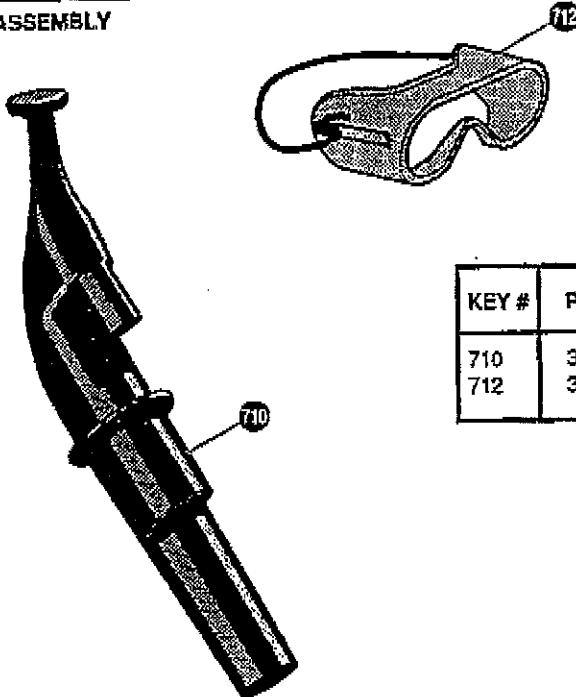
Parts for MURRAY Model "14066X60", Image Section "007 - DECALS"

Item	Part Number	Part Description	Alt Part	Series	Qty
600	REFER	REFER TO IMAGE			
602	REFER	REFER TO IMAGE			
606	326058	DECAL,DANGER,ROT. BL			
608	328744	DECAL, DANGER - CAUT			
610	337604	DECAL			
	337605	DECAL			
620	328792	DECAL, OPERATOR			
622	326878	DECAL, CHIPPER CAP D			
625	402551	DECAL, ROTATING HOPP			
630	330821	DECAL, DANGER, ROT.			
632	328743	DECAL, DANGER, FASTE			

Illustrated Parts Lookup - 14066X60, 008 - TOOLS ASSEMBLY/BAG COLLECTOR ASSY

8 HP CHIPPER/SHREDDER PARTS 14066X60

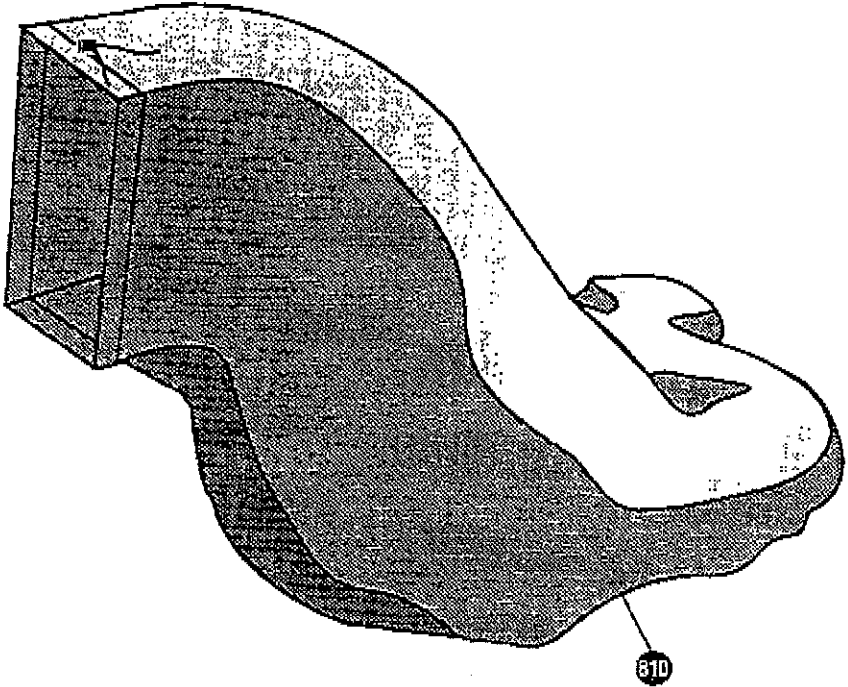
TOOLS ASSEMBLY



KEY #	PART#	DESCRIPTION
710	327243	TAMPER, CHIP/SHRED
712	327789	GOGGLES, VENTED

326090A-326244A

BAG COLLECTOR ASSEMBLY



KEY #	PART#	DESCRIPTION
810	320976	BAG, COLLECTOR, DRAW STRING

328248B

Illustrated Parts Lookup

Parts for MURRAY Model "14066X60", Image Section "008 - TOOLS ASSEMBLY/BAG
COLLECTOR ASSY"

Item	Part Number	Part Description	Alt Part	Series	Qty
710	327243	TAMPER, LONG P			
712	327789	GOGGLES, VENTED, POL			
810	320376	BAG, COLLECTOR, DRAW			