

VOL. 2

Quick Reference Guide For Year 2000



**Proper Fit.
Proven Performance.™**

S-1356

BrentChalmers.com

PREFACE:

Some of the products featured in this publication may have been in the early stages of development when this information was compiled. Later in the development of the product it may have been necessary to modify a design for improvement purposes.

We feel the desire to keep the Servicing Dealer as informed as we can far outweighs the limited amount of confusion that may be caused by our presenting early design information. If you have any questions or comments concerning a model or part shown in this publication, don't hesitate to call your Service Distributor or Central Parts Distributor.

Thanks,

**Murray Inc.
Service Department
Brentwood, TN**

Special Thanks to the Technical Services Group for making the update program happen.



- Dave Miller
- Howard Weems
- David Parr
- Barry Ramsey
- Gil Sharer
- Diane Senter
- Malcolm Richardson

Copyright © 1999 Murray, Inc.

All rights reserved. No part of this publication may be reproduced, in whole or in part, or transmitted in any form or by any means, electronic, mechanical, or otherwise, without prior written permission of Murray, Inc.

QUICK REFERENCE PARTS

**46" GT RAIL FRAME
Complete Mower Deck
P/N 776111**

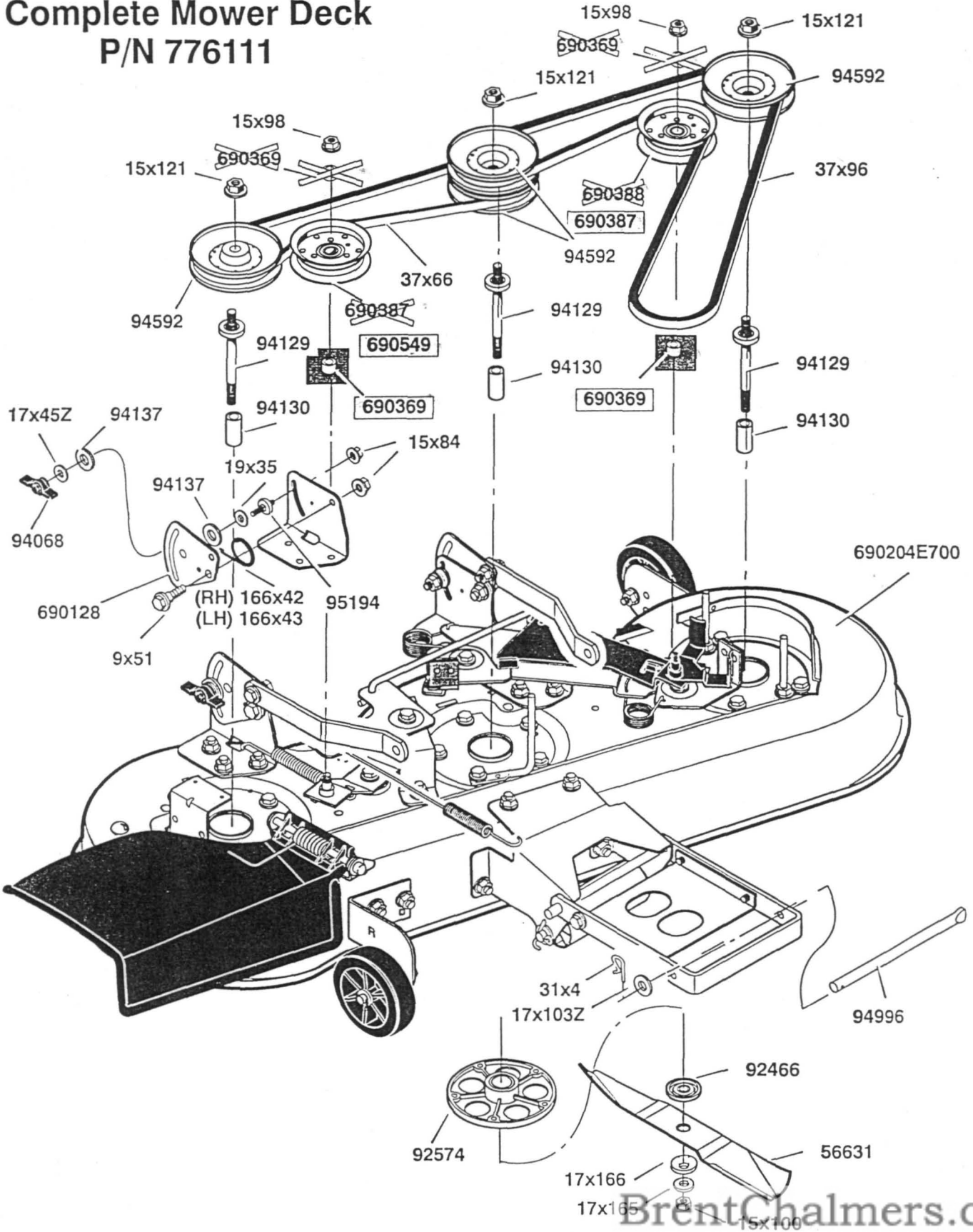


TABLE OF CONTENTS

PREFACE:	2
TABLE OF CONTENTS	3
PRODUCT WARRANTY INFORMATION	4
LAWN MOWER PRODUCT 2 YEAR WARRANTY	4
LAWN MOWER PRODUCT 1 YEAR WARRANTY	5
OUTDOOR POWER EQUIPMENT ACCESSORIES	6
GO-KART PRODUCT WARRANTY	7
SNOW PRODUCT WARRANTY	8
SERVICE PARTS LIMITED WARRANTY	9
COMPONENT/ATTACHMENT WARRANTY INFORMATION	10
MURRAY, INC WARRANTY CLAIM FORM	11
ISSUES NOT COVERED UNDER MURRAY'S WARRANTY	13
DIAGNOSING PROBLEMS	14
MICROFICHE ORDER FORM	16
2000 RIDING MOWER PRODUCT ACCESSORIES	17
QUICK REFERENCE PARTS	18
STACK PULLEYS	18
NEW SPLIT-STEEL STACK PULLEYS	21
MANDREL (JACKSHAFT) HOUSINGS	22
MANDRELS (JACKSHAFTS)	23
QUICK REFERENCE MOWER DECK PARTS	30
50" & 48" LT RAIL FRAME COMPLETE MOWER DECK P/N 776009	30
46" LT RAIL FRAME COMPLETE MOWER DECK P/N 776008	31
42" LT RAIL FRAME COMPLETE MOWER DECK P/N 776007	32
40" LT RAIL FRAME COMPLETE MOWER DECK P/N 776001	33
38" LT RAIL FRAME COMPLETE MOWER DECK P/N 776000	34
30" EXPORT LAWN TRACTOR COMPLETE MOWER DECK P/N 776110	35
SCOTT'S 50" LT RAIL FRAME HOME DEPOT COMPLETE MOWER DECK P/N 344631	36
SCOTT'S 46" LT RAIL FRAME HOME DEPOT COMPLETE MOWER DECK P/N 779012	37
SCOTT'S 42" LT RAIL FRAME HOME DEPOT COMPLETE MOWER DECK P/N 779010	38
52" GT RAIL FRAME COMPLETE MOWER DECK P/N 776112	39
46" GT RAIL FRAME COMPLETE MOWER DECK P/N 776111	40
52" GT OLD STYLE (1998) COMPLETE MOWER DECK P/N 776010	41
46" GT OLD STYLE COMPLETE MOWER DECK P/N 403337	42
30" REAR ENGINE RIDER COMPLETE MOWER DECK P/N 403330 WITH MULCH KIT ADDED P/N 403345	43
LAWN MOWER REPLACEMENT BLADES	44
MURRAY, INC. CENTRAL PARTS DISTRIBUTORS	63

PRODUCT WARRANTY INFORMATION

MURRAY, INC. Two Year Limited Warranty LAWN MOWER PRODUCT 2 YEAR WARRANTY

Murray, Inc. warrants to the original purchaser that this unit shall be free from defects in material and workmanship under normal use and service for a period of **Two (2) Years** from the date of purchase; however, this warranty does not cover engines, accessories (such as snow blowers, snow blades, grass baggers and plows), transmissions, batteries and Normal Wear Parts (except as noted below) or transaxles as the companies that manufacture these items furnish their own warranties and provide service through their authorized field service facilities. For additional information, see the warranties covering these particular parts. If you are uncertain whether your unit contains or is equipped with one or more of these parts, consult your dealer prior to purchase. Subject to the terms and conditions noted in this Limited Warranty, we shall, at our option, repair or replace at no cost to the original purchaser any part covered by this Limited Warranty during the applicable warranty period.

In the event the battery proves defective within ninety (90) days from the date of purchase, we will replace it without charge. If the battery proves defective after (90) days but within one hundred twenty (120) days from the date of purchase, we will replace it for a charge of one half (1/2) of the retail price of the battery in effect at the time of return.

Normal Wear Parts are defined as belts, blades, blade adapters, pneumatic tires, headlights and seat covers. These parts are warranted to be free from defects in material and workmanship as delivered with the product. Any claim for repair or replacement of Normal Wear Parts must be made within thirty (30) days of the date of purchase. No claims involving damage caused from material use, abuse or misuse will be honored.

This **Murray, Inc. Two (2) Year Limited Warranty** is your exclusive remedy; however, this warranty is void or does not apply to any unit that has been tampered with, altered, misused, abused or used for rental or other commercial and/or professional (non-homeowner) uses. Your warranty does not cover minor mechanical adjustments which are not due to any defect in material or workmanship. For assistance in making such adjustments, consult your Instruction Book.

To make a claim under this **Murray, Inc. Two (2) Year Limited Warranty**, return the unit (or if authorized in advance, the defective part) along with your proof of purchase to an Authorized Service Center near you. To locate the nearest Authorized Service Center, call the Central Parts Distributor for your area shown in the list provided with your unit or check the Yellow Page listings in your local telephone directory. If you return the entire unit, we will repair the unit. If we authorize the return of the defective part only, we will either replace or repair the part. In the case of a defect in a transmission or differential (as distinguished from a transaxle), the entire transmission or differential must be returned since they do not include user serviceable parts.

This **Murray, Inc. Two (2) Year Limited Warranty** gives you specific legal rights, and you may also have other rights which vary from state to state. **This Limited Warranty is given in lieu of all other expressed and implied warranties including the implied warranty of merchantability and warranty of fitness for a particular purpose.** If you need additional information on this written warranty or assistance in obtaining service, write or call:

MURRAY, INC.
Outdoor Power Equipment
Customer Service Department
P.O. Box 268; Brentwood, Tennessee 37024-0268
1-800-251-8007

MURRAY, INC. One Year Limited Warranty
LAWN MOWER PRODUCT 1 YEAR WARRANTY

Murray, Inc. warrants to the original purchaser that this unit shall be free from defects in material and workmanship under normal use and service for a period of **One (1) Year** from the date of purchase; however, this warranty does not cover engines, accessories (such as snow blowers, snow blades, grass baggers and plows), transmissions, batteries and Normal Wear Parts (except as noted below) or transaxles as the companies that manufacture these items furnish their own warranties and provide service through their authorized field service facilities. For additional information, see the warranties covering these particular parts. If you are uncertain whether your unit contains or is equipped with one or more of these parts, consult your dealer prior to purchase. Subject to the terms and conditions noted in this Limited Warranty, we shall, at our option, repair or replace at no cost to the original purchaser any part covered by this Limited Warranty during the applicable warranty period.

In the event the battery proves defective within ninety (90) days from the date of purchase, we will replace it without charge. If the battery proves defective after (90) days but within one hundred twenty (120) days from the date of purchase, we will replace it for a charge of one half (1/2) of the retail price of the battery in effect at the time of return.

Normal Wear Parts are defined as belts, blades, blade adapters, pneumatic tires, headlights and seat covers. These parts are warranted to be free from defects in material and workmanship as delivered with the product. Any claim for repair or replacement of Normal Wear Parts must be made within thirty (30) days of the date of purchase. No claims involving damage caused from material use, abuse or misuse will be honored.

This **Murray, Inc. One (1) Year Limited Warranty** is your exclusive remedy; however, this warranty is void or does not apply to any unit that has been tampered with, altered, misused, abused or used for rental or other commercial and/or professional (non-homeowner) uses. Your warranty does not cover minor mechanical adjustments which are not due to any defect in material or workmanship. For assistance in making such adjustments, consult your Instruction Book.

To make a claim under this **Murray, Inc. One (1) Year Limited Warranty**, return the unit (or if authorized in advance, the defective part) along with your proof of purchase to an Authorized Service Center near you. To locate the nearest Authorized Service Center, call the Central Parts Distributor for your area shown in the list provided with your unit or check the Yellow Page listings in your local telephone directory. If you return the entire unit, we will repair the unit. If we authorize the return of the defective part only, we will either replace or repair the part. In the case of a defect in a transmission or differential (as distinguished from a transaxle), the entire transmission or differential must be returned since they do not include user serviceable parts.

This **Murray, Inc. One (1) Year Limited Warranty** gives you specific legal rights, and you may also have other rights which vary from state to state. **This Limited Warranty is given in lieu of all other expressed and implied warranties including the implied warranty of merchantability and warranty of fitness for a particular purpose.** If you need additional information on this written warranty or assistance in obtaining service, write or call:

MURRAY, INC.; Outdoor Power Equipment; Customer Service Department
P.O. Box 268; Brentwood, Tennessee 37024-0268
1-800-251-8007

MURRAY, INC. Limited Warranty
OUTDOOR POWER EQUIPMENT ACCESSORIES

Murray, Inc. warrants to the original user-purchaser that this outdoor power equipment accessory shall be free from defects in material and workmanship under normal use and service for the periods of time set forth below. All time periods start with the date of purchase. This limited warranty does not cover outdoor power equipment units such as walk behind or riding lawnmowers, as well as components of those units, such as engines and gearboxes, which are warranted by their respective manufacturers. If you are uncertain whether your unit is covered by this Outdoor Power Equipment Accessory Limited Warranty or by an original equipment warranty, consult your dealer prior to purchase. Subject to the conditions and exclusions noted in this Limited Warranty, we shall, at our option, repair or replace any warranted part during the applicable warranty period.

In the event that any metal component of your unit proves defective within two (2) years from the date of purchase, we will repair or replace the component without charge. If any non-metal component (such as fabric grass bag or plastic part) proves defective within one hundred eighty (180) days from the date of purchase, we will repair or replace the part without charge.

This Limited Warranty is your exclusive remedy and does not apply to any unit that has been tampered with, altered, misused, abused or used for rental or other commercial and/or professional (non-homeowner) uses. This Limited Warranty does not cover minor mechanical adjustments which are not due to any defect in material or workmanship. For assistance in making such adjustments, consult your Instruction Book.

To make a claim under this Limited Warranty, return the unit (or if authorized in advance in writing, the defective part) along with your proof of purchase to the nearest Authorized Service Center near you. To locate the nearest Authorized Service Center, call the Central Parts Distributor for your area shown in the list provided with your unit or with the Murray outdoor power equipment which you purchased or check the Yellow Page listings in your local telephone directory. If you return the entire unit, we will repair the unit. If we authorize the return of the defective part only, we will either replace or repair the part. In the case of a defect in a non-metal part which we elect to repair rather than replace, we assume no responsibility for making the appearance of the repaired part conform to the appearance of the part as originally sold.

This Limited Warranty gives you specific legal rights, and you may also have other rights which vary from state to state. If you need additional information on this written warranty or assistance in obtaining service, write or call:

MURRAY, INC.
Outdoor Power Equipment
Customer Service Department
P.O. Box 268; Brentwood, Tennessee 37024-0268
1-800-251-8007

MURRAY, INC. Limited Go-Kart Warranty

GO-KART PRODUCT WARRANTY

Murray, Inc. warrants to the original purchaser of this unit that the welded chassis, spindles, kingpin assemblies, and the brush guard tubes shall be free from defects in material and workmanship under normal use for a period of Ninety (90) Days from date of purchase; however, this warranty does not cover the engine as the company that manufactures the engine furnish their own warranty and service through their authorized field service facility. For additional information, see the warranty covering the engine.

Warranty Periods And/Or Items Covered

I. Ninety (90) Days from date of purchase – Warranty covers normal use (void if bent, altered, or abused)

- Welded chassis assembly
- Fenders, guards, and safety devices
- Front spindles, rear axle, and tie rods
- Kingpin assemblies
- Wheels
- Pedals, rods, and springs

II. Normal Wear Parts (listed below) – Warranted to be free from defects in material and workmanship as delivered with the product. No claims involving damage caused by material use, abuse or misuse will be honored. This warranty does not cover any parts that are broken, bent, damaged, or abused.

- Tires
- Chain
- Accelerator cable
- Seat, seat cover, and head rest
- Bearings
- Sprockets
- Centrifugal clutch and/or torque converter
- Brake band, brake pads, and brake disc

III. Engine – Engine manufacturer furnishes separate warranty

This Murray, Inc. Limited Warranty is your exclusive remedy; however, this warranty is void or does not apply to any unit that has been tampered with, altered, misused, abused or used for commercial purposes. Your warranty does not cover minor mechanical adjustments which are not due to any defect in material or workmanship. For assistance in making such adjustments, consult your Instruction Book.

To make a claim under the Murray, Inc. Limited Warranty, return the unit (or if authorized in advance, the defective part) along with your proof of purchase to an Authorized Service Center near you. To locate the nearest Authorized Service Center, call the Central Parts Distributor for your area shown in the list provided with your unit or check the Yellow Page listings in your local telephone directory. If you return the entire unit, we will repair the unit. If we authorize the return of the defective part only, we will either replace or repair the defective part.

This **Murray, Inc. Limited Warranty** gives you specific legal rights, and you may also have other rights which vary from state to state. **This Limited Warranty is given in lieu of all other expressed and implied warranties including the implied warranty of merchantability and warranty of fitness for a particular purpose.** If you need additional information on this written warranty or assistance in obtaining service, write or call:

MURRAY, INC.

Outdoor Power Equipment; Customer Service Department
P.O. Box 268; Brentwood, Tennessee 37024-0268
1-800-251-8007

MURRAY, INC. Two Year Limited Warranty SNOW PRODUCT WARRANTY

Murray, Inc. warrants to the original purchaser that this **Snow Thrower** shall be free from defects in material and workmanship under normal use and service for a period of **Two (2) Years** from the date of purchase; however, this warranty does not cover engines, accessories (such as electric starters), and Normal Wear Parts (except as noted below). The companies that manufacture these items furnish their own warranties and provide service through their authorized field service facilities. For additional information, see the warranties covering these particular parts. If you are uncertain whether your unit contains or is equipped with one or more of these parts, consult your dealer prior to purchase. Subject to the terms and conditions noted in this Limited Warranty, we shall, at our option, repair or replace at no cost to the original purchaser any part covered by this Limited Warranty during the applicable warranty period.

Normal Wear Parts are defined as drive belts, augers, shear pins, tires and headlights. These parts are warranted to be free from defects in material and workmanship as delivered with the product. Any claim for repair or replacement of Normal Wear Parts must be made within thirty (30) days of the date of purchase. No claims involving damage caused from material use, abuse or misuse will be honored.

This **Murray, Inc. Two (2) Year Limited Warranty** is your exclusive remedy; however, this warranty is void or does not apply to any unit that has been tampered with, altered, misused, abused or used for rental or other commercial and/or professional (non-homeowner) uses. Your warranty does not cover minor mechanical adjustments which are not due to any defect in material or workmanship. For assistance in making such adjustments, consult your Instruction Book.

To make a claim under this **Murray, Inc. Two (2) Year Limited Warranty**, return the unit (or if authorized in advance, the defective part) along with your proof of purchase to an Authorized Service Center near you. To locate the nearest Authorized Service Center, call the Central Parts Distributor for your area shown in the list provided with your unit or check the Yellow Page listings in your local telephone directory. If you return the entire unit, we will repair the unit. If we authorize the return of the defective part only, we will either replace or repair the part.

This **Murray, Inc. Two (2) Year Limited Warranty** gives you specific legal rights, and you may also have other rights which vary from state to state. **This Limited Warranty is given in lieu of all other expressed and implied warranties including the implied warranty of merchantability and warranty of fitness for a particular purpose.** If you need additional information on this written warranty or assistance in obtaining service, write or call:

MURRAY, INC.
Outdoor Power Equipment
Customer Service Department
P.O. Box 268; Brentwood, Tennessee 37024-0268
1-800-251-8007

MURRAY, INC

SERVICE PARTS LIMITED WARRANTY

Murray, Inc warrants that all Murray Original Equipment service parts will be free of defects for a period of 90 days from the date of purchase. This warranty does not cover engines, transmissions, transaxles, batteries, or accessories not manufactured by Murray, (snow thrower attachments, gardening attachments, etc.). The companies that manufacture these items furnish their own warranties and provide service through their Authorized Service Centers. Electrical components and normal wear parts are warranted to be free of material or manufacturer defects at time of sale. **Refer to the Murray warranty for your particular product for information on normal wear parts.** No warranty claims involving damage caused by alteration, abuse, misuse or damage caused by improper installation will be honored. Also, no claim will be honored for parts used on machines which are being used for rental, commercial or professional use.

This warranty covers the cost of the part only. However, if the part was originally installed by an Authorized Murray Service Center, the cost of the part as well as labor will be covered.

This **Murray Limited Warranty** gives you specific legal rights, and you may also have other rights which vary from state to state. **This Limited Warranty is given in lieu of all other expressed and implied warranties including the implied warranty of merchantability and warranty of fitness for a particular purpose.**

To make a claim for a defective part, take the part with receipt to the closest Murray Authorized Service Center, call the Central Parts Distributor for your area. The telephone number for your Central Parts Distributor can be found on the back of your Owner's Manual. If you need additional information on this written warranty or assistance in obtaining service, write or call:

MURRAY, INC;
P.O. Box 268; Brentwood, Tennessee 37024-0268
ATTN: Customer Service Department
1-800-251-8007

PRODUCT WARRANTY INFORMATION

COMPONENT/ATTACHMENT WARRANTY INFORMATION

There are different warranties involved in servicing Murray lawnmowers.

1. The Murray Inc. warranty covers the mower excluding the engine and transaxle. Also excluded from the two year warranty are normal wear parts such as belts, blades, and blade adapters.
2. If an engine failure, file the warranty with the engine manufacturer.
3. If a transaxle failure, file warranty with the transaxle manufacturer.
4. If a transaxle failure and the transaxle is manufactured by Tuff Torq, file with Murray, Inc.
5. If a walker transmission failure, file warranty with Murray, Inc.
6. Attachment warranties are handled by:

Attachment	Model Number	Warranty Agent
Sweeper	24720	Lambert Corporation 519 Hunter Avenue Dayton, OH 45401 937-337-3641
Snow Thrower (* Note) Snowblade Tiller	24577, 24579 & 24582 24478 13460	Haban International Ltd. 2100 Northwestern Avenue Racine, WI 53404 414-637-8388
Sleeve Hitch Cultivator 10" Plow Disk Harrow	24801 24650 24620 24670	Brinly-Hardy Co. 3230 Industrial Pkwy. Jeffersonville, IN. 47130 1-800-626-5829

7. Grass Catcher warranties must be filed with Murray, Inc.

Murray Warranty Period For Grass Catcher

1990 thru 2000

2 years (METAL PARTS ONLY)

NOTE:

- * MODEL 24577 USED ON PAN FRAME MODELS
- * MODEL 24579 USED ON PRE-1999 GT's
- * MODEL 24582 USED ON RAIL FRAME LT's & GT's

MURRAY, INC WARRANTY CLAIM FORM

1. Correct dealer ID# is mandatory to process all claims. If you do not know your dealer ID#, contact your Murray Service Distributor or Murray Central.
2. Murray does not have a flat rate table. Labor in excess of two hours needs authorization of a Murray Service Distributor or a Murray Central.
3. The Murray service department will fill in the warranty credit allowance for labor.
4. Describe the malfunction.
5. It is very important to record the **Murray model number, date code** that is found on the product model plate, the **purchase date**, the **date of failure** and the **date of repair**, as well as **all part numbers**.
6. It is not required to include the list price except when instructed otherwise.
7. Use the illustrated warranty claim, on the following page, as a guide in preparing your warranty claims.
8. **Authorized Service Dealers have agreed to perform warranty repair.**
9. Do not file a warranty claim for belts. The exception being a component failure which damaged the belt.
10. Do not file a warranty claim for complete tire and wheel assemblies if the tire leaks. Use tire sealant and/or a tube and file a claim. Do not file a warranty claim for tires with loose cords. This is caused by using the tire with low air inflation or by running it in a flat condition.
11. Labor on customer assembly items that are missing from the carton or parts bag is not covered by Murray's warranty. We will pay for missing parts.
12. Murray will not accept any warranty claims for commercial/rental units.
13. Remember! Your service distributor or central parts distributor can authorize you to make policy adjustments.
14. We require each claim to be on a separate warranty claim form, unless pre-approved, or the preferred dealer nuisance claim form, because of coding requirements of computerizing warranty payments.
15. Murray will pay freight on all parts that are coded 4 and 5. The freight must be entered on the warranty claim form to be reimbursed.

Don't Forget the Date Code found on the model plate. This number is separate from the serial number.



PRODUCT WARRANTY INFORMATION

F-2190
REV. 7-97

MANUFACTURER'S COPY
MURRAY, INC.
P.O. Box 268 Brentwood, Tennessee 37024

803102

LAWN & GARDEN WARRANTY CLAIM

DATE 8-1-98

Customer's Name MARTHA TODD	Model # 42590A	Date Failed <u>7-29-98</u>
Street Address 16 ELM STREET	Date Code 98023	Date of Repair <u>8-1-98</u>
City State LINCOLN, NE Zip 37002	Type <input type="checkbox"/> Walker <input type="checkbox"/> Tiller <input checked="" type="checkbox"/> Rider <input type="checkbox"/> Chipper/Shred <input type="checkbox"/> Snow	Date Purchased 12-1-97
Phone Number (000) 111-0000	Customer Signature Martha Todd	
Type of Use Residential <input checked="" type="checkbox"/> Commercial <input type="checkbox"/> List Other _____		

DESCRIPTION OF DEFECTIVE WORKMANSHIP AND/OR MATERIAL

DEFECTIVE SOLENOID

WORK PERFORMED	DO NOT USE THIS SPACE
REMOVED AND REPLACED SOLENOID	Warranty Credit Allowance
	LABOR
	LIST PRICE LESS 25%
	TOTAL CREDIT

PARTS REPLACED - CHARGE & NO CHARGE

Part No.	Failure Code	Work Performed Code	HRS.	MIN.	Description	Qty.	List Price
94613							

(CHECK CLASSIFICATION)

- AUTHORIZED SERVICE DEALER
 AUTHORIZED SERVICE DISTRIBUTOR
 AUTHORIZED CENTRAL PARTS DISTRIBUTOR

- WHITE COPY OF WARRANTY CLAIM FORMS MUST BE RECEIVED BY MURRAY, INC. WITHIN 60 DAYS AFTER REPAIR WORK IS PERFORMED. (120 days will be allowed for units serviced outside the continental United States).
- All parts of this application must be completed in order to expedite handling and to ensure payment including ID and Federal Tax or Social Security number.
- Murray, Inc. reserves the right to request additional documentation on any warranty claim work performed and submitted for payment.
- Retain parts until disposition is advised or credit is received.
- You will be notified if any part of your claim is changed or rejected.

FEDERAL TAX # OR SOCIAL SECURITY # **410-00-0000**

WARRANTY PERFORMED BY

COMPANY NAME **GEORGE WASHINGTON L & G**
 STREET ADDRESS **222 JEFFERSON BLVD.**
 CITY STATE **LINCOLN, NE** ZIP **37001**
 SIGNED **John Doe**

Check Box if Address Above Has Changed Since Last Warranty Claim

IMPORTANT (MUST FILL IN I.D.# TO BE PROCESSED)
 DEALER I.D.# **111111**

ISSUES NOT COVERED UNDER MURRAY'S WARRANTY

1. Trash or water in gas
2. Improper set-up of mower
3. Customer abuse or neglect
4. Pick-up and/or delivery
5. Normal maintenance (tune-ups, carburetor adjustments, oil change, air filters, etc.)
6. Broken or bent crankshafts
7. Units ran low or without oil
8. **Warranty has expired**
9. Mower is used for commercial, rental and /or professional (non-homeowner use) purposes

*Maintenance of the
Unit is the Responsibility
of the Customer.*

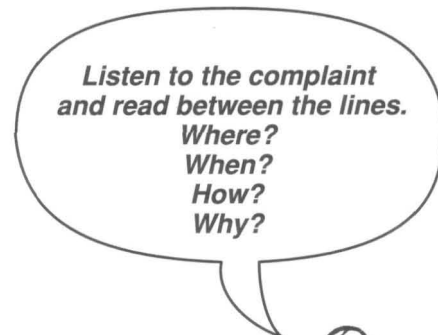


PRODUCT WARRANTY INFORMATION

DIAGNOSING PROBLEMS

The following steps may help in determining the customers problem.

1. Identify the problem.
2. Classify the cause.
3. Do the easy things first.
4. Do not assume anything.
5. When did the problem occur, consider the time factor.
6. Let paint be your guide. An unpainted surface may indicate a part is missing.
7. Experience, has this happened before?
8. Use all available repair manuals.
9. What is the extent of the failure?
10. Do not panic!
11. Call your service distributor or central for technical assistance.



IMPORTANT: The information from the BLUE HEADER CARDS (listed below from your Original Murray Microfiche Deck) is now included in the GREEN HEADER CARDS 209 thru 293. The information in the BLUE HEADER CARDS is still good, but if you wish to replace them with the GREEN HEADER CARDS, then order Part Number S-3011.

BLUE HEADER CARDS	
Header Cards	Number of cards
M1A thru M1S	19
M2A thru M2K	11
M3A thru M3Z	26
M2AA thru M3AS	19
M4A thru M4H	8
M5A thru M5B	2
	TOTAL 85

Refer to the microfiche order form on the following page. This order form has been in effect since January 1, 1997.

The current part numbers are listed on the order form with the description of the set.

When you order microfiche, you will automatically receive the quarterly updates at no charge. Important! Make sure your business name and address are correct. An incorrect name or address can prevent or delay shipment of your quarterly updates. **Servicing Dealers, it is mandatory that you order all microfiche from your Murray Service Distributor or Murray Central.**

Below are the cards included in the Murray, Inc. North American Lawn & Garden Set 1990 thru current (S-3002):

GREEN CARDS	DATE	GREEN CARDS	DATE	GREEN CARDS	DATE
80 thru 89	4-90	224 thru 225	6-95	276 thru 283	3-96
90 thru 92	6-90	226 thru 227	3-96	284	12-90
93 thru 114	4-91	228 thru 229	6-90	285	3-92
115 thru 119	6-91	230	12-90	286	5-93
120 thru 140	4-92	231	7-91	287 thru 288	5-94
141 thru 148	6-92	232 thru 224	3-92	289	3-95
149 thru 164	3-93	235	5-93	290 thru 291	3-96
165 thru 178	4-94	236	5-94	292	5-94
179 thru 193	4-95	237	3-95	293 thru 297	2-97
194 thru 201	3-96	238	3-96	300 thru 308	5-97
202 thru 208	11-96	239 thru 241	6-90	309 thru 312	10-97
209	6-90	242 thru 244	12-90	313 thru 317	12-97
210	12-90	245 thru 246	7-91	318 thru 328	3-98
211	7-91	247 thru 251	3-92	329 thru 330	5-98
212 thru 213	3-92	252 thru 257	5-93	331 thru 334	9-98
214 thru 215	5-93	258 thru 265	5-94	335 thru 338	12-98
216 thru 217	5-94	266 thru 274	3-95	339 thru 348	3-99
218 thru 223	3-95	275	6-95		

MICROFICHE

MICROFICHE ORDER FORM

PART NO.	DESCRIPTION	US PRICE
<input type="checkbox"/> P/N S-3000	1968 - 1989 Lawrenceburg Lawn and Garden Microfiche Set (History Deck - Old Murray)	\$17.00
<input type="checkbox"/> P/N S-3001	UP thru 1989 Jackson Lawn and Garden Microfiche Set (History Deck - Old Noma)	\$17.00
<input type="checkbox"/> P/N S-3002	Murray Inc. North American Lawn and Garden Microfiche Set 1990 thru Current	\$35.00
<input type="checkbox"/> P/N S-3003	UP thru 1996 Brampton Canada Microfiche Set (History Deck - Canada)	\$17.00
<input type="checkbox"/> P/N S-3004	Murray Inc. North American Snow Microfiche Set	\$12.00
<input type="checkbox"/> P/N S-3005	Current Year Update for North American Lawn and Garden	\$5.00
<input type="checkbox"/> P/N S-3006	Current Year Update for North American Snow	\$5.00
<input type="checkbox"/> P/N S-3007	Murray Inc. Export Lawn and Garden Microfiche Set 1990 thru Current	\$15.00
<input type="checkbox"/> P/N S-3008	Current Year Update for Export Lawn and Garden	\$5.00
<input type="checkbox"/> P/N S-3011	CARDS 209 thru 293. replacing MURRAY BLUE HEADER CARDS (SEE PREVIOUS PAGE)	\$10.00

Individual Card Orders: Please specify Category, Card Number(s), Color, and Quantity.

SHIP TO: Company Name: _____

Address: _____

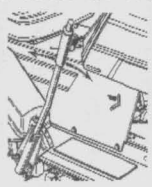

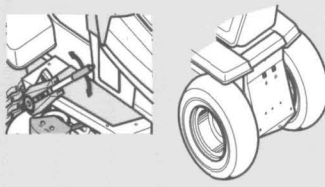
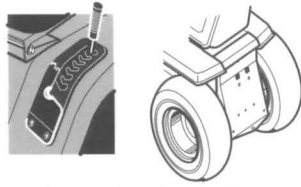
City: _____ State / Prov.: _____

Zip / Postal Code: _____

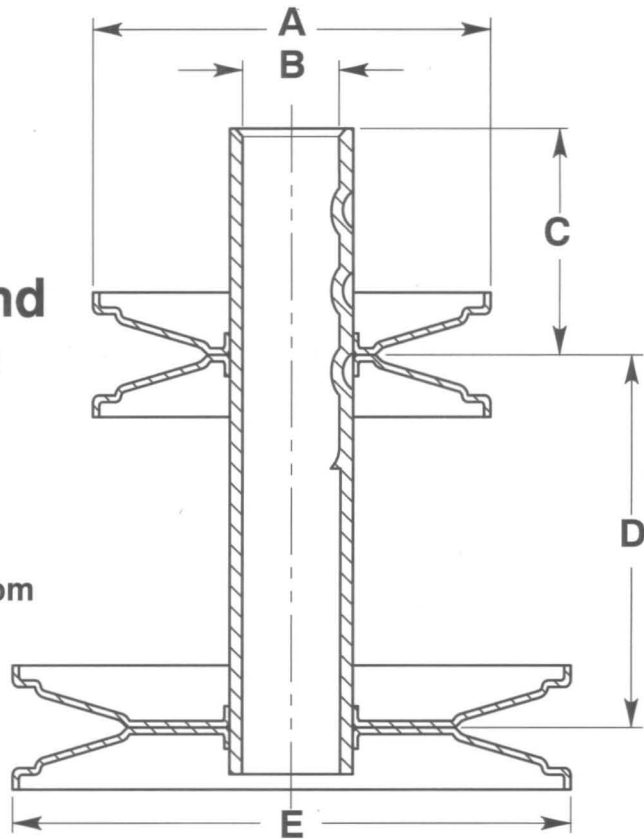
Mail or Fax to: YOUR SERVICE OR CENTRAL PARTS DISTRIBUTOR

BrentChalmers.com

LAWN & GARDEN PRODUCT ACCESSORIES

2000 RIDING MOWER PRODUCT ACCESSORIES					
MODEL & FRAME STYLE		SIZE OF MOWER DECK	CATCHERS	MULCHERS	SWEEPERS
Rear Engine Rider		30-inch	24050	24666	24720
Lawn Tractor		30-inch	24730x20	24666	24720
Mower Lift Lever on Right Side of Tractor 	Pan Frame Style	38-inch	24740	24750	24720
		40-inch	24740	24755	24720
		42-inch	24740 (7 BU) or 24760 (9 BU)	24758	24720
		46-inch	24760	24759	24720
Mower Lift Lever on Left Side of Tractor 	Rail Frame Style	38-inch	24744	24750	24720
		40-inch	24744	24755	24720
		42-inch	24744 (7 BU) or 24767 (9 BU)	24758	24720
		46-inch	24767	24759	24720
		48-inch	N/A	24763	24720
50-inch	24764	24763	24720		
Garden Tractor (1991 – 1998)		42-inch	24760	24758	24720
Mower Lift Lever on Right Side of Tractor w/Rear Hitch Plate 	Bolt on Running Boards and Fenders	46-inch	24760	24759	24720
		52-inch (1998 ONLY)	24768	24766	24720
Garden Tractor (1999 – 2000)		46-inch	24767	24759	24720
Mower Lift Lever on Left Side of Tractor 	Rail Frame Style	52-inch	24769	24766	24720

**STACK PULLEYS
for
1" & .875" DIA.
CRANKSHAFTS
(Includes: MURRAY and
former NOMA Units)**



**Note:
Always Measure Dimension "B" From
Top or Driven Side of Stack Pulley**

PART NO	A	B	C	D	E
20626 Z	2.68	.875	.43	2.50	4.50
21014 Z	2.68	.875	.43	3.56	4.50
21415	4.50	.875	.43	4.25	4.50
23505	2.68	.875	.44	3.03	4.50
23506 Z	4.50	.875	.44	3.03	5.80
23725	5.80	.875	.44	4.25	5.80
24124 SE	4.50	.875	.93	4.25	4.50
24588	2.68	.875	.94	3.03	5.80
55112	2.69	.875	.81	3.78	4.50
55303 Z	4.50	.875	1.53	2.28	5.80
90329 Z	4.12	.875	.43	4.25	5.80
92245 SE	2.78	1.00	1.41	2.87	4.50
92246 SE	4.12	1.00	2.28	4.25	5.80
92247 SE	2.78	1.00	1.41	3.17	5.57
92248 SE	4.12	1.00	2.28	4.25	6.75
92249 SE	4.12	1.00	2.28	4.78	6.75
92250 SE	4.50	1.00	1.97	2.28	5.80
92251 SE	2.69	1.00	1.50	2.75	5.80
92252 SE	4.50	1.00	2.28	4.25	5.80
92253 SE	2.69	1.00	1.50	3.08	5.80
92254 SE	4.50	1.00	1.97	2.61	5.80
92255 SE	4.50	1.00	2.28	4.25	4.50
92318	4.12	1.00	2.28	4.25	5.80
92504 Z	2.78	1.00	1.41	3.17	5.58
92505 Z	4.12	1.00	2.28	4.25	6.75
92506 Z	4.12	1.00	2.28	4.78	6.75

QUICK REFERENCE PARTS

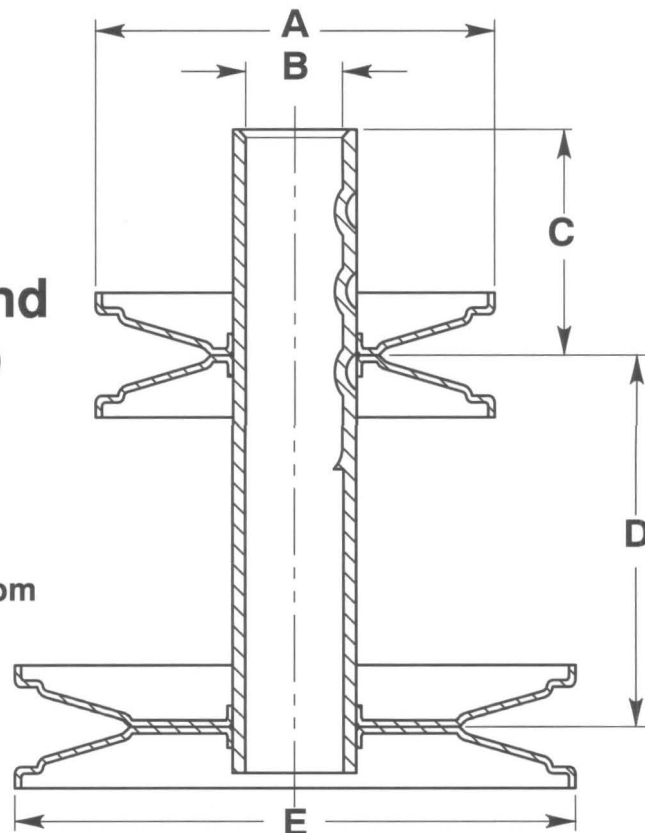
PART NO	A	B	C	D	E
93244 Z	4.89	1.00	2.00	4.53	5.80
93245	4.89	1.00	2.00	4.53	6.75
93246 Z	4.89	1.00	2.08	4.78	6.75
93286	4.12	1.00	2.28	4.44	6.75
93287 Z	4.89	1.00	2.28	4.44	6.75
94139 Z	4.12	1.00	.82	5.40	5.80
94407	4.89	1.00	.82	5.40	5.80
94593 Z	4.89	1.00	.82	5.06	6.75
94812	3.00	1.00	.80	2.94	5.50
94922					* EL/CL
95257	4.12	1.00	.82	5.40	5.80
95259	4.82	1.00	.82	5.40	5.86
95266	4.89	1.00	.82	5.06	6.75
300577	3.00	1.00	2.90	2.94	5.50
301786	3.00	1.00	1.88	4.75	6.00
303077	3.00	1.00	1.88	4.00	6.00
306590	3.00	1.00	1.88	4.75	5.00
309388	3.00	1.00	1.09	2.04	* EL/CL
309389	3.00	1.00	1.64	2.59	* EL/CL
310250	3.00	1.00	1.88	4.00	5.50
315317	3.00	1.00	2.59	4.00	5.00
316802	3.00	1.00	1.88	4.40	5.00
320521	3.00	1.00	1.55	4.40	6.00
320600	3.00	1.00	2.90	3.32	5.50
324295	3.00	1.00	1.00	1.95	* EL/CL
325912	3.00	1.00	1.64	2.59	* EL/CL
326565	4.00	1.00	1.74	4.40	5.00
326567	4.00	1.00	1.69	4.00	5.00
326818	4.00	1.00	1.69	4.00	5.50
328027	3.00	1.00	1.69	4.75	5.50
326562	4.00	1.00	.80	4.40	6.00
326563	4.00	1.00	.80	4.75	5.50
326564	4.00	1.00	.80	4.75	6.00
326565	4.00	1.00	.80	4.40	5.00
326567	4.00	1.00	.80	4.00	5.00
326812	4.00	1.00	.80	5.50	6.00
326813	4.00	1.00	.80	2.94	5.50
326814	4.00	1.00	.80	4.00	6.00
326815	4.00	1.00	.80	4.00	4.63
326816	4.00	1.00	.80	4.75	5.50
326817	4.00	1.00	.80	5.50	5.50
326818	4.00	1.00	.80	4.00	5.50
328026	3.00	1.00	.80	4.75	5.00
328027	3.00	1.00	.80	4.75	5.50
328028	3.00	1.00	.80	4.00	5.00
328029	3.00	1.00	.80	4.40	5.00
328030	3.00	1.00	.80	4.40	6.00
328031	3.00	1.00	.80	4.75	6.00
328032	3.00	1.00	.80	5.50	6.00
328033	3.00	1.00	.80	5.50	5.50

QUICK REFERENCE PARTS

PART NO	A	B	C	D	E
328034	3.00	1.00	.80	4.00	5.50
328035	3.00	1.00	.80	2.94	5.50
328036	3.00	1.00	.80	4.00	6.00
328040	3.00	1.00	.80	3.32	5.50
335089	4.63	1.00	.80	4.00	5.50
335090	4.63	1.00	.80	4.40	6.00
335091	4.63	1.00	.80	4.75	5.50
335092	4.63	1.00	.80	4.40	5.00
335093	4.63	1.00	.80	4.00	5.00
337851	3.00	1.00	.80	4.40	5.50
690225	4.12	1.00	1.04	6.24	6.75
690372	4.89	1.00	.56	6.42	6.75
690439	4.12	1.00	.82	5.40	5.80
690440	4.82	1.00	.82	5.40	5.86
690441	4.89	1.00	.82	5.06	6.75
690442	4.11	1.00	2.28	4.25	5.86
690448	4.12	1.00	.82	5.40	5.80
690449	4.89	1.00	.82	5.06	6.75
690450	4.82	1.00	.82	5.40	5.86
690455					* EL/CL
690507	4.12	1.00	.82	5.06	6.75

STACK PULLEYS for 1" & .875" DIA. CRANKSHAFTS (Includes: MURRAY and former NOMA Units)

Note:
Always Measure Dimension "B" From
Top or Driven Side of Stack Pulley



NEW SPLIT-STEEL STACK PULLEYS

PART NUMBER COMPARISON

WHERE USED	BRAZED		SPLIT-STEEL	
	SILVER FINISH PRODUCTION OLD P/N	YELLOW FINISH PRODUCTION OLD P/N	SILVER FINISH PRODUCTION NEW P/N	YELLOW FINISH PRODUCTION NEW P/N
38"– 40" Pan Frame Tractors	92318	N/A	690442 Z	N/A
38"– 42" LT Rail Frame Gear Drive	94139	95257	690439 Z	690448
38"– 42" LT Rail Frame Hydro Drive	94407	95259	690440 Z	690450
46"– 52" LT Rail Frame Hydro Drive	94593	95266	690441 Z	690449
46"– 52" GT Rail Frame Gear Drive	N/A	N/A	690225 Z	N/A
46"– 52" GT Rail Frame Hydro Drive	N/A	N/A	690372 Z	N/A
46"– 52" LT Electric Clutch Units	N/A	94922	N/A	690455
46" LT Rail Frame Gear Drive	N/A	N/A	690507	N/A

IMPROVEMENTS:

- The **Split-Steel Process** produces a one piece sheave which results in better strength and improves sheave runout both axially and radially.
- The **Lances** have been changed to improve their strength and durability.
- A **Fourth Key** has been added. Also, the keys are formed deeper.
- The sheaves are fully **Welded** to the tube instead of **Brazed**.
- The **Tube I.D. Tolerance** has been tightened to insure a better fit onto the crankshaft.

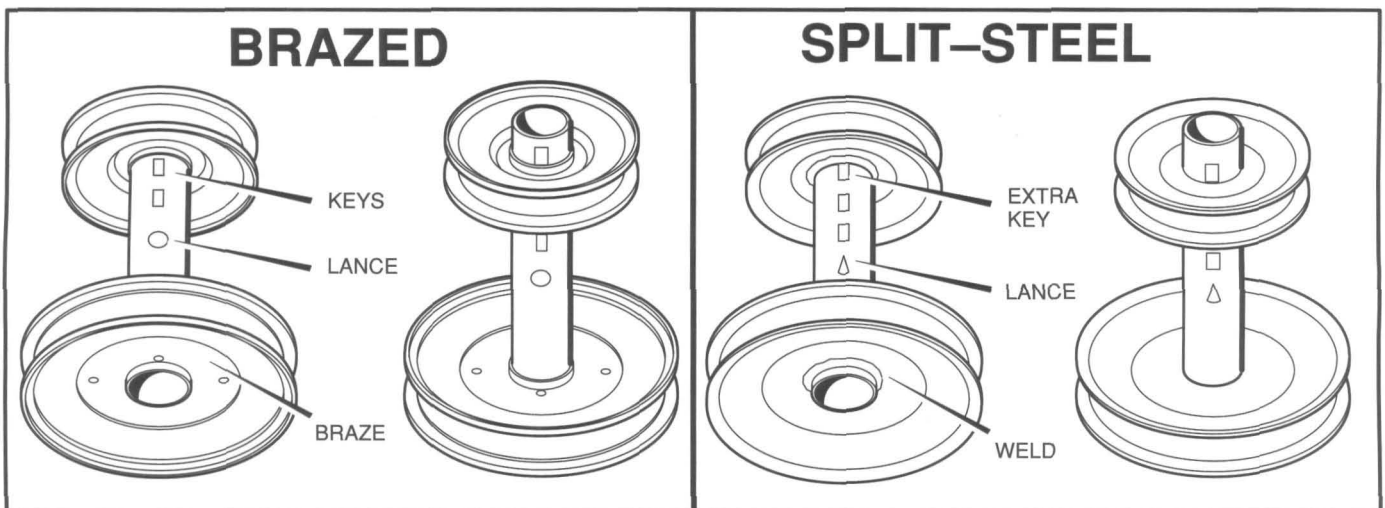
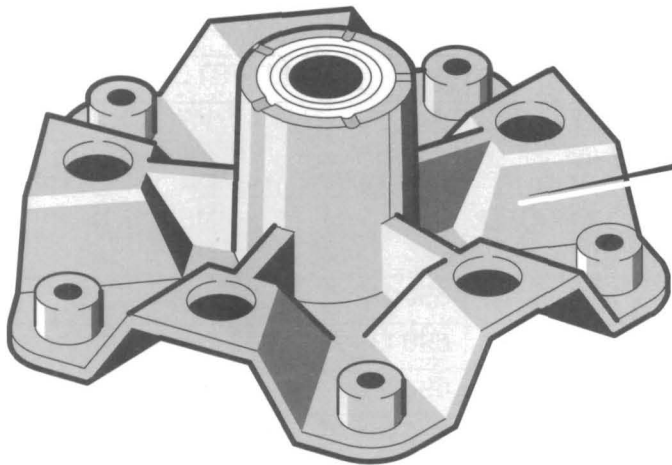


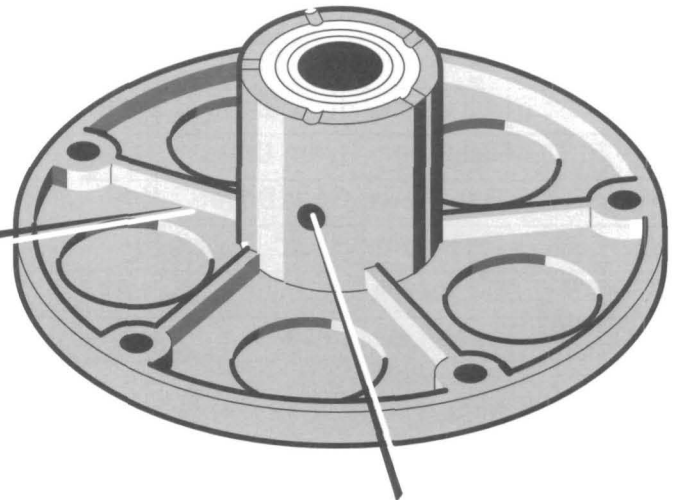
FIGURE 1: BRAZED AND NEW SPLIT-STEEL STACK PULLEY COMPARISON

MANDREL (JACKSHAFT) HOUSINGS



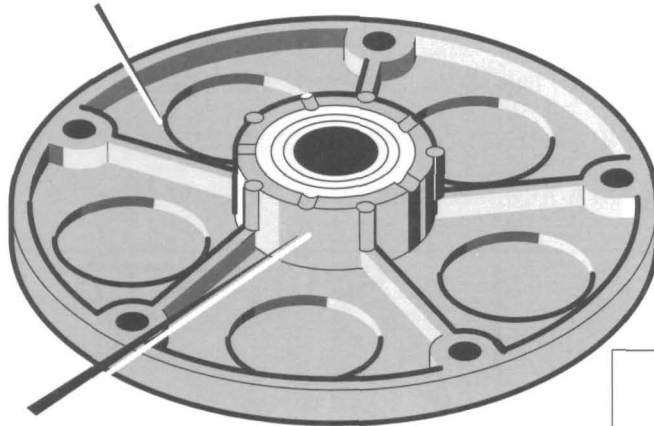
55962
(Rear Engine Rider Application only)

94752 subs to 690488
(Both Without Grease Fitting)

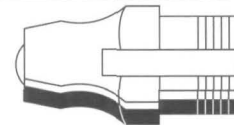


Hole for Grease Fitting

690222 & 90905
(SUBS TO 92574)



92574 (includes Grease Fitting)

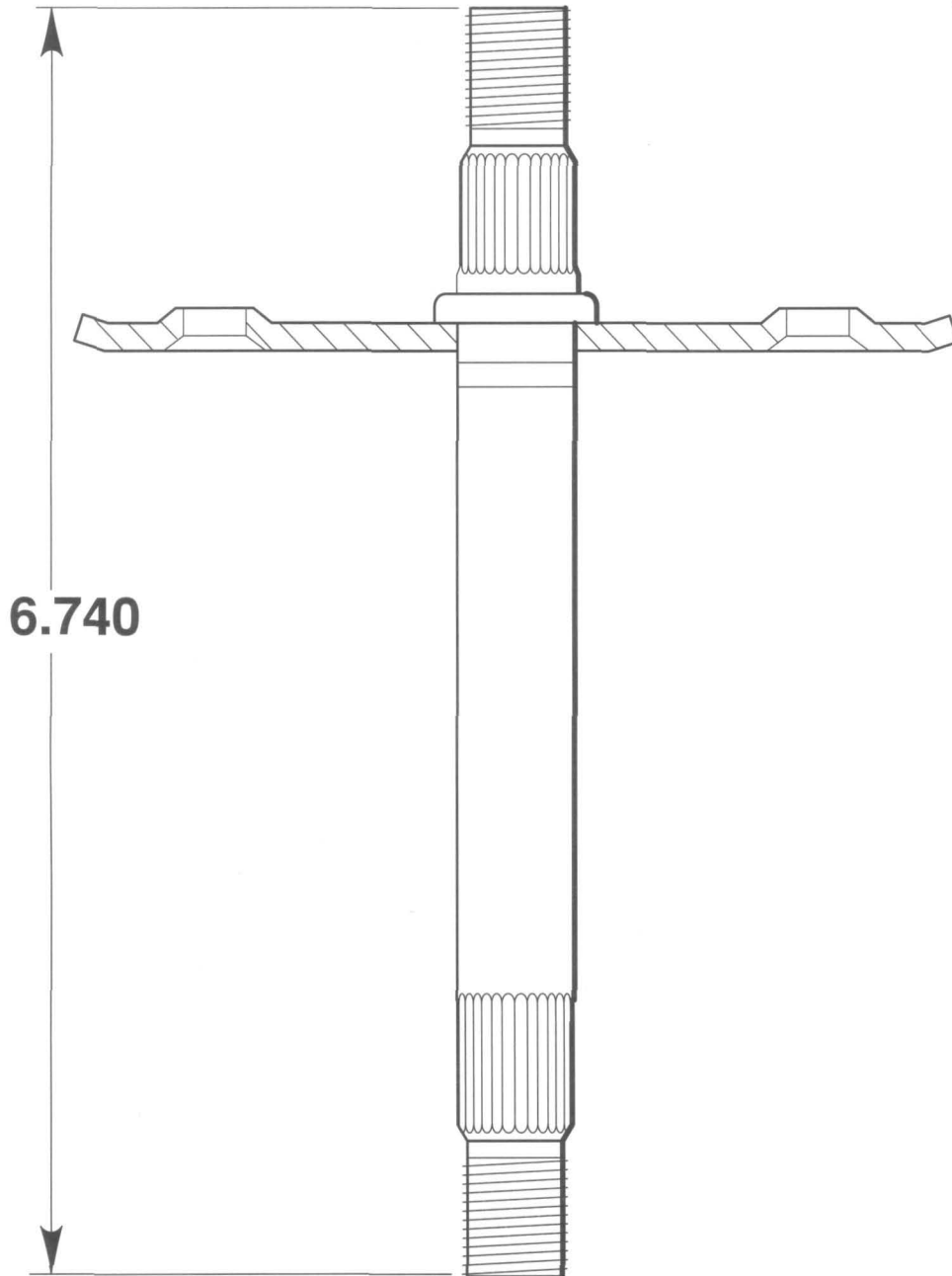
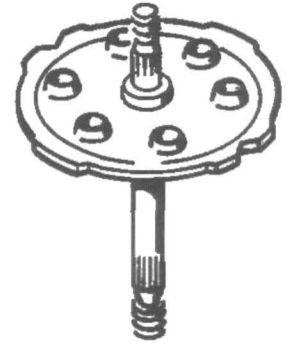


690501 Zerk Grease Fitting replaces PN's 706 and 92530

PART NUMBER	PART SUBS TO PART NUMBER	GREASE FITTING (?)
55962		NO
690222	92574	YES
92574	92574	YES
94752	690488	NO (Separate Part)
690488	690488	NO (Separate Part)
90905	92574	YES

MANDRELS (JACKSHAFTS)

**APPLICATION: 40-INCH REAR DISCHARGE
1985 - 1987**

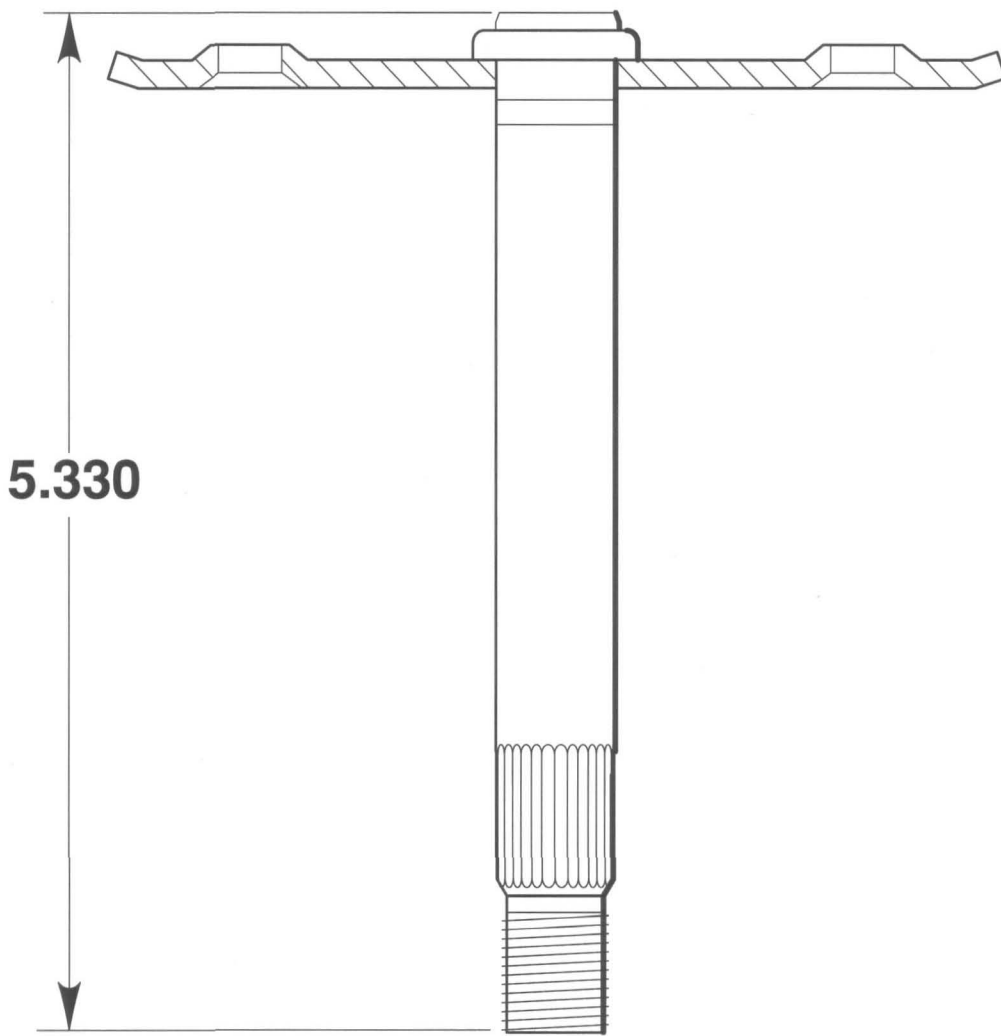
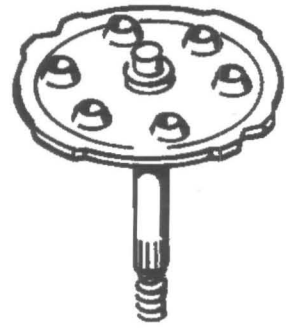


90882

QUICK REFERENCE PARTS

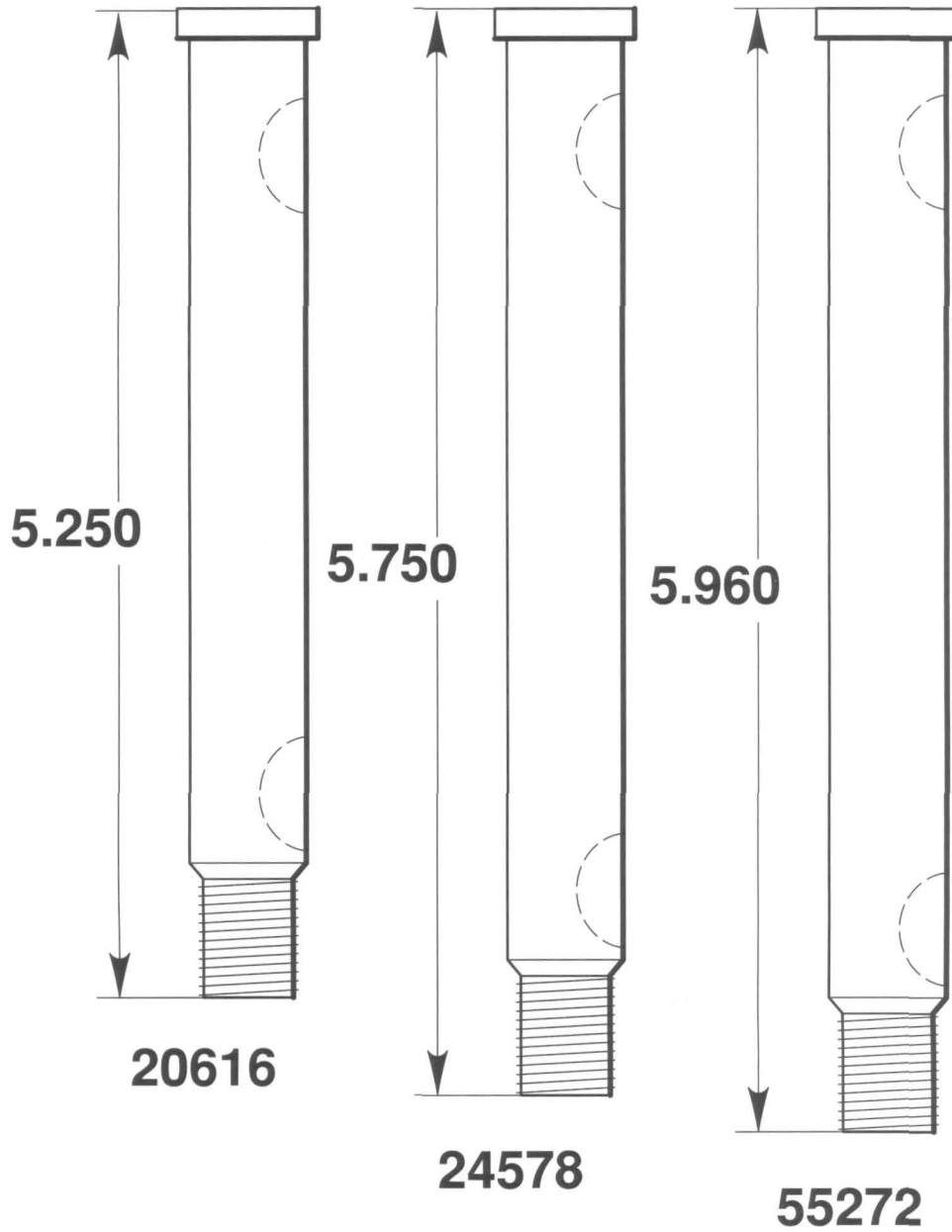
MANDRELS (JACKSHAFTS)

**APPLICATION: 40-INCH REAR DISCHARGE
1985 - 1987**



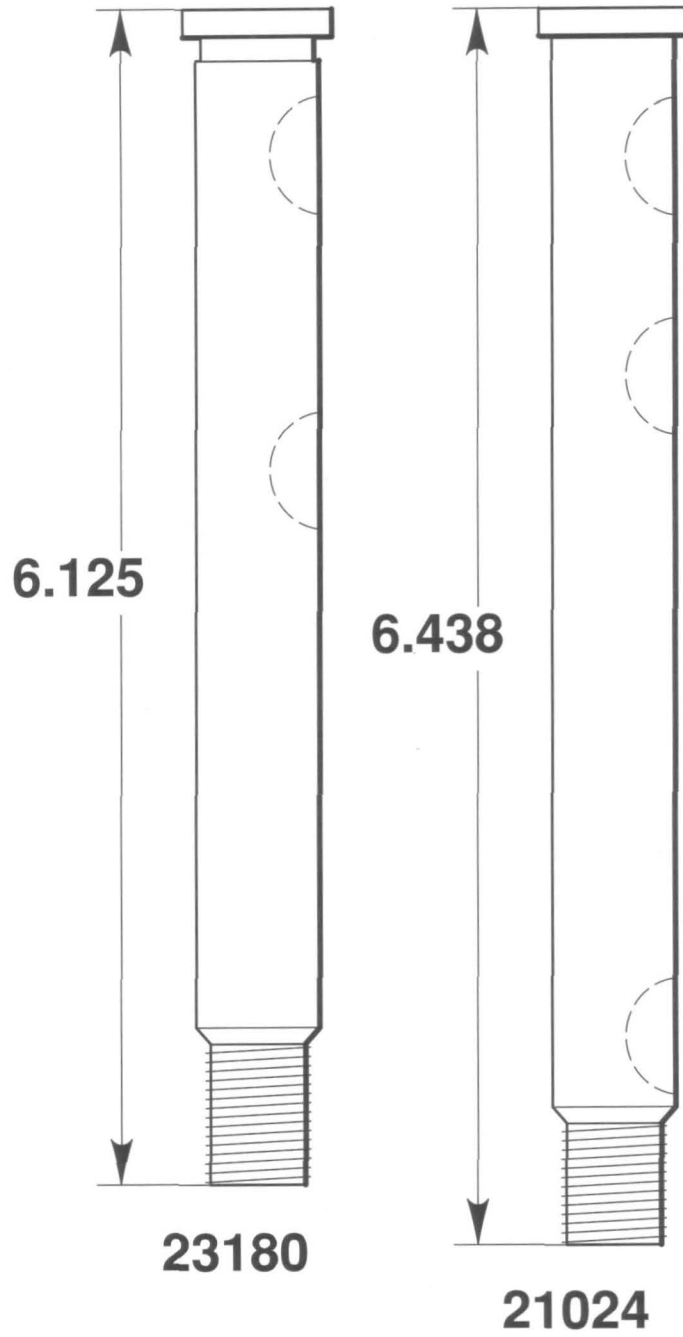
90883

MANDRELS (JACKSHAFTS)

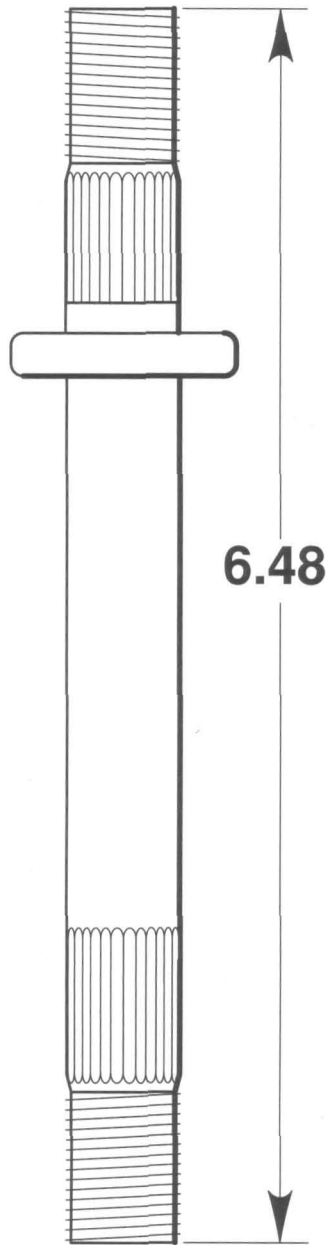


QUICK REFERENCE PARTS

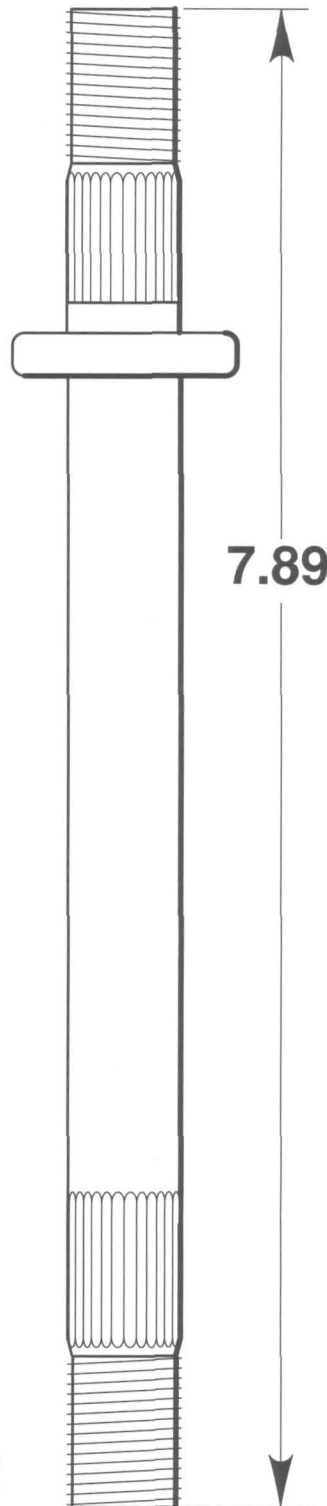
MANDRELS (JACKSHAFTS)



MANDRELS (JACKSHAFTS)

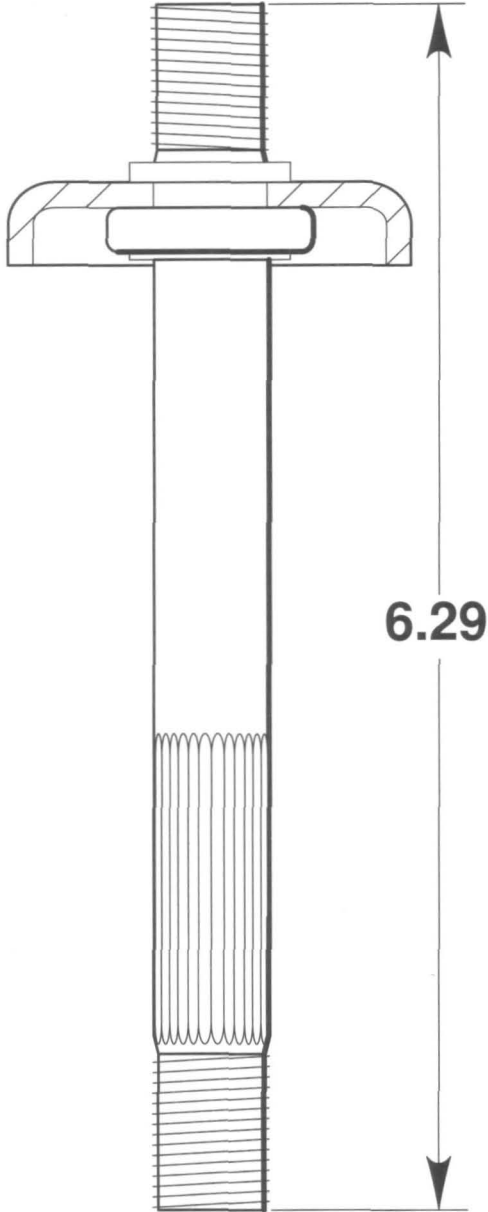


91921

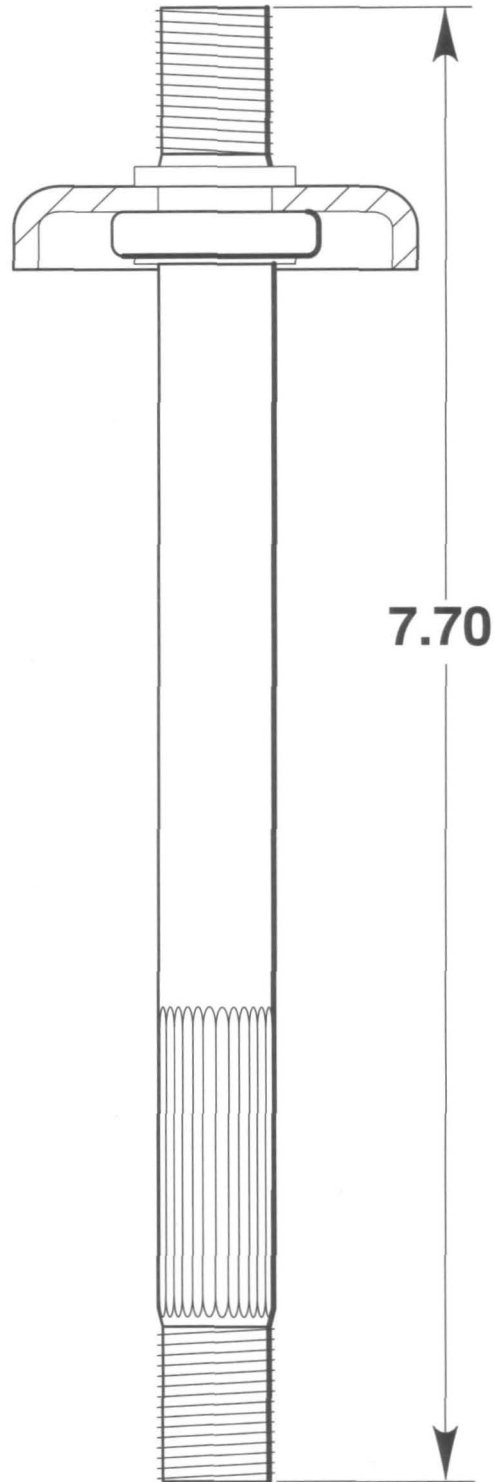


91922

MANDRELS (JACKSHAFTS)

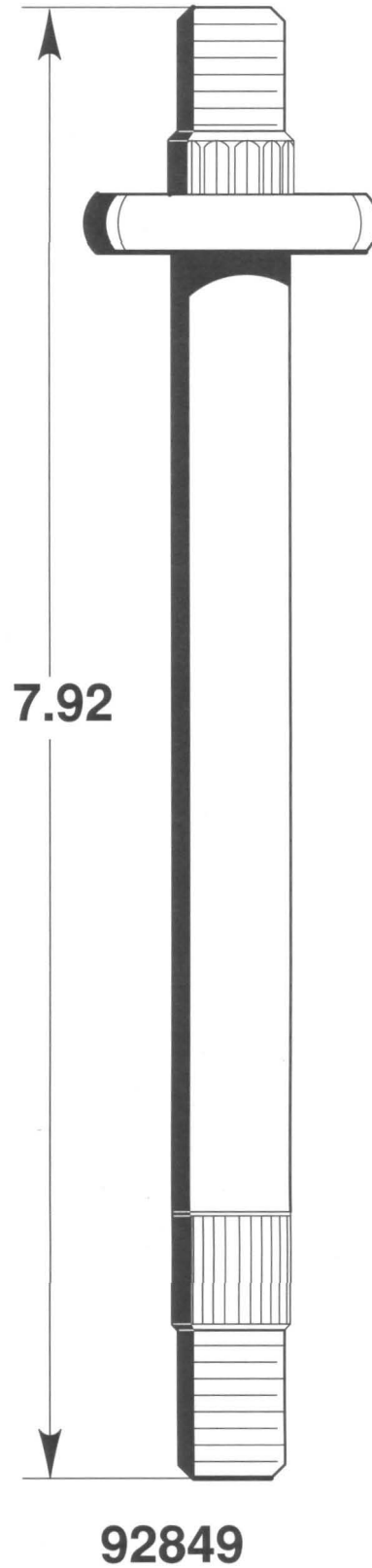
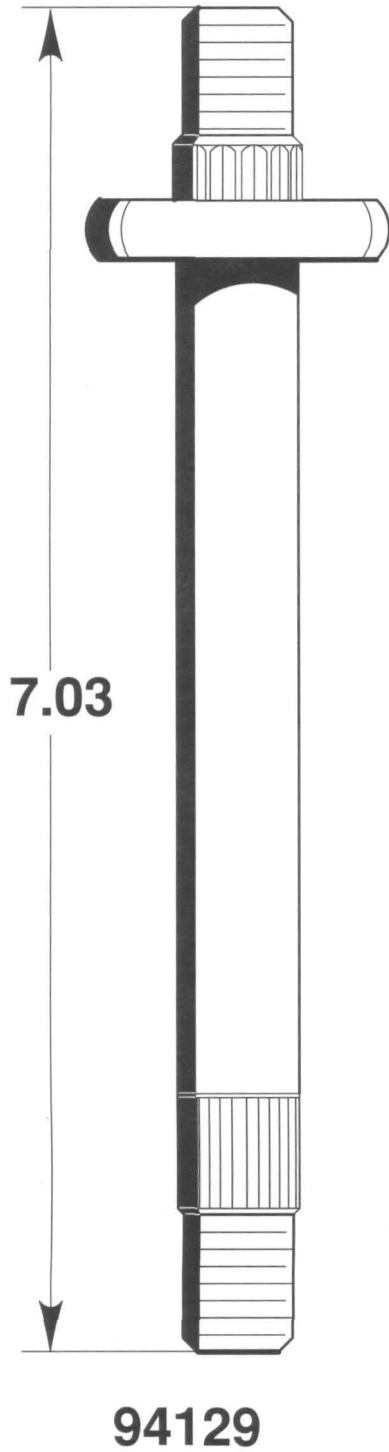


55445
NO LONGER AVAILABLE –
SUBS TO 55445SE

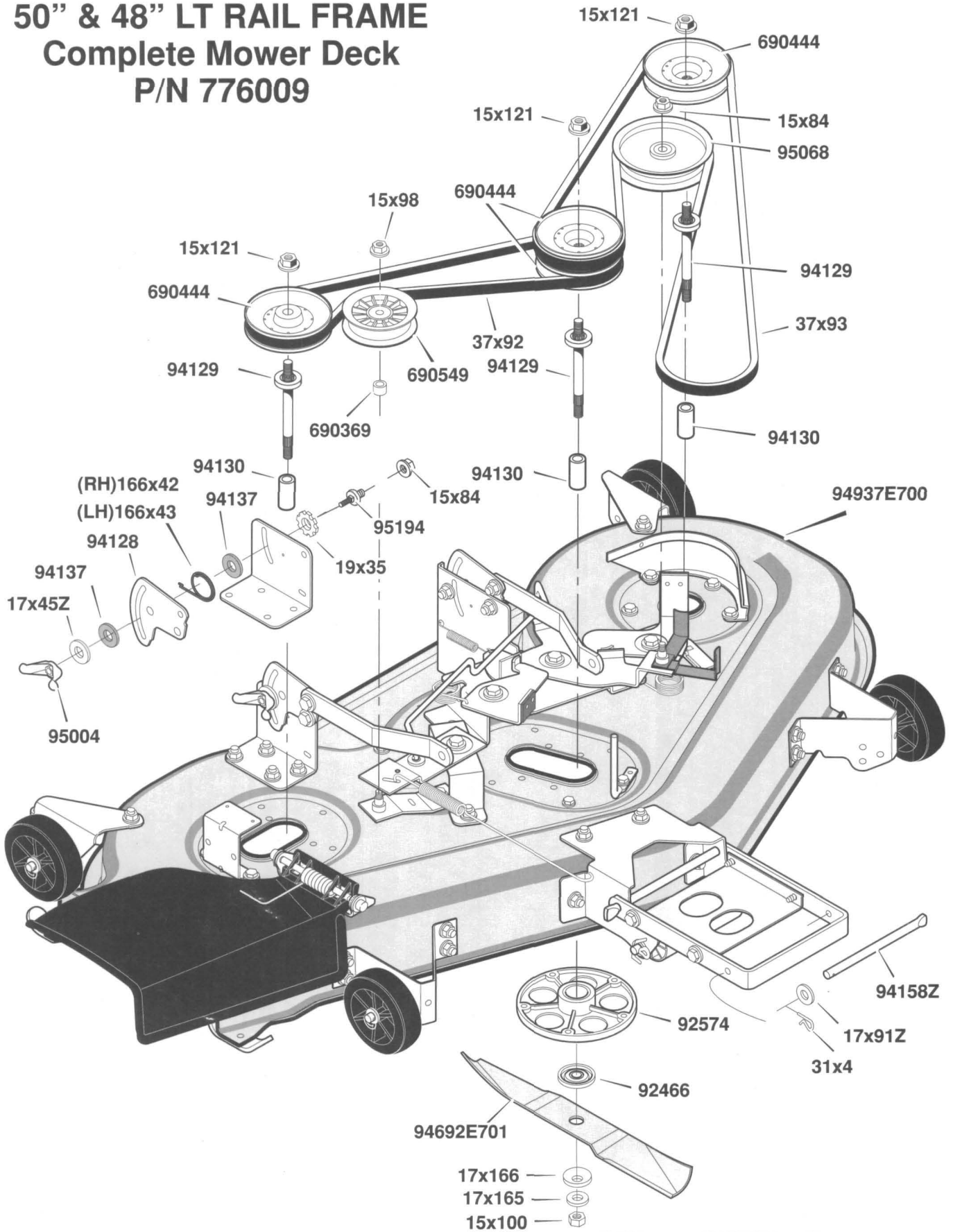


91766
NO LONGER AVAILABLE –
SUBS TO 91766SE

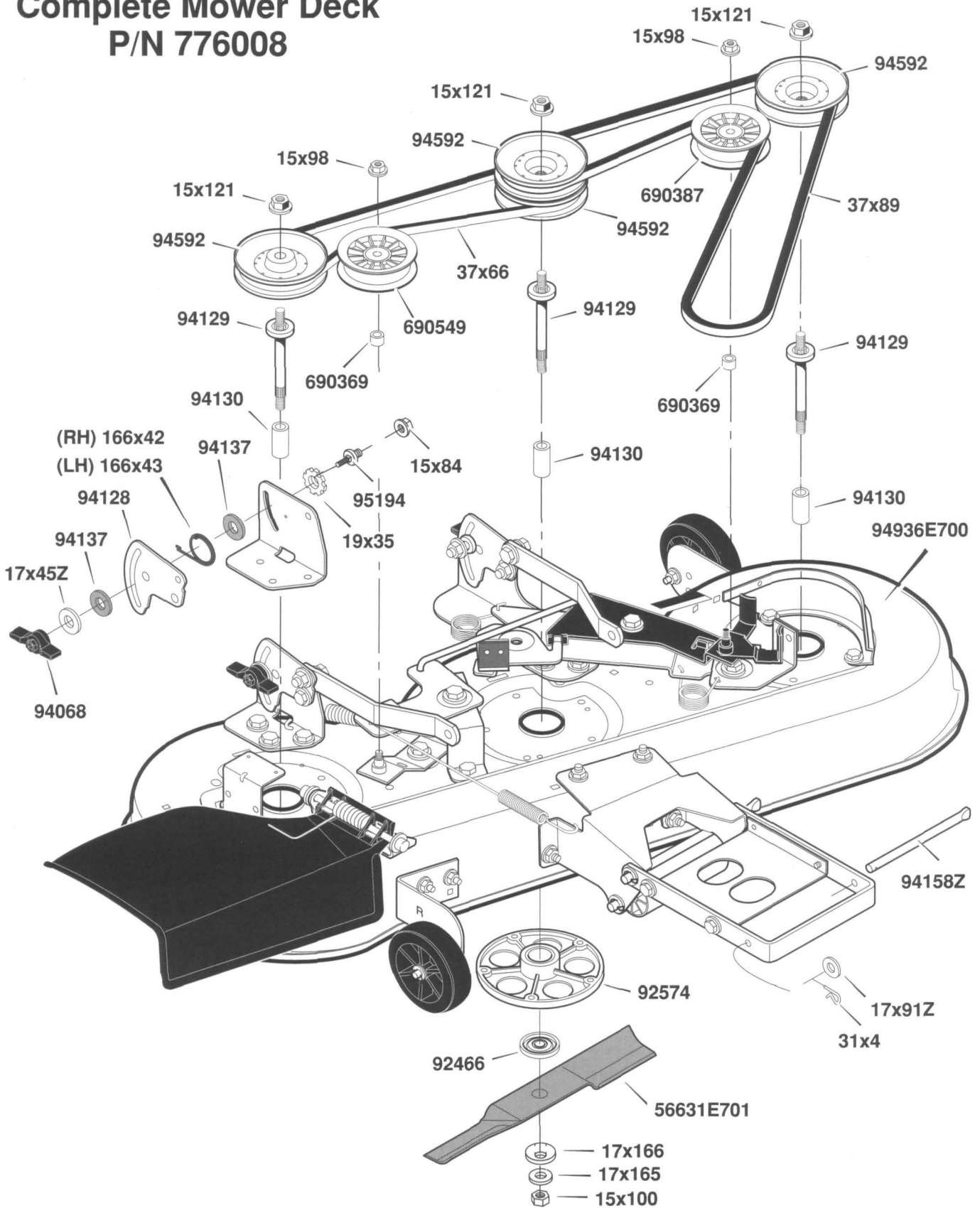
MANDRELS (JACKSHAFTS)



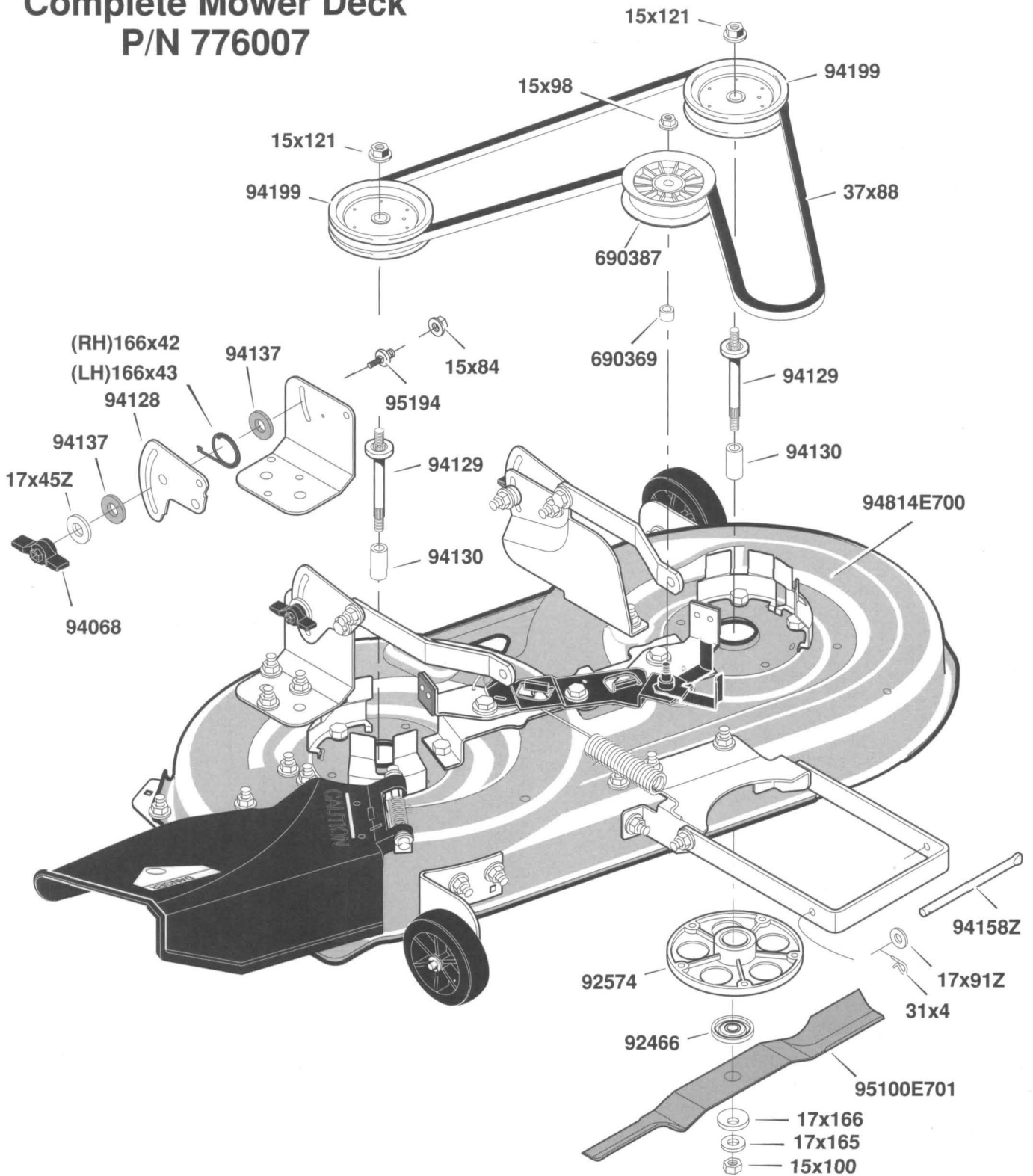
**50" & 48" LT RAIL FRAME
Complete Mower Deck
P/N 776009**



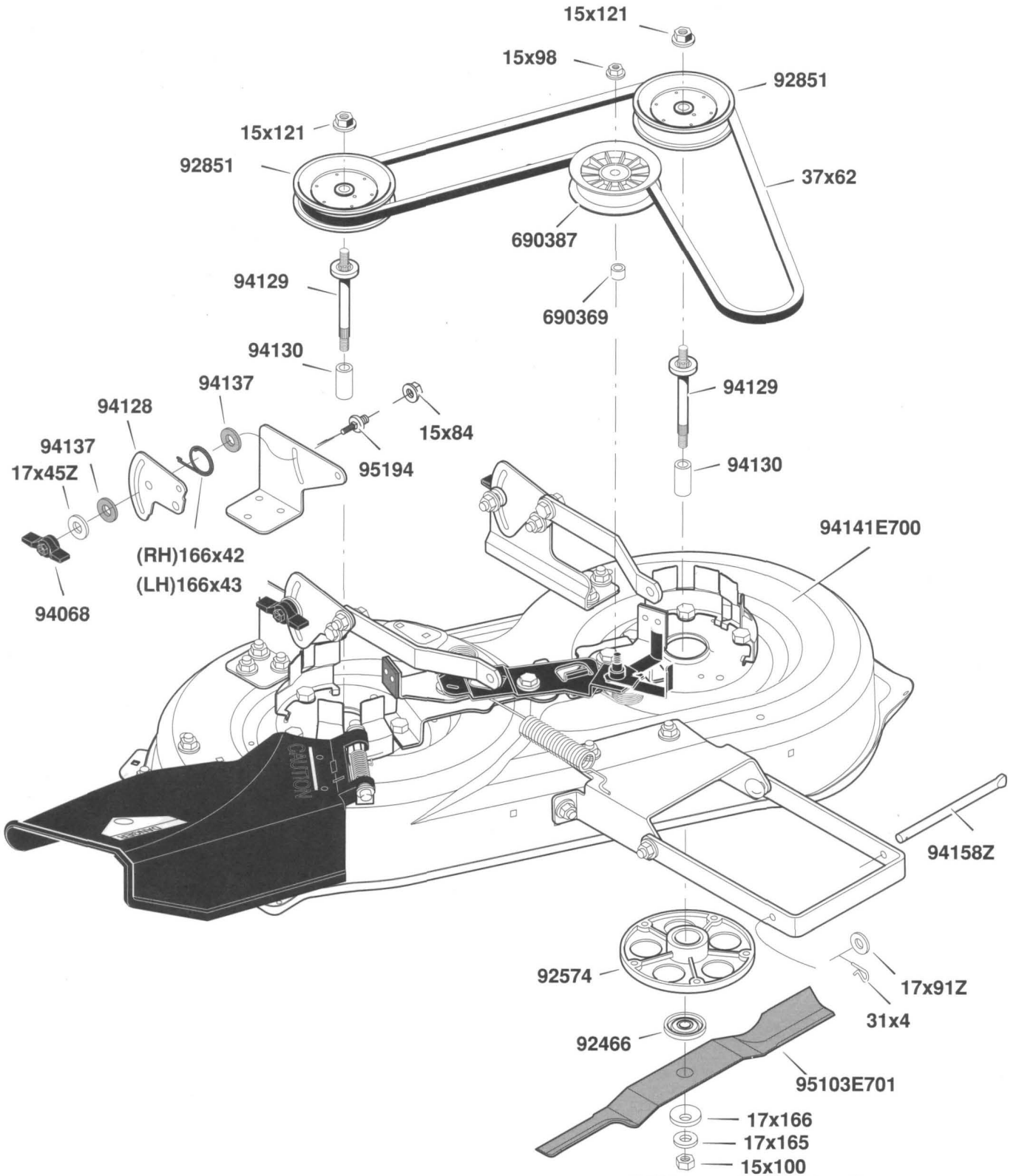
46" LT RAIL FRAME Complete Mower Deck P/N 776008



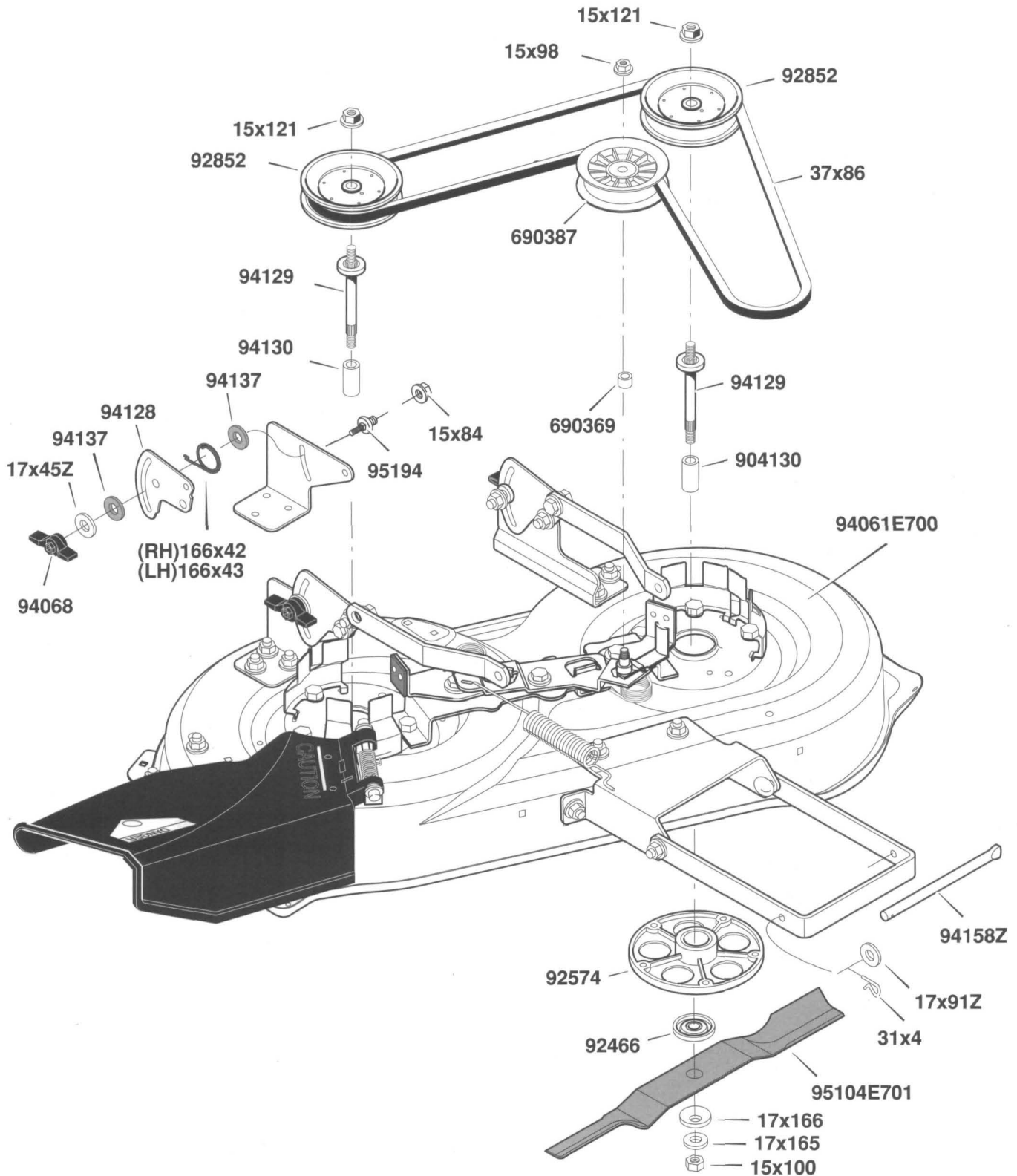
**42" LT RAIL FRAME
Complete Mower Deck
P/N 776007**



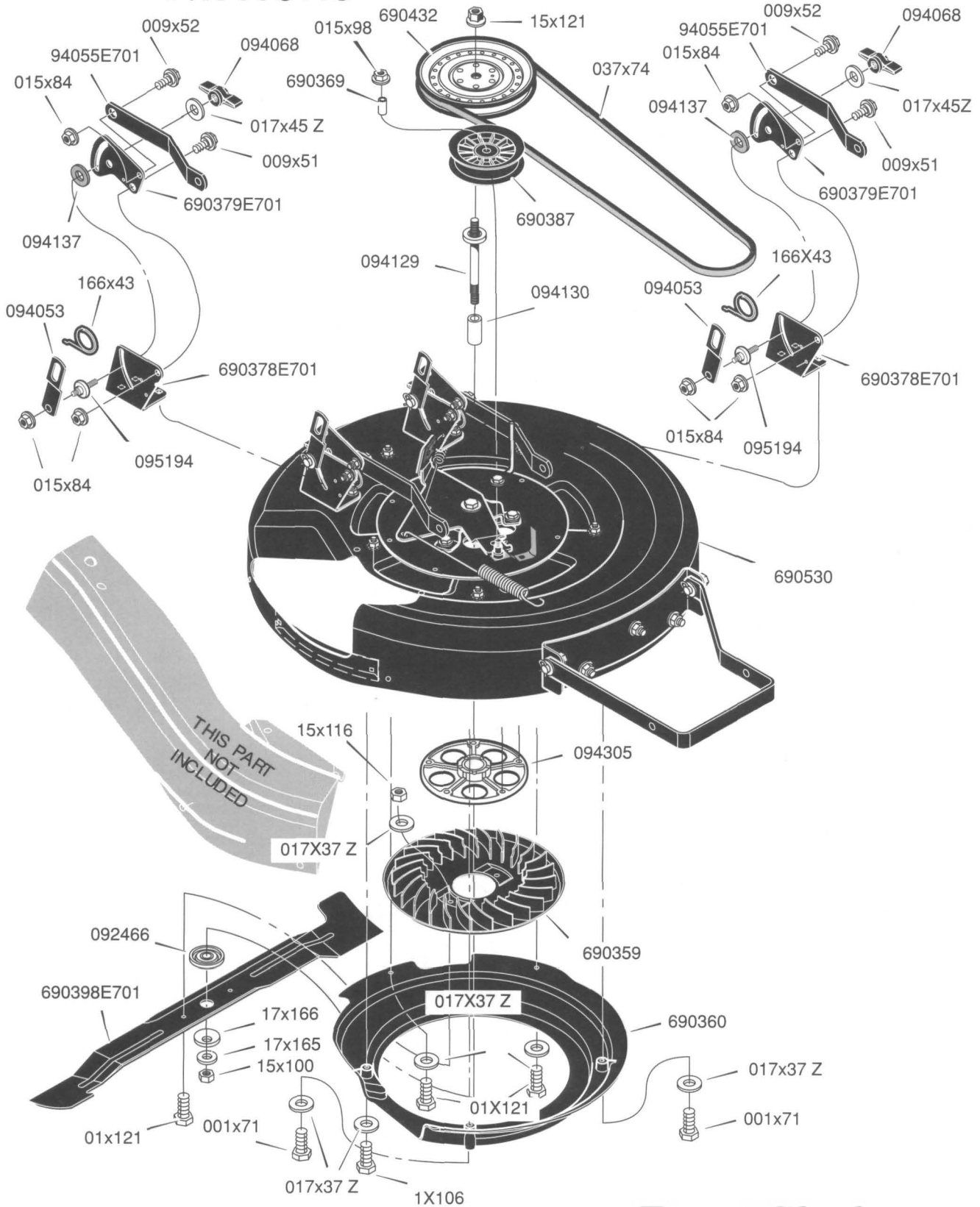
**40" LT RAIL FRAME
Complete Mower Deck
P/N 776001**



**38" LT RAIL FRAME
Complete Mower Deck
P/N 776000**

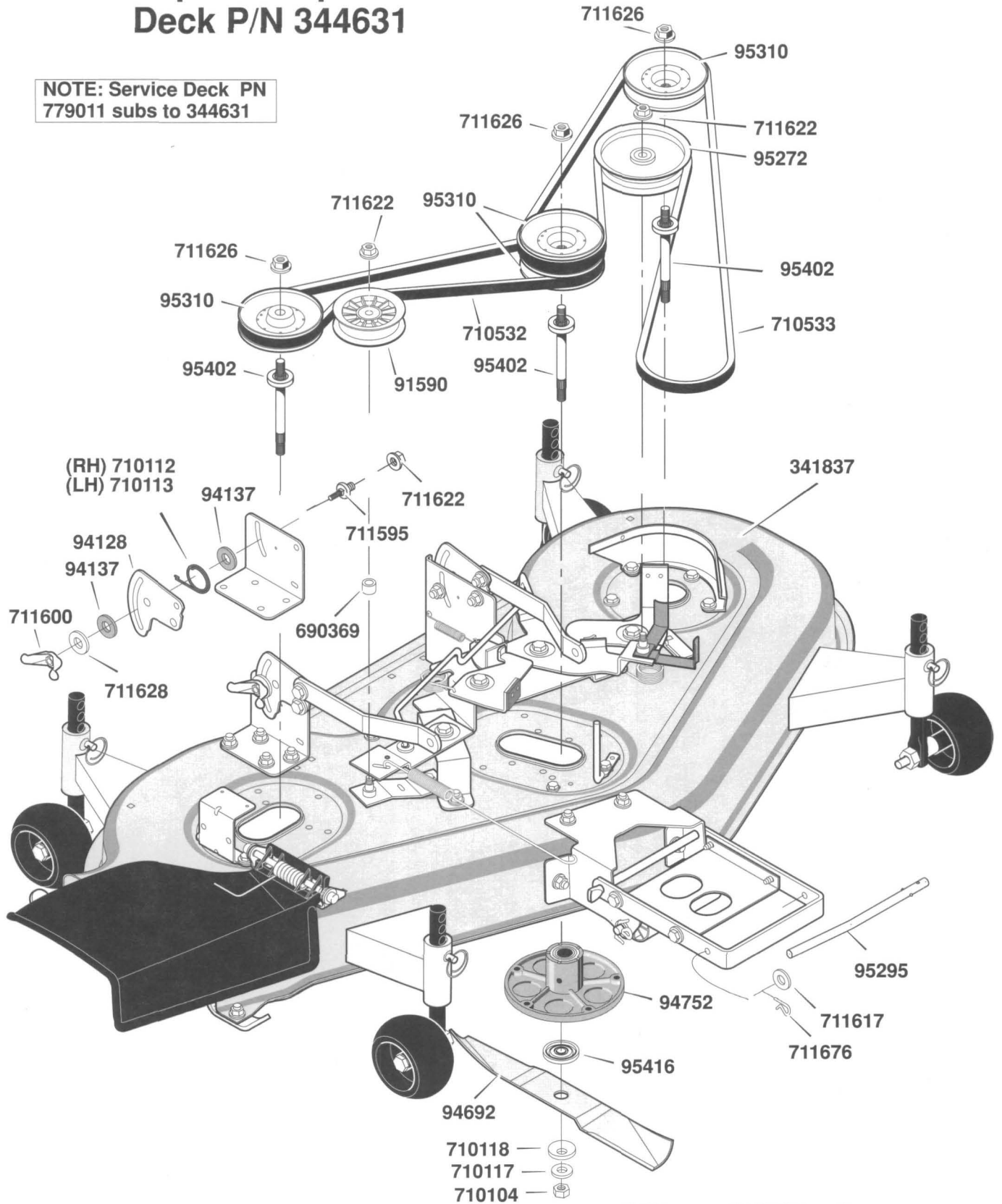


30" Export LAWN TRACTOR Complete Mower Deck P/N 776110

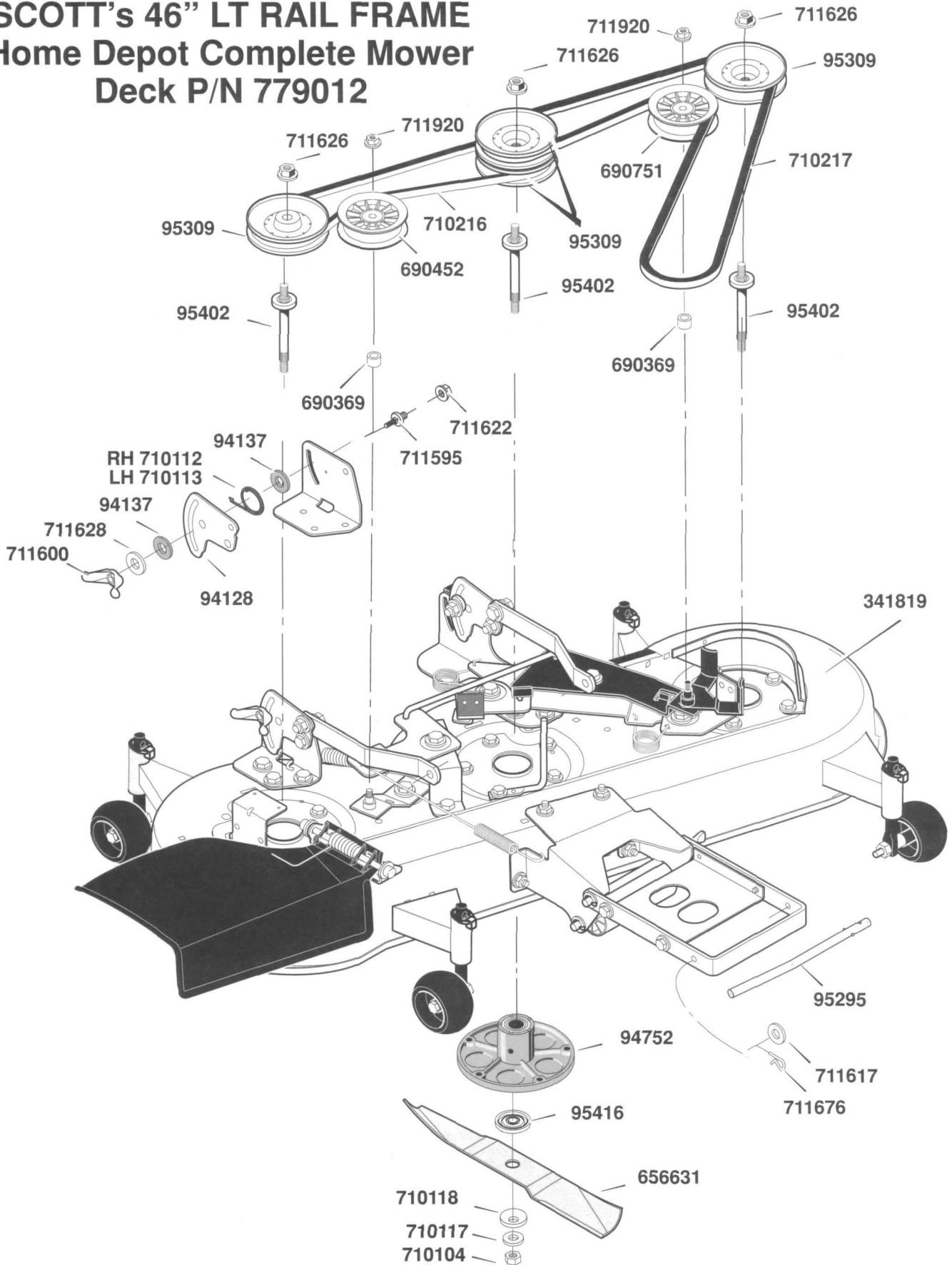


SCOTT's 50" LT RAIL FRAME
Home Depot Complete Mower
Deck P/N 344631

NOTE: Service Deck PN 779011 subs to 344631

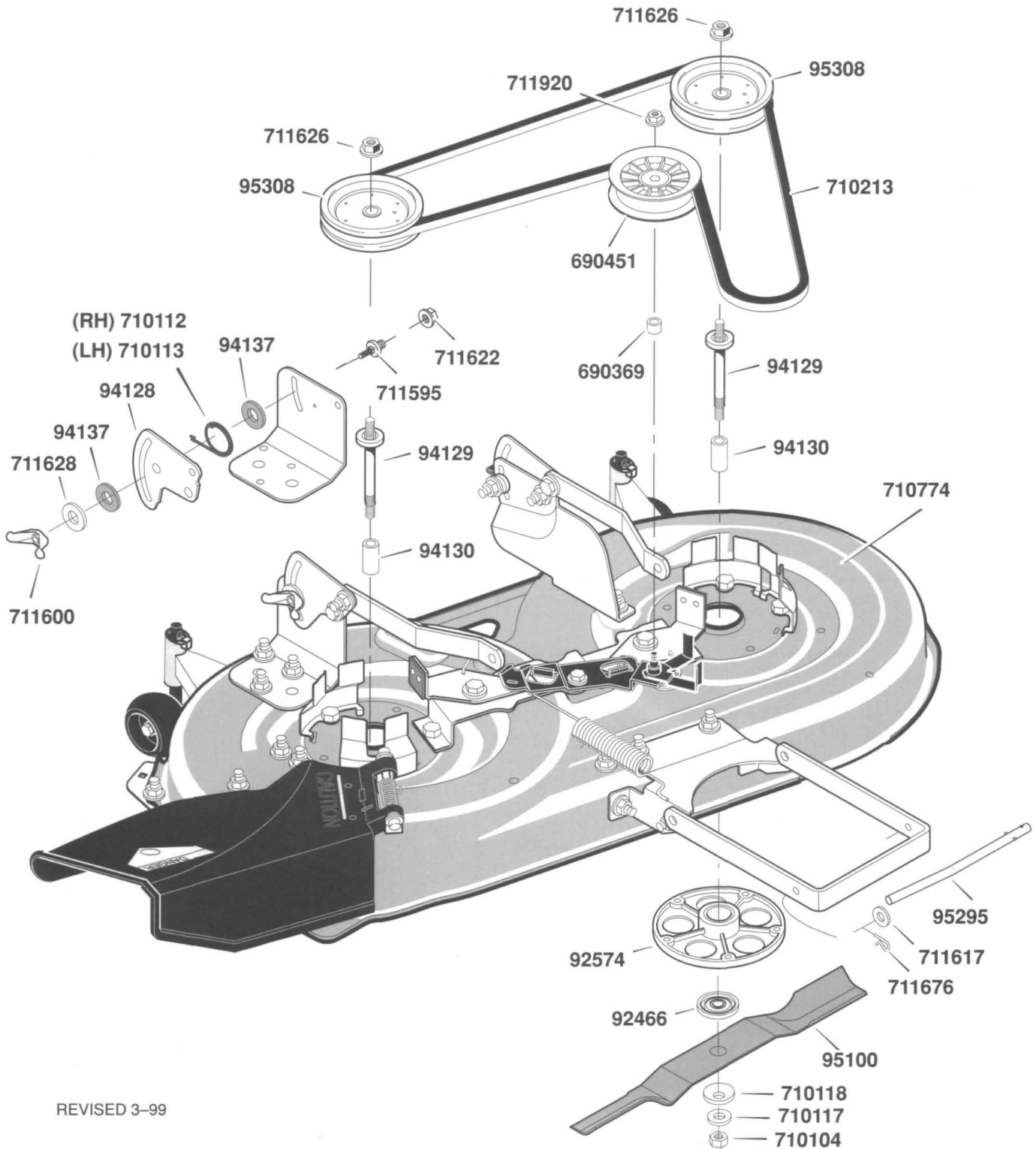


SCOTT'S 46" LT RAIL FRAME
Home Depot Complete Mower
Deck P/N 779012



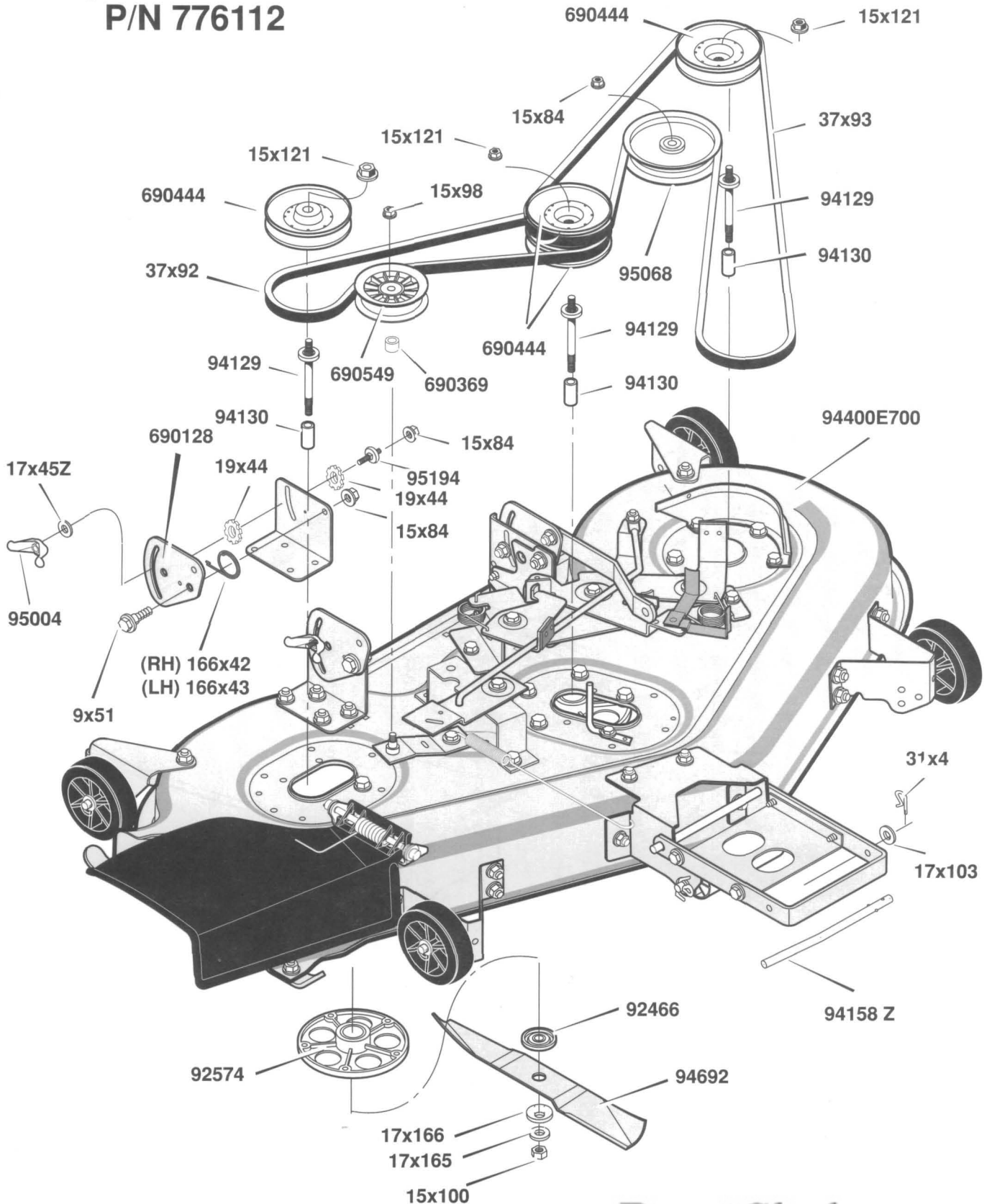
QUICK REFERENCE PARTS

**SCOTT'S 42" LT RAIL FRAME
Home Depot Complete Mower
Deck P/N 779010**

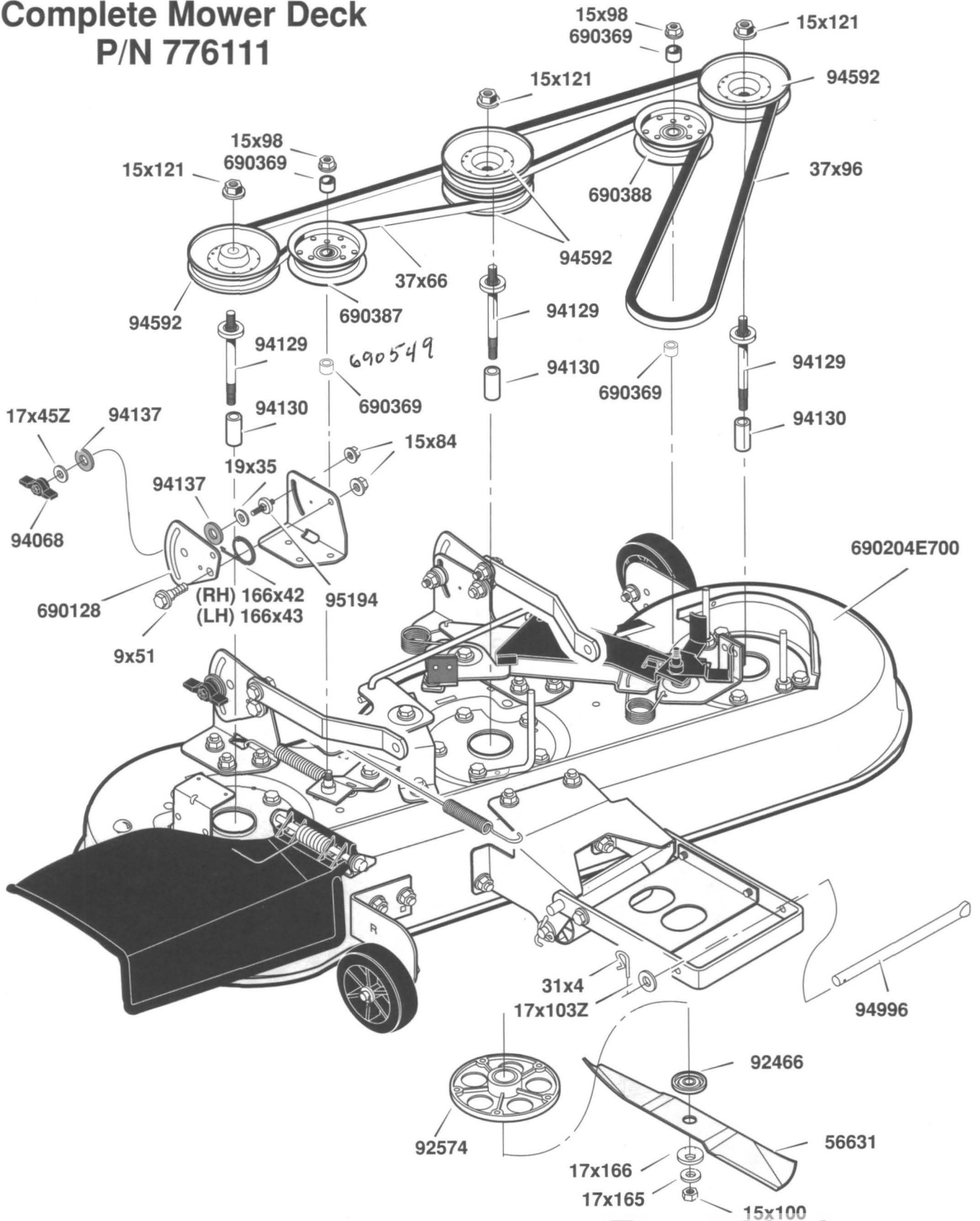


REVISED 3-99

52" GT RAIL FRAME Complete Mower Deck P/N 776112

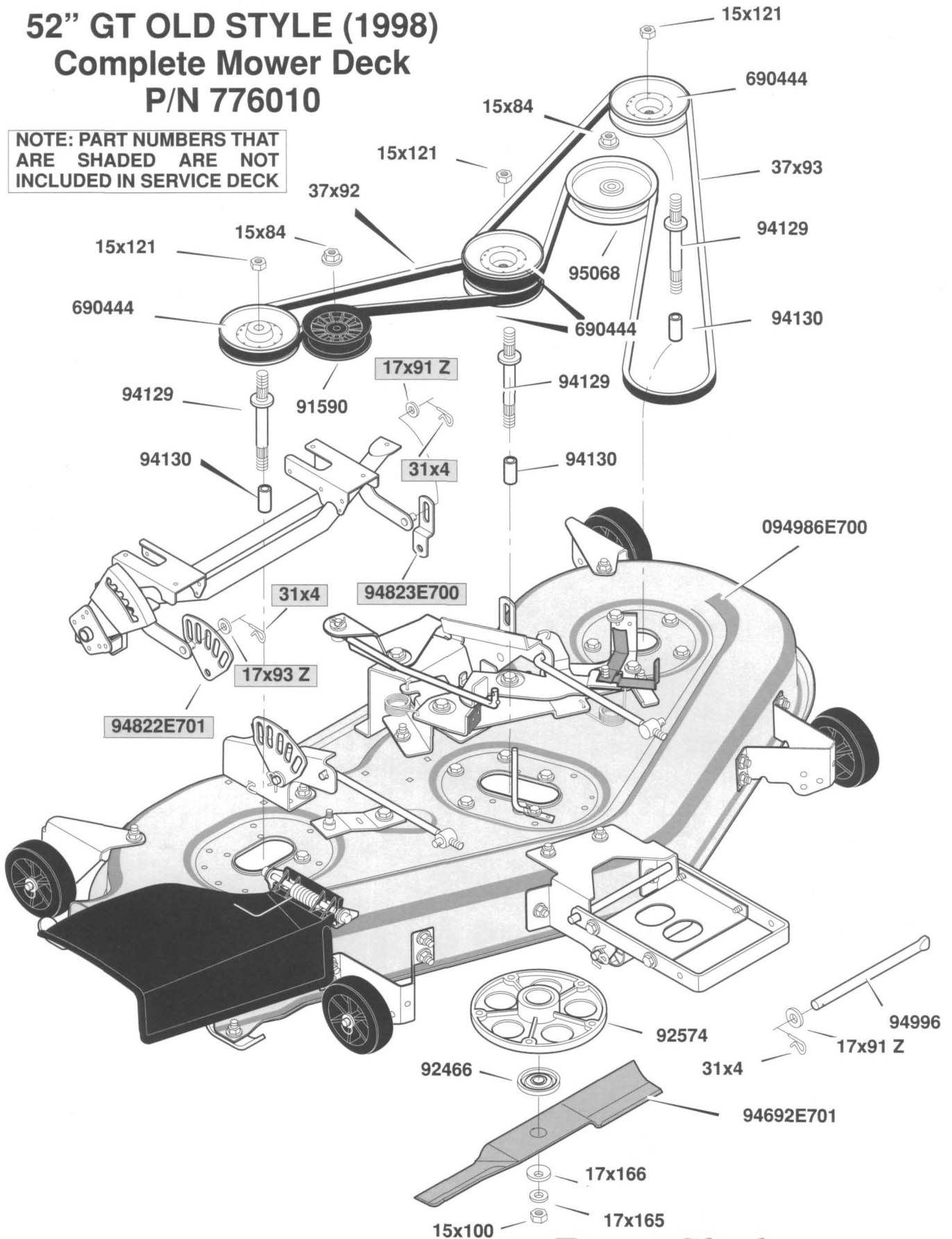


46" GT RAIL FRAME Complete Mower Deck P/N 776111



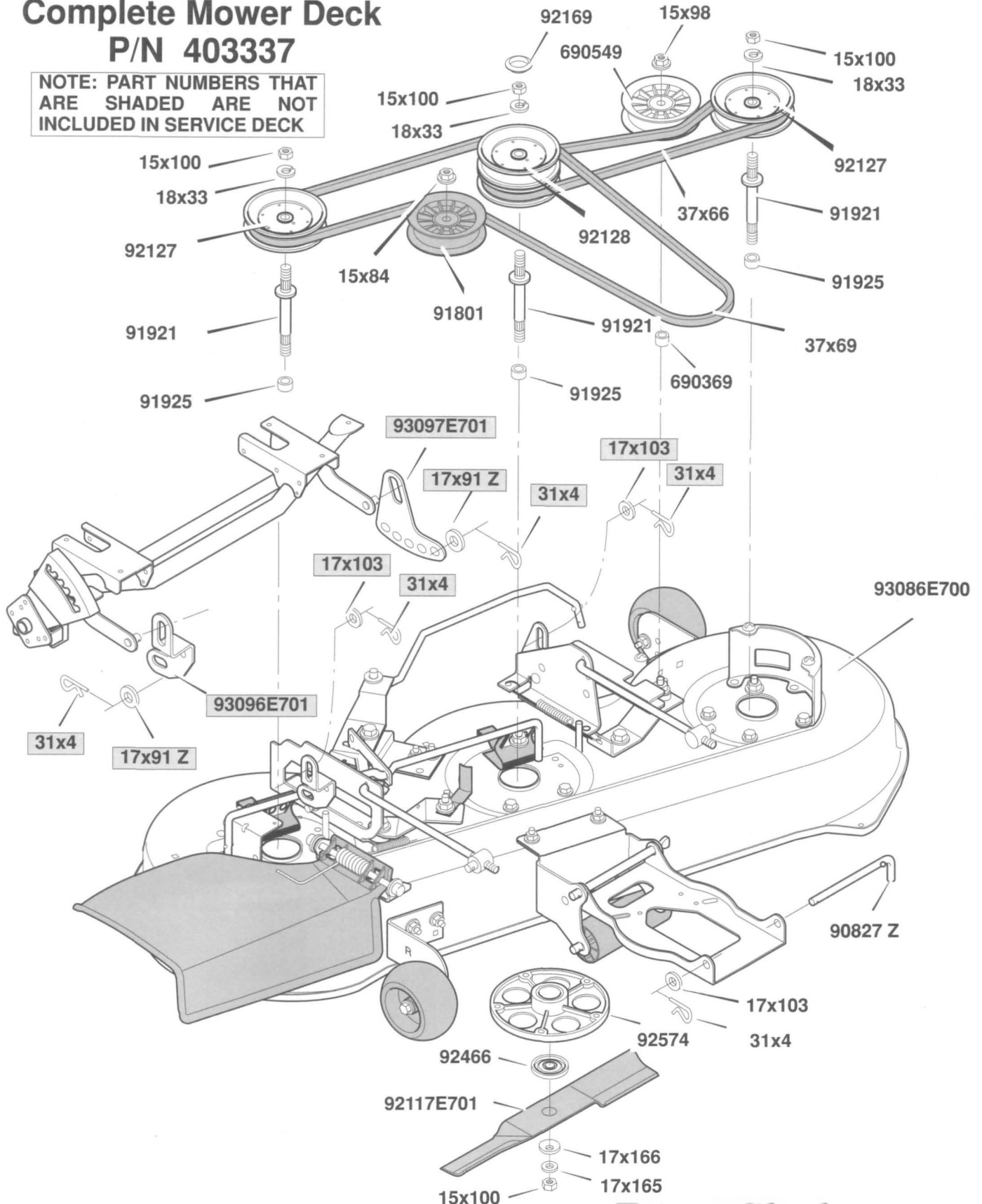
52" GT OLD STYLE (1998) Complete Mower Deck P/N 776010

NOTE: PART NUMBERS THAT
ARE SHADED ARE NOT
INCLUDED IN SERVICE DECK



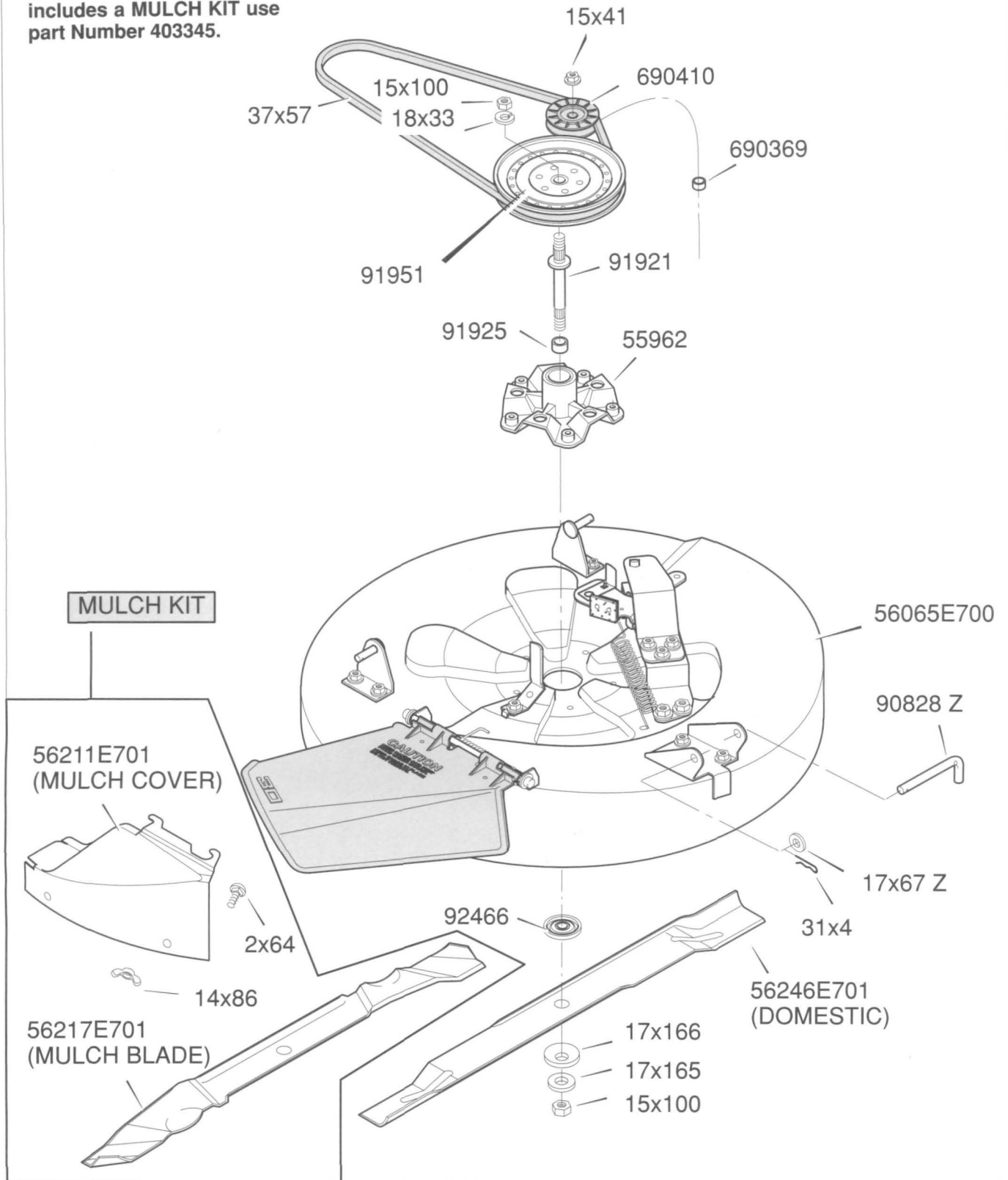
46" GT OLD STYLE Complete Mower Deck P/N 403337

NOTE: PART NUMBERS THAT ARE SHADED ARE NOT INCLUDED IN SERVICE DECK



30" REAR ENGINE RIDER Complete Mower Deck P/N 403330

NOTE: If the Mower Deck includes a MULCH KIT use part Number 403345.



QUICK REFERENCE PARTS

LAWN MOWER REPLACEMENT BLADES

The following Blade Information applies to ALL Walk Behind Mowers, Rear Engine Rider Mowers and Tractor Mowers Manufactured by Murray, Inc. Also included is information on Noma products dating back to approximately 1994.

HOW TO USE THE BLADE CHARTS

CHART 1: Refer to this Chart if you have a Blade Part Number. All Blade Part Numbers included in this Chart are listed in numerical order by the amount of digits in the **Root Number** starting from the fewest to the most digits. This Chart also includes Part Number variations and substitutions.

Locate the Number and refer to the Status of Stock Column:

- If a Substitution Number is in this column, then refer to that number elsewhere in Chart 1.
- If **NLA** is in this column, then the blade is **NO LONGER AVAILABLE**.
- If **USAGE NOTE** is in this column, then refer to the **NOTE** below.

USAGE NOTE: THESE BLADES CANNOT BE USED ON PRODUCT MANUFACTURED AFTER JUNE 30, 1998 (DOM 98181).

- If a Blank Space is in this column, then the Part Number is good, and more information is available in Chart 2. Refer to the Page Number in the last column for more information.

CHART 2: Refer to this Chart if you do not have a Part Number, but have the Blade in hand. The Blades in this Chart are grouped together by Deck Size. An Illustration is provided in this Chart along with some information regarding Blade Dimensions, Hole Type and Type of Blade.

NOTE: Not all Blades included in Chart 1 will be found in Chart 2.

PART NUMBER EXPLANATION

1. The Root Number has between 4 and 6 digits

<u>8581</u>	Blade 42"
<u>42225</u>	Blade 22"
<u>690508</u>	Blade 30"

2. The SUFFIX denotes FINISH.

<u>42225E701</u>	Blade 22" Painted Flat Black
<u>42225 HT</u>	Blade 22" Heat Treated
<u>690508E701</u>	Blade 30" Painted Flat Black

CHART 1

PART NUMBER	STATUS OF STOCK	SEE PAGE NUMBER
8581	SUB 782974	
8684	SUB 782971	
8685	SUB 782965	
9248	SUB 782972	
20045	SUB 42785E701	48

PART NUMBER	STATUS OF STOCK	SEE PAGE NUMBER
20045 HT	SUB 42785E701	48
20045E701	SUB 42785E701	48
20046 HT	SUB 42225E701	50
20046E701	SUB 42225E701	50
20059E701	NLA	

QUICK REFERENCE PARTS

PART NUMBER	STATUS OF STOCK	SEE PAGE NUMBER
20083 HT	SUB 20083E701	
20083E701		51
20928 HT	NLA	
20928E701	NLA	
20929 HT	NLA	
20929E601	NLA	
20929E701	NLA	
20930 HT	SUB 54390E701	53
20930E701	SUB 54390E701	53
22860 HT	SUB 22860E701	
22860E701		49
24116 HT	SUB 54390E701	
24116E601	SUB 54390E701	
24458 HT	SUB 24458E701	
24458E701		58
24524 HT	SUB 24524E701	
24524E601	SUB 24524E701	
24524E701		52
24525 E	SUB 24524E701	
24525 HT	SUB 56061E701	
24617 HT	NLA	
24869 HT	SUB 24869E701	
24869E701		52
25105	SUB 24869E701	
25112	SUB 20083E701	
25624	SUB 24869E701	
25627	SUB 54053E701	
42225 HT	SUB 42225E701	
42225E601	SUB 42225E701	
42225E701		50
42739 HT	SUB 22860E701	
42785 HT	SUB 42785E701	
42785E701		48
42786 HT		50
42786E701	SUB 42786 HT	
43050 HT	SUB 43050E701	
43050E701		49
43610 HT	SUB 43836E701	49
43610E701	SUB 43836E701	49
43836E701		49

PART NUMBER	STATUS OF STOCK	SEE PAGE NUMBER
43865E701	SUB 71548E701	
54053 E	SUB 54053E701	
54053 HT	SUB 54053E701	
54053E601	SUB 54053E701	
54053E701		52
54171 E	SUB 56061E701	
54171 HT	SUB 56061E701	
54372 E	SUB 54390E701	
54372 HT	SUB 54390E701	
54373 HT	SUB 54421	
54389 E	SUB 54421	
54390 E	SUB 54390E701	
54390 HT	SUB 54390E701	
54390E701		54
54421		54
55454 HT	SUB 55793E701	
55457 HT	SUB 55457E701	
55457E701		52
55458 HT	SUB 56246E701	
55793 HT	SUB 55793E701	
55793E601	SUB 55793E701	
55793E701		52
55969 HT	SUB 55969E701	
55969E701		52
55970 HT	SUB 56061E701	
56060 HT	SUB 56246E701	52
56060E701	SUB 56246E701	52
56061 HT	SUB 56061E701	
56061E701		53
56210	SUB 56217E701	
56212E701	SUB 56246E701	
56217	SUB 56217E701	
56217E701		53
56246E701		53
56250E701	See Usage Note	54
56251E701	See Usage Note	55
56252E701	See Usage Note	58
56370	SUB 782974	
56631E701		60
56821	SUB 782965	54

QUICK REFERENCE PARTS

PART NUMBER	STATUS OF STOCK	SEE PAGE NUMBER
57299	SUB 309069	
58190	SUB 306932	
58212	SUB 306931	
71113E701	SUB 71849E701	51
71161E701	SUB 71584E701	
71499E701	SUB 71849E701	51
71548E701		48
71584-853	SUB 71584E701	
71584E701		50
71849E701		51
71877-853	SUB 71877E701	
71877E701		50
90877 HT	SUB 90877E701	
90877E601	SUB 91213E701	
90877E701		56
90877SE	NLA	
90878 HT	SUB 90878E701	
90878E601	SUB 90878E701	
90878E701		56
91212 HT	SUB 91212E701	
91212E701		56
91212SE	NLA	
91213 HT	SUB 91213E701	
91213E701		56
91742 HT	SUB 91472E701	
91742E701		54
91871 HT	SUB 91871E701	
91871E701		56
92002 HT	SUB 92002E701	
92002E701		56
92003 HT	SUB 92003E701	
92003E701		54
92117E701		60
92351E701		60
92352E701		60
92418E701	SUB 95101E701	58
92419E701		58
92543E701	See Usage Note	55
92544E701	See Usage Note	56
92545-853	SUB 92545E701	

PART NUMBER	STATUS OF STOCK	SEE PAGE NUMBER
92545E701	See Usage Note	58
94119E701		61
94208	SUB 690500-853	57
94209	SUB 690499-853	57
94692E701		61
94913E701		55
95096	SUB 690500-853	57
95097	SUB 690499-853	57
95100-853	SUB 95100E701	
95100E701		58
95101-853	SUB 95101E701	
95101E701		58
95102-853		59
95102E701		59
95103-853	SUB 95103E701	
95103E701		57
95104E701		55
303065	SUB 309070	
305012	SUB 313316	
306931		60
306932		55
309069		55
309070		57
309571	SUB 317071	
310764		48
313316		57
313954	SUB 316608	
314369	SUB 326961	
314275	SUB 325751	
316608		59
317071		60
325751		53
325761	SUB 330277	
325762	SUB 330278	
326160	SUB 330425	
326961		59
330277		57
330278		59
330425		55
642785-853	SUB 42785E701	

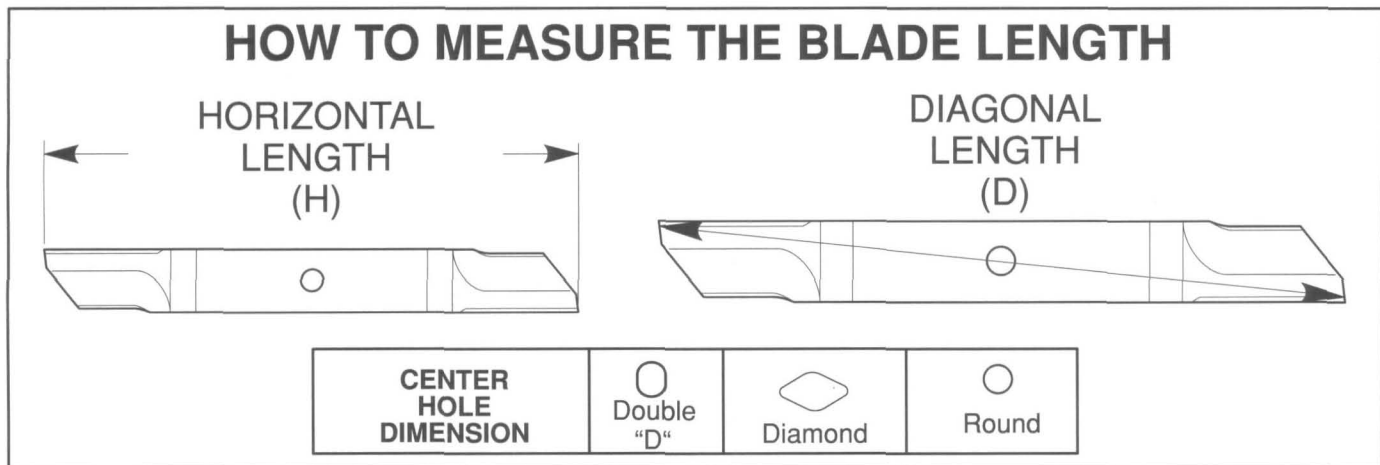
QUICK REFERENCE PARTS

PART NUMBER	STATUS OF STOCK	SEE PAGE NUMBER
656252-853	SUB 56252E701	
656631-853	SUB 56631E701	
671849-853	SUB 71849E701	
671921E701	SUB 672763E701	
672056E701		49
672057E701	NLA	50
672059E701		51
672089-853	SUB 672089E701	
672089E701		50
672573E701		51
672735E701		51
672763E701		49
672814E701		49
690205E701		59
690398E701		53
690499-853		57
690500-853		57
782965		54
782971		53
782972		60
782974		59

PART NUMBER	STATUS OF STOCK	SEE PAGE NUMBER

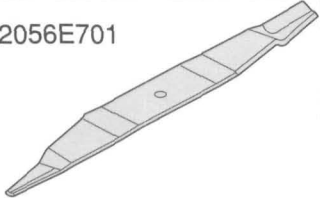
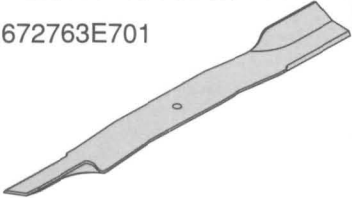
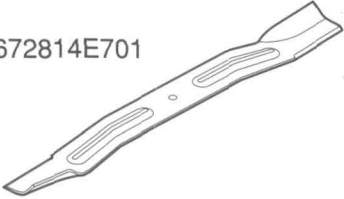
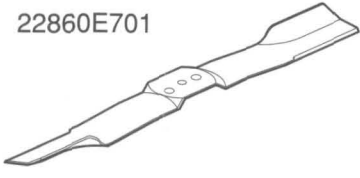
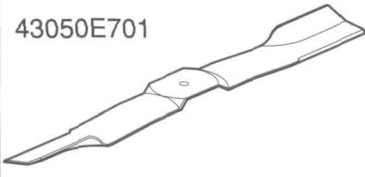
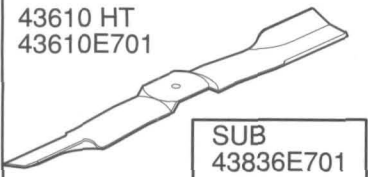
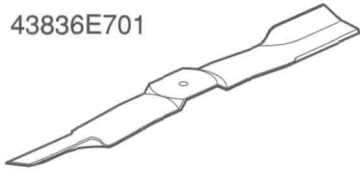
LAWN MOWER REPLACEMENT BLADES

CHART 2

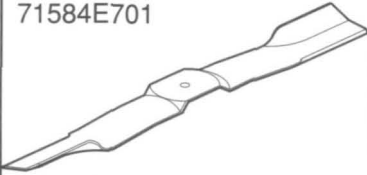
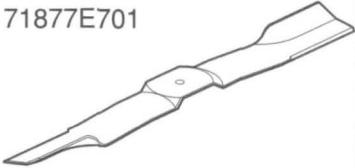
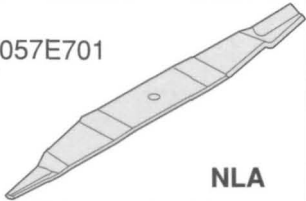
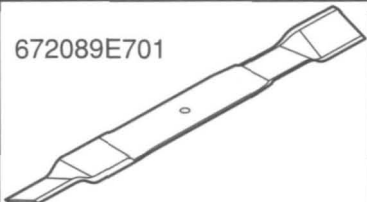
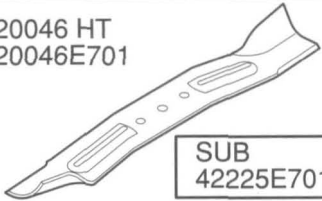
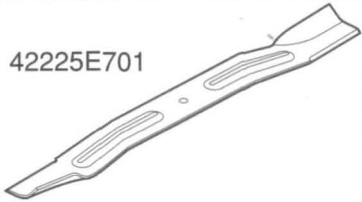
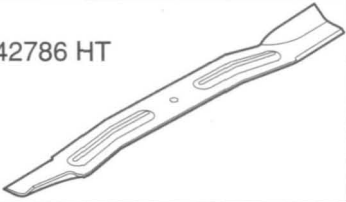


MOWER SIZE	PART NUMBER	REPLACES	BLADE LENGTH	CENTER HOLE DIM.	THICKNESS - WIDTH	TYPE BLADE
20"	20045 20045 HT 20045E701 SUB 42785E701		19.87" (D)	Round (.406)	.125" - 2.25"	LOW-LIFT
20"	42785E701 	20045 20045 HT 20045E701 42785 HT 642785-853	19.69" (D)	Round (.406)	.125" - 2.25"	LOW-LIFT
20"	71548E701 	43865E701	19.38" (D)	Round (.406)	.127" - 2.25"	MULCH ONLY
20"	 310764		19.56" (H)	Round (.380)	.135" - 2.08"	LOW-LIFT
20"	671921E701 SUB 672763E701		19.88" (D)	Round (.406)	.125" - 2.25"	LOW-LIFT

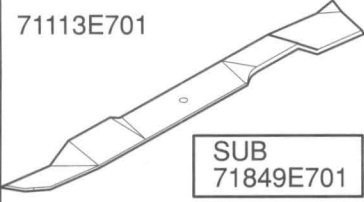
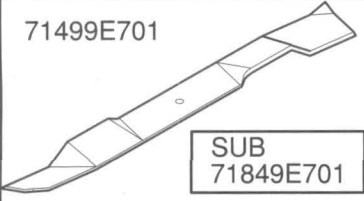
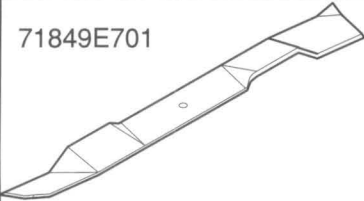
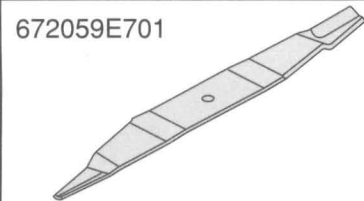
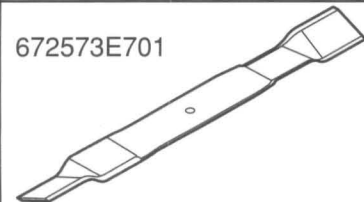
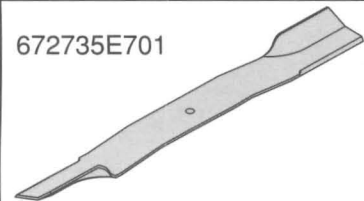
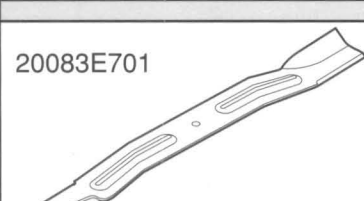
QUICK REFERENCE PARTS

MOWER SIZE	PART NUMBER	REPLACES	BLADE LENGTH	CENTER HOLE DIM.	THICKNESS - WIDTH	TYPE BLADE
20"	672056E701 		19.88" (D)	Round (.406)	.125" - 2.25"	3-N-1
20"	672763E701 	671921E701	19.88" (D)	Round (.406)	.125" - 2.25"	3-N-1
20"	672814E701 		19.69" (D)	Round (.406)	.125" - 2.25"	LOW-LIFT
21"	22860E701 	22860 HT 42739 HT	20.37" (D)	Round (.406)	.125" - 2.25"	HIGH-LIFT
21"	43050E701 	43050HT	20.87" (D)	Round (.406)	.125" - 2.25"	HIGH-LIFT
21"	43610 HT 43610E701  SUB 43836E701		20.88" (D)	Round (.406)	.125" - 2.25"	HIGH-LIFT
21"	43836E701 	43610 HT 43610E701	20.88" (D)	Round (.406)	.125" - 2.25"	HIGH-LIFT

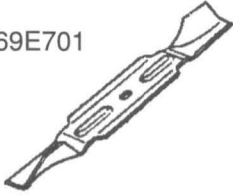
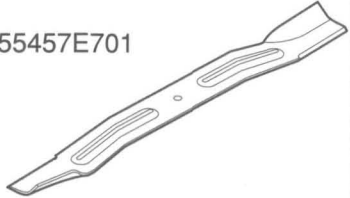
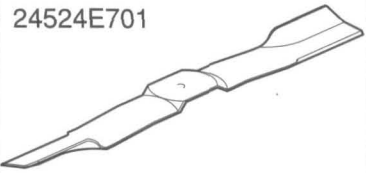
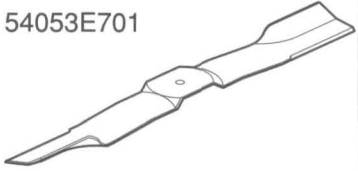
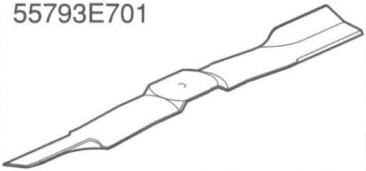
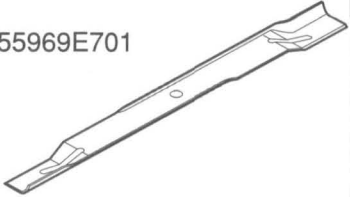
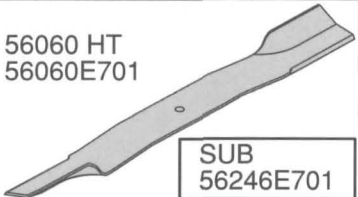
QUICK REFERENCE PARTS

MOWER SIZE	PART NUMBER	REPLACES	BLADE LENGTH	CENTER HOLE DIM.	THICKNESS - WIDTH	TYPE BLADE
21"	71584E701 	71161E701 71584-853	20.88" (D)	Round (.406)	.125" - 2.25"	3-N-1
21"	71877E701 	71877-853	20.88" (D)	Round (.406)	.125" - 2.25"	EXPORT LOW-LIFT
21"	672057E701  NLA		20.88" (D)	Round (.406)	.125" - 2.25"	3-N-1
21"	672089E701 	672089-853	20.62" (D)	Round (.406)	.125" - 2.25"	REVERSIBLE 3-N-1
22"	20046 HT 20046E701  SUB 42225E701		21.87" (D)	Round (.406)	.125" - 2.25"	HIGH-LIFT
22"	42225E701 	20046 HT 20046E701 42225 HT 42225E701 E601	21.94" (D)	Round (.406)	.125" - 2.25"	HIGH-LIFT
22"	42786 HT 	42786E701	21.75" (D)	Round (.406)	.149" - 2.25"	HIGH-LIFT

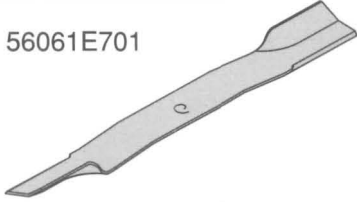
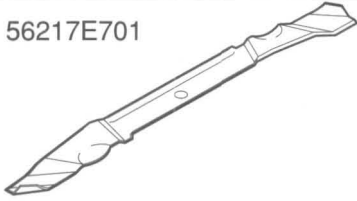
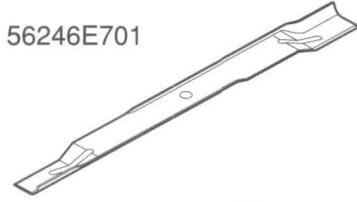
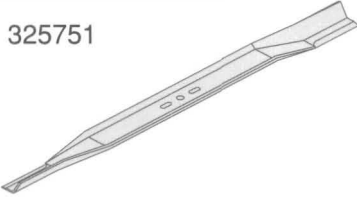

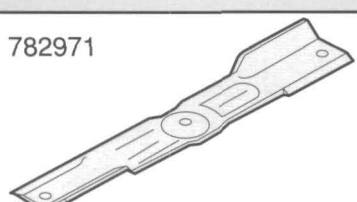
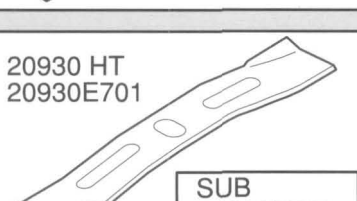
QUICK REFERENCE PARTS

MOWER SIZE	PART NUMBER	REPLACES	BLADE LENGTH	CENTER HOLE DIM.	THICKNESS - WIDTH	TYPE BLADE
22"	71113E701  SUB 71849E701		21.88" (D)	Round (.406)	.144" - 2.25"	3-N-1
22"	71499E701  SUB 71849E701		21.88" (D)	Round (.406)	.144" - 2.25"	3-N-1
22"	71849E701 	671849-853 71113E701 71499E701	21.88" (D)	Round (.406)	.144" - 2.25"	3-N-1
22"	672059E701 		21.88" (D)	Round (.406)	.125" - 2.25"	3-N-1
22"	672573E701 		21.62" (D)	Round (.406)	.125" - 2.25"	REVERSIBLE 3-N-1
22"	672735E701 		21.62" (D)	Round (.406)	.125" - 2.25"	3-N-1
25"	20083E701 	20083 HT 25112	24.75" (H)	Double "D" (1.01) (.884)	.125" - 2.25"	LOW-LIFT

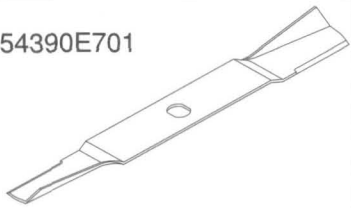
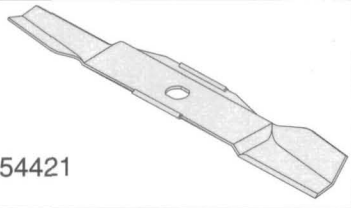
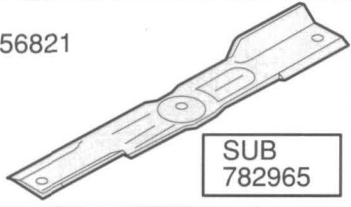
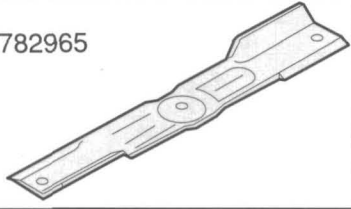
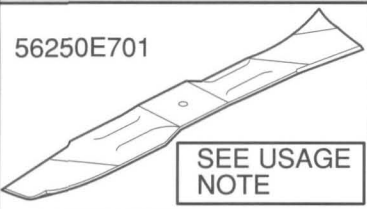
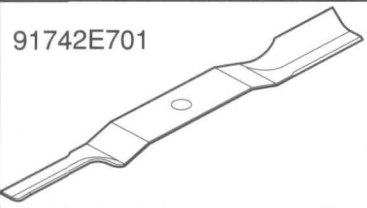
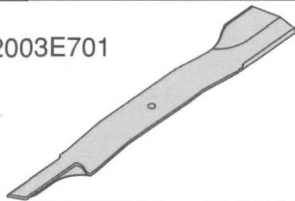
QUICK REFERENCE PARTS

MOWER SIZE	PART NUMBER	REPLACES	BLADE LENGTH	CENTER HOLE DIM.	THICKNESS - WIDTH	TYPE BLADE
25"	24869E701 	24869 HT 25105 25624		Double "D" (1.01) (.884)	.125" - 2.25"	HIGH-LIFT
25"	55457E701 	55457 HT	24.75" (H)	Round (.852)	.125" - 2.25"	LOW-LIFT
30"	24524E701 	24525 E 24524 HT 24524E601	30.00" (D)	Double "D" (1.01) (.884)	.149" - 2.25"	LOW-LIFT
30"	54053E701 	25627 54053 E 54053 HT 54053E601	30.00" (D)	Double "D" (1.01) (.884)	.149" - 2.25"	HIGH-LIFT
30"	55793E701 	55454 HT 55793 HT 55793E601	30.00" (D)	Round (.852)	.179" - 2.25"	LOW-LIFT
30"	55969E701 	55969 HT	30.00" (H)	Round (.852)	.149" - 2.75"	HIGH-LIFT
30"	56060 HT 56060E701  SUB 56246E701		30.00" (H)	Round (.852)	.149" - 2.75"	HIGH-LIFT

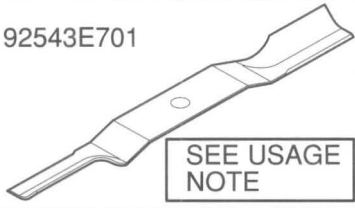
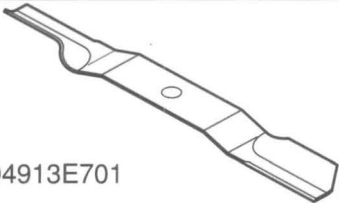
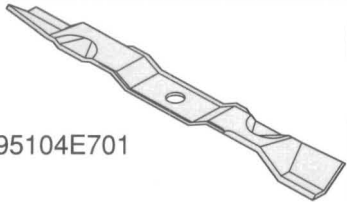
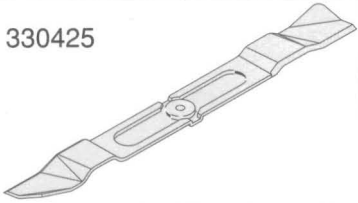
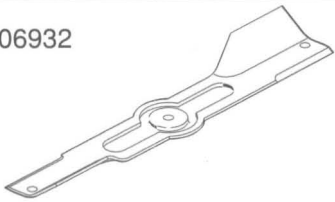
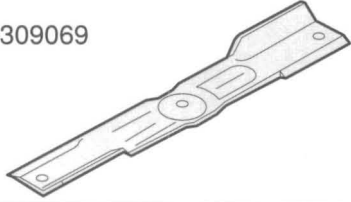
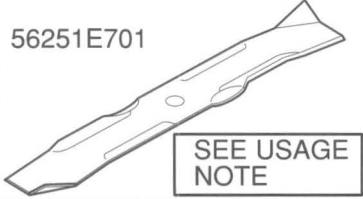
QUICK REFERENCE PARTS

MOWER SIZE	PART NUMBER	REPLACES	BLADE LENGTH	CENTER HOLE DIM.	THICKNESS - WIDTH	TYPE BLADE
30"	56061E701 	24525 HT 54171 E 54171 HT 55970 HT 56061 HT	30.00" (H)	Double "D" (1.01) (.884)	.149" - 2.75"	HIGH-LIFT
30"	56217E701 	56210 56217	30" (H)	Round (.852)	.144" - 2.73"	3-N-1
30"	56246E701 	55458 HT 56060 HT 56060E701 56212E701	29.97" (H)	Round (.852)	.144" - 2.73"	HIGH-LIFT
30"	325751 	314275	29.90" (D)	Round (.502)	.179" - 2.50"	HIGH-LIFT
30"	690398E701 		29.63" (D)	Round (.852)	.144" - 3.87"	EXPORT HIGH-LIFT Rear Discharge Only
32"	782971 	8684	16.125" D	Round (.309)	.126" - 2.07"	LOW-LIFT
36"	20930 HT 20930E701  SUB 54390E701		18.25" (H)	Double "D" (1.01) (.884)	.125" - 2.25"	LOW-LIFT

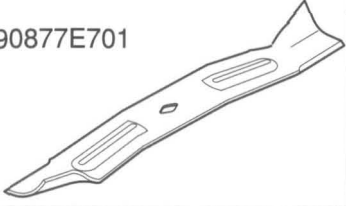
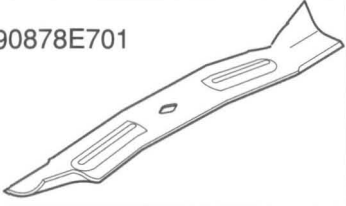
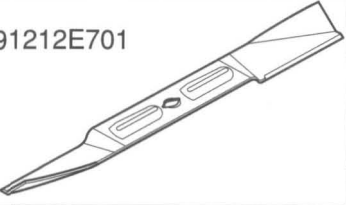
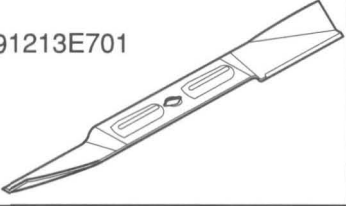
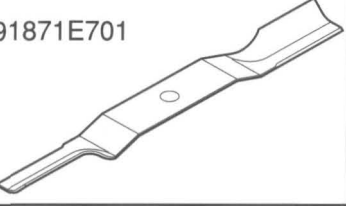
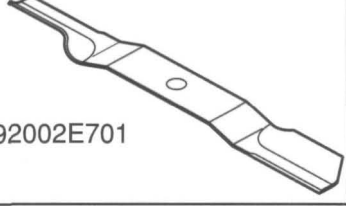
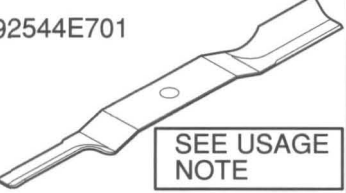
QUICK REFERENCE PARTS

MOWER SIZE	PART NUMBER	REPLACES	BLADE LENGTH	CENTER HOLE DIM.	THICKNESS - WIDTH	TYPE BLADE
36"	54390E701 	20930 HT 20930E701 24116 HT 24116E601 54372 E 54372 HT 54390 E 54390 HT	18.25" (H)	Double "D" (1.01) (.884)	.125" - 2.25"	HIGH-LIFT
36"	54421 	54373 HT 54389 E	18.25" (H)	Double "D" (1.01) (.884)	.149" - 2.25"	HIGH-LIFT
36"	56821  SUB 782965		18.13" (D)	Round (.390)	.126" - 2.07"	LOW-LIFT
36"	782965 	8685 56821	18.13" (D)	Round (.390)	.126" - 2.07"	LOW-LIFT
38"	56250E701  SEE USAGE NOTE		19.49" (D)	Round (.852)	.125" - 2.72"	3-N-1 LEFT
38"	91742E701 	91742 HT	19.36" (H)	Round (.852)	.119" - 2.25"	HIGH-LIFT
38"	92003E701 	92003 HT	19.36" (H)	Round (.852)	.119" - 2.25"	EXPORT LOW-LIFT

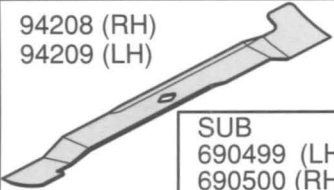
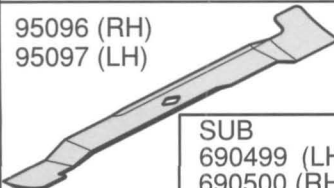
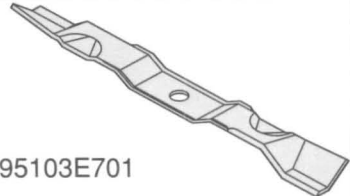
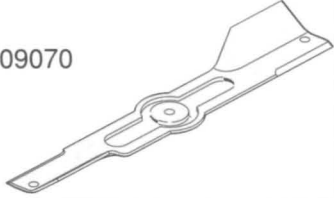
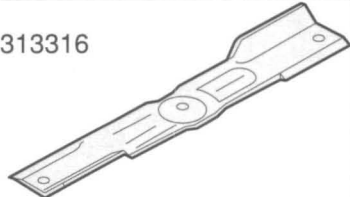
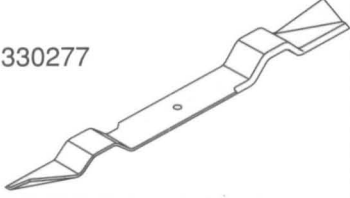
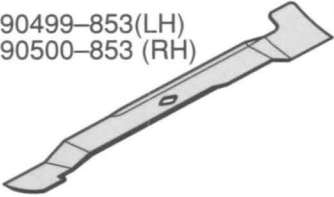
QUICK REFERENCE PARTS

MOWER SIZE	PART NUMBER	REPLACES	BLADE LENGTH	CENTER HOLE DIM.	THICKNESS - WIDTH	TYPE BLADE
38"	92543E701  SEE USAGE NOTE		19.36" (H)	Round (.852)	.125" - 2.25"	3-N-1 RIGHT
38"	94913E701 		19.36" (H)	Round (.852)	.125" - 2.25"	EXPORT LOW-LIFT
38"	95104E701 	92543E701 56250E701	19.30" (H)	Round (.852)	.125" - 2.25"	3-N-1
38" 39"	330425 	326160	19.69" (D)	Round (.390)	.1345" - 2.07	3-N-1
39"	306932 	58190	19.69" (D)	Round (.390)	.126" - N/A	HIGH-LIFT
39"	309069 	57299	19.69" (D)	Round (.390)	.126" - 2.07"	LOW-LIFT
40"	56251E701  SEE USAGE NOTE		20.35" (D)	Round (.852)	.125" - 2.72"	3-N-1 LEFT

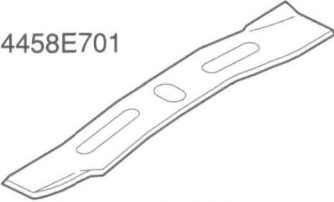

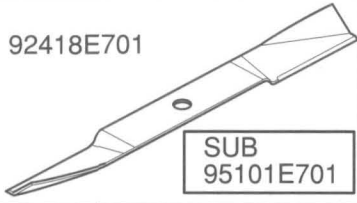

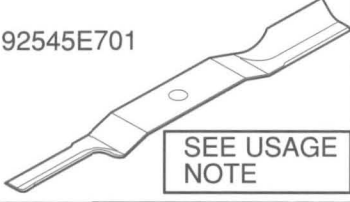
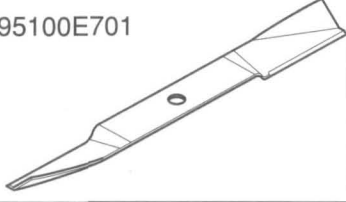

QUICK REFERENCE PARTS

MOWER SIZE	PART NUMBER	REPLACES	BLADE LENGTH	CENTER HOLE DIM.	THICKNESS - WIDTH	TYPE BLADE
40"	90877E701 	90877 HT	20.94" (H)	Diamond (1.60) (.880)	.119" - 2.25"	HIGH-LIFT LEFT
40"	90878E701 	90878 HT 90878E601	20.94" (H)	Diamond (1.60) (.880)	.119" - 2.25"	HIGH-LIFT RIGHT
40"	91212E701 	91212 HT	20.94" (H)	Diamond (1.60) (.880)	.119" - 2.25"	HIGH-LIFT RIGHT
40"	91213E701 	90877E601 91213 HT	20.94" (H)	Diamond (1.60) (.880)	.119" - 2.25"	HIGH-LIFT LEFT
40"	91871E701 	91871 HT	20.26" (H)	Round (.852)	.119" - 2.25"	HIGH-LIFT
40"	92002E701 	92002 HT	20.26" (H)	Round (.852)	.119" - 2.25"	EXPORT LOW-LIFT
40"	92544E701  <div style="border: 1px solid black; padding: 2px; display: inline-block;">SEE USAGE NOTE</div>		20.26" (H)	Round (.852)	.125" - 2.25"	3-N-1 RIGHT


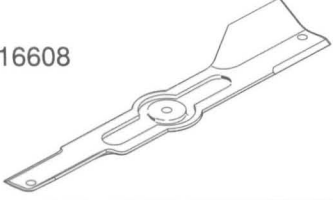
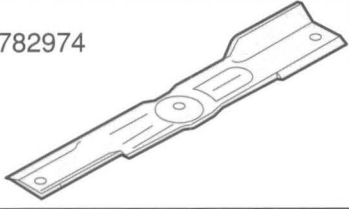

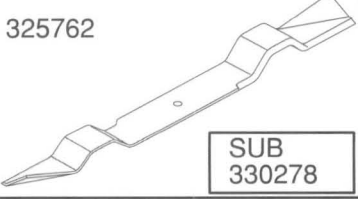
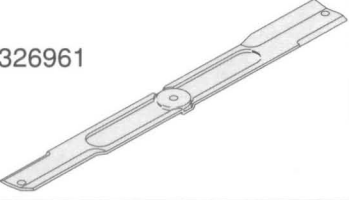
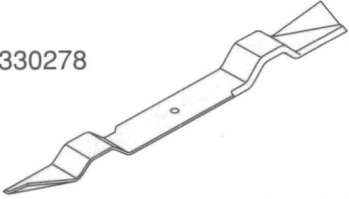
QUICK REFERENCE PARTS

MOWER SIZE	PART NUMBER	REPLACES	BLADE LENGTH	CENTER HOLE DIM.	THICKNESS - WIDTH	TYPE BLADE
40"	94208 (RH) 94209 (LH)  <div style="border: 1px solid black; padding: 2px; width: fit-content; margin-top: 5px;"> SUB 690499 (LH) 690500 (RH) </div>		20.38" (H)	Diamond (1.60) (.880)	.180" - 4.20"	EXPORT HIGH-LIFT Rear Discharge
40"	95096 (RH) 95097 (LH)  <div style="border: 1px solid black; padding: 2px; width: fit-content; margin-top: 5px;"> SUB 690499 (LH) 690500 (RH) </div>		20.38" (D)	Diamond (1.60) (.880)	.180" - 4.20"	EXPORT HIGH-LIFT Rear Discharge
40"	 95103E701	56251E701 92544E701 95103-853	20.25" (H)	Round (.852)	.125" - 2.25"	3-N-1
40"	309070 	303065	20.32" (D)	Round (.390)	.126" -	HIGH-LIFT
40"	313316 	305012	20.22" (D)	Round (.390)	.126" - 2.07"	LOW-LIFT
40"	330277 	325761	20.32" (D)	Round (.390)	.179" - 2.07"	3-N-1
40"	690499-853(LH) 690500-853 (RH) 	94208 (RH) 94209 (LH) 95096 (RH) 95097 (LH)	20.38" (D)	Diamond (1.60) (.880)	.180" - 4.20"	EXPORT HIGH-LIFT Rear Discharge

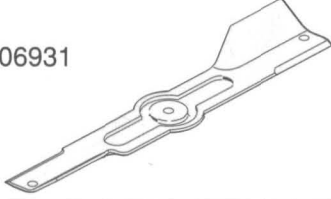

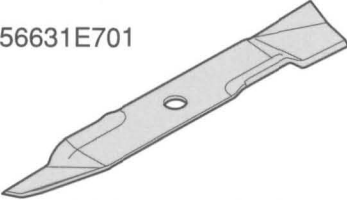
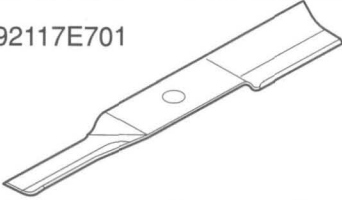
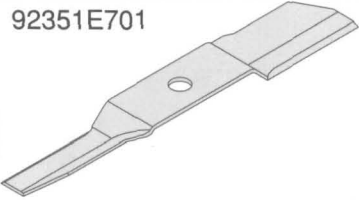
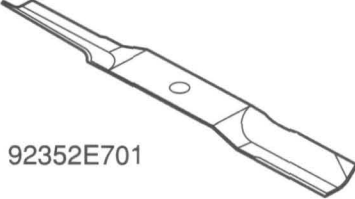
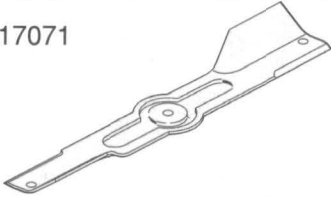
QUICK REFERENCE PARTS

MOWER SIZE	PART NUMBER	REPLACES	BLADE LENGTH	CENTER HOLE DIM.	THICKNESS - WIDTH	TYPE BLADE
42"	24458E701 	24458 HT	15.05" (H)	Double "D" (1.01) (.890)	.126" - 2.25"	LOW-LIFT
42"	56252E701  SEE USAGE NOTE	656252-853	21.24" (D)	Round (.852)	.125" - 2.72"	3-N-1 LEFT
42"	92418E701  SUB 95101E701		21.16" (H)	Round (.852)	.144" - 2.25"	HIGH-LIFT
42"	92419E701 		21.16" (H)	Round (.852)	.144" - 2.25"	LOW-LIFT
42"	92545E701  SEE USAGE NOTE	92545-853	21.16" (H)	Round (.852)	.144" - 2.25"	3-N-1 RIGHT
42"	95100E701 	95100-853	21.07" (H)	Round (.852)	.125" - 2.25"	3-N-1
42"	95101E701 	92418E701 95101-853	21.16" (H)	Round (.852)	.125" - 2.25"	HIGH-LIFT

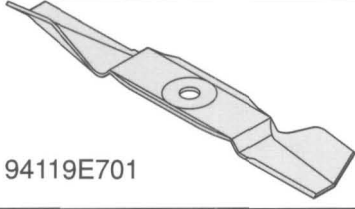
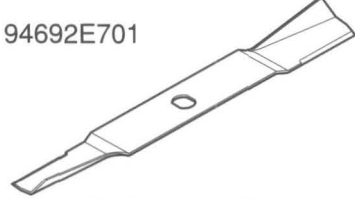
QUICK REFERENCE PARTS

MOWER SIZE	PART NUMBER	REPLACES	BLADE LENGTH	CENTER HOLE DIM.	THICKNESS - WIDTH	TYPE BLADE
42"	95102E701 95102-853 		21.16" (H)	Round (.852)	.125" - 2.25"	EXPORT LOW-LIFT
42"	316608 	313954	21.70" (D)	Round (.390)	.126" - N/A	HIGH-LIFT
42"	782974 	56370 8581	14.5 (D)	Round (.390)	.126" - 2.07"	LOW-LIFT
42"	690205E701 		21.28" (D)	Round (.852)	.125" - 2.25"	EXPORT LOW-LIFT
42" 43"	325762  SUB 330278		21.58" (D)	Round (.390)	.179" - 2.07"	3-N-1
43"	326961 	314369	21.70" (D)	Round (.390)	.126" - 2.07"	LOW-LIFT
43"	330278 	325762	21.58" (D)	Round (.390)	.179" - 2.07"	3-N-1

QUICK REFERENCE PARTS

MOWER SIZE	PART NUMBER	REPLACES	BLADE LENGTH	CENTER HOLE DIM.	THICKNESS - WIDTH	TYPE BLADE
45"	306931 	58212	18.13" (D)	Round (.390)	.126" - N/A	HIGH-LIFT
45"	782972 	9248	9.625" (D)	Round (.390)	.126" - N/A	LOW-LIFT
46"	56631E701 	656631-853	15.58" (H)	Round (.852)	.125" - 2.25"	3-N-1
46"	92117E701 		15.59" (H)	Round (.852)	.125" - 2.25"	HIGH-LIFT
46"	92351E701 		15.59" (H)	Round (.852)	.125" - 2.25"	LOW-LIFT
46"	92352E701 		15.59" (H)	Round (.852)	.125" - 2.25"	LOW-LIFT
46"	317071 	309571	16.13" (D)	Round (.390)	.126" - N/A	HIGH-LIFT

QUICK REFERENCE PARTS

MOWER SIZE	PART NUMBER	REPLACES	BLADE LENGTH	CENTER HOLE DIM.	THICKNESS - WIDTH	TYPE BLADE
48" - 52"	 94119E701		17.66" D	Round (.852)	.144 - 2.25"	HIGH-LIFT
48" - 52"	 94692E701		17.52" (H)	Round (.852)	.144 - 2.25"	3-N-1

BLADE TYPE EXPLANATION

This Chart will help to determine the recommended use of a particular type blade.

BLADE TYPE	FREE DISCHARGE	BAGGING	MULCHING	NOISE OR WEAR REDUCTION
LOW-LIFT	X			X
HIGH-LIFT	X	X		
3-N-1	X	X	X	X

NOTES



BEBCO, INC.

2221 2nd. Ave. South
Birmingham, AL. 35233
(205) 251-4600
1-800-828-8094

Alabama, Florida, Georgia, Puerto Rico

BILLIOU'S, INC.

1343 South Main St.
Porterville, CA. 93257
(559) 784-4102
1-877-245-5468
FAX: 1-800-266-7337

Arizona, California, Hawaii, Nevada

BROWN & WISER, INC.

9991 S.W. Avery Street
P.O. Box 1109
Tualatin, OR. 97062
(503) 692-0330
1-800-882-4782

Alaska, Idaho (counties Ada, Adams, Benewah, Boise, Bonner, Boundry, Canyon, Clearwater, Elmore, Gem, Idaho, Kooten, Latah, Lewis, Nez Perce, Owyee, Payette, Ravalli, Shoshone, Valley, Washington), **Montana** (counties Flathead, Lake, Lincoln, Mineral, Missoulo, Ravalli, Sanders), **Oregon, Washington**

CPT CANADA POWER TECHNOLOGY LIMITED

Mississauga

161 Watline Avenue
Mississauga, Ontario
L4Z-1P2
(905) 890-6900
1-800-861-9559

Edmonton

101-10411 178TH Street
Edmonton, Alberta
T5S 1R5
(780) 453-5791
1-800-861-9559

Ville St-Laurent

234 Migneron Street
Ville St-Laurent, Quebec
H4T 1Y7
(514) 731-3559
1-800-861-9559
Canada

CHILTON AIR COOLED ENGINE

319 4th. Ave. South
P.O. Box 150806
Nashville, TN. 37215
(615) 254-1637
1-800-621-6934

Web Site: www.chiltoncompanies.com

Arkansas (counties Clay, Craighead, Crittendan, Cross, Greene, Jackson, Lawrence, Lee, Mississippi, Monroe, Phillips, Poinsett, Randolph, St. Francis, Woodruff), **Mississippi** (counties Desota, Panola, Quitman, Tate, Tunica), **Missouri** (counties Dunkin, New Madrid, Pemiscot), **Tennessee, Virginia** (counties Bland, Buchanan, Dickenson, Lee, Russell, Scott, Smyth, Tazewell, Washington, Wise)

ENGINES SOUTHWEST

1255 North Hearne
Shreveport, LA. 71107
(318) 222-3871
1-800-388-6995

P. O. Box 67
Shreveport, LA. 71161
(318) 222-3871
1-800-388-6995

Web Site: www.enginessw.com

Arkansas (except these counties: Clay, Craighead, Crittendan, Cross, Greene, Hempstead, Howard, Jackson, Lafayette, Lawrence, Lee, Little River, Miller, Mississippi, Monroe, Nevada, Phillips, Pike, Poinsett, Randolph, Sevier, St. Francis, Woodruff) **Louisiana, Mississippi** (except these counties: Desota, Panola, Quitman Tate, Tunica)

FRANK EDWARDS CO.

3626 Parkway Blvd.
West Valley City, UT 84120
P.O. Box 70628; West Valley City, UT
84170-0628
1-800-318-0201 (801) 736-8060
FAX: (801) 736-8067 or (800) 570-0491

Colorado, Idaho (counties Bannock Bearlake, Bingham, Blaine, Booneville, Butte, Camas, Caribou, Cassia, Custer, Franklin, Fremont, Gooding, Jefferson, Jerome, Lemhi, Lincoln, Madison, Minidoka, Oneida, Power, Teton, Twin Falls) **Montana** (all counties except Flathead, Lake, Lincoln, Mineral, Missoulo, Ravalli, and Sanders), **Utah, Wyoming**

GARDNER, INC.

1150 Chesapeake Ave.
Columbus, OH. 43212
(614) 488-7951
1-800-848-8946

Indiana, Kentucky, Michigan (except upper Peninsula), **Ohio, Western Pennsylvania** with zip codes up to and including 16999, **West Virginia**

GULF COAST ENGINE, INC.

4202 Russell Dr.
P.O. Box 9724
Corpus Christi, TX. 78408
(512) 888-6999
1-800-825-6999

Arkansas (counties Hempstead, Howard, Lafayette, Little River, Miller, Nevada, Pike, Sevier) **New Mexico, Oklahoma, Texas, Mexico**

OSCAR WILSON ENGINE & PARTS

826 Lone Star Dr.
O'Fallon, MO. 63366
(314) 978-1313
1-800-873-6722

Illinois (S. of Hwy. 80), **Iowa, Kansas, Missouri** (all counties except Dunkin, New Madrid, Pemiscot) **Nebraska**

R.B.I. CORPORATION

P.O. Box 9318
Richmond, VA. 23227
(804) 550-2210
1-800-888-7149

Connecticut, Delaware, District of Columbia, Maine, Maryland, Massachusetts, New Hampshire, New Jersey, New York, N. & S. Carolina, Pennsylvania zips 17000 & up, **Rhode Island, Vermont, Virginia** (all counties except Bland, Buchanan, Dickenson, Lee, Russell, Scott, Smyth, Tazewell, Washington, Wise)

WISCONSIN MAGNETO (2 LOCATIONS)

4727 N. Teutonia Ave.
Milwaukee, WI. 53209
(414) 445-2800
1-800-733-7388

Illinois (N. of Hwy. 80), **Michigan** (upper Peninsula), **Wisconsin**

800 McKinley St.
Anoka, MN. 55303
(612) 323-7477
1-800-248-4016

Minnesota, North & South Dakota



MURRAY®

P.O. Box 268
219 Franklin Road
Brentwood, TN 37027

BrentChalmers.com

