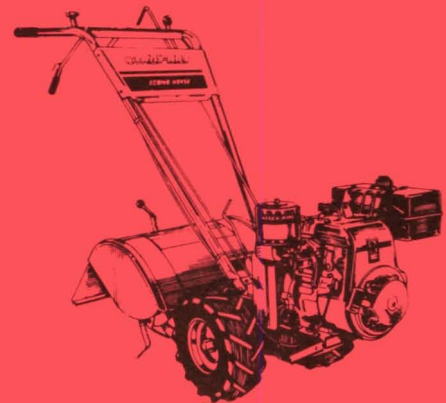




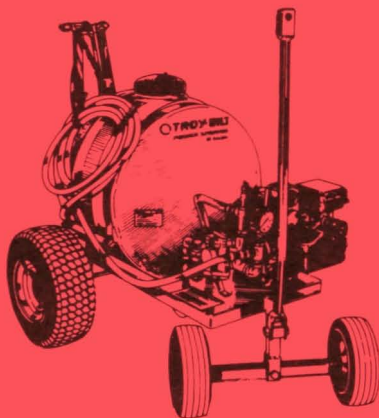
# Garden Way Inc.



1993

**TROY-BILT™**

**Service**



AN AMERICAN LEGEND CARING FOR THE LAND

[BrentChalmers.com](http://BrentChalmers.com)

## INTRODUCTION

The Service Book has been assembled to provide dealer personnel with a convenient source of answers to common questions relating to Troy-Bilt products. A majority of the subjects were also within the content of our Dealer Service training seminars. Therefore, you may find this a review of topics discussed at the seminars, while dealers unable to attend can also benefit through the availability of this important information.

All Troy-Bilt products are identified by sku/model and serial number. Products are also listed by name (example: Horse). Always know the sku/model and serial numbers before calling Technical Service or ordering parts. This will help prevent receiving incorrect information or wrong parts. Serial number changes indicate changes in the product.

For factory phone information, refer to contacts below. Please have as much information as possible whenever you call the factory for assistance. Your dealer name, account number and phone number are important, especially for the factory to return phone calls. Whenever you reach a recorder, this means Technical Service Lines are busy at the time, therefore leave a message. Phone calls are usually returned within one working day.

We hope this information will prove helpful to you. The time spent in review will likely be paid back quickly through better and more efficient service.

## FACTORY FUNCTIONS & CONTACTS

### **Technical Service**

Garden Way - Port Washington, WI  
1-800-274-5527  
Fax#: 1-414-284-3965  
414-284-5521

Product Technical  
Assistance - Ext. 1580

### **Warranty**

Garden Way - Port Washington, WI  
1-800-274-5527

Warranty Details

### **Parts**

Garden Way - Port Washington, WI  
1-800-274-5527  
Fax#: 1-414-284-3965  
Fax#: 1-800-241-2442 (Domestic Only)

Parts Orders/Inquires  
Ext. 1590

### **Dealer Support Group**

Garden Way - Troy, NY  
1-800-843-2496

Sales/Wholegoods  
Marketing  
Advertising

## TABLE OF CONTENTS

	<b>Page</b>
<b><u>WALK BEHIND MOWERS</u></b>	
Walk Behind Mower Identification .....	2
Models and Specifications .....	3
Attachment Interchangeability .....	8
Mulching Mower Gear Case Removal .....	9
Mulching Mower Belt Replacement .....	10
Vacu-Cut Mower Gear Case Removal .....	9
Vacu-Cut Mower BBC Removal .....	8
Safety Specifications for Power Mowers .....	11
<b><u>ROTARY TILLERS</u></b>	
Rotary Tiller Identification .....	12
Models and Specifications .....	14
Attachment Interchangeability .....	26
<b><u>BRUSHCUTTER</u></b>	
Brushcutter Identification .....	27
Models, Specifications & Attachments .....	27
<b><u>CHIPPER/SHREDDERS</u></b>	
Chipper/Shredder Identification .....	28
Models and Specifications .....	30
Attachment Interchangeability .....	35
Clutch Breakdown (Early Models) .....	37
Belt Tension Adjustment .....	37
<b><u>CHIPPER/VACS</u></b>	
Chipper/Vac Identification .....	29
Models and Specifications .....	34
Attachment Interchangeability .....	36
<b><u>WALK BEHIND SNOWTHROWERS</u></b>	
Snowthrower Identification .....	38
Models, Specifications & Attachments .....	38
Engine RPM .....	38
<b><u>SPRAYERS</u></b>	
Sprayer Identification .....	39
Models and Specifications .....	39
Attachment Interchangeability .....	40
<b><u>MISCELLANEOUS PRODUCTS</u></b>	
Miscellaneous Identification .....	41
Models and Attachments .....	41
<b><u>TRACTORS</u></b>	
Tractor Identification .....	42
Models and Specifications .....	43
Attachment Interchangeability .....	44
<b><u>MISCELLANEOUS INFORMATION</u></b>	
Recommended Fluids for Hydrostatics .....	45
Eaton, Model 750 Breakdown .....	46
Eaton, Model 751 Breakdown .....	48
Eaton, Model 11 Breakdown .....	50
Peerless Transmission/Differential/Gear Box Numbers .....	52
Belt Diagrams and V-Belt Information for Rotary Mowers .....	52
PTO Quick-Latch Universal Locking Collar .....	53
Mower Spindle Information .....	54
Electric Clutch Replacement Parts (Ogura) .....	56
Service Bulletins .....	57
News Letters .....	57
Miscellaneous Part Numbers .....	58

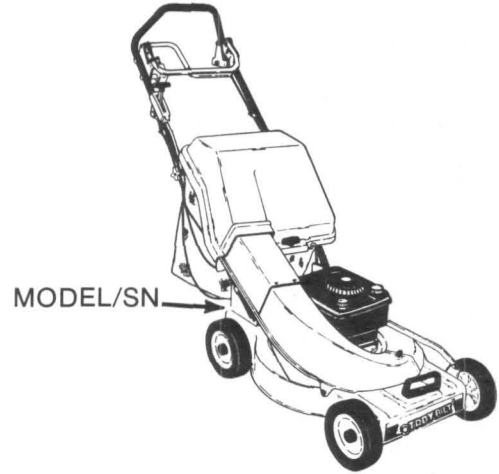
# WALKING MOWER IDENTIFICATION

## MULCHER



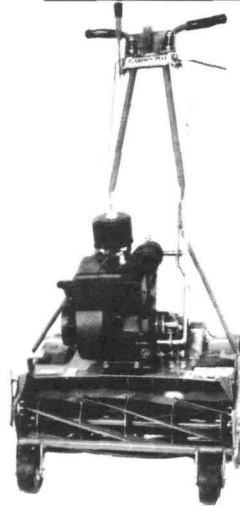
(Attachments - Page 8)

## VACU-CUT®



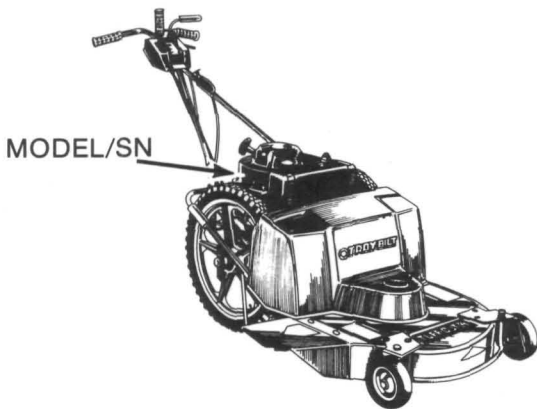
(Attachments - Page 8)

## ScissorCUT®



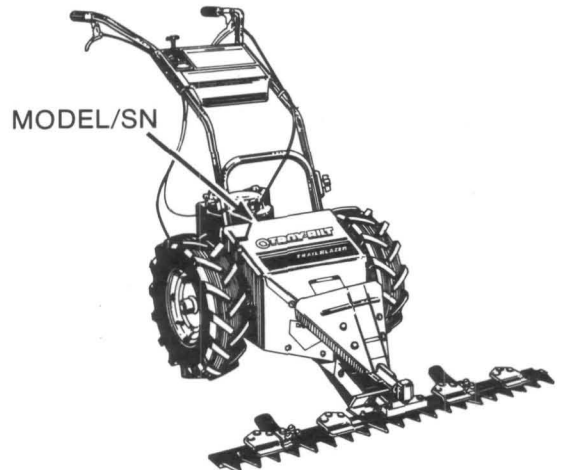
(Attachments - None)

## TUFF-CUT®



(Attachments - Page 8)

## TRAIL BLAZER®



(Attachments - Page 8)

## WALKING MOWER MODELS AND SPECIFICATIONS

SKU/ Model	Serial Number	Engine Model & Type	HP	In. Cut	Push	Self Prop.	Elec. Start	Reel	Compli- ance	Sickle	Side Disch.
<b>1985</b>											
<b>PRO</b>											
4983	832092	B & S	5	22	X						(11)
4984	To	B & S	5	22		X					(11)
4985	836548	B & S	7	24		X					(11)
<b>SCISSOR</b>											
<b>CUT</b>											
5019	N/A	B & S 80202-1676	3	20		X		(3)			
5020	N/A	B & S 80202-1676	3	20		X		(4)			
5021	N/A	Koh K91T-311001	4	25		X		(3)			
5022	N/A	Koh K91T-311001	4	25		X		(4)			
<b>TUFF CUT I</b>											
4994	T100000/T102423	B & S 130907-1234	5	22		X	X		X		(5)
4995	T100000/T102423	B & S 130902-1233	5	22		X			X		(5)
4996	T600000/T602222	B & S 190707-2518	8	24		X	X				(5)
4997	T100000/T102423	B & S 190702-2208	8	24		X			X		(5)
4998	T100000/T102423	B & S 130902-1233	5	22	X				X		(5)
<b>TRAIL</b>											
<b>BLAZER I</b>											
5018	P1000000/P100984	B & S 92982-5368	3.5	34		X			X	(6)	
<b>TRAIL</b>											
<b>BLAZER II</b>											
5018	100985/101640	B & S 92982-5368	3.5	34		X			X	(6)	
<b>1986</b>											
<b>SCISSOR</b>											
<b>CUT</b>											
5019	N/A	B & S 80202-1676	3	20		X		(3)			
5020	N/A	B & S 80202-1676	3	20		X		(4)			
5021	N/A	Koh K91T-311001	4	25		X		(3)			
5022	N/A	Koh K91T-311001	4	25		X		(4)			
<b>TUFF CUT II</b>											
10749	T102424/Up	B & S 130902-1233	5	22	X				X		(5)
10750	T102424/Up	B & S 130902-1233	5	22		X			X		(5)
10751	T102224/Up	B & S 130907-1234	5	22		X	X		X		(5)
10752	T602223/Up	B & S 190702-2208	8	24		X			X		(5)
10753	T602223/Up	B & S 190707-2518	8	24		X	X		X		(5)
10754	T602223/Up	B & S 130902-1233	5	22	X				X		(5)(8)
10755	T602223/Up	B & S 130902-1233	5	22		X			X		(5)(8)
10756	T602223/Up	B & S 130907-1234	5	22		X	X		X		(5)(8)
10757	T602223/Up	B & S 190702-2208	8	24		X			X		(5)(8)
10758	T602223/Up	B & S 190707-2518	8	24		X	X		X		(5)(8)
<b>TRAIL</b>											
<b>BLAZER III</b>											
5018	P101641/P105740	B & S 92982-5368	3.5	34		X			X	(6)	
10721	P101641-P105740	B & S 114982-0184 (1)	4	34		X			X	(6)(10)	
<b>TRAIL</b>											
<b>BLAZER IV</b>											
5018	P105741/Up	B & S 92982-5368	3.5	34		X			X	(6)	
10789	P105741/Up	B & S 92982-5368	3.5	34		X			X	(6)	
10790	P105741/Up	B & S 114982-0184 (1)	4	34		X			X	(6)(8)(10)	
11307	P105741/Up	B & S 114982-0184(1)	4	38		X			X	(6)(8)(10)	
11301	P105741/Up	B & S 114982-0184(1)	4	38		X			X	(6)(8)(10)	

**WALKING MOWER MODELS AND SPECIFICATIONS (CONT'D)**

SKU/ Model	Serial Number	Engine Model & Type	HP	In. Cut	Push	Self Prop.	Elec. Start	Reel	Combi- nation	Compli- ance	Sickle	Side Disch.
<b>1987</b>												
<b>SCISSOR CUT</b>												
5019	N/A	B & S 80202-1676	3	20		X			(3)			
5020	N/A	B & S 80202-1676	3	20		X			(4)			
5021	N/A	Koh K91T-311001	4	25		X			(3)			
5022	N/A	Koh K91T-311001	4	25					(4)			
<b>VACU-CUT II</b>												
11300	0100101/Up	B & S 110708-0170	4	21		X			X	X		
11301	0100101/Up	B & S 1107078-3099	4	21		X	X		X	X		
<b>TUFF CUT II</b>												
10749	To/112539	B & S 130902-1233	5	22	X					X		(5)
10750	To/T113539	B & S 130902-1233	5	22		X				X		(5)
10751	To/T112539	B & S 130907-1234	5	22		X	X			X		(5)
10752	To/T613735	B & S 190702-2208	8	24		X				X		(5)
10753	To/T613735	B & S 190707-2518	8	24		X	X			X		(5)
10754	To/T112539	B & S 130902-1233	5	22	X					X		(5)(8)
10755	To/T613735	B & S 130907-1233	5	22		X				X		(5)(8)
10756	To/T613735	B & S 130907-1234	5	22		X	X			X		(5)(8)
10757	To/T613735	B & S 190702-2208	8	24		X				X		(5)(8)
10758	To/T613735	B & S 193707-0331	8	24		X	X			X		(5)(8)
11362	T115000/Up	B & S 130902-1233	5	22	X					X		(7)
11363	T115000/Up	B & S 130902-1233	5	22		X				X		(7)
11364	T115000/Up	B & S 130907-1234	5	22		X	X			X		(7)
11365	T615000/Up	B & S 190702-2208	8	24		X				X		(7)
11366	T615000/Up	B & S 190707-0330	8	24		X				X		(7)
11367	T615000/Up	B & S 190702-0330 (1)	8	24		X	X			X		(7)
11368	T615000/Up	B & S 193707-0331 (1)	8	24		X				X		(7)
11369	T615000/Up	B & S 193702-0330 (1)	8	24		X				X		(7)(8)
11370	T615000/Up	B & S 193707-0331 (1)	8	24		X				X		(7)(8)
<b>TRAIL</b>												
<b>BLAZER IV</b>												
5018	To/P118205	B & S 92982-5368	3.5	34		X					X	(6)
10789	To/P118205	B & S 92982-5368	3.5	34		X					X	(6)
10790	To/P118205	B & S 114982-0184 (1)	4	34		X					X	(6)(8)(10)
11307	To/P118205	B & S 114982-0184 (1)	4	38		X					X	(6)(8)(10)
11310	To/P118205	B & S 114982-0184 (1)	4	38		X					X	(6)(8)(10)
<b>TRAIL</b>												
<b>BLAZER V</b>												
5018	P118206/Up	B & S 92928-5368	3.5	34		X					X	(6)(8)
11420	P118206/Up	B & S 114982-0184 (1)	4	38		X					X	(6)(8)
<b>1988</b>												
<b>VACU-CUT</b>												
11300	XXXXXXXX	B & S 110708-0170	4	21		X			X	X		
11301	XXXXXXXX	B & S 110707-3099	4	21		X	X		X	X		
<b>TUFF CUT II</b>												
11362	XXXXXXXX	B & S 130902-1233	5	22	X					X		(7)
11363	XXXXXXXX	B & S 130902-1233	5	22		X				X		(7)
11364	XXXXXXXX	B & S 130907-1234	5	22		X	X			X		(7)
11365	XXXXXXXX	B & S 190702-2208	8	24		X				X		(7)
11366	XXXXXXXX	B & S 190707-2518	8	24		X	X			X		(7)
11367	XXXXXXXX	B & S 193702-0330 (1)	8	24		X				X		(7)
11368	XXXXXXXX	B & S 193707-0331 (1)	8	24		X	X			X		(7)

**WALKING MOWER MODELS AND SPECIFICATIONS (CONT'D)**

SKU/ Model	Serial Number	Engine Model & Type	HP	In. Cut	Push	Self Prop	Elec. Start	Mulch Mower	Compli- ance	Sickle	Side Disch.
<b>1988</b>											
<b>TUFF CUT II</b>											
<b>Cont'd</b>											
11369	XXXXXXXX	B & S 193702-0330 (1)	8	24		X			X		(7)(8)
11370	XXXXXXXX	B & S 193707-0331 (1)	8	24		X	X		X		(7)(8)
<b>TRAIL</b>											
<b>BLAZER V</b>											
5018	To/P127020	B & S 92982-5368	3.5	34		X			X	(6)	
11420	To/P127020	B & S 114982-0184 (1)	4	38		X			X		
<b>TRAIL</b>											
<b>BLAZER VI</b>											
5018	P121281-P129480	B & S 92982-5368	3.5	34		X	X		X	(6)	
11397	P121281-P129480	B & S 114982-0184 (1)	4	38		X	X		X	(6)	
<b>1989</b>											
<b>MULCHING</b>											
<b>MOWER</b>											
8624R	B320100101/Up	B & S 121702-3126 (2)	3.5	20	X			X	X		
8654R	B310100101/Up	B & S 122782-3124 (2)	4	22		X		X	X		
8654RS	B330100101/Up	B & S 122782-3124 (2)	4	22		X		(9)	X		
<b>TUFF CUT II</b>											
11362	XXXXXXXX	B & S 130902-1233	5	22	X				X		(8)
11363	XXXXXXXX	B & S 130902-1233	5	22		X			X		(8)
11364	XXXXXXXX	B & S 130907-1234	5	22		X	X		X		(8)
11365	XXXXXXXX	B & S 190707-2518	8	24		X	X		X		(8)
11366	XXXXXXXX	B & S 190707-2518	8	24		X	X		X		(8)
11367	XXXXXXXX	B & S 193702-0330 (1)	8	24		X			X		(8)
11368	XXXXXXXX	B & S 193707-0331 (1)	8	24		X			X		(8)
11369	XXXXXXXX	B & S 193702-0330 (1)	8	24		X			X		(7)(8)
11370	XXXXXXXX	B & S 193707-0331 (1)	8	24		X	X		X		(7)(8)
<b>TRAIL</b>											
<b>BLAZER VII</b>											
15003/40141	F0000100/Up	B & S 114982-0184 (1)	4	38		X			X	(8)	
15003S/40141	Y0000100/Up	B & S 114982-0184 (1)	4	38		X			X	(8)(9)	
15004/40140	A0000100/UP	B & S 92982-5368	3.5	34		X			X	(8)	
15005/40141	V0000100/Up	B & S 114987-0185 (1)	4	38		X	X		X	(8)	
<b>1990</b>											
<b>MULCHING</b>											
<b>MOWER</b>											
8624R	XXXXXXXX	B & S 121702-3126	3.5	20	X			X	X		
8654R	XXXXXXXX	B & S 122782-3124 (2)	4	22		X		X	X		
8654RS	XXXXXXXX	B & S 122782-3124 (2)	4	22		X		(9)	X		
<b>TUFF CUT II</b>											
11362	XXXXXXXX	B & S 130902-1233	5	22	X				X		(7)
11363	XXXXXXXX	B & S 130902-1233	5	22		X			X		(7)
11364	XXXXXXXX	B & S 130907-1234	5	22		X	X		X		(7)
11365	XXXXXXXX	B & S 190702-2517	8	24		X			X		(7)
11366	XXXXXXXX	B & S 190707-2518	8	24		X	X		X		(7)
11367	XXXXXXXX	B & S 193702-0330 (1)	8	24		X			X		(7)
11368	XXXXXXXX	B & S 193707-0331 (1)	8	24		X	X		X		(7)
11369	XXXXXXXX	B & S 193702-0330 (1)	8	24		X			X		(7)(8)
11370	XXXXXXXX	B & S 193707-0331 (1)	8	24		X	X		X		(7)(8)

**WALKING MOWER MODELS AND SPECIFICATIONS (CONT'D)**

SKU/ Model	Serial Number	Engine Model & Type	HP	In. Cut	Push	Self Prop.	Elec. Start	Mulch Mower	Compli- ance	Sickle	Side Disch.
<b>1990</b>											
<b><u>Cont'd</u></b>											
<b><u>TRAIL</u></b>											
<b><u>BLAZER VII</u></b>											
15003	XXXXXXX	B & S 114987-0185 (1)	4	38		X			X	(7)	
15003S	XXXXXXX	B & S 114987-0185 (1)	4	38		X			X	(7)(9)	
15004	XXXXXXX	B & S 92982-5368	3.5	34		X			X	(7)	
15005	XXXXXXX	B & S 114987-0185 (1)	4	38		X	X		X	(7)	
<b>1991</b>											
<b><u>MULCHING</u></b>											
<b><u>MOWER</u></b>											
8628R	B420100101/Up	B & S 122702-3126 (2)	4	20	X			X	X		
8628RS	B430100101/Up	B & S 122702-3126 (2)	4	20	X			X	(9)		
8654R	B310200101/Up	B & S 122782-3124 (2)	4	22		X		X	X		
8654RS	B430200101/Up	B & S 122782-3124 (2)	4	22		X		X	(9)		
8655R	B440100101/Up	B & S 124782-3130 (2)	5	22		X		X	X		
8655RS	B450100101/Up	B & S 124782-3130 (2)	5	22		X		X	(9)		
8656R	B460100101/Up	B & S 124787-3131 (2)	5	22		X	X	X	X		
8656RS	B470100101/Up	B & S 124787-3131 (2)	5	22		X	X	X	(9)		
<b><u>TUFF CUT II</u></b>											
11363	XXXXXXX	B & S 130902-1233	5	22		X			X		(7)
11364	XXXXXXX	B & S 130907-1234	5	22		X	X		X		(7)
11367	XXXXXXX	B & S 193702-0330 (1)	8	24		X			X		(7)
11368	XXXXXXX	B & S 193707-0331 (1)	8	24		X	X		X		(7)
11369	XXXXXXX	B & S 193702-0330 (1)	8	24		X			X		(7)(8)
11370	XXXXXXX	B & S 193707-0331 (1)	8	24		X	X		X		(7)(8)
<b><u>TRAIL</u></b>											
<b><u>BLAZER VII</u></b>											
15003	To/A0010408	B & S 114982-0184 (1)	4	38		X			X	(7)	
15003S	To/Y002346	B & S 114982-0184 (1)	4	38		X			X	(7)(9)	
15004	To/F0001825	B & S 96582-0110	3.5	34		X			X	(7)	
15005	To/V0004872	B & S 114987-0185 (1)	4	38		X	X		X	(7)	
34302	F0000100/Up	B & S 96582-0110	3.5	34		X			X	(7)	
34303	A0000100/Up	B & S 114982-0184 (1)	4	38		X			X	(7)	
34304	V0000100/Up	B & S 114982-0184 (1)	4	38		X			X	(7)(9)	
34305	Y0000100/Up	B & S 114987-0185 (1)	4	38		X	X		X	(7)	
<b>1992</b>											
<b><u>MULCHING</u></b>											
<b><u>MOWER</u></b>											
8628R	B420200101/Up	B & S 122702-3126 (2)	4	20	X			X	X		
8628RS	B430200101/Up	B & S 122702-3126 (2)	4	20	X			X	(9)		
8654R	340140300101/Up	B & S 122782-3124 (2)	4	22		X		X	X		
8654RS	340180300101/Up	B & S 122782-3124 (2)	4	22		X		X	(9)		
8655R	B440300101/Up	B & S 124782-3130 (2)	5	22		X		X	X		
8655RS	B450300101/Up	B & S 124782-3130 (2)	5	22		X		X	(9)		
8656R	B460300101/Up	B & S 124787-3131 (2)	5	22		X	X	X	X		
8656RS	B470300101/Up	B & S 124787-3131 (2)	5	22		X	X	X	(9)		
34007	B610100101/Up	Tec OVRM-50-52620B	5.5	20			X	X	X		
<b><u>TUFF CUT II</u></b>											
11363	XXXXXXX	B & S 130902-1233	5	22		X			X		(7)
11364	XXXXXXX	B & S 130907-1234	5	22		X	X		X		(7)



## WALKING MOWER MODELS AND SPECIFICATIONS (CONT'D)

SKU/ Model	Serial Number	Engine Model & Type	HP	In. Cut	Push	Self Prop	Elec. Start	Mulch Mower	Compli- ance	Sickle	Side Disch.
<b>1992</b>											
<b>TUFF CUT II</b>											
<b>Cont'd</b>											
11367	XXXXXXXX	B & S 193702-0330 (1)	8	24		X			X		(7)
11368	XXXXXXXX	B & S 193707-0331 (1)	8	24		X	X		X		(7)
11369	XXXXXXXX	B & S 193702-0330 (1)	8	24		X			X		(7) (8)
11370	XXXXXXXX	B & S 193707-0331 (1)	8	24		X	X		X		(7) (8)
<b>TRAIL</b>											
<b>BLAZER VIII</b>											
34307	343070100101/Up	B & S 96582-0110	3.5	34		X			X	(7)	
34308	343080100101/Up	B & S 114982-0184 (1)	4	38		X			X	(7)	
34309	343090100101/Up	B & S 114987-0185 (1)	4	38		X	X		X	(7)	
<b>1993</b>											
<b>MULCHING MOWER</b>											
8628R	8628R0100101/Up	B & S 122702-3126 (2)	4	20	X			X	X		
8628RS	8628RS0100101/Up	B & S 122702-3126 (2)	4	20	X			X	(9)		
8654R	8654R0100101/Up	B & S 122782-3124 (2)	4	22		X		X	X		
8654RS	8654RS0100101/Up	B & S 122782-3124 (2)	4	22		X		X	(9)		
8655R	8655R0100101/Up	B & S 124782-3130 (2)	5	22		X		X	X		
8655RS	8655RS0100101/Up	B & S 124782-3130 (2)	5	22		X		X	(9)		
8656R	8656R0100101/Up	B & S 124787-3131 (2)	5	22		X	X	X	X		
8656RS	8656RS0100101/Up	B & S 124787-3131 (2)	5	22		X	X	X	(9)		
34007	340070100101/Up	Tec OVRM-50-52620B	5.5	22				X	X		
<b>TUFF CUT II</b>											
11363	XXXXXXXX	B & S 130902-1233	5	22		X			X		(7)
11364	XXXXXXXX	B & S 130907-1234	5	22		X	X		X		(7)
11367	XXXXXXXX	B & S 193702-0330 (1)	8	24		X			X		(7)
11368	XXXXXXXX	B & S 193707-0331 (1)	8	24		X	X		X		(7)
11369	XXXXXXXX	B & S 193702-0330 (1)	8	24		X			X		(7) (8)
11370	XXXXXXXX	B & S 193707-0331 (1)	8	24		X	X		X		(7) (8)
<b>TRAIL</b>											
<b>BLAZER VIII</b>											
34307	XXXXXXXX	B & S 96582-0110	3.5	34		X			X	(7)	
34308	XXXXXXXX	B & S 114982-0184 (1)	4	38		X			X	(7)	
34309	XXXXXXXX	B & S 114987-0185 (1)	4	38		X	X		X	(7)	

1 - I.C Engine    2 - Quantum    3 - 5 Blade    4 - 7 Blade    5 - Gilson Mfr.    6 - PBL Mfr.    7 - Troy Mfr.  
 8 - Canada    9 - Sears    10 - Deluxe    11 - Production Started in 1984

## WALKING MOWER ATTACHMENT INTERCHANGEABILITY\*

Description	SKU/ Accessory No.	Mower Model				Remarks	
		Mulching Mower	Vacu Cut	Tuff Cut	Trail Blazer		
<b>Blade Kit</b>	20"	1761695	X			Blade, hub & hdwe.	
	21"	1752039		X		Blade, hub & hdwe.	
	22"	1759335	X			Blade, hub & hdwe.	
	22"	T49943			X	Blade only	
	24"	T49944			X	Blade only	
	34"	P406663				X	Blade only
	38"	P406666				X	Blade only
	P406732				X	Blade Maint. Kit	
<b>Eng. Service Pkg.</b>	3.5HP	11615				X	Spark plug & air filter
	4HP	11540				X	Spark plug & air filter
	5.5HP	1763807	X				
	20"	1761696	X				Spark plug & air filter
	22"	1759336	X				Belt, spark plug & air filter
	22"	10972			X		Spark plug & air filter
	24"	10973			X		Spark plug & air filter
	1901476				X		
<b>Side Discharge Kit</b>	6911		X				Chute for grass discharge
	6913	X					Chute for grass discharge
<b>Side Grass Bag Kit</b>	6809	X					Chute, bag & hdwe.
<b>Wheel Kit</b>	10759			X			Front Swivel

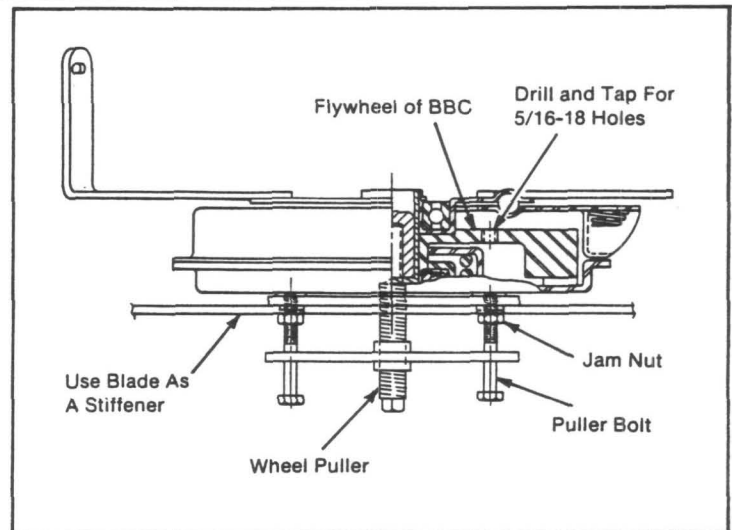
\*NOTE: Check Accessory or Sales Price List for availability.

### VACU-CUT BLADE BRAKE CLUTCH REMOVAL

1. Disconnect return spring and control cable on engagement arm of clutch.
2. Remove (3) nuts securing brake plate to mower base.
3. Remove blade, (2) 5/16" bolts and spacer.
4. Remove center hex head bolt, lock washer and flat washer, that secures BBC to engine crankshaft.
5. Obtain a 5/8"-11 cap screw. Turn into threaded portion of BBC off of engine crankshaft.

#### **ALTERNATIVE METHOD IF 5/8-11 THREADS STRIP OUT.**

1. Disconnect return spring control cable on engagement arm of clutch.
2. Remove (3) nuts securing brake plate to mower base.
3. Remove blade, (2) 5/16" bolts and spacer plate.
4. Remove center hex head bolt, lock washer and flat washer that secures BBC to engine crankshaft.
5. Obtain harmonic balance or bolt type puller, (2) 5/16" x 2-1/2" bolts, and (2) 5/16" jam nuts.
6. Reinstall center hex head capscrew without washers.
7. Reinstall blade with longer puller bolts & jam nuts.



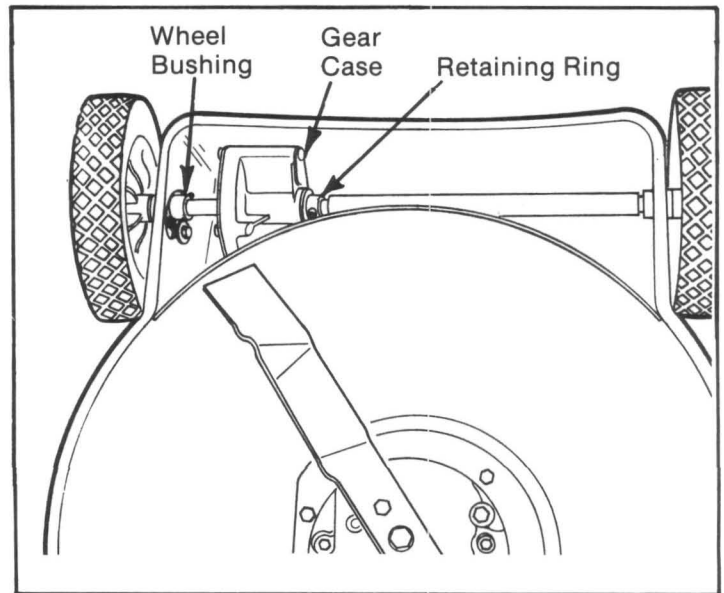
8. Use puller to remove outside half of BBC
9. Drill and tap 5/16" thread into flywheel half of BBC unit, still on mower.
10. Secure puller to newly tapped holes, pull the rest of the BBC unit off of engine crankshaft.

**NOTE: Before reinstalling BBC units, apply NEVER-SEEZ to engine crankshaft.**

## MULCHING MOWER GEAR CASE REMOVAL

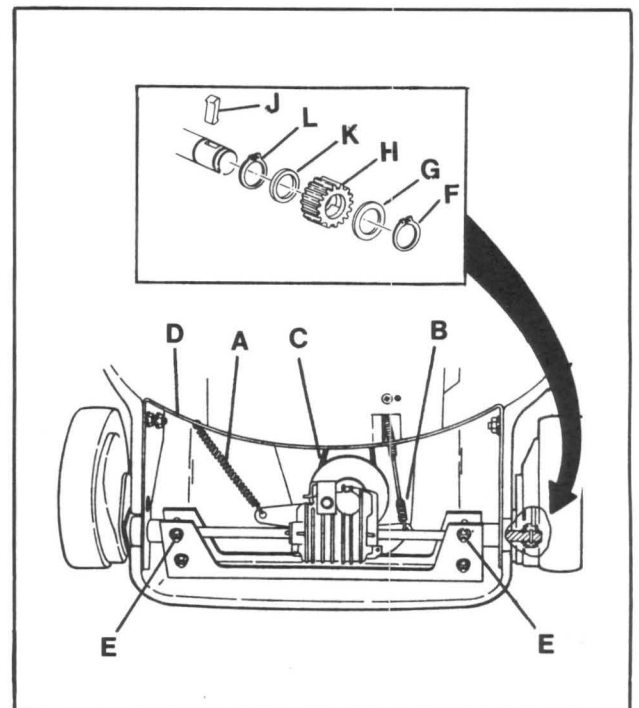
### DISASSEMBLY

1. Remove belt guard over drive belt.
  2. Remove drive belt from engine.
  3. Remove front wheels from axle.
  4. Slide the two front axle bushings off.
  5. Remove retaining ring from the front axle.
  6. Axle can now be removed.
- Note** - Due to the age of your unit, it may be necessary to force the axle through the gear case.
7. Before assembling gear case to mower, clean front axle.



## VACU-CUT MOWER GEAR CASE REMOVAL

1. Drain oil and gas.
2. Remove rear belt cover on top of mower.
3. Tip unit upside down on a flat surface.
4. Remove both rear wheel shoulder bolts, wheels and covers.
5. Remove gear case spring (A) to baffle.
6. Remove gear case spring (B) to cable.
7. Remove V-belt (C) from sheave.
8. Remove rear baffle (D), (4) screws and nuts.
9. Disassemble gear case mounting bracket from top side of mower base by removing the 1/4" screw and nut.
10. Remove carriage bolts and nuts (E) from outside holes of axle channel.
11. Disconnect front to rear leveling arm at rear wheel.
12. Slide out gear case.
13. Disassemble drive gears by removing retaining ring (F), flat washer (G), drive gear (H), gear dog (J), large washer (K) and retaining ring (L).



## MULCHING MOWER BELT REPLACEMENT

### To Remove the Belt:

1. Turn the mower's cutting height adjustment handle (A, Fig. 1) clockwise all the way. The cutting height should now be in its highest position.
2. Remove the belt cover assembly (B, Fig. 3) from the mower by removing the two screws that secure it in place.
3. Remove the gear case cover from the left-hand side of the gear case (C, Fig. 2) by removing the four screws that secure it in place.
4. On models so equipped, use pliers to gently pull the torsion spring (D, Fig. 2) off its mounting post. Grasp the straight leg of the spring (not the coils) when pulling it out.
5. Move the rear end of the belt off the engine pulley.
6. Move the forward end of the belt off the pulleys (E, F, G Fig. 2) in the gear case.

### To Install the Belt:

1. Place the belt onto the engine driven pulley.
2. Place the belt under the wheel pulley (G, Fig. 2).
3. Work the belt over the stationary pulley (F, Fig. 2).
4. Push the idler pulley (E, Fig. 2) down and place the belt over this pulley. NOTE: If you find the idler pulley difficult to push down, you can use a screwdriver to depress it.
5. On models so equipped, place the torsion spring (D, Fig. 2) on its mounting post. Then place the hooked end of the spring through the hole in the idler arm. Finally, use pliers to work the straight leg of the spring

into place against the inside forward wall of the gear case housing.

6. Reinstall the gear case cover on the gear case (C, Fig. 2).
7. Reinstall the belt cover assembly (B, Fig. 3) on the mower.
8. Readjust the mower's cutting height to the desired height.
9. Reconnect the spark plug wire to the spark plug.

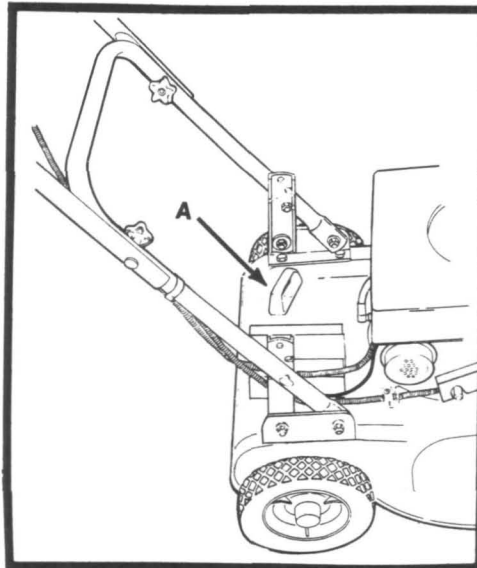


Figure 1

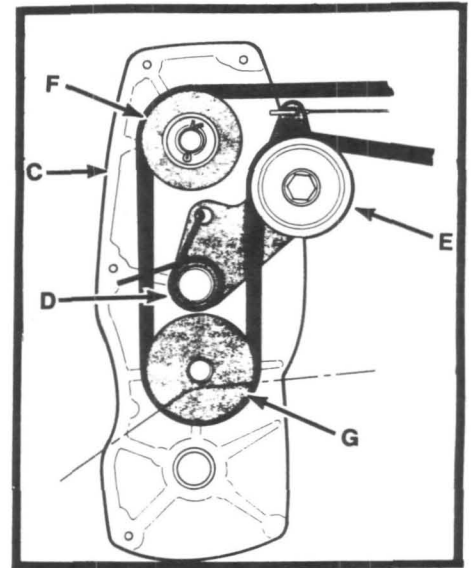


Figure 2

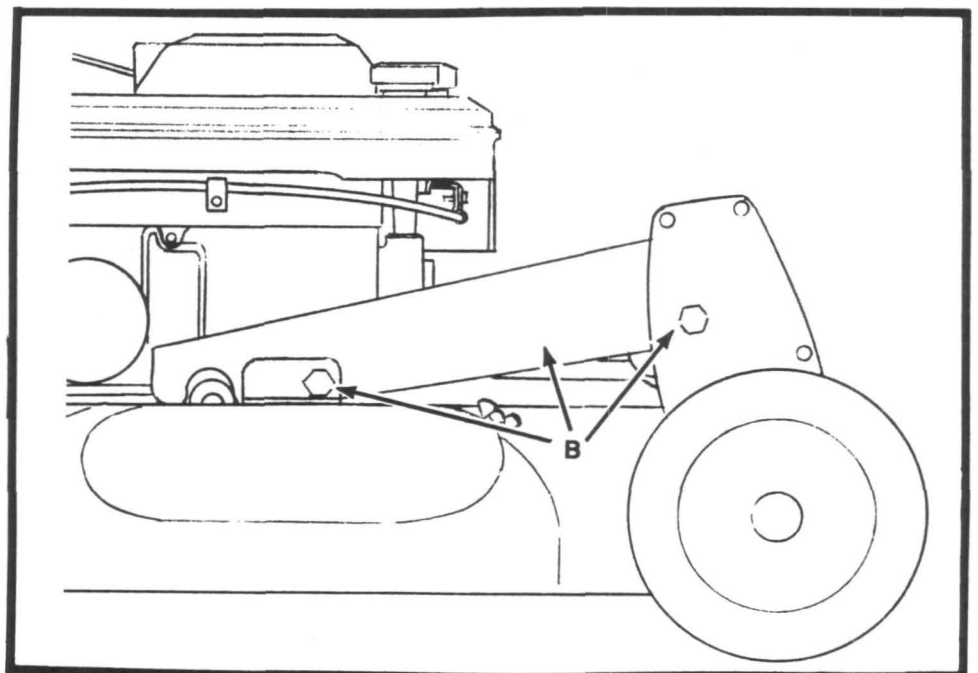


Figure 3

## SAFETY SPECIFICATIONS FOR POWER LAWN MOWERS

The United States of America Standards Institute, (formerly American Standards Association), has issued the following Safety Standard. This standard (B71.16-1977, paragraph 10.3) specifies that "the maximum tip speed of any blade should be 19,000 feet per minute". Since blade tip speed is a function of engine R.P.M., lower tip speeds usually require lower engine speeds. The chart below lists various lengths of rotary lawnmower cutter blades, and the maximum blade rotational speeds, which will produce blade tip speeds of 19,000 feet per minute.

<u>Blade Length</u>	<u>Maximum Rotational R.P.M.</u>	<u>Blade Length</u>	<u>Maximum Rotational R.P.M.</u>
18"	4032	23"	3155
19"	3820	24"	3024
20"	3629	25"	2903
21"	3456	26"	2791
22"	3299		

For engine protection, top governed speed should never exceed 4000 R.P.M.

To check top governed speed on rotary lawnmowers with blade connected directly to crankshaft:

1. Measure length of cutter blade (diagonally across cutting corners).
2. Set governor control in FAST position. Adjust carburetor mixture to obtain maximum engine R.P.M.
3. Check engine speed with a tachometer. Allow the engine to reach normal operating temperature before measuring speed. To account for tolerances, which may be required by tachometer manufacturers, top governed speed of the engine should be adjusted at least 200 R.P.M. lower than the maximum speeds shown.
4. Top governed speed of the engine should not exceed speed shown, when engine is operated on a completely assembled mower.
5. If top governed speed does exceed the speed shown, the governor spring should be changed, or the top speed limit device should be adjusted.
6. If a governor spring must be replaced, consult the appropriate Illustrated Parts List. Choose the proper governor spring by engine type number. After a new governor spring is installed, check engine top governed speed with a tachometer.

To check blade tip speed on rotary lawnmowers with blades not directly connected to crankshaft.

On some rotary lawnmowers, the cutter blade shaft is driven through the use of a belt and pulleys, or a gear box, and may not rotate at the same speed as the engine. On such equipment, blade tip speed may be determined in either of the following methods:

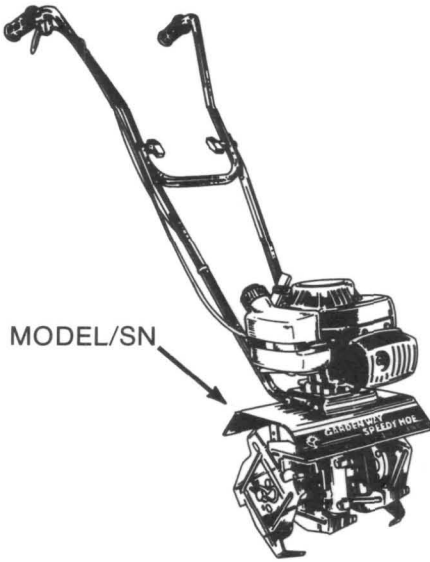
**METHOD 1:** If the upper end of the cutter blade shaft extends through the top side of the mower deck, a mechanical tachometer can be used to check maximum rotational R.P.M. of the blade shaft.

**METHOD 2:** Measure the diameter of pulley on engine crankshaft and pulley on cutter blade shaft. Use ratio of pulley diameters to determine the blade shaft R.P.M. at top governed speed of engine. If necessary, adjust top governed speed limit of engine to keep blade shaft R.P.M. below suggested maximum rotational R.P.M.

If a Service Replacement Engine is used, check the top governed speed with a tachometer with the engine operating on a completely assembled mower, to be sure the blade tip speed will not exceed 19,000 feet per minute. If necessary, change the governor spring or adjust the top speed limit device.

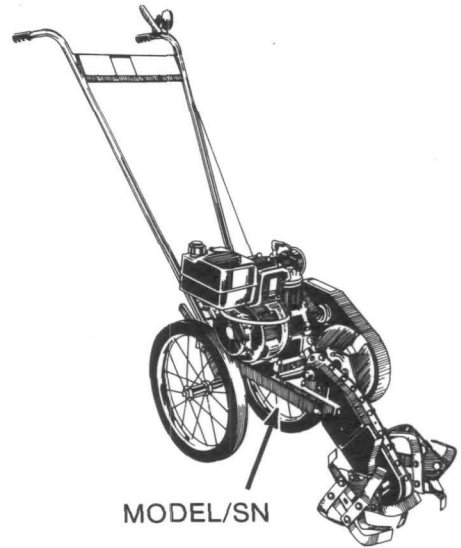
# ROTARY TILLER IDENTIFICATION

## SPEEDY HOE®/MINI TILLER



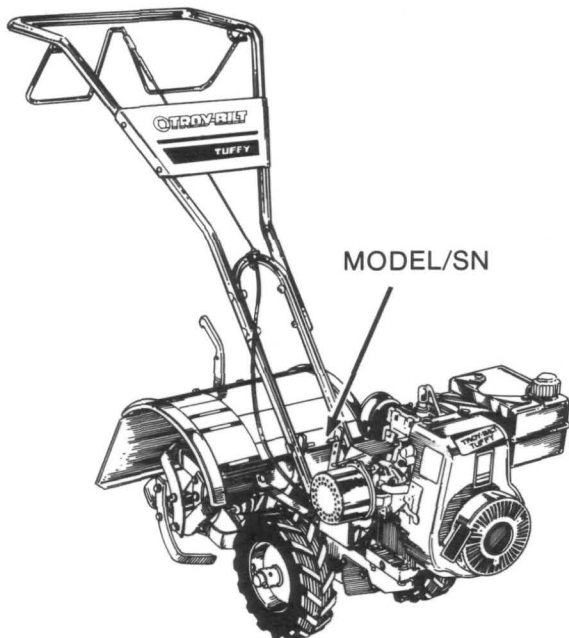
(Attachments - Page 26)

## ROTO-ETTE/ CULTIVATOR PLUS®



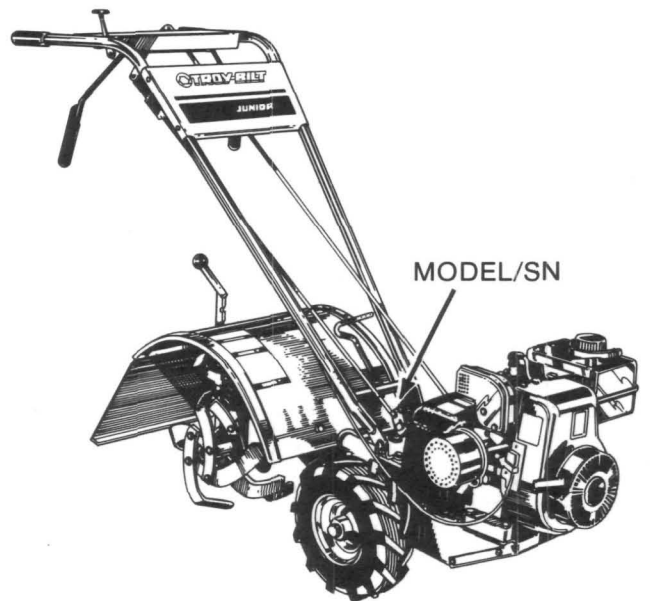
(Attachments - Page 26)

## TUFFY®



(Attachments - Page 26)

## JUNIOR®

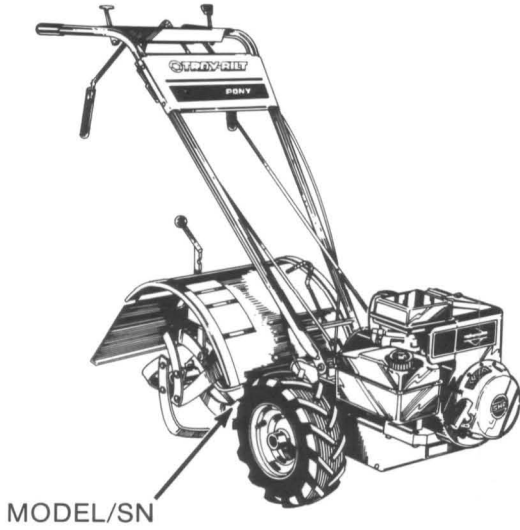


(Attachments - Page 26)

## ROTARY TILLER IDENTIFICATION (CONT'D)

### PONY®

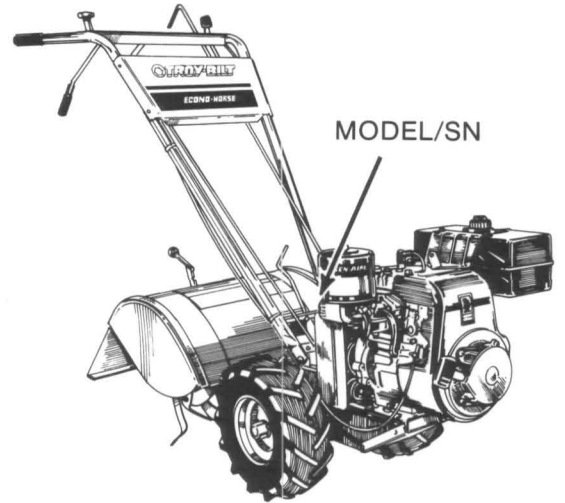
---



(Attachments - Page 26)

### ECONO-HORSE®

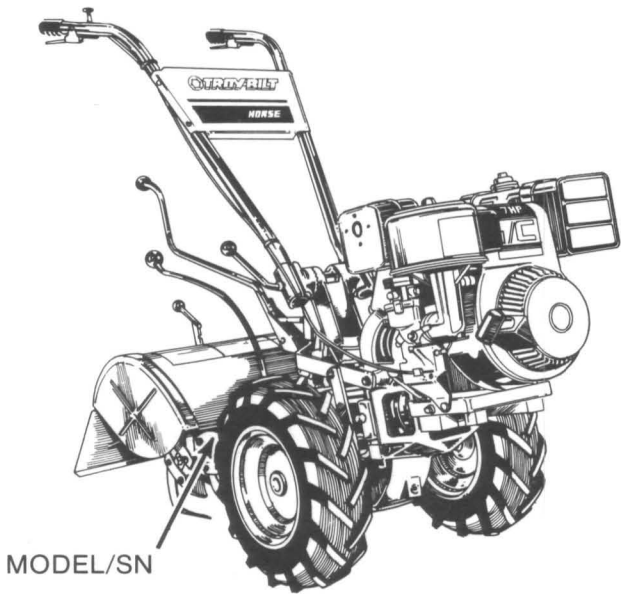
---



(Attachments - Page 26)

### Standard HORSE®

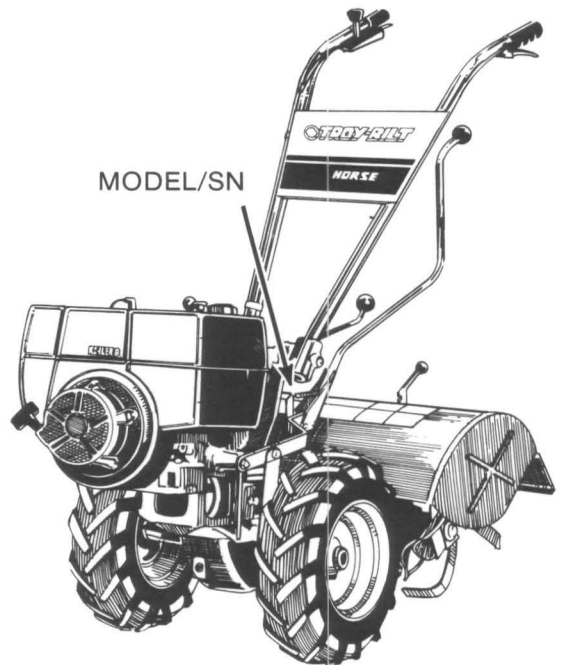
---



(Attachments - Page 26)

### Professional HORSE®

---



(Attachments - Page 26)

## ROTARY TILLER MODELS AND SPECIFICATIONS

SKU/ Model	Serial Number	Engine Model & Type	HP	Till Width	Remarks
<b><u>1962-1967</u></b>					
<b><u>HORSE I</u></b>					
N/A	1001 - 2730	CL 498-0301-280	4.5	20"	2 Spd/2 Belt & Reverse
N/A	1001 - 2730	Tec HH60-105115H	6	20"	2 Spd/2 Belt & Reverse
N/A	1001 - 2730	Koh K161T-281293	7	20"	2 Spd/2 Belt & Reverse (5)
N/A	1001 - 2730	B & S 195432-0149	8	20"	2 Spd/2 Belt & Reverse
<b><u>1967-1976</u></b>					
<b><u>HORSE I</u></b>					
N/A	2731	CL 498-0301-280	4.5	20"	2 Spd/2 Belt & Reverse
N/A	2731	Tec HH60-105115H	6	20"	2 Spd/2 Belt & Reverse
N/A	2731	Koh K161T-281293	7	20"	2 Spd/2 Belt & Reverse
N/A	2731	B & S 195432-0149	8	20"	2 Spd/2 Belt & Reverse
<b><u>PONY I (1976)</u></b>					
N/A	P1001 - P12183	B & S 100292-0521	4	14.5"	
20458	P1001 - P12183	B & S 130297-0782 (1)	5	14.5"	
20459	P1001 - P12183	B & S 130292-0793	5	14.5"	
20460	P1001 - P12183	B & S 130297-0782 (1)	5	14.5"	
20461	P1001 - P12183	B & S 130292-0793	5	14.5"	
20462	P1001 - P12183	B & S 130292-0793	5	14.5"	
20463	P1001 - P12183	B & S 130297-0782 (1)	5	14.5"	
<b><u>1977</u></b>					
<b><u>PONY I</u></b>					
N/A	P12184 - P21735	B & S 100292-0521	4	14.5"	
20458	P12184 - P21735	B & S 130297-0782 (1)	5	14.5"	
20459	P12184 - P21735	B & S 130292-0793	5	14.5"	
20460	P12184 - P21735	B & S 130297-0782 (1)	5	14.5"	
20461	P12184 - P21735	B & S 130292-0793	5	14.5"	
20462	P12184 - P21735	B & S 130292-0793	5	14.5"	
20463	P12184 - P21735	B & S 130297-0782 (1)	5	14.5"	
<b><u>HORSE I</u></b>					
N/A	254202 - 299725	CI 498-0301-280	4.5	20"	2 Spd/2 Belt & Reverse
N/A	254202 - 299725	Tec HH60-105115H	6	20"	2 Spd/2 Belt & Reverse
N/A	254202 - 299725	Koh K161T-281293	7	20"	2 Spd/2 Belt & Reverse
N/A	254202 - 299725	B & S 195432-0149	8	20"	2 Spd/2 Belt & Reverse
<b><u>1978</u></b>					
<b><u>PONY I</u></b>					
20458	P21736 - P33556	B & S 130297-0782 (1)	5	14.5"	
20459	P21736 - P33556	B & S 130292-0793	5	14.5"	
20460	P21736 - P33556	B & S 130297-0782 (1)	5	14.5"	
20461	P21736 - P33556	B & S 130292-0793	5	14.5"	
20462	P21736 - P33556	B & S 130292-0793	5	14.5"	
20463	P21736 - P33556	B & S 130297-0782 (1)	5	14.5"	
<b><u>HORSE I</u></b>					
N/A	299726 - 315295	CL 498-0301-280	4.5	20"	2 Spd/2 Belt & Reverse
N/A	299726 - 315295	Tec HH60-105115H	6	20"	2 Spd/2 Belt & Reverse
N/A	299726 - 315295	Koh K161T-281293	7	20"	2 Spd/2 Belt & Reverse
N/A	299726 - 315295	B & S 195432-0149	8	20"	2 Spd/2 Belt & Reverse
<b><u>HORSE II</u></b>					
1648	314152 - 368621	B & S 195437-0150 (1)	8	20"	4 Spd - Reverse
1649	314152 - 368621	B & S 195432-0149	8	20"	4 Spd - Reverse
1650	314152 - 368621	Koh K161T-281293	7	20"	4 Spd - Reverse
1651	314152 - 368621	Tec HH60-105126J (1)	6	20"	4 Spd - Reverse



**ROTARY TILLER MODELS AND SPECIFICATIONS (CONT'D)**

SKU/ Model	Serial Number	Engine Model & Type	HP	Till Width	Remarks
<b>1978</b>					
<b><u>HORSE II</u></b>					
<b><u>Cont'd</u></b>					
1652	314152 - 368621	Tec HH60-105126J (1)	6	20"	4 Spd - Reverse
1653	314152 - 368621	Tec HH60-105127J	6	20"	4 Spd - Reverse
1654	314152 - 368621	Tec HH60-105127J	6	20"	4 Spd - Reverse
1655	314152 - 368621	B & S 195437-0150 (1)	8	20"	4 Spd - Reverse
1656	314152 - 368621	B & S 195432-0149	8	20"	4 Spd - Reverse
1657	314152 - 368621	Koh K161T-281293	7	20"	4 Spd - Reverse
1658	314152 - 368621	Tec HH60-105126J (1)	6	20"	4 Spd - Reverse
1659	314152 - 368621	Tec HH60-105126J (1)	6	20"	4 Spd - Reverse
1660	314152 - 368621	Tec HH60-105127J	6	20"	4 Spd - Reverse
1661	314152 - 368621	Tec HH60-105127J	6	20"	4 Spd - Reverse
1663	314152 - 368621	Tec HH60-105127J	6	20"	4 Spd - Reverse
1664	314152 - 368621	Tec HH60-105127J	6	20"	4 Spd - Reverse
1665	314152 - 368621	Tec HH60-105126J (1)	6	20"	4 Spd - Reverse
1666	314152 - 368621	Tec HH60-105126J (1)	6	20"	4 Spd - Reverse
1667	314152 - 368621	Koh K161T-281293	7	20"	4 Spd - Reverse
<b>1979</b>					
<b><u>PONY I</u></b>					
20458	P33557 - P48772	B & S 130297-0782 (1)	5	14.5"	
20459	P33557 - P48772	B & S 130292-0793	5	14.5"	
20460	P33557 - P48772	B & S 130297-0782 (1)	5	14.5"	
20461	P33557 - P48772	B & S 130292-0793	5	14.5"	
20462	P33557 - P48772	B & S 130292-0793	5	14.5"	
20463	P33557 - P48772	B & S 130297-0782 (1)	5	14.5"	
<b><u>HORSE II</u></b>					
1648	368622 - 439736	B & S 195437-0150 (1)	8	20"	4 Spd - Reverse
1649	368622 - 439736	B & S 195432-0149	8	20"	4 Spd - Reverse
1650	368622 - 439736	Koh K161T-281293	7	20"	4 Spd - Reverse
1651	368622 - 439736	Tec HH60-105126J (1)	6	20"	4 Spd - Reverse
1652	368622 - 439736	Tec HH60-105126J (1)	6	20"	4 Spd - Reverse
1653	368622 - 439736	Tec HH60-105127J	6	20"	4 Spd - Reverse
1654	368622 - 439736	Tec HH60-105127J	6	20"	4 Spd - Reverse
1655	368622 - 439736	B & S 195437-0150 (1)	8	20"	4 Spd - Reverse
1656	368622 - 439736	B & S 195432-0149	8	20"	4 Spd - Reverse
1657	368622 - 439736	Koh K161T-281293	7	20"	4 Spd - Reverse
1658	368622 - 439736	Tec HH60-105126J (1)	6	20"	4 Spd - Reverse
1659	368622 - 439736	Tec HH60-105126J (1)	6	20"	4 Spd - Reverse
1660	368622 - 439736	Tec HH60-105127J	6	20"	4 Spd - Reverse
1661	368622 - 439736	Tec HH60-105127J	6	20"	4 Spd - Reverse
1663	368622 - 439736	Tec HH60-105127J	6	20"	4 Spd - Reverse
1664	368622 - 439736	Tec HH60-105127J	6	20"	4 Spd - Reverse
1665	368622 - 439736	Tec HH60-105126J (1)	6	20"	4 Spd - Reverse
1666	368622 - 439736	Tec HH60-105126J (1)	6	20"	4 Spd - Reverse
1667	368622 - 439736	Koh K161T-281293	7	20"	4 Spd - Reverse
1668	368622 - 439736	B & S 195432-0149	8	20"	4 Spd - Reverse
1669	368622 - 439736	B & S 195437-0150 (1)	8	20"	4 Spd - Reverse
<b>1980</b>					
<b><u>PONY I</u></b>					
20458	P48773 - P68033	B & S 130297-0782 (1)	5	14.5"	
20459	P48773 - P68033	B & S 130292-0793	5	14.5"	

## ROTARY TILLER MODELS AND SPECIFICATIONS (CONT'D)

SKU/ Model	Serial Number	Engine Model & Type	HP	Till Width	Remarks
<b>1980</b>					
<b>PONY I Cont'd</b>					
20460	P48773 - P68033	B & S 130297-0782 (1)	5	14.5"	
20461	P48773 - P68033	B & S 130292-0793	5	14.5"	
20462	P48773 - P68033	B & S 130292-0793	5	14.5"	
20463	P48773 - P68033	B & S 130297-0782 (1)	5	14.5"	
<b>HORSE II</b>					
1648	435849 - 518348	B & S 195437-0150 (1)	8	20"	4 Spd - Reverse
1649	435849 - 518348	B & S 195432-0149	8	20"	4 Spd - Reverse
1650	435849 - 518348	Koh K161T-281293	7	20"	4 Spd - Reverse
1651	435849 - 518348	Tec HH60-105126J (1)	6	20"	4 Spd - Reverse
1652	435849 - 518348	Tec HH60-105126J (1)	6	20"	4 Spd - Reverse
1653	435849 - 518348	Tec HH60-105127J	6	20"	4 Spd - Reverse
1654	435849 - 518348	Tec HH60-105127J	6	20"	4 Spd - Reverse
1655	435849 - 518348	B & S 195437-0150 (1)	8	20"	4 Spd - Reverse
1656	435849 - 518348	B & S 195432-0149	8	20"	4 Spd - Reverse
1657	435849 - 518348	Koh K161T-281293	7	20"	4 Spd - Reverse
1658	435849 - 518348	Tec HH60-105126J (1)	6	20"	4 Spd - Reverse
1659	435849 - 518348	Tec HH60-105126J (1)	6	20"	4 Spd - Reverse
1660	435849 - 518348	Tec HH60-105127J	6	20"	4 Spd - Reverse
1661	435849 - 518348	Tec HH60-105127J	6	20"	4 Spd - Reverse
1663	435849 - 518348	Tec HH60-105127J	6	20"	4 Spd - Reverse
1664	435849 - 518348	Tec HH60-105127J	6	20"	4 Spd - Reverse
1665	435849 - 518348	Tec HH60-105126J (1)	6	20"	4 Spd - Reverse
1666	435849 - 518348	Tec HH60-105126J (1)	6	20"	4 Spd - Reverse
1667	435849 - 518348	Koh K161T-281293	7	20"	4 Spd - Reverse
1668	435849 - 518348	B & S 195432-0149	8	20"	4 Spd - Reverse
1669	435849 - 518348	B & S 195437-0150 (1)	8	20"	4 Spd - Reverse
<b>1981</b>					
<b>PONY Jr.</b>					
50000	M1001 - M1273	Tec H35-45593R	3.5	14.5"	Reverse Disc
<b>PONY I</b>					
20458	P68034 - P88131	B & S 130297-0782 (1)	5	14.5"	
20459	P68034 - P88131	B & S 130292-0793	5	14.5"	
20460	P68034 - P88131	B & S 130297-0782 (1)	5	14.5"	
20461	P68034 - P88131	B & S 130292-0793	5	14.5"	
20462	P68034 - P88131	B & S 130292-0793	5	14.5"	
20463	P68034 - P88131	B & S 130297-0782 (1)	5	14.5"	
<b>SUPER PONY</b>					
20558	P80157 - P80408	B & S 130292-0793	5	16"	
20559	P80157 - P80408	B & S 130297-0782 (1)	5	16"	
<b>PONY II</b>					
20570	P88132 - P89465	B & S 130292-0793	5	16"	
20571	P88132 - P89465	B & S 130297-0782 (1)	5	16"	
20573	P88132 - P89465	B & S 130292-0793	5	16"	
20574	P88132 - P89465	B & S 130297-0782 (1)	5	16"	
<b>HORSE II</b>					
1648	511382 - 590135	B & S 195437-0150 (1)	8	20"	4 Spd - Reverse
1649	511382 - 590135	B & S 195432-0149	8	20"	4 Spd - Reverse
1650	511382 - 590135	Koh K161T-281293	7	20"	4 Spd - Reverse
1651	511382 - 590135	Tec HH60-105126J (1)	6	20"	4 Spd - Reverse
1652	511382 - 590135	Tec HH60-105126J (1)	6	20"	4 Spd - Reverse

**ROTARY TILLER MODELS AND SPECIFICATIONS (CONT'D)**

SKU/ Model	Serial Number	Engine Model & Type	HP	Till Width	Remarks
<b>1981</b>					
<b>HORSE II Cont'd</b>					
1653	511382 - 590135	Tec HH60-105127J	6	20"	4 Spd - Reverse
1654	511382 - 590135	Tec HH60-105127J	6	20"	4 Spd - Reverse
1655	511382 - 590135	B & S 195437-0150 (1)	8	20"	4 Spd - Reverse
1656	511382 - 590135	B & S 195432-0149	8	20"	4 Spd - Reverse
1657	511382 - 590135	Koh K161T-281293	7	20"	4 Spd - Reverse
1658	511382 - 590135	Tec HH60-105126J (1)	6	20"	4 Spd - Reverse
1659	511382 - 590135	Tec HH60-105126J (1)	6	20"	4 Spd - Reverse
1660	511382 - 590135	Tec HH60-105127J	6	20"	4 Spd - Reverse
1661	511382 - 590135	Tec HH60-105127J	6	20"	4 Spd - Reverse
1663	511382 - 590135	Tec HH60-105127J	6	20"	4 Spd - Reverse
1664	511382 - 590135	Tec HH60-105127J	6	20"	4 Spd - Reverse
1665	511382 - 590135	Tec HH60-105126J (1)	6	20"	4 Spd - Reverse
1666	511382 - 590135	Tec HH60-105126J (1)	6	20"	4 Spd - Reverse
1667	511382 - 590135	Koh K161T-281293	7	20"	4 Spd - Reverse
1668	511382 - 590135	B & S 195432-0149	8	20"	4 Spd - Reverse
1669	511382 - 590135	B & S 195437-0150 (1)	8	20"	4 Spd - Reverse
<b>1982</b>					
<b>JUNIOR I</b>					
50126/50127	M1274 - M8203	Tec H35-45593R	3.5	14.5"	Reverse Disc
<b>JUNIOR II</b>					
501272/50173	M8204 - M17011	Tec H35-45593R	3.5	14.5"	Reverse
50204	M8204 - M17011	Tec H35-45606S (1)	3.5	14.5"	Reverse
<b>PONY II</b>					
20570	P89466 - P95831	B & S 130292-0793	5	16"	
20571	P89466 - P95831	B & S 130297-0782 (1)	5	16"	
20573	P89466 - P95831	B & S 130292-0793	5	16"	
20574	P89466 - P95831	B & S 130297-0782 (1)	5	16"	
<b>PONY III</b>					
20594/20595	S101751 - S117138	B & S 130292-0900	5	16"	
20596/20597	S101751 - S117138	B & S 130297-0901 (1)	5	16"	
<b>HORSE II</b>					
1648	584798 - 639999	B & S 195437-0150 (1)	8	20"	4 Spd - Reverse
1649	584798 - 639999	B & S 195432-0149	8	20"	4 Spd - Reverse
1650	584798 - 639999	Koh K161T-281293	7	20"	4 Spd - Reverse
1651	584798 - 639999	Tec HH60-105126J (1)	6	20"	4 Spd - Reverse
1652	584798 - 639999	Tec HH60-105126J (1)	6	20"	4 Spd - Reverse
1653	584798 - 639999	Tec HH60-105127J	6	20"	4 Spd - Reverse
1654	584798 - 639999	Tec HH60-105127J	6	20"	4 Spd - Reverse
1655	584798 - 639999	B & S 195437-0150 (1)	8	20"	4 Spd - Reverse
1656	584798 - 639999	B & S 195432-0149	8	20"	4 Spd - Reverse
1657	584798 - 639999	Koh K161T-281293	7	20"	4 Spd - Reverse
1658	584798 - 639999	Tec HH60-105126J (1)	6	20"	4 Spd - Reverse
1659	584798 - 639999	Tec HH60-105126J (1)	6	20"	4 Spd - Reverse
1660	584798 - 639999	Tec HH60-105127J	6	20"	4 Spd - Reverse
1661	584798 - 639999	Tec HH60-105127J	6	20"	4 Spd - Reverse
1663	584798 - 639999	Tec HH60-105127J	6	20"	4 Spd - Reverse
1664	584798 - 639999	Tec HH60-105127J	6	20"	4 Spd - Reverse
1665	584798 - 639999	Tec HH60-105126J (1)	6	20"	4 Spd - Reverse
1666	584798 - 639999	Tec HH60-105126J (1)	6	20"	4 Spd - Reverse
1667	584798 - 639999	Koh K161T-281293	7	20"	4 Spd - Reverse

**ROTARY TILLER MODELS AND SPECIFICATIONS (CONT'D)**

SKU/ Model	Serial Number	Engine Model & Type	HP	Till Width	Remarks
<b>1982</b>					
<b>HORSE II Cont'd</b>					
1668	584798 - 639999	B & S 195432-0149	8	20"	4 Spd - Reverse
1669	584798 - 639999	B & S 195437-0150 (1)	8	20"	4 Spd - Reverse
<b>HORSE III</b>					
2215/2216	640000 - 650219	Tec HH60-105127J	6	20"	4 Spd - Reverse
2217/2218	640000 - 650219	Tec HH60-105127J	6	20"	4 Spd - Reverse
2219/2220	640000 - 650219	Tec HH60-105126J (1)	6	20"	4 Spd - Reverse
2221/2222	640000 - 650219	Tec HH60-105126J (1)	6	20"	4 Spd - Reverse
2223/2224	640000 - 650219	Koh M8T-PS301512	7	20"	4 Spd - Reverse
2225/2226	640000 - 650219	B & S 195432-0149	8	20"	4 Spd - Reverse
2227/2228	640000 - 650219	B & S 195437-0150 (1)	8	20"	4 Spd - Reverse
6000/6001	640000 - 650219	Tec HH60-105127J	6	20"	4 Spd - Reverse
6010/6011	640000 - 650219	Tec HH60-105127J	6	20"	4 Spd - Reverse
6100/6101	640000 - 650219	Tec HH60-105126J (1)	6	20"	4 Spd - Reverse
6110/6111	640000 - 650219	Tec HH60-105126J (1)	6	20"	4 Spd - Reverse
7010/7011	640000 - 650219	Koh M8T-PS301512	7	20"	4 Spd - Reverse
7100/7101	640000 - 650219	Tec HMXL70-132503	7	20"	4 Spd - Reverse
7110/7111	640000 - 650219	Tec HMXL70-132503	7	20"	4 Spd - Reverse
7200/7201	640000 - 650219	Tec HMXL70-132504 (1)	7	20"	4 Spd - Reverse
7210/7211	640000 - 650219	Tec HMXL70-132504 (1)	7	20"	4 Spd - Reverse
8010/8011	640000 - 650219	B & S 195432-0149	8	20"	4 Spd - Reverse
8110/8111	640000 - 650219	B & S 195432-0150 (1)	8	20"	4 Spd - Reverse
8710/8711	640000 - 650219	Koh M8T-PS301513	8	20"	4 Spd - Reverse
8810/8811	640000 - 650219	Koh M8T-PS301513 (1)	8	20"	4 Spd - Reverse
<b>1983/1984</b>					
<b>CULTIVATOR PLUS</b>					
4982	C001001/Up	Tec H30-35346R	3	7-12"	
5017	C001001/Up	Tec H30-35346R	3	7-12"	Roto-ette
60000	C001001/Up	Tec H30-35346R	3	7-12"	Precision
60110/60111	C001001/Up	Tec H30-35346R	3	7-12"	
60250	C001001/Up	Tec H30-35364R	3	7-12"	Modified
<b>JUNIOR II</b>					
50172/50173	M17012 - M44764	Tec H35-45593R	3.5	14.5"	Reverse
50204	M17012 - M44764	Tec H35-45606S (1)	3.5	14.5"	Reverse
<b>PONY III</b>					
20594/20595	S117319 - S15911	B & S 130292-1900	5	16"	
20596/20597	S117319 - S15911	B & S 130297-1901 (1)	5	16"	
<b>HORSE III</b>					
2215/2216	650220 - 762558	Tec HH60-105127J	6	20"	4 Spd - Reverse
2217/2218	650220 - 762558	Tec HH60-105127J	6	20"	4 Spd - Reverse
2219/2220	650220 - 762558	Tec HH60-105126J (1)	6	20"	4 Spd - Reverse
2221/2222	650220 - 762558	Tec HH60-105126J (1)	6	20"	4 Spd - Reverse
2223/2224	650220 - 762558	Koh M8T-PS301512	7	20"	4 Spd - Reverse
2225/2226	650220 - 762558	B & S 195432-0149	8	20"	4 Spd - Reverse
2227/2228	650220 - 762558	B & S 195437-0150 (1)	8	20"	4 Spd - Reverse
2308	670959 - 672560	B & S 195432-0149	8	20"	4 Spd - Reverse - U-Haul
6000/6001	650220 - 762558	Tec HH60-105127J	6	20"	4 Spd - Reverse
6010/6011	650220 - 762558	Tec HH60-105127J	6	20"	4 Spd - Reverse
6100/6101	650220 - 762558	Tec HH60-105126J (1)	6	20"	4 Spd - Reverse
6110/6111	650220 - 762558	Tec HH60-105126J (1)	6	20"	4 Spd - Reverse

## ROTARY TILLER MODELS AND SPECIFICATIONS (CONT'D)

SKU/ Model	Serial Number	Engine Model & Type	HP	Till Width	Remarks
<b>1983/1984</b>					
<b>HORSE III Cont'd</b>					
7010/7011	650220 - 762558	Koh M8T-PS301512	7	20"	4 Spd - Reverse
7100/7101	650220 - 762558	Tec HMXL70-132503	7	20"	4 Spd - Reverse
7110/7111	650220 - 762558	Tec HMXL70-132503	7	20"	4 Spd - Reverse
7200/7201	650220 - 762558	Tec HMXL70-132504 (1)	7	20"	4 Spd - Reverse
7210/7211	650220 - 762558	Tec HMXL70-132504 (1)	7	20"	4 Spd - Reverse
8010/8011	650220 - 762558	B & S 195432-0149	8	20"	4 Spd - Reverse
8110/8111	650220 - 762558	B & S 195432-0150 (1)	8	20"	4 Spd - Reverse
8710/8711	650220 - 762558	Koh M8T-PS301512	8	20"	4 Spd - Reverse
8810/8811	650220 - 762558	Koh M8T-PS301513 (1)	8	20"	4 Spd - Reverse
10056	705706 - 711166	Wis. Robin	8	20"	4 Spd - Reverse - U-Haul
<b>1985</b>					
<b>CULTIVATOR PLUS</b>					
4982	XXXXXXXX	Tec H30-35346R	3	7-12"	
5017	XXXXXXXX	Tec H30-35346R	3	7-12"	Roto-ette
60000	XXXXXXXX	Tec H30-35346R	3	7-12"	Precision
60110/60111	XXXXXXXX	Tec H30-35346R	3	7-12"	
60250	XXXXXXXX	Tec H30-35364R	3	7-12"	Modified
<b>JUNIOR II</b>					
50172/50173	XXXXXXXXXX	Tec H35-45593R	3.5	14.5"	Reverse
50204	XXXXXXXXXX	Tec H35-45606S (1)	3.5	14.5"	Reverse
<b>PONY III</b>					
20594/20595	To/S164132	B & S 130292-1900	5	16"	
20596/20597	To/S164132	B & S 130297-1901 (1)	5	16"	
<b>PONY IV</b>					
5010/5011	S164133/Up	B & S 130292-1900	5	16"	
5110/5111	S164133/Up	B & S 130297-1901 (1)	5	16"	
<b>HORSE III</b>					
2215/2216	XXXXXX	Tec HH60-105127J	6	20"	4 Spd - Reverse
2217/2218	XXXXXX	Tec HH60-105127J	6	20"	4 Spd - Reverse
2219/2220	XXXXXX	Tec HH60-105126J (1)	6	20"	4 Spd - Reverse
2221/2222	XXXXXX	Tec HH60-105126J (1)	6	20"	4 Spd - Reverse
2223/2224	XXXXXX	Koh M8T-PS301512	7	20"	4 Spd - Reverse
2225/2226	XXXXXX	B & S 195432-0149	8	20"	4 Spd - Reverse
2227/2228	XXXXXX	B & S 195437-0150 (1)	8	20"	4 Spd - Reverse
6000/6001	XXXXXX	Tec HH60-105127J	6	20"	4 Spd - Reverse
6010/6011	XXXXXX	Tec HH60-105127J	6	20"	4 Spd - Reverse
6100/6101	XXXXXX	Tec HH60-105126J (1)	6	20"	4 Spd - Reverse
6110/6111	XXXXXX	Tec HH60-105126J (1)	6	20"	4 Spd - Reverse
7010/7011	XXXXXX	Koh M8T-PS301512	7	20"	4 Spd - Reverse
7100/7101	XXXXXX	Tec HMXL70-132503	7	20"	4 Spd - Reverse
7110/7111	XXXXXX	Tec HMXL70-132503	7	20"	4 Spd - Reverse
7200/7201	XXXXXX	Tec HMXL70-132504 (1)	7	20"	4 Spd - Reverse
7210/7211	XXXXXX	Tec HMXL70-132504 (1)	7	20"	4 Spd - Reverse
8010/8011	XXXXXX	B & S 195432-0149	8	20"	4 Spd - Reverse
8110/8111	XXXXXX	B & S 195432-0150 (1)	8	20"	4 Spd - Reverse
8710/8711	XXXXXX	Koh M8T-PS301513	8	20"	4 Spd - Reverse
8810/8811	XXXXXX	Koh M8T-PS301513 (1)	8	20"	4 Spd - Reverse

## ROTARY TILLER MODELS AND SPECIFICATIONS (CONT'D)

SKU/ Model	Serial Number	Engine Model & Type	HP	Till Width	Remarks
<b>1986</b>					
<b><u>CULTIVATOR PLUS</u></b>					
4982	XXXXXXX	Tec H30-35346R	3	7-12"	
5017	XXXXXXX	Tec H30-35346R	3	7-12"	Roto-ette
60000	XXXXXXX	Tec H30-35346R	3	7-12"	Precision
60110/60111	XXXXXXX	Tec H30-35346R	3	7-12"	
60250	XXXXXXX	Tec H30-35364R	3	7-12"	Modified
<b><u>JUNIOR II</u></b>					
50172/50173	To/M0067998	Tec H35-45593R	3.5	14.5"	Reverse
50204	To/M0067998	Tec H35-45606S (1)	3.5	14.5"	Reverse
<b><u>JUNIOR III</u></b>					
5210/5211	M67998 - M68941	Tec H35-45593R	3.5	14.5"	Reverse
5310/5311	M67998 - M68941	Tec H35-45606S (1)	3.5	14.5"	Reverse
<b><u>PONY IV</u></b>					
5010/5011	S179375 - S186071	B & S 130292-1900	5	16"	
5110/5111	S179375 - S186071	B & S 130297-1901 (1)	5	16"	
<b><u>PONY V</u></b>					
5040/5041	S0186073/Up	B & S 130292-1900	5	16"	
5150/5151	S0203126/Up	B & S 130277-1901 (1)	5	16"	
<b><u>ECONO HORSE</u></b>					
6210/6211	E0001001 - E0002275	Tec H60-75500N	6	18"	
6310/6311	E0001001 - E0002275	Tec H60-75501N (1)	6	18"	
<b><u>HORSE III</u></b>					
2215/2216	806595 - 841755	Tec HH60-105127J	6	20"	4 Spd - Reverse
2217/2218	806595 - 841755	Tec HH60-105127J	6	20"	4 Spd - Reverse
2219/2220	806595 - 841755	Tec HH60-105126J (1)	6	20"	4 Spd - Reverse
2221/2222	806595 - 841755	Tec HH60-105126J (1)	6	20"	4 Spd - Reverse
2223/2224	806595 - 841755	Koh M8T-PS301512	7	20"	4 Spd - Reverse
2225/2226	806595 - 841755	B & S 195432-0149	8	20"	4 Spd - Reverse
2227/2228	806595 - 841755	B & S 195437-0150 (1)	8	20"	4 Spd - Reverse
6000/6001	806595 - 841755	Tec HH60-105127J	6	20"	4 Spd - Reverse
6010/6011	806595 - 841755	Tec HH60-105127J	6	20"	4 Spd - Reverse
6100/6101	806595 - 841755	Tec HH60-105126J (1)	6	20"	4 Spd - Reverse
6110/6111	806595 - 841755	Tec HH60-105126J (1)	6	20"	4 Spd - Reverse
7010/7011	806595 - 841755	Koh M8T-PS301512	7	20"	4 Spd - Reverse
7100/7101	806595 - 841755	Tec HMXL70-132503	7	20"	4 Spd - Reverse
7110/7111	806595 - 841755	Tec HMXL70-132503	7	20"	4 Spd - Reverse
<b>1987</b>					
<b><u>SPEEDY HOE</u></b>					
11078	HH0010000/Up	Tec TC200-2026C (2)	1.5	6-9"	Hoffco
<b><u>CULTIVATOR PLUS</u></b>					
4982	To/C017818	Tec H30-35346R	3	7-12"	
5017	To/C017818	Tec H30-35346R	3	7-12"	Roto-ette
5027	To/C017818	Tec H30-35346R	3	7-12"	(4)
60000	To/C017818	Tec H30-35346R	3	7-12"	Precision
60110/60111	To/C017818	Tec H30-35346R	3	7-12"	
60250	To/C017818	Tec H30-35364R	3	7-12"	Modified
<b><u>JUNIOR III</u></b>					
5210/5211	M68942 - M75089	Tec H35-45593R	3.5	14.5"	Reverse
5310/5311	M68942 - M75089	Tec H35-45606S (1)	3.5	14.5"	Reverse

**ROTARY TILLER MODELS AND SPECIFICATIONS (CONT'D)**

SKU/ Model	Serial Number	Engine Model & Type	HP	Till Width	Remarks
<b>1987 Cont'd</b>					
<b><u>O.P.C. JR.</u></b>					
5610/5611	M0074690 - M77754	Tec HS40-55580K	4	14"	(4)
5710/5711	M0074690 - M77754	Tec HS40-55581K (1)	4	14"	(4)
15006	M0100870 - M77754	Tec HS40-55580K (1)	4	14"	(4)
15006S	M0100970 - M77754	Tec HS40-55580K	4	14"	(4) Sears
15021S	M0100970 - M77754	Tec HS40-55580K	4	14"	(4) Sears
<b><u>SUPER PONY</u></b>					
20558	P80157 - P80408	B & S 130292-0793	5	16"	
20559	P80157 - P80408	B & S 130297-0782 (1)	5	16"	
<b><u>PONY V</u></b>					
5040/5041	S194234 - S0203125	B & S 130292-1900	5	16"	
5150/5151	S194234 - S0203125	B & S 130297-1901 (1)	5	16"	
<b><u>O.P.C. PONY</u></b>					
5410/5411	S0203126 - S209896	B & S 130292-3016	5	16"	(4)
5510/5511	S0203126 - S209896	B & S 130297-3015 (1)	5	16"	(4)
15008	S0203126 - S209896	B & S 130292-3016	5	16"	(4)
15008S	S0203126 - S209896	B & S 130292-3016	5	16"	(4) Sears
15020S	S0203126 - S209896	B & S 130292-3016	5	16"	(4) Sears
<b><u>ECONO HORSE</u></b>					
6210/6211	E0002276 - E0008843	Tec H60-75500N	6	18"	
6310/6311	E0002276 - E0008843	Tec H60-75501N (1)	6	18"	
<b><u>O.P.C. ECONO HORSE</u></b>					
6410/6411	E0008844 - E0013803	Tec H60-75505P	6	18"	(4)
6510/6511	E0008844 - E0013803	Tec H60-75506P (1)	6	18"	(4)
15010/15011	E0008844 - E0013803	Tec H60-75505P	6	18"	(4)
<b><u>HORSE III</u></b>					
2215/2216	841756 - 855638	Tec HH60-105127J	6	20"	4 Spd - Reverse
2217/2218	841756 - 855638	Tec HH60-105127J	6	20"	4 Spd - Reverse
2219/2220	841756 - 855638	Tec HH60-105126J (1)	6	20"	4 Spd - Reverse
2221/2222	841756 - 855638	Tec HH60-105126J (1)	6	20"	4 Spd - Reverse
2223/2224	841756 - 855638	Koh M8T-PS301512	7	20"	4 Spd - Reverse
2225/2226	841756 - 855638	B & S 195432-0149	8	20"	4 Spd - Reverse
2227/2228	841756 - 855638	B & S 195437-0150 (1)	8	20"	4 Spd - Reverse
6000/6001	841756 - 855638	Tec HH60-105127J	6	20"	4 Spd - Reverse
6010/6011	841756 - 855638	Tec HH60-105127J	6	20"	4 Spd - Reverse
6100/6101	841756 - 855638	Tec HH60-105126J (1)	6	20"	4 Spd - Reverse
6110/6111	841756 - 855638	Tec HH60-105126J (1)	6	20"	4 Spd - Reverse
7010/7011	841756 - 855638	Koh M8T-PS301512	7	20"	4 Spd - Reverse
7100/7101	841756 - 855638	Tec HMXL70-132503	7	20"	4 Spd - Reverse
7110/7111	841756 - 855638	Tec HMXL70-132503	7	20"	4 Spd - Reverse
<b><u>O.P.C. PTO HORSE</u></b>					
7300/7301	855639/Up	Tec HMXL70-132503B	7	20"	(4) Reverse
7310/7311	855639/Up	Tec HMXL70-132503B	7	20"	(4) Reverse
7400/7401	855639/Up	Tec HMXL70-132504B (1)	7	20"	(4) Reverse
7410/7411	855639/Up	Tec HMXL70-132504B (1)	7	20"	(4) Reverse
7500/7501	855639/Up	B & S 171432-0534 (3)	7	20"	(4) Reverse
7510/7511	855639/Up	B & S 171432-0534 (3)	7	20"	(4) Reverse
7600/7601	855639/Up	B & S 171437-0535 (1)(3)	7	20"	(4) Reverse
7610/7611	855639/Up	B & S 171432-0534 (3)	7	20"	(4) Reverse

**ROTARY TILLER MODELS AND SPECIFICATIONS (CONT'D)**

<b>SKU/ Model</b>	<b>Serial Number</b>	<b>Engine Model &amp; Type</b>	<b>HP</b>	<b>Till Width</b>	<b>Remarks</b>
<b>1987</b>					
<b><u>O.P.C. PTO</u></b>					
<b><u>HORSE Cont'd</u></b>					
8210/8211	855639/Up	Koh M8T-PS301608	8	20"	(4) Reverse
8310/8311	855639/Up	Koh M8ST-PS301609 (1)	8	20"	(4) Reverse
8311S	855639/Up	Koh M8ST-PS301609 (1)	8	20"	(4) Reverse - Sears
15019S	855639/Up	Koh M8ST-PS301609 (1)	8	20"	(4) Reverse - Sears
<b>1988</b>					
<b><u>SPEEDY HOE</u></b>					
11078	To/HH026799	Tec TC200-2026C (2)	1.5	6-9"	Hoffco
11381	50000/Up	Tec TC200-2026C (2)	1.5	6-9"	Parmi
<b><u>TUFFY</u></b>					
5225	X000100/Up	Tec H30-353875	3	14"	1 Spd - No Reverse
<b><u>O.P.C. JR.</u></b>					
5610/5611	M77755 - M88508	Tec HS40-55580K	4	14"	(4)
5710/5711	M77755 - M88508	Tec HS40-55581K (1)	4	14"	(4)
15006	M77755 - M88508	Tec HS40-55580K (1)	4	14"	(4)
15006S	M77755 - M88508	Tec HS40-55580K	4	14"	(4) Sears
15021S	M77755 - M88508	Tec HS40-55580K	4	14"	(4) Sears
<b><u>O.P.C. PONY</u></b>					
5410/5411	S209897 - S229591	B & S 130292-3016	5	16"	(4)
5510/5511	S209897 - S229591	B & S 130297-3015 (1)	5	16"	(4)
15008	S209897 - S229591	B & S 130292-3016	5	16"	(4)
15008S	S209897 - S229591	B & S 130292-3016	5	16"	(4) Sears
15020S	S209897 - S229591	B & S 130292-3016	5	16"	(4) Sears
<b><u>O.P.C. ECONO</u></b>					
<b><u>HORSE</u></b>					
6410/6411	E0013804 - E0025126	Tec H60-75505P	6	18"	(4)
6510/6511	E0013804 - E0025126	Tec H60-75506P (1)	6	18"	(4)
15010/15011	E0013804 - E0025126	Tec H60-75505P	6	18"	(4)
<b><u>O.P.C. PTO</u></b>					
<b><u>HORSE</u></b>					
7300/7301	866039 - 895068	Tec HMXL70-132503B	7	20"	(4) Reverse
7310/7311	866039 - 895068	Tec HMXL70-132503B	7	20"	(4) Reverse
7400/7401	866039 - 895068	Tec HMXL70-132504B (1)	7	20"	(4) Reverse
7410/7411	866039 - 895068	Tec HMXL70-132504B (1)	7	20"	(4) Reverse
7500/7501	866039 - 895068	B & S 171432-0534 (3)	7	20"	(4) Reverse
7510/7511	866039 - 895068	B & S 171432-0534 (3)	7	20"	(4) Reverse
7600/7601	866039 - 895068	B & S 171437-0535 (1)(3)	7	20"	(4) Reverse
7610/7611	866039 - 895068	B & S 171432-0534 (3)	7	20"	(4) Reverse
8210/8211	866039 - 895068	Koh M8T-PS301608	8	20"	(4) Reverse
8310/8311	866039 - 895068	Koh M8ST-PS301609 (1)	8	20"	(4) Reverse
8311S	866039 - 895068	Koh M8ST-PS301609 (1)	8	20"	(4) Reverse - Sears
15019S	866039 - 895068	Koh M8ST-PS301609 (1)	8	20"	(4) Reverse - Sears
<b>1989-1990</b>					
<b><u>SPEEDY HOE</u></b>					
11381	XXXXX	Tec TC200-2026C (2)	1.5	6-9"	Parmi
<b><u>TUFFY</u></b>					
5225	XXXXXXXX	Tec H30-353875	3	14"	1 Spd - No Reverse
<b><u>O.P.C. JR.</u></b>					
5610/5611	M88508 - M115948	Tec HS40-55580K	4	14"	(4)
5710/5711	M88508 - M115948	Tec HS40-55581K (1)	4	14"	(4)



**ROTARY TILLER MODELS AND SPECIFICATIONS (CONT'D)**

SKU/ Model	Serial Number	Engine Model & Type	HP	Till Width	Remarks
<b>1989-1990</b>					
<b>O.P.C. JR. Cont'd</b>					
15006	M88508 - M115948	Tec HS40-55580K (1)	4	14"	(4)
15006S	M88508 - M115948	Tec HS40-55580K	4	14"	(4) Sears
15021S	M88508 - M115948	Tec HS40-55580K	4	14"	(4) Sears
<b>O.P.C. PONY</b>					
5410/5411	S229592 - S271249	B & S 130292-3016	5	16"	(4)
5510/5511	S229592 - S271249	B & S 130297-3015 (1)	5	16"	(4)
15008	S229592 - S271249	B & S 130292-3016	5	16"	(4)
15008S	S229592 - S271249	B & S 130292-3016	5	16"	(4) Sears
15020S	S229592 - S271249	B & S 130292-3016	5	16"	(4) Sears
<b>O.P.C. ECONO</b>					
<b>HORSE</b>					
6410/6411	E0025217 - E0043764	Tec H60-75505P	6	18"	(4)
6510/6511	E0025217 - E0043764	Tec H60-75506P (1)	6	18"	(4)
15010	E0025217 - E0043764	Tec H60-75505P	6	18"	(4)
15011	E0025217 - E0043764	Tec H60-75506P (1)	6	18"	(4)
<b>O.P.C. PTO</b>					
<b>HORSE</b>					
7300/7301	0895069 - 00919666	Tec HMXL70-132503B	7	20"	(4) Reverse
7310/7311	0895069 - 00919666	Tec HMXL70-132503B	7	20"	(4) Reverse
7400/7401	0895069 - 00919666	Tec HMXL70-132504B (1)	7	20"	(4) Reverse
7410/7411	0895069 - 00919666	Tec HMXL70-132504B (1)	7	20"	(4) Reverse
7500/7501	0895069 - 00919666	B & S 171432-0534 (3)	7	20"	(4) Reverse
7510/7511	0895069 - 00919666	B & S 171432-0534 (3)	7	20"	(4) Reverse
7600/7601	0895069 - 00919666	B & S 171437-0535 (1)(3)	7	20"	(4) Reverse
7610/7611	0895069 - 00919666	B & S 171432-0534 (3)	7	20"	(4) Reverse
8210/8211	0895069 - 00919666	Koh M8T-PS301608	8	20"	(4) Reverse
8310/8311	XXXXXX	Koh M8ST-PS301609 (1)	8	20"	(4) Reverse
8311S	XXXXXX	Koh M8ST-PS301609 (1)	8	20"	(4) Reverse - Sears
15019S	XXXXXX	Koh M8ST-PS301609 (1)	8	20"	(4) Reverse - Sears
<b>1991</b>					
<b>SPEEDY HOE</b>					
11381	XXXXX	Tec TC200-2026C (2)	1.5	6-9"	Parmi
<b>TUFFY</b>					
5225	XXXXXXXX	Tec H30-353875	3	14"	1 Spd - No Reverse
5225S	XXXXXXXX	Tec H30-353875	3	14"	1 Spd - No Reverse - Sears
<b>O.P.C. JR.</b>					
15006	M115949/Up	Tec HS40-55580K	4	14"	(4)
15006S	M115949/Up	Tec HS40-55580K	4	14"	(4) Sears
15021S	M115949/Up	Tec HS40-55580K	4	14"	(4) Sears
<b>O.P.C. PONY</b>					
15008	5271250/Up	B & S 130292-3016	5	16"	(4)
15008S	5271250/Up	B & S 130292-3016	5	16"	(4) Sears
15020S	5271250/Up	B & S 130292-3016	5	16"	(4) Sears
<b>O.P.C. ECONO</b>					
<b>HORSE</b>					
15010	E0043765/Up	Tec H60-75505P	6	18"	(4)
15011	E0043765/Up	Tec H60-75506P (1)	6	18"	(4)
<b>O.P.C. PTO</b>					
<b>HORSE</b>					
7511	00942767/Up	B & S 171432-0534 (3)	7	20"	(4) Reverse
7611	00942767/Up	B & S 171432-0534 (3)	7	20"	(4) Reverse

**ROTARY TILLER MODELS AND SPECIFICATIONS (CONT'D)**

<b>SKU/ Model</b>	<b>Serial Number</b>	<b>Engine Model &amp; Type</b>	<b>HP</b>	<b>Till Width</b>	<b>Remarks</b>
<b>1991</b> <b><u>O.P.C. PTO</u></b> <b><u>HORSE Cont'd</u></b>					
8211	00942767/Up	Koh M8T-PS301608	8	20"	(4) Reverse
8311	00942767/Up	Koh M8ST-{S301609 (1)	8	20"	(4) Reverse
8311S	00942767/Up	Koh M8ST-PS301609 (1)	8	20"	(4) Reverse - Sears
15019S	00942767/Up	Koh M8ST-PS301609 (1)	8	20"	(4) Reverse - Sears
<b>1992</b> <b><u>SPEEDY HOE</u></b>					
11381	XXXXX	Tec TC200-2026C (2)	1.5	6-9"	Parmi
<b><u>MINI TILLER</u></b>					
12001	1200101001/Up	Tec TC200-2106	(2)	1.5	6-9"
<b><u>TUFFY</u></b>					
5225	XXXXXXXX	Tec H30-353875	3	14"	1 Spd - No Reverse
5225S	XXXXXXXX	Tec H30-353875	3	14"	1 Spd - No Reverse - Sears
<b><u>O.P.C. JR.</u></b>					
15006	XXXXXXXX	Tec HS40-55580K	4	14"	(4)
15006S	XXXXXXXX	Tec HS40-55580K	4	14"	(4) Sears
15021S	XXXXXXXX	Tec HS40-55580K	4	14"	(4) Sears
<b><u>O.P.C. PONY</u></b>					
15008	XXXXXXXX	B & S 130292-3016	5	16"	(4)
15009	XXXXXXXX	B & S 130292-3016 (1)	5	16"	(4)
15008S	XXXXXXXX	B & S 130292-3016	5	16"	(4) Sears
15020S	XXXXXXXX	B & S 130292-3016	5	16"	(4) Sears
<b><u>O.P.C. ECONO</u></b> <b><u>HORSE</u></b>					
15010	XXXXXXXX	Tec H60-75505P	6	18"	(4)
15011	XXXXXXXX	Tec H60-75506P (1)	6	18"	(4)
<b><u>O.P.C. PTO</u></b> <b><u>HORSE</u></b>					
7511	XXXXXX	B & S 171432-0534 (3)	7	20"	(4) Reverse
7611	XXXXXX	B & S 171432-0534 (3)	7	20"	(4) Reverse
8211	XXXXXX	Koh M8T-PS301608	8	20"	(4) Reverse
8311	XXXXXX	Koh M8ST-PS301609 (1)	8	20"	(4) Reverse
8311S	XXXXXX	Koh M8ST-PS301609 (1)	8	20"	(4) Reverse - Sears
15019S	XXXXXX	Koh M8ST-PS301609 (1)	8	20"	(4) Reverse - Sears
<b>1993</b> <b><u>MINI TILLER</u></b>					
12001	120010100101/Up	Tec TC200-2106	(2)	1.5	6-9"
<b><u>TUFFY</u></b>					
12060	120600100101/Up	Tec H30-353875	3	14"	1 Spd - No Reverse
12060S	120600100101/Up	Tec H30-353875	3	14"	1 Spd - No Reverse - Sears
<b><u>O.P.C. JR.</u></b>					
15006	150060100101/Up	Tec HS40-55580K	4	14"	(4)
15006S	15006S0100101/Up	Tec HS40-55580K	4	14"	(4) Sears
15021S	15021S0100101/Up	Tec HS40-55580K	4	14"	(4) Sears
<b><u>O.P.C. PONY</u></b>					
15008	150080100101/Up	B & S 130292-3016	5	16"	(4)
15008S	15008S0100101/Up	B & S 130292-3016	5	16"	(4) Sears
15009	150090100101/Up	B & S 130292-3016 (1)	5	16"	(4)
15020S	15020S0100101/Up	B & S 130292-3016	5	16"	(4) Sears

**ROTARY TILLER MODELS AND SPECIFICATIONS (CONT'D)**

<b>SKU/ Model</b>	<b>Serial Number</b>	<b>Engine Model &amp; Type</b>	<b>HP</b>	<b>Till Width</b>	<b>Remarks</b>
<b><u>1993 Cont'd</u></b> <b><u>O.P.C. ECONO</u></b> <b><u>HORSE</u></b> 15010	150100100101/Up	Tec H60-75505P	6	18"	(4)
<b><u>O.P.C. PTO</u></b> <b><u>HORSE</u></b> 12056	120560100101/Up	B & S 171432-0534	7	20"	(4) Reverse
12057	120570100101/Up	B & S 171432-0534 (1)	7	20"	(4) Reverse
12058	120580100101/Up	Koh M8T-PS301608	8	20"	(4) Reverse
12059	120590100101/Up	Koh M8ST-PS301609 (1)	8	20"	(4) Reverse
12059S	12059S0100101/Up	Koh M8ST-PS301609 (1)	8	20"	(4) Reverse - Sears
15019S	15019S0100101/Up	Koh M8ST-PS301609 (1)	8	20"	(4) Reverse - Sears

1 - Electric Start    2 - 2 Cycle    3 - I.C. Engine    4 - Operator Presence    5 - Prod. Started 1970

**ROTARY TILLER ATTACHMENT INTERCHANGEABILITY\***

Description	SKU/ Accessory No.	Tiller Model								
		Speedy Hoe	Mini Tiller	Roto-ette Cultivator Plus	Tuffy	Junior	Pony	Econo	Horse	PTO Horse
Aerator	H213925	X								
Border/Edger	H213931	X								
Bumper	1875 1932 11045 11071 1901457				X	(2)	X	X	X	X
Chains - Tire	9146								X	X
Chipper/Shredder	2009 47026									X X
Dethatcher	H213914	X								
Dozer Blade	1407								X	X
Dozer/Bumper	1873								X	X
Furrower	10061			X						
Generator	2010									X
Hiller/Furrower	1317 1356 1850 1851 2638 20868					X	X	X	X	X X X X X
Kickstand	1931									X
Logsplitter	11377									X
Row Marker	1832					X	X	X	X	X
Tiller Cover	1446 20452						X	X	X	X
Tines - Bolo	1901118 1348 5013 1901 - Hard Faced 10802			X	X	X	X	X	X	X X X X
Tow Hitch	2004									X
Power Edger	10081			X						
Saddlebag/ Tool Pouch	1945								X	X
Service Pkg - 5HP	4924						X	(3)		X
Kohler - 8HP	10540					X				
Tec - 3.5HP	11016							X		
Tec - 6HP	11017								X	X
Tec - 7HP	11024								X	X
B & S - 7HP	11380								X	X
Tec - 3HP	11446				X					
Tec - 1.5HP	11098	X								
B & S - 5HP	11535							(5)		
Tec - 1.5HP	1901319		X							
Snowthrower	60225			(1)						
Tine Cradle	2007									X
V-Sweep Cultivator	2003									X
Wheels - Transport	H214074	X								
Weights - Wheel	10185								X	X
- Frame	55067				X					
Wrench - PTO	2005									X

\*NOTE: Check Accessory or Sales Price List for availability.

1 - Fits model 60250 only (modified).

4 - Serial S198487 - 242649.

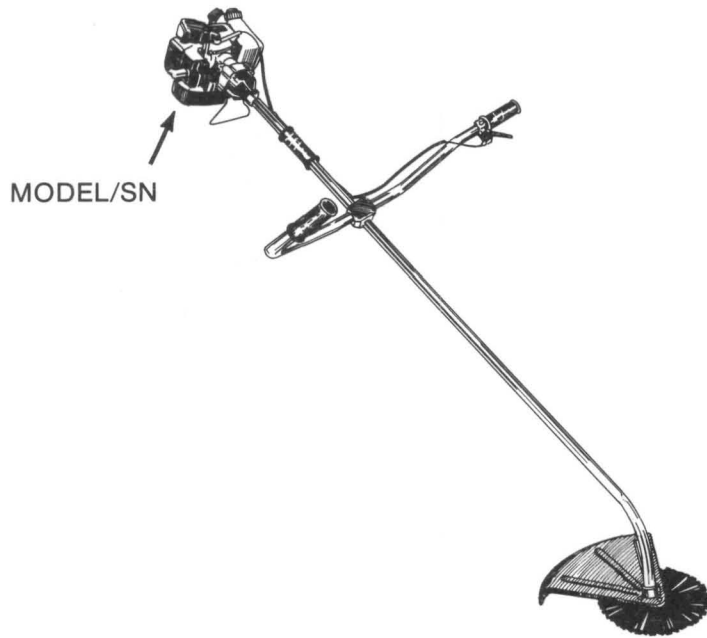
2 - Serial M67999 & up.

5 - Serial #S242650 & up.

3 - Serial S132875 - S198078.

## BRUSHCUTTER IDENTIFICATION

### Brushcutter/Power Scythe



### BRUSHCUTTER MODELS AND SPECIFICATIONS

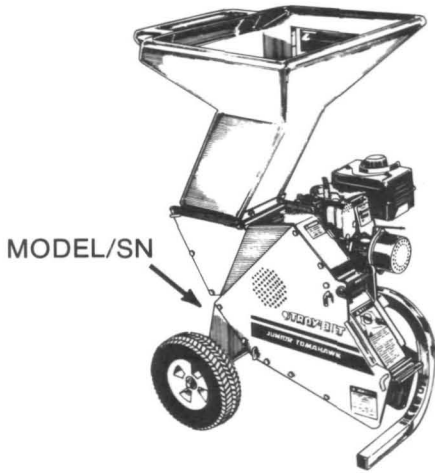
SKU/Model	Serial No.	Engine Model & Type	H.P.	Remarks
<b>1985 - Present Power Scythe</b>				
4989 (1985)	H1000-H7507	Tec TC-200-2001C (1)	1.6	Standard Equip. (all models)
10788 (1986)	H007508-H010507	Tec TC-200-2001C (1)	1.6	Mono Filament, Tri Kut & Brush Blade
11069 (1987 & Later)	H110508/Up	Tec TC-200-2001C (1)	1.6	Optional Equip. (all models) H213485 Slash Head

1 - 2 Cycle

# CHIPPER/SHREDDER IDENTIFICATION

## Junior™ TOMAHAWK

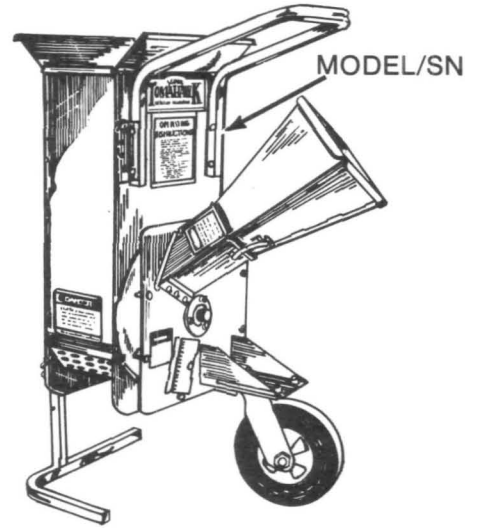
---



(Attachments - Page 35)

## PTO TOMAHAWK®

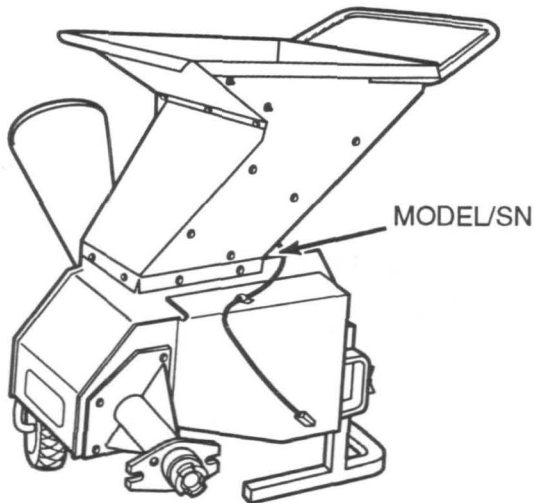
---



(Attachments - Page 35)

## TROY-BILT® PTO

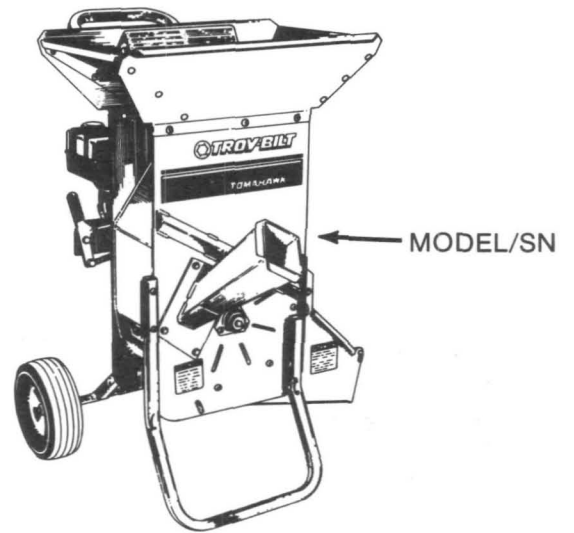
---



(Attachments - Page 36)

## TOMAHAWK®

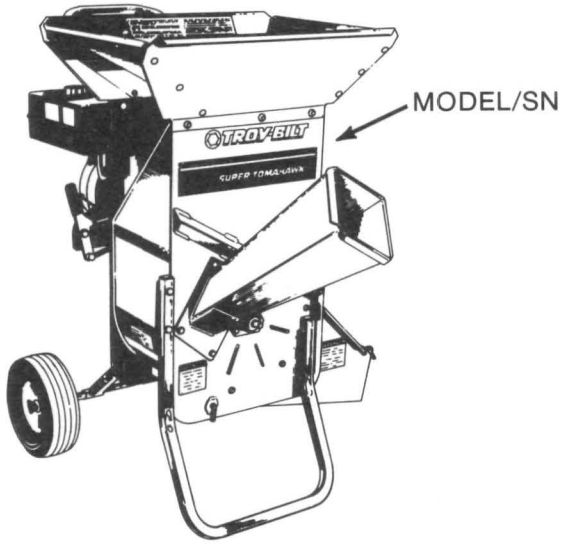
---



(Attachments - Page 35)

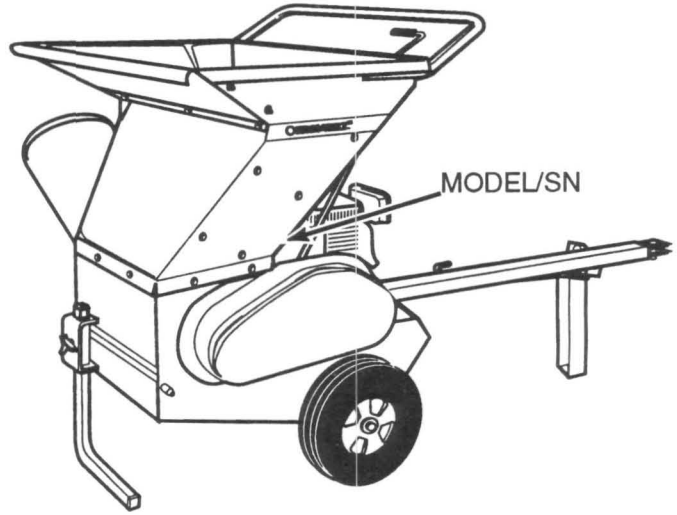
**CHIPPER/SHREDDER IDENTIFICATION (CONT'D)**

**SUPER TOMAHAWK®**



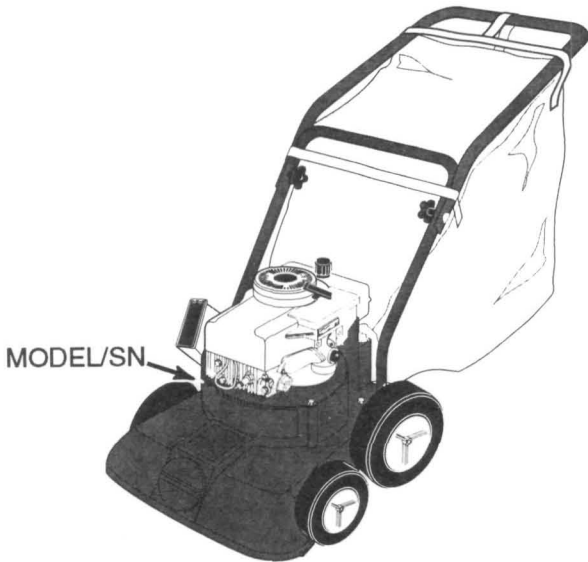
(Attachments - Page 35)

**TOW BEHIND**



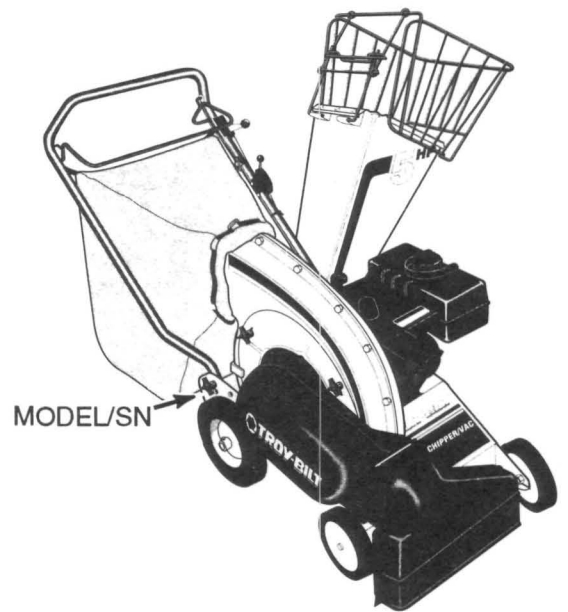
(Attachments - Page 36)

**GARDEN WAY® CHIPPER/VAC**



(Attachments - Page 36)

**TROY-BILT® CHIPPER/VAC**



(Attachments - Page 36)

## CHIPPER/SHREDDER MODELS AND SPECIFICATIONS

SKU/Model	Serial Number	Engine Model & Type	HP	Remarks
<b>1983</b> <b>TOMAHAWK I</b> 5-8-2G/C (4)  5-8-2G/M	840083/Up  840083/Up	B & S 130232-1536 Tec H50-65484N B & S 130232-1536 Tec H50-6548N	5 5 5 5	(3) Green - Market Test - Centrifugal Clutch (Both Models)
<b>1984</b> <b>TOMAHAWK I</b> 5-8-2G/C (4)  5-8-2G/M	840083/Up  840083/Up	B & S 130232-1536 Tec H50-65484N B & S 130232-1536 Tec H50-6548N	5 5 5 5	(3) Green - Market Test - Centrifugal Clutch (Both Models)
<b>SUPER</b> <b>TOMAHAWK I</b> 4979 4979M 4980 4990	843154/Up W500285/Up 500000/Up W800000/Up	Tec H50-65499P Tec H50-65499P Tec H50-65499P B & S 190402-3020	5 5 5 8	First low base mounted engine & lever type belt clutch. (All Models)
<b>1985</b> <b>PTO</b> <b>TOMAHAWK I</b> 2009 <b>PTO</b> <b>TOMAHAWK II</b> 10656 <b>SUPER</b> <b>TOMAHAWK I</b> 4979 4979M 4980 4990 <b>SUPER</b> <b>TOMAHAWK II</b> 10633 10634 10635 10636 <b>SUPER</b> <b>TOMAHAWK III</b> 10939 10940 10941 10942	W100000-W101149  W101150/Up  To/850808 To/W502630 To/W502315 To/W805024  W502631/Up W502631/Up W805025/Up W805025/Up  W503996/Up W503996/Up W808960/Up W808960/Up	    Tec H50-65499P Tec H50-65499P Tec H50-65499P B & S 190402-3020  Tec H50-65499P Tec H50-65509S (1) B & S 190402-3020 B & S 190417 (1)  Tec H50-65499P Tec H50-65509S (1) B & S 190402-3020 B & S 190417 (1)	    5 5 5 8  5 5 8 8  5 5 8 8	Pro Horse Attach.  PTO Horse Attach.
<b>1986</b> <b>PTO</b> <b>TOMAHAWK II</b> 10656 <b>PTO</b> <b>TOMAHAWK III</b> 10943	To/W101840  W101841/UP			PTO Horse Attach.  PTO Horse Attach.



**CHIPPER/SHREDDER MODELS AND SPECIFICATIONS (CONT'D)**

SKU/Model	Serial Number	Engine Model & Type	HP	Remarks
<b>1986</b> <b>SUPER</b> <b>TOMAHAWK II</b>				
10633	To/W503995	Tec H50-65499P	5	
10634	To/W503995	Tec H50-65509S (1)	5	
10635	To/W808959	B & S 190402-3020	8	
10636	To/W808959	B & S 190417 (1)	8	
<b>SUPER</b> <b>TOMAHAWK III</b>				
10939	XXXXXXXX	Tec H50-65499P	5	
10940	XXXXXXXX	Tec H50-65509S (1)	5	
10941	XXXXXXXX	B & S 190402-3020	8	
10942	XXXXXXXX	B & S 190417 (1)	8	
<b>1987</b> <b>PTO</b> <b>TOMAHAWK III</b>				
10943	To/W102264			PTO Horse Attach.
<b>PTO</b> <b>TOMAHAWK IV</b>				
2011	W102265/Up			PTO Horse Attach.
<b>TOMAHAWK II</b>				
11360	W300100/Up	Tec H35-45613R	3.5	
<b>SUPER</b> <b>TOMAHAWK III</b>				
10939	To/W507172	Tec H50-65499P	5	
10940	To/W507172	Tec H50-65509S (1)	5	
10941	To/W817649	B & S 190402-3020	8	
10942	To/W817649	B & S 190417 (1)	8	
<b>SUPER</b> <b>TOMAHAWK IV</b>				
11085	W507173/Up	Tec H50-65499P	5	
11086	W507173/Up	Tec H50-65509S (1)	5	
11087	W817650/Up	B & S 190402-3020	8	
11088	W817650/Up	B & S 190417 (1)	8	
<b>1988</b> <b>JUNIOR</b> <b>TOMAHAWK</b>				
4634	B010000/Up	Tec H35-45620S	3	Direct Drive
<b>PTO</b> <b>TOMAHAWK IV</b>				
2011	W102265/Up			PTO Horse Attach.
<b>TOMAHAWK II</b>				
11360	W301976/Up	Tec H35-45613R	3.5	
<b>TOMAHAWK III</b>				
11427	W400100/Up	Tec HS40-55568K	4	
11428	W400100/Up	Tec HS40-55569K (1)	4	
<b>SUPER</b> <b>TOMAHAWK IV</b>				
11085	To/W550078	Tec H50-65499P	5	
11086	To/W510078	Tec H50-65509S (1)	5	
11087	To/W825087	B & S 190402-3020	8	
11088	To/W825087	B & S 190417 (1)	8	

## CHIPPER/SHREDDER MODELS AND SPECIFICATIONS (CONT'D)

SKU/Model	Serial Number	Engine Model & Type	HP	Remarks
<b>1988 Cont'd</b>				
<b><u>SUPER</u></b>				
<b><u>TOMAHAWK V</u></b>				
11387	W510079/Up	Tec H50-65499P	5	
11388	W510079/Up	Tec H50-65509S (1)	5	
11389	W825088/Up	B & S 190402-3020	8	
11390	W825088/Up	B & S 190417 (1)	8	
11478	W825088/Up	B & S 195432-0881 (1)(2)	8	
<b>1989</b>				
<b><u>JUNIOR</u></b>				
<b><u>TOMAHAWK</u></b>				
4634	To/B015003	Tec H35-45620S	3	Direct Drive
4634T	B015004/Up	Tec H35-45620S	3	Direct Drive
4634TS	B410001/Up	Tec H35-45620S	3	Direct Drive
<b><u>PTO</u></b>				
<b><u>TOMAHAWK IV</u></b>				
2011	XXXXXXXX			PTO Horse Attach.
<b><u>TOMAHAWK III</u></b>				
11427	To/W403144	Tec HS40-55568K	4	
11428	To/W403144	Tec HS40-55569K (1)	4	
<b><u>TOMAHAWK IV</u></b>				
15017	W403145-W404561	Tec HS40-55568K	4	
15018	W403145-W404561	Tec HS40-55569K (1)	4	
15028	T1100100/Up	Tec HS40-55568K	4	
15028S	T3100100/Up	Tec HS40-55568K	4	Sears
15029	T2100100/Up	Tec HS40-55569K (1)	4	
<b><u>SUPER</u></b>				
<b><u>TOMAHAWK V</u></b>				
11387	To/W517024	Tec H50-65499P	5	
11388	To/W517024	Tec H50-65509S (1)	5	
11389	To/W836275	B & S 190402-3020	8	
11390	To/W836275	B & S 190417 (1)	8	
11478	To/W836275	B & S 195437-0862 (1)(2)	8	
<b><u>SUPER</u></b>				
<b><u>TOMAHAWK VI</u></b>				
15012	W517025 - W517804	Tec H50-65548S	5	
15013	W517025 - W517804	Tec H50-65549S (1)	5	
15014	W836276 - W836596	B & S 190402-3020	8	
15014S	W836276 - W836596	B & S 190402-3020	8	Sears
15015	W836276 - W836569	B & S 190417 (1)	8	
15016	W836743 - W847833	B & S 195437-0881 (1)(2)	8	
<b>1990</b>				
<b><u>JUNIOR</u></b>				
<b><u>TOMAHAWK</u></b>				
4634T	XXXXXXXX	Tec H35-45620S	3	Direct Drive
4634TS	XXXXXXXX	Tec H35-45620S	3	Direct Drive - Sears
<b><u>PTO</u></b>				
<b><u>TOMAHAWK IV</u></b>				
2011	XXXXXXXX			PTO Horse Attach.
<b><u>TOMAHAWK IV</u></b>				
15028	XXXXXXXX	Tec H340-55568K	4	
15028S	XXXXXXXX	Tec H345-55568K	4	Sears
15029	XXXXXXXX	Tec HS40-55569K (1)	4	

**CHIPPER/SHREDDER MODELS AND SPECIFICATIONS (CONT'D)**

<b>SKU/Model</b>	<b>Serial Number</b>	<b>Engine Model &amp; Type</b>	<b>HP</b>	<b>Remarks</b>
<b>1990 Cont'd</b>				
<b><u>SUPER</u></b>				
<b><u>TOMAHAWK VI</u></b>				
15012	T3300100/Up	Tec H50-655548S	5	
15013	T3500100/Up	Tec H50-655549S (1)	5	
15014	T3700100/Up	B & S 190402-3020	8	
15014S	T3900100/Up	B & S 190402-3020	8	Sears
15015	T4100100/Up	B & S 190417 (1)	8	
15016	T4500100/Up	B & S 195437-0881 (1)(2)	8	
47251	T4300100/Up	B & S 195437-0881 (2)	8	Repl. 15014
<b>1991</b>				
<b><u>JUNIOR</u></b>				
<b><u>TOMAHAWK</u></b>				
4634T	XXXXXXXX	Tec HS35-45620S	3	Direct Drive
4634TS	XXXXXXXX	Tec HS35-45620S	3	Direct Drive - Sears
<b><u>PTO</u></b>				
<b><u>TOMAHAWK IV</u></b>				
2011	XXXXXXXX			PTO Horse Attach.
<b><u>TOMAHAWK IV</u></b>				
15028	To/T1105022	Tec H340-55568K	4	
15028S	To/T2100926	Tec H345-55568K	4	Sears
15029	To/T3100744	Tec HS40-55569K (1)	4	
47254	T5000100/Up	Tec H340-55568K	4	
<b><u>SUPER</u></b>				
<b><u>TOMAHAWK VI</u></b>				
15012	To/T3305800	Tec H50-65548S	5	
15013	To/T351730	Tec H50-65549S (1)	5	
15014S	To/T3902554	B & S 190402-3020	8	Sears
15016	To/T4306690	B & S 195437-0862 (1)(2)	8	
47251	T4500101/T4506316	B & S 195437-0881 (2)	8	Repl. 15014
<b>1992</b>				
<b><u>JUNIOR</u></b>				
<b><u>TOMAHAWK</u></b>				
4634T	XXXXXXXX	Tec HS35-45620S	3	Direct Drive
4634TS	XXXXXXXX	Tec HS35-45620S	3	Direct Drive - Sears
<b><u>TOMAHAWK V</u></b>				
47254	XXXXXXXX	Tec H340-55568K	4	
<b><u>SUPER</u></b>				
<b><u>TOMAHAWK VII</u></b>				
47255	T5100101/Up	Tec H50-65548S	5	
47256	T5200101/Up	Tec H50-65549S (1)	5	
47257	T5300101/Up	B & S 190402-3020	8	Sears
47258	T5500101/Up	B & S 195437-0862 (1)(2)	8	
47250	T5400101/Up	B & S 195437-0881 (1)	8	Repl. 15014
<b>1993</b>				
<b><u>JUNIOR</u></b>				
<b><u>TOMAHAWK</u></b>				
4634T	XXXXXXXX	Tec HS35-45620S	3	Direct Drive
4634TS	XXXXXXXX	Tec HS35-45620S	3	Direct Drive - Sears

## CHIPPER/SHREDDER MODELS AND SPECIFICATIONS (CONT'D)

SKU/Model	Serial Number	Engine Model & Type	HP	Remarks
<b>1993 Cont'd</b>				
<b><u>PTO</u></b>				
47026	470260100101/Up			*PTO Horse Attachment
<b><u>TOMAHAWK V</u></b>				
47254	XXXXXXX	Tec H340-55568K	4	
<b><u>SUPER</u></b>				
<b><u>TOMAHAWK VII</u></b>				
47265	472650100101/Up	B & S 190402-3020	8	Sears
47266	472660100101/Up	B & S 195437-0881	8	
47267	472670100101/Up	B & S 195437-0862 (1)(2)	8	
47276	472760100101/Up	Tec H50-65548S	5	
<b><u>TOW BEHIND</u></b>				
47024	470240100101	Tec HM100-159220 (1)	10	

1 - Electric Start    2 - I.C. Engine    3 - WW    4 - Super Tomahawk

\*Cannot be sold as an attachment for tillers that are not equipped with Operator Presence Controls. The shredder attachment is not fully functional on tillers NOT equipped with OPC (serial #856000 and lower). This situation involves safety related functions.

## CHIPPER/VAC MODELS AND SPECIFICATIONS

SKU/Model	Serial Number	Engine Model & Type	HP	Remarks
<b>1992</b>				
47021	470210100101/Up	Tec TVS105-53181J	4	Garden Way
47260	472600100101/Up	Tec HS40-55602K	4	
47261	472610100101/Up	Tec H50-65578T	5	Self Propelled
<b>1993</b>				
47021	470210100101/Up	Tec TVS105-53181J	4	Garden Way
47278	472780100101/Up	Tec HS40-55602K	4	
47279	472790100101/Up	Tec H50-65578T	5	Self Propelled
47280	472800100101/Up	Tec HS40-55602T	4	
47281	472810100101/Up	Tec H50-65582T	5	Self Propelled

**CHIPPER/SHREDDER ATTACHMENT INTERCHANGEABILITY\***

Description	SKU/ Accessory No.	Tomahawk Model																
		JR	PTO I	PTO II	PTO III	PTO IV	TOM I	TOM II	TOM III	TOM IV	TOM V	SUP I	SUP II	SUP III	SUP IV	SUP V	SUP VI	SUP VII
Adaptor Kit	11352							X										
Axle Kit	1900919																	
Bar Grate	5002 11359 11575K 11576K		X	X	X	X	X		X	X								
Battery Platform	11542																	
Battery Retro Kit	15027																	
Bearing Kit - WL16T W21T	10980 WBK100 WBK200				X	X		X	X	X	X		X	X	X	X	X	X
Blade Kit	11494																	
Clutch Kit	11600								X					X				
Collection Bag	10545 11443 11484 11501		X	X	X	X	X	X		X				X	X			
Cover	11520						X	X	X	X	X	X	X	X	X	X	X	X
Cyl. Kit - 5 & 8HP 4HP	1900922 1900923																	
Discharge Screen 3/8"	11487																	
1"	11489		X	X	X	X	X		X									
	11529K 11531K									X								X
1-3/4"	11485K 11488	X																
	11490 11530K 11532K 11573K 11574K		X	X	X	X	X		X									
Goggles	1756954	X	X	X	X	X	X	X	X	X	X	X	X	X	X	X	X	X
Leaf Tray	10543 11353		X	X	X	X												
Pulley Kit	1900920																	
Roll Pin Kit	11536	X																
Service Pkg-3HP 5HP 8HP	11463 10974 10975 11311	X					X											
4 & 5HP 4 & 5HP 8HP (I/C) 8HP (I/C)	11354 1900931 11479 1900932							X	X	X	X							
Shaft/Bearing Kit	WSBK100 WSBK200		X	X			X											

**CHIPPER/SHREDDER ATTACHMENT INTERCHANGEABILITY (CONT'D)\***

Description	SKU/ Accessory No.	Tomahawk Model																
		JR	PTO I	PTO II	PTO III	PTO IV	TOM I	TOM II	TOM III	TOM IV	TOM V	SUP I	SUP II	SUP III	SUP IV	SUP V	SUP VI	SUP VII
Shaft Kit - W21T	WSK100					X												
WL16T	WSK200				X									X				
	WSK300				X	X								X				
	WSK400								X	X								
Tamper	11523	X																
	11524		X	X	X	X	X	X	X			X	X	X	X	X		
	11525								X	X							X	X
Tow Bar	10984						X	X	X	X	X	X	X	X	X	X	X	X

\*NOTE: Check Accessory or Sales Price List for availability.

1 - 4HP

2 - 5 & 8HP

**CHIPPER/SHREDDER ATTACHMENT INTERCHANGEABILITY\***

Description	SKU/ Accessory No.	Troy-Bilt Model		
		47024 TOW BEHIND	47026 PTO	
Bar Grate	1762668		X	
	1763534	X		
Discharge Screen 3/8"	1762664		X	
	1763530	X		
1"	1762666		X	
	1763532	X		
1-3/4"	1762667		X	
	1763533	X		
Goggles	1756954	X	X	
Tamper	1763008	X	X	

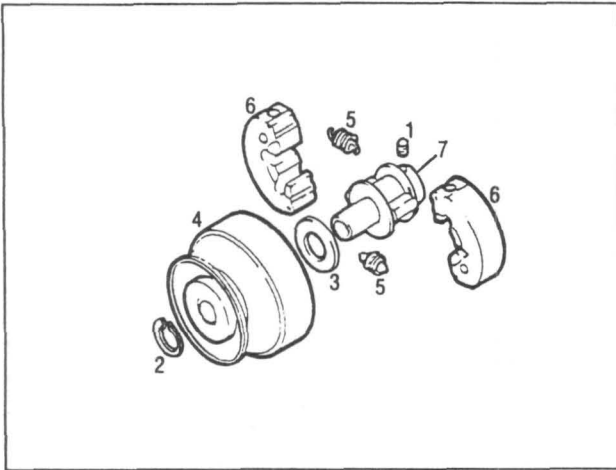
\*NOTE: Check Accessory or Sales Price List for availability.

**CHIPPER/VAC ATTACHMENT INTERCHANGEABILITY\***

Description	SKU/ Accessory No.	47021	47260	47261	47278	47279	47280	47281
Inlet Cap	1901112		X	X	X	X	X	X
Hose Kit	1765861	X						
	1901111		X	X	X	X	X	X
Screen (Opt.)	1901116		X	X	X	X	X	X
Service Pkg - 4HP	1901115		X	X	X	X	X	X
- 5HP	1901153		X	X	X	X	X	X
	1763354	X						
Rake-In Tray	1901114		X	X	X	X	X	X
Vacuum Snout	1901113		X	X	X	X	X	X

\*NOTE: Check Accessory or Sales Price List for availability.

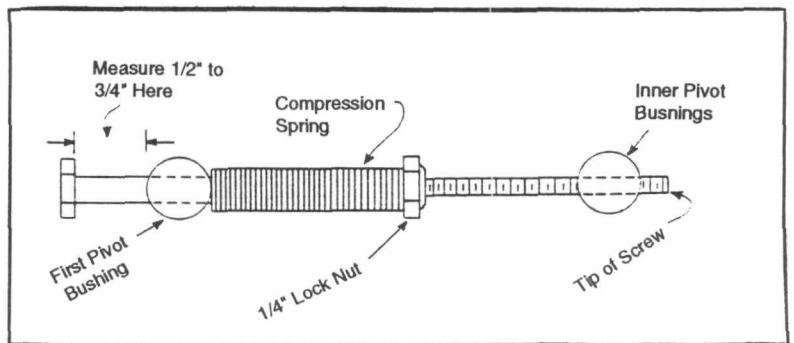
## CHIPPER/SHREDDER CLUTCH (Early Models)



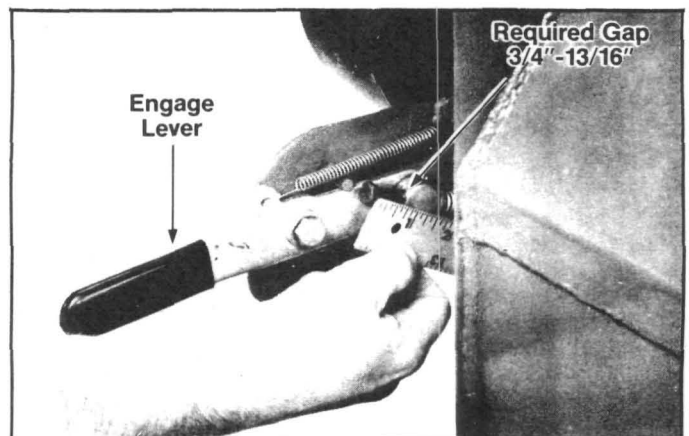
Ref #	Part #	Description	Qty.
	1816024	Clutch Assy (3/4") .....	1
1	1816146	Clutch Set Screw .....	1
2	1816147	Clutch Snap Ring .....	1
3	1816149	Clutch Washer .....	1
4	1816150	Clutch Drum w/Bushing .....	1
5	1816152	Clutch Spring - Red .....	2
6	1816153	Clutch Shoe .....	2
7	1816154	Clutch Hub .....	1

## **BELT TENSION CHECK** (Engage Lever Models)

The tension mechanism is self-adjusting. When the belt is new, the gap is 3/4". As the belt wears over time, this distance will gradually decrease. If the gap ever decreases to less than 1/4", adjust the bolt to make the gap approximately 3/8". Turn it counter clockwise. Once an adjustment needs to be made, it is advisable from there on in to check this gap more frequently (every season), and if another adjustment is ever needed, the belt should be replaced at that time.

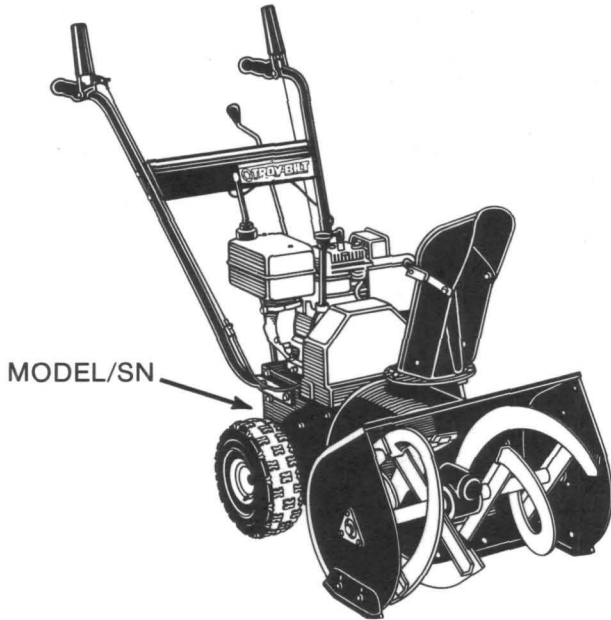


The photo shows how to check belt tension adjustment. If the tension is correct yet your machine's performance seems to be slowing, the spring shown in the diagram may not be fully compressed.



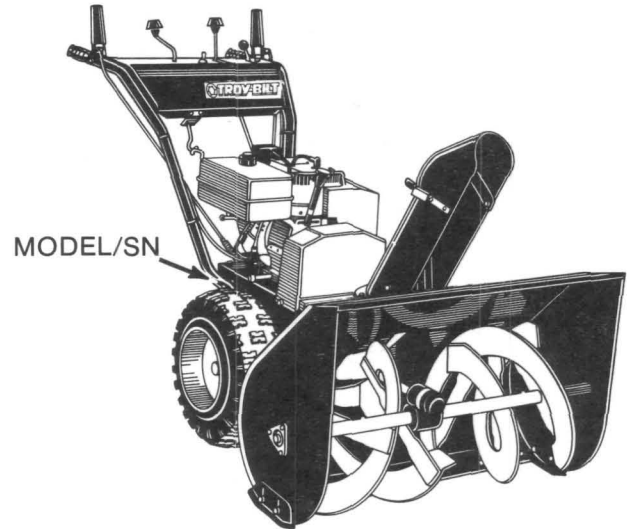
## SNOWTHROWER IDENTIFICATION

### 5HP MID FRAME



(Attachments - Below)

### 8HP MID FRAME



(Attachments - Below)

## SNOWTHROWER MODELS AND SPECIFICATIONS (CONT'D)

SKU/ Model	Serial Number	Engine Model & Type	H.P.	Till Width	Remarks
<b>1990 - Present</b>					
826R (1990)	B250100101 & Up	Tec HMSK80-155282L	8	26"	Two Stage w/Diff. & Alternator
5210R	B270100101 & Up	Tec HSSK50-67257F	5	21	Two Stage
5210RS	B350100101 & Up	Tec HSSK50-67257F	5	21"	Two Stage - Sears
42000 (1992)	B570100101 & Up	Tec HS50-67323K	5	21	Two Stage

## SNOWTHROWER ATTACHMENT INTERCHANGEABILITY\*

### SNOWTHROWER ENGINE RPM FULL THROTTLE (NO LOAD)

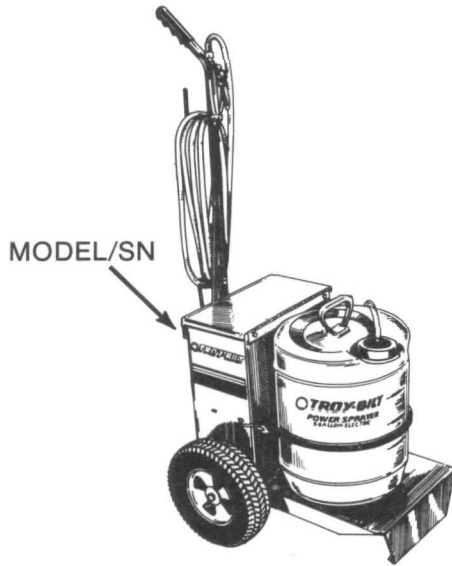
MID FRAME TWO STAGE		LARGE FRAME TWO STAGE	
H.P.	RPM	H.P.	RPM
5.0	3600	8.0	3600

Description	SKU/ Accessory No.	Snowthrower Model	
		826R	5210RS
Cab	6931R	X	
Drift Slicer	1720887001	X	X
Starter Kit - 110 Volt	6848	X	
	B6878		X
Tire Chains (F/4.10/3.50x4) (F/4.80/4.00x8)	1756276		
	1756278	X	



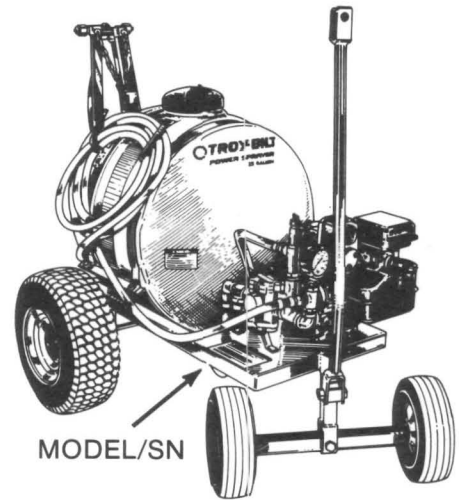
## SPRAYER IDENTIFICATION

### 5 GALLON ELECTRIC



(Attachments - Page 40)

### 25 GALLON GAS



(Attachments - Page 40)

## SPRAYER MODELS AND SPECIFICATIONS

SKU/Model	Serial No.	Engine Model & Type	H.P.	Gallon	Remarks
<b><u>1986 - 1987</u></b>					
<b><u>Sprayer</u></b>					
11336	78763-204012	Electric (12 volt battery)		5	Spot Shot Brand
<b><u>Sprayer I</u></b>					
10794	S002082/Up	Electric (12 volt battery)		5	GW Brand
15025	S007569/Up	Electric (12 volt battery)		5	GW Brand - Shur Flow Pump
<b><u>1988</u></b>					
<b><u>Sprayer I</u></b>					
10794	XXXXXXXX	Electric (12 volt battery)		5	GW Brand
15025	XXXXXXXX	Electric (12 volt battery)		5	GW Brand - Shur Flow Pump
11356	W0001000/Up	B & S	3	25	WW Brand - Incl. options
11385	W0001000/Up	B & S	3	25	GW Brand
<b><u>Sprayer II</u></b>					
11371	W0001000/Up	B & S	3	25	GW Brand

**SPRAYER MODELS AND SPECIFICATIONS (CONT'D)**

SKU/ Model	Serial Number	Engine Model & Type	HP	Gallon	Remarks
<b>1989</b>					
<b><u>Sprayer I</u></b>					
10794	Up to S007030	Electric (12 volt battery)		5	GW Brand
15025	Up to S007569	Electric (12 volt battery)		5	GW Brand - Shur Flow Pump
11356	Up to W0001486	B & S	3	25	WW Brand - Incl. Options
11385	Up to W0001486	B & S	3	25	GW Brand
<b><u>Sprayer II</u></b>					
11371	Up to W0001486	B & S	3	25	GW Brand
15032	S007570 & Up	Electric (12 volt battery)		5	TB Brand
<b><u>Sprayer III</u></b>					
15001	W1001487 - W1002245	B & S	3	25	WW Brand - Incl. Options
<b><u>Sprayer IV</u></b>					
15030	W002246 & Up	B & S	3	25	TB Brand
<b>1990 - Present</b>					
<b><u>Sprayer II</u></b>					
15032	XXXXXXXX	Electric (12 volt battery)		5	TB Brand
<b><u>Sprayer IV</u></b>					
15030	XXXXXXXX	B & S	3	25	TB Brand

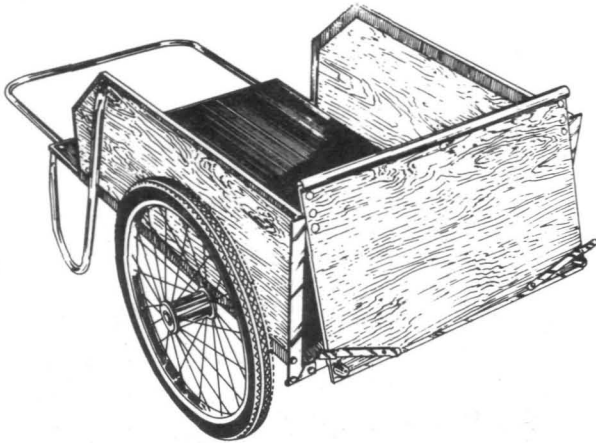
**SPRAYER ATTACHMENT INTERCHANGEABILITY\***

Description	SKU/ Accessory No.	Sprayer Model					
		I		II		III	IV
		Electric	Gas	Electric	Gas		
Spray Boom - 4 Nozzle	15031		X		X	X	X
Tank - 5 Gal.	15033	X		X			

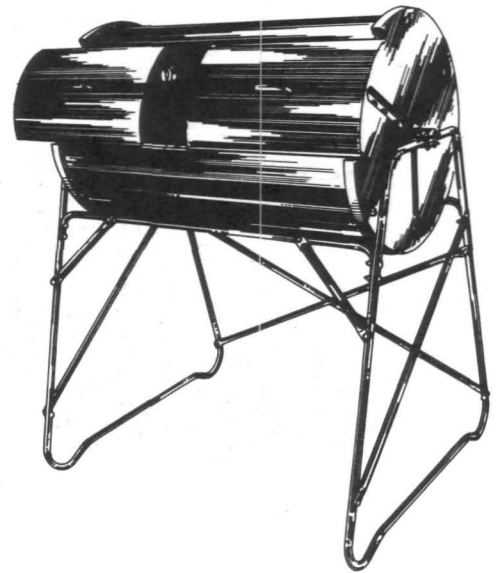
\*NOTE: Check Accessory or Sales Price List for availability.

## MISCELLANEOUS PRODUCT IDENTIFICATION

### Carts

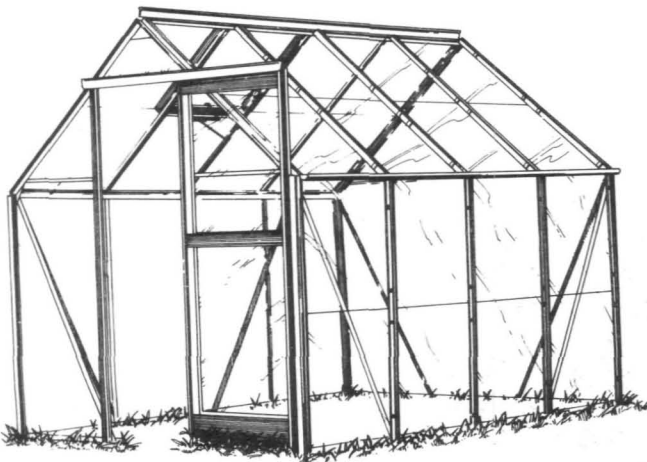


### E-Z SPIN® Composter



(Attachments - Below)

### ELITE Greenhouse



(Attachments - Below)

## MISCELLANEOUS PRODUCT MODELS AND SPECIFICATIONS\*

SKU/Model	Description	Accessory No.	Remarks
03170	Model 26 Cart (13 bushel)		
03180	Model 20 Cart (5 bushel)		
11445	E-Z Spin Composter	10981	Thermometer
11450	Elite Greenhouse (8'x6')	11468	Vent Opener
15000	Elite Greenhouse (12'x8')	1900337	Rain Water Kit
		1900338	Louver Window
		1900339	Window Opener - Automatic
		1900340	Std. Alloy Base - 8'x6'
		1900341	DLX Alloy Base - 8'x12'
		1900342	Alloy Shelf Unit
		1900343	Dbl. Stage Table

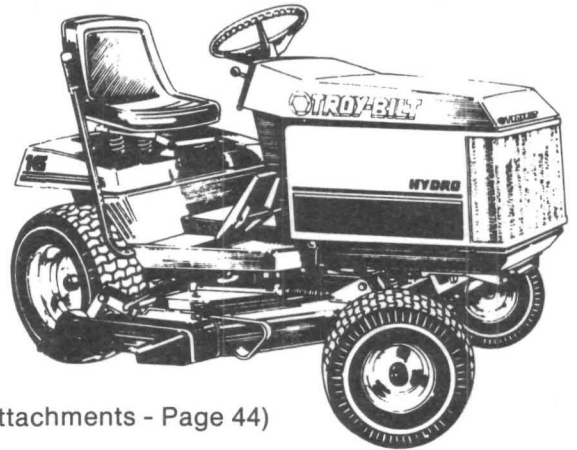
\*NOTE: Check Accessory or Sales Price List for availability.

# TRACTOR MODELS AND SPECIFICATIONS

## SUBURBAN SERIES

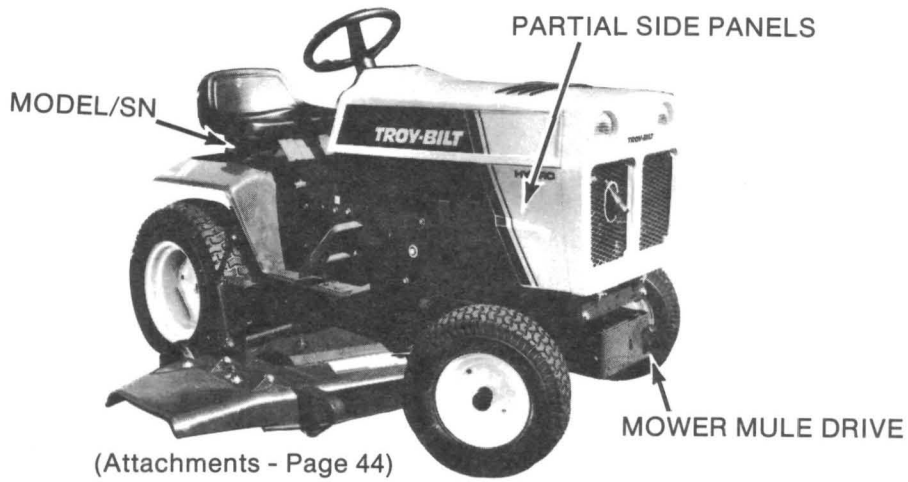


(Attachments - Page 44)



(Attachments - Page 44)

## MEDIUM FRAME



(Attachments - Page 44)

## SUBURBAN SERIES



(Attachments - Page 44)

## TRACTOR MODELS AND SPECIFICATIONS

SKU/ Model	Serial No.	Engine Model & Type	H.P.	Transmission					Ign.	Remarks
				Speeds	Eaton Hyd.*	Bolens	Peerless	Lube/Capacity		
<b>1989</b>										
1668R	B05010101 - B050199999	B & S 402447-1220-01	16		11	X		GF	X	(3)
3114GR	B03010101 - B030199999	B & S 400707-1205-01	14	5			X	AD	X	(2)
3114HR	B400100101 - B400199999	B & S 400707-1205-01	14		750		X	EG	X	(2)
3212GR	B010100101 - B010199999	B & S 281707-0127-01	12	5			X	AC	X	(1) (2)
3212HR	B020100101 - B020199999	B & S 281707-0127-01	12		750		X	EG	X	(2)
5118HR	B060200101/Up	Kohler M18QS-24599	18		11	X		GF	X	(3)
<b>1990</b>										
3016HR	B360100101 - B360199999	B & S 402707-0160-01	16		750		X	EG	X	
3016HRS	B370100101 - B370199999	B & S 402707-0160-01	16		750		X	EG	X	Sears
3214GR	B030100202 - B030199999	B & S 400707-1205-01	14	5			X	AD	X	
3214HR	B040100101 - B040199999	B & S 400707-1205-01	14		750		X	EG	X	
3214HRS	B040100101 - B040199999	B & S 400707-1205-01								
3312GR	B010200101/Up	B & S 281707-0127-01	12	5			X	AC	X	(1) (2)
3312GRS	B380100101/Up	B & S 281707-0127-01	12	5			X	AC	X	(1) (2) Sears
3312HR	B020100101/Up	B & S 281707-0127-02	12		750		X	EG	X	(2)
3312HRS	B390100101/Up	B & S 281707-0127-02	12		750		X	EG	X	(2)
5118HR	To/B060299999	Kohler M18QS-24599	18		11	X		GF	X	(3)
<b>1991</b>										
3312GR	To/B010299999	B & S 281707-0127-01	12	5			X	AC	X	(1) (2)
3312GRS	To/B380199999	B & S 281707 - 0127-01	12	5			X	AC	X	(1) (2) Sears
3312HR	To/B020199999	B & S 281707-0127-02	12		750		X	EG	X	(2)
3312HRS	To/B390199999	B & S 281707-0127-02	12		750		X	EG	X	(2) Sears
<b>1992</b>										
13025	130250100101/Up	Kohler CV12.5S/PS1259	12.5	5			X	AC	X	(1) (2)
13026	130260100101/Up	Kohler CV12.5S/PS1259	12.5	5			X	AC	X	(1) (2) Sears
13027	130270100101/Up	Kohler CV14S/PS1444	14		751		X	EG	X	(2)
13028	130280100101/Up	Kohler CV14S/PS1444	14		751		X	EG	X	(2) Sears
<b>1993</b>										
13025	XXXXXXXXXXXXX	Kohler CV12.5S/PS1259	12.5	5			X	AC	X	(1) (2)
13026	XXXXXXXXXXXXX	Kohler CV12.5S/PS1259	12.5	5			X	AC	X	(1) (2) Sears
13027	XXXXXXXXXXXXX	Kohler CV14S/PS1444	14		751		X	EG	X	(2)
13028	XXXXXXXXXXXXX	Kohler CV14S/PS1444	14		751		X	EG	X	(2) Sears

1 - This unit is equipped with a non-tilling transmission. - (Tiller must not be used.)

2 - I.C. Engine

3 - Engine Pressure Lube & Filter

\* - Eaton Model Number

A - Bentonite Grease (Tec. 788067)

B - Type F (Hydr)

C - 24 oz.

D - 36 oz.

E - 64 oz.

F - 8 qts.

G - SAE 20 Motor Oil (Hydr)

**TRACTOR ATTACHMENT INTERCHANGEABILITY\***

Description	SKU/ Model	3114GR	3016HR	1668HR	5118HR
		3212GR	3114HR		
		3214GR	3212HR		
		3312GR	3214HR		
		13025	3312HR		
		13026	13027		
			13028		
Bagging Attachment					
PowerPacker (F/30036S & 31036S)	14008	X	X		
	30936R	X	X		
PowerPacker Plus (F/30042S & 30048S)					
(Req. 30921, 30922 or 50922)	30917R	(2)	(2)	X	X
Cart Collector (Req. 30917)	30921R	(2)	(2)	X	X
2 Bag Hopper (Req. 30917)	30922R	(2)	(2)		
	50922R			X	X
Blade - 42" Mechanical Angle	14007	X	X		
	30242R	X	X		
- 42" Mechanical Angle	18305R			X	
- 54" Mechanical Angle (Req.51965)	19220R				X
Hitch - Sleeve Catagory	18330R			X	
- Sleeve Catagory	50961R				X
- 3 Point (Catagory "O")	51964R				X
Mower - 36" Side Discharge	14003	X	X		
	31036SR	X	X		
- 42" Side Discharge	14000	(2)	(2)		
	14054	(2)	(2)		
	30042SR	(2)	(2)		
- 48" Side Discharge	14024			X	
	18301SR			X	
- 48" Side Discharge	14026				X
	51048SR				
- 60" Side Discharge	51060SR				X
Mulching Attachment (F/36" Mowers)	14012	X	X		
	34500	X	X		
(F/42" & 48" Mowers)	14011	(2)	(2)	X	X
	14032	(2)	(2)	X	X
	34501	(2)	(2)	X	X
PTO Kit (F/Tiller & Snowthrower)	18318R			X	
Push Arm (F/Blade & Snowthrower)	51965R				X
Snowthrower - 38" Single Satage (Req. 18318)	14005	X	X		
	18311R			X	
- 38" Single Stage	30138R	X	X		
- 42" Single Stage (Req. 51965)	50142R				X
Tiller - 26" Rotary	14006	(1)	(1)		
	30326R	(1)	(1)		
- 33" Rotary (Req. 18318)	18322R			X	
- 33" Rotary	51333R				X
Tire Chains (F/20x8.00-10)	1745130	X	X		
(F/23x10.50-12)	1721585			X	
Wheel Weights (pr) 70 lbs. Rear Cast Iron	21741	(3)	(3)		
Wheel Weights (pr) 100 lbs. Rear Cast Iron	30902R	X	X	X	X

\*NOTE: Check Accessory or Sales Price List for availability.

X - Willfit without changes.

1 - Models 3212GR, 3312GR, 13025 & 13026 are equipped with a no till transmission. - (Tiller must not be used.)

2 - Not for models 3212G/HR or 3312G/HR. - (Marginal Power).

3 - For 8" wheels only.

## RECOMMENDED FLUIDS FOR HYDROSTATICS

Tractor SKU/Model	Eaton Model			Recommended Fluids
	750	751	11	
1668R			X	(1)
3016HR/S	X			(1)
3114HR	X			(1)
3212HR	X			(1)
3214HR/S	X			(1)
3312HR/S	X			(1)
5118HR			X	(1)
13027		X		(1)
13028		X		(1)

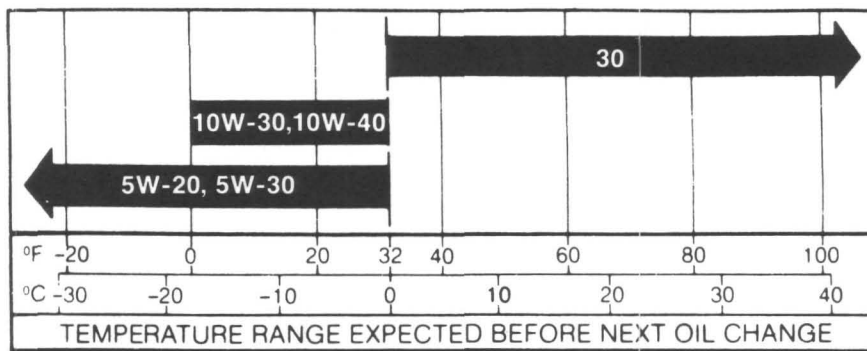
1 - Use SAE 20, API SC, SD, SE, SF or SG.

If the oil is to be changed from one type to another, the system must be completely drained and the oil filter replaced before the new oil is added.

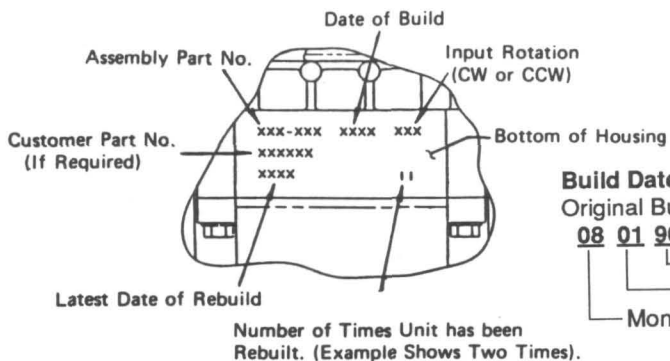
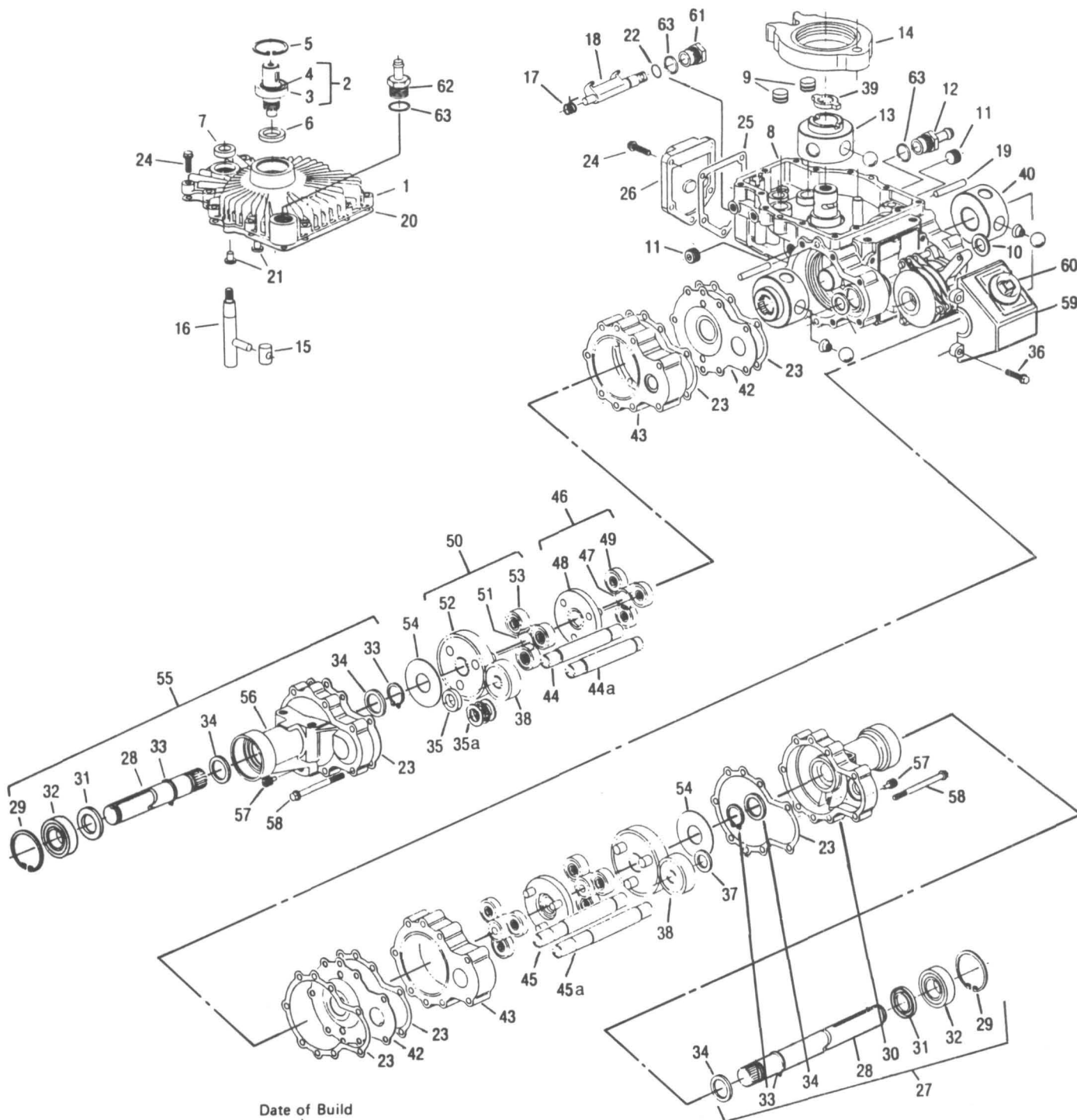
## ENGINE OIL RECOMMENDED SAE OIL VISCOSITY GRADES

Motor oil from any reputable manufacturer may be used winter or summer.  
**DO NOT USE SYNTHETIC OIL IN AIR COOLED GASOLINE ENGINES**

Use oil with an  
 API Classification  
 SC, SD, SE, SF OR SG



# EATON MODEL 750 BREAKDOWN



### Build Date Code Effective August 1, 1990

Original Build (example - 080190)

**08 01 90**

Month      Day      Year

Factory Rebuild (example - 0801901)

**08 01 90 1**

Month      Day      Year      No. Times Rebuilt



# EATON MODEL 750 PARTS LIST

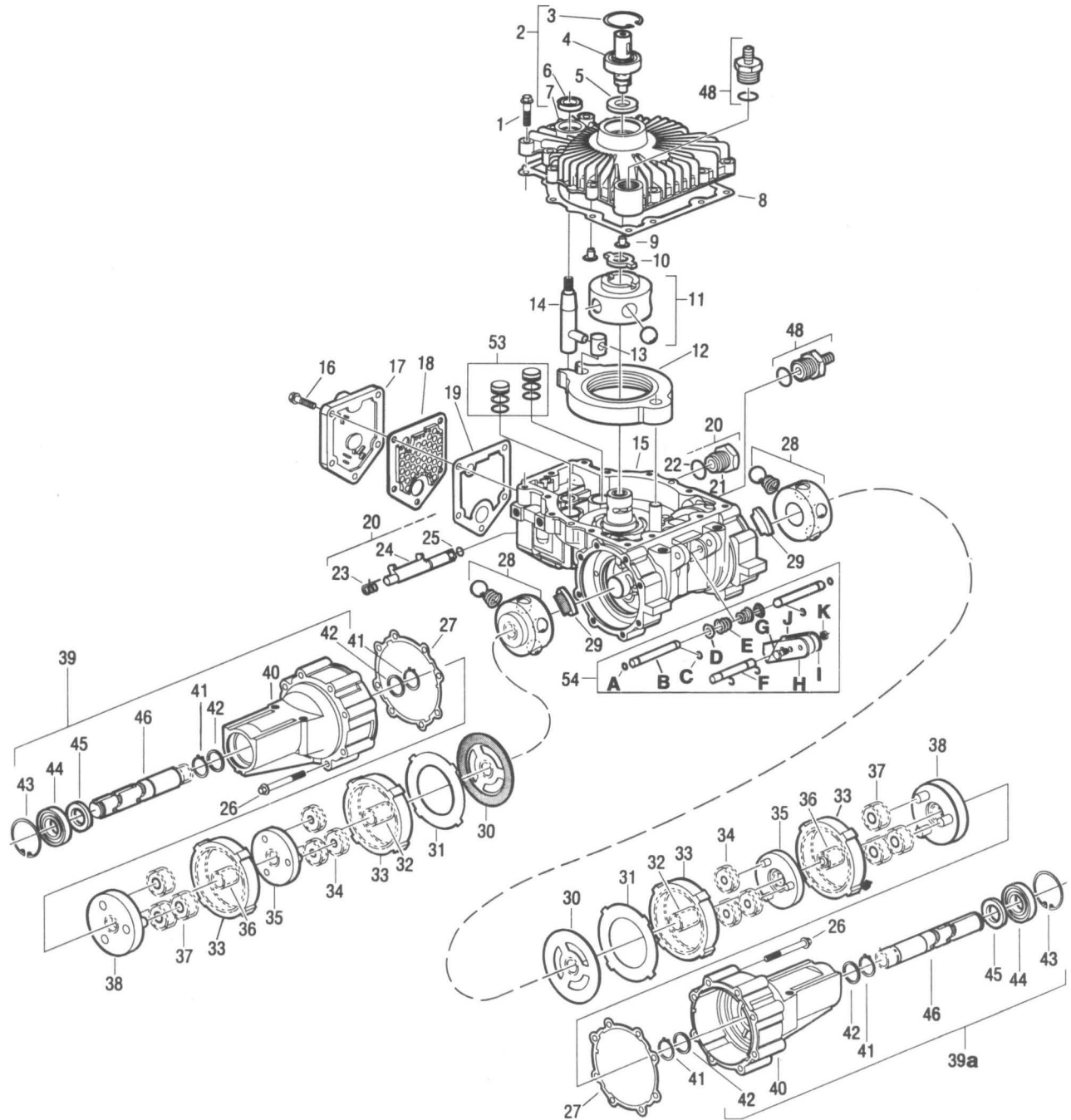
## SUBURBAN TRACTORS

REF. PART NO. NO.	DESCRIPTION	NO. REQ'D.	REF. PART NO. NO.	DESCRIPTION	NO. REQ'D.
1756053	Hydro. Assy. (1) .....	1	35 1757703	Spacer, (Thick-PB) .....	1
1760368	Hydro. Assy. (2) .....	1	35a 1757704	Washer, Thrust (DL/PB) .....	2
1 1757676	Cover, Subassembly (S/A) (1) ...	1	35a 1757705	Bearing, Thrust (DL/PB) .....	1
1761982	Cover, Subassembly (S/A) (2)	1	36 1757706	Screw, 1/4-20 Self Tap .....	4
2 1757677	Shaft Assy., Input, (S/A) (1) .....	1	37 1757707	Spacer (Thin-PB or DL/PB) ....	1
1761983	Shaft, Input, (S/A) (2) .....	1	38 1757708	Brake Gear .....	2
3 N/A	Bearing, Input Shaft (1) .....	1	39 1757709	Drive .....	1
N/A	Bearing, Input Shaft (2) .....	1	40 1757710	Motor Rotor-Ball(A & B S/A, 18T .....	2
4 N/A	Ring, Retaining, External (1) ....	1	41 1757713	Differential Lock/Parking Brake Assembly .....	1
N/A	Ring, Retaining, External (2) ....	1	42 1757714	Plate, Wear .....	2
5 1757372	Ring, Retaining, Internal .....	1	43 1757715	Ring gear, (A & B S/A,) 54T ....	2
6 1757373	Seal, Input Shaft (1) .....	1	44 1757716	Brake Shaft - A (PB) .....	1
1761984	Seal, Input Shaft (2) .....	1	44a 1757717	Brake Shaft - A (DL/PB) .....	1
7 1757374	Seal, Control Shaft .....	1	45 1757718	Brake Shaft - B (PB) .....	1
8 1757680	Housing, (S/A CW) .....	1	45a 1757719	Brake Shaft - B (DL/PB) .....	1
9 1757681	Piston, Dampening, (S/A) .....	2	46 1757720	Planetary Gear, First (A & B S/A)	2
10 1757682	Seal, Brake Shaft .....	2	47 1757721	Sun Gear, First, 18T .....	2
11 1757683	Plug, Socket Pipe .....	2	48 1757722	Primary Carrier, (A & B S/A, 18T .....	2
12 1757684	Adapter, Reservoir, 3/8 I.D. Tube	1	49 1757723	Plnt Gear, (A & B S/A, First, 18T .....	6
13 1757685	Pump Rotor-Ball, (S/A) .....	1	50 1757724	Planetary Gear, Second (A & B S.A) .....	2
14 1757686	Cam Ring, (S/A) .....	1	51 1757725	Sun Gear, Second, 18T .....	2
15 1757687	Insert .....	1	52 1757726	Secondary Carrier, (A & B S/A)	2
16 1757688	Control Shaft, (S/A) .....	1	53 1757727	Plnt Gear, (A & sc B S/A, Second, 18T .....	6
17 1757375	Spring, Dump Valve .....	1	54 1757728	Washer, Thrust .....	2
18 1757376	Bracket, Dump Valve .....	1	55 1757729	Axle Housing, (S/A - A) .....	1
19 1757689	Dowel .....	4	56 1757732	Housing, Axle - A .....	1
*20 1757690	Gasket, Cover .....	1	57 1757736	Plug, Magnetic .....	2
21 1757691	Button .....	2	58 1757737	Screw, 1/4-20 Hex Flange .....	14
22 1757377	O-Ring Dump Valve Bracket ....	1	59 1757738	Cover, (PB or DL/PB) .....	1
*23 1757692	Gasket, Axle Housing .....	6	60 1757739	Boot, Dust .....	1
24 1757693	Screw, 1/4-20 Hex Flange .....	18	61 1757740	Nut, Dump Valve .....	1
*25 1757378	Gasket, Valve Cover .....	1	62 1757741	Adapter, Reservoir, 3/8 I.D. Tube	1
26 1757694	Cover, Valve .....	1	63 1757381	O-Ring .....	3
27 1757695	Axle Housing, (S/A-B) .....	1	NI 1757380	Gasket Overhaul Kit (Contains parts indicated by *)	
28 1757696	Shaft, Axle .....	1			
29 1757697	Retaining Ring, Internal .....	1			
30 1757698	Housing, Axle-B .....	1			
31 1757699	Seal, Axle Shaft .....	1			
32 1757700	Bearing, Axle Shaft .....	1			
33 1757701	Retaining Ring, External .....	2			
34 1757702	Washer, Thrust .....	2			

**\*NOTE: Please check availability before ordering parts.**  
**Only certain parts are carried at this time.**  
**N/A - Not Available.**

**1 - .75 diameter input shaft. (Model 750-009)**  
**2 - .669 diameter input shaft. (Model 750-024)**

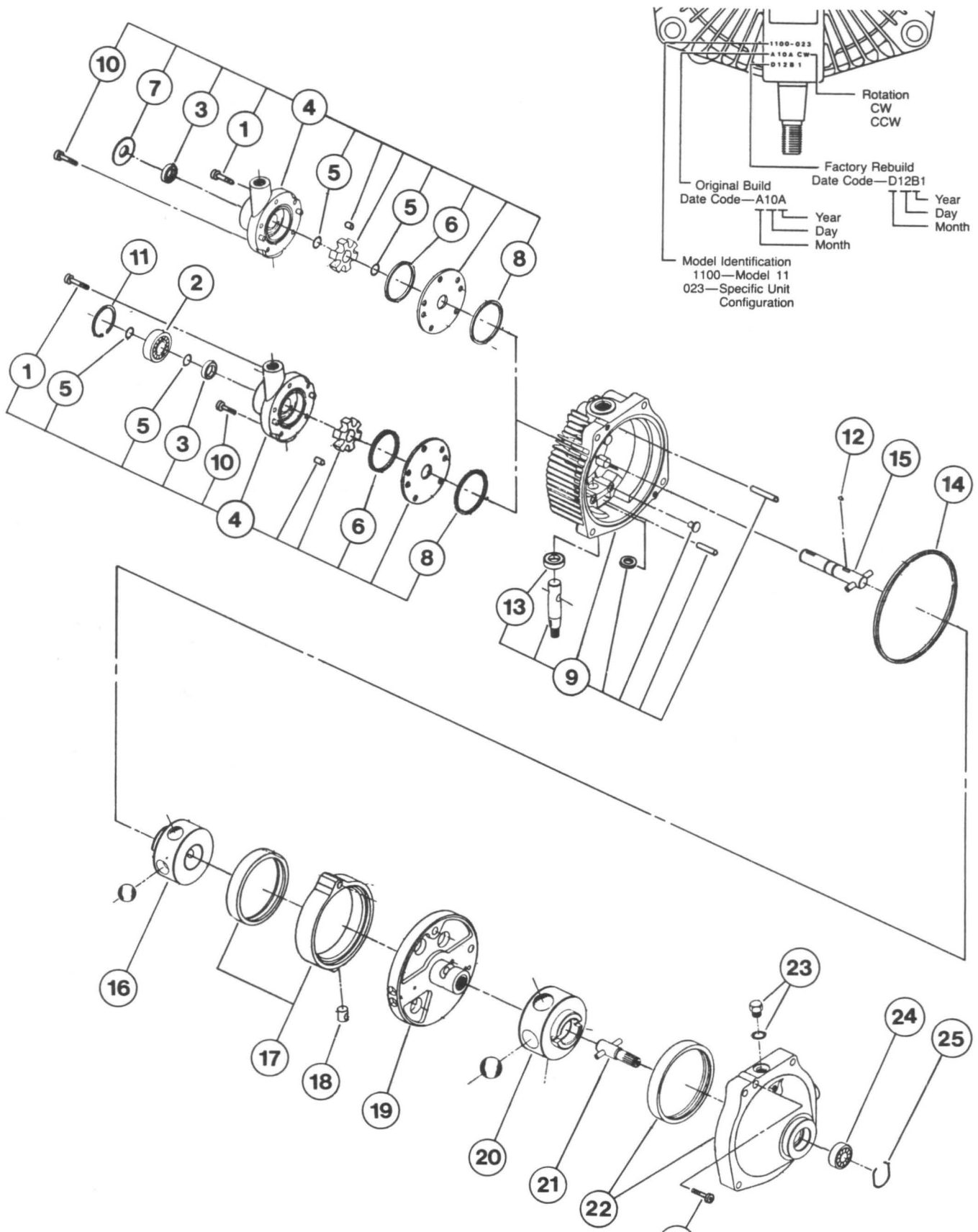
# EATON MODEL 751 BREAKDOWN



**EATON MODEL 751 PARTS LIST**  
**SUBURBAN TRACTORS**

Ref #	Part #	Description	Qty.	Ref #	Part #	Description	Qty.
1		Screw, 1/4-20 Self Tap .....	13			Gear, Ring 57T .....	4
2		Cover (S/A) .....	1	34		18T Planet Gear (S/A) First .....	6
3		Ring, Retaining, Internal .....	1	35		18T Primary Carrier (S/A).....	2
4	1760892	Shaft, Input (S/A).....	1	36		18T Sun Gear, Second .....	2
5	1760893	Seal, Input Shaft.....	1	37		18T Plnt Gear (S/A) Second.....	6
6	1757374	Seal, Control Shaft .....	1	38		Secondary Carrier (S/A).....	2
7		Cover .....	1	39		Axle Housing (S/A) A-Side.....	1
8		Gasket, Cover .....	1	39a		Axle Housing (S/A) B-Side.....	1
9		Button.....	2			Magnet (S/A).....	2
10		Drive.....	1	40		Housing, Axle.....	2
11		Pump Rotor/Ball (S/A).....	1	41		Ring, Retaining, External .....	4
		Pump Rotor/Ball/Pin (S/A).....	1	42		Thrust Washer .....	4
12		Cam Ring (S/A) .....	1	43		Ring, Retaining, Internal .....	2
13		Insert.....	1	44	1757700	Bearing, Ball .....	2
14		Control Shaft, External Thrd. ....	1	45		Seal, Radial Lip.....	2
15		Housing (S/A).....	1	46		Shaft, Axle—A-Side .....	1
16		Screw, 1/4-20 Hex Flange.....	5			Shaft, Axle—B-Side .....	1
17		Cover, Valve .....	1	48		375 Str. Fitting/O-ring (S/A).....	A/R
18	1764020	Filter (Internal).....	1	53		Piston, Dampening .....	
19	1764021	Gasket.....	1			Piston (S/A) .....	2
20		Dump Valve Parts .....	1			Piston (S/A) .....	2
21		Nut, Dump Valve Fitting .....	1	54		Brake Lever Parts .....	
22		Seal, O-ring .....	1	A		Quad Seal .....	2
23		Spring, Dump Valve .....	1	B		Rod, Push.....	2
24	1757376	Bracket, Dump Valve .....	1	C		E-Ring.....	4
25	1757377	Seal, O-ring .....	1	D		Spring Base (S/A).....	2
26		Screw 5/16 Hex Flange.....	16	E		Spring, Conical.....	2
27		Gasket Axle Housing .....	2	F		Shaft, Brake .....	1
28		18T Motor Rotor/Ball (S/A) .....	2	G		Screw, Cap, Hex.....	1
29		Pad, Friction (S/A).....	2	H		Lever, Brake RH .....	1
30		Plate, Reaction.....	2	I		Lever, Brake LH.....	1
31		Plate, Backup.....	2	J		Shim .....	A/R
32		18T Sun Gear First .....	2	K		Nut, Hex, Lock.....	1
33		Gear, Ring 54T .....	4				

# EATON MODEL 11 BREAKDOWN



## EATON MODEL 11 PARTS LIST

Ref. No.	Part No.	Description	No. Req.	5100 Series	Med Frame Series
	1745147	Hydro Ass'y .....	1	X	
	1743861	Hydro Ass'y, use 1745147 .....	1		X
1	Buy Local	Socket Hd. Cap Screw 5/16-18 x 1-3/4 (Included with Ref. 4) .....	1	X	X
2	N/A				
3	1724376	Oil Seal .....	1	X	X
4	1744188	Charge Pump Kit (Includes Ref. 1, 3, 5, 6, 7, 8, 10 & 12) .....	1	X	X
5	1724375	Snap Ring .....	1	X	X
6	1744155	Sq. Seal Ring .....	1	X	X
7	1724377	Grass Shield .....	1	X	X
8	1744157	Sq. Seal Ring .....	1	X	X
9	1744154	Cover Sub Ass'y. (Includes Ref. 13) .....	1	X	X
10	Buy Local	Socket Hd. Cap Screw 5/16-18 x 1-1/4 (Included with Ref. 4) .....	6	X	X
11	N/A				
12	1744159	Drive Pin .....	1	X	X
13	1724376	Oil Seal .....	1	X	X
14	1744185	Square Seal Ring .....	1	X	X
15	1744160	Input Shaft Sub Ass'y (Keyed) .....	1	X	X
16	1744164	Pump Rotor & Ball Ass'y .....	1	X	X
17	1744184	Cam Ring Ass'y .....	1	X	X
18	1744176	Cam Ring Insert .....	1	X	X
19	1744166	Pintle Ass'y. (Includes internal parts) .....	1	X	X
20	1744177	Motor Rotor & Ball Sub Ass'y .....	1	X	X
21	1744010	Output Shaft Sub Ass'y .....	1	X	X
22	1744180	Body Ass'y (Includes Ref. 21, 24, 25) .....	1	X	X
23	1744179	O-Ring Plug Sub Ass'y .....	1	X	X
24	1104440	Ball Bearing (Output) .....	1	X	X
25	1724380	Retaining Ring .....	1	X	X

## PEERLESS TRANSMISSIONS AND DIFFERENTIALS

Troy-Bilt SKU/Model	Peerless Model	Service No.	Troy-Bilt SKU/Model	Peerless Model	Service No.
<b>SNOWTHROWERS</b>					
5210R/S	700-005	None	3212GR	920-011A	794455
42000	700-005	None		930-023	None
<b>TRACTORS</b>					
3114GR	801-018C	794365	3214GR	801-018C	794365
			3312GR/S, 13025, 13026	920-011A	794455
				930-023	None

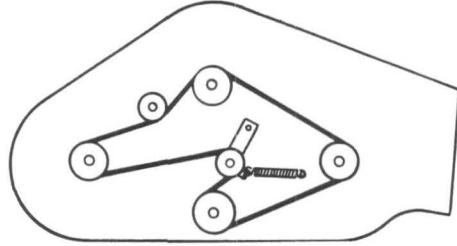
### BELT DIAGRAM AND V-BELT NUMBER

#### LOCATE MOWER MODEL AND CHECK DIAGRAM CALLOUT FOR BELT DIAGRAMS

SKU/ Model	Size	Dia- Gram	Mower V-Belt	Drive Number	Blade
14000	42"	F	1760059	1760958	1736560
14003	36"	D	1746833		NOTE
14054	42"	F	1760959	1760958	1765542
18301SR	48"	B	1736903	1741577	1738571
30042SR	42"	A	1764007		1736560
31036SR	36"	D	1746823		NOTE
51048SR	48"	C	1750842		1726138
51060SR	60"	E	1748274		1738742

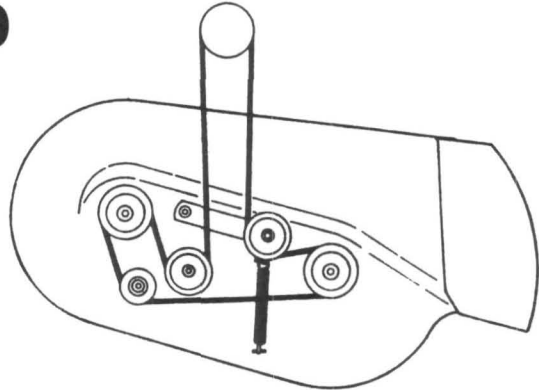
NOTE: W/O PowerPacker 1747640  
with PowerPacker 1748302 L.H. 1748303 R.H.

**C**



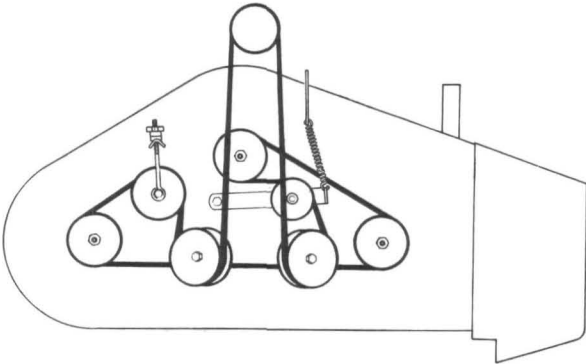
MODEL 51048SR

**D**



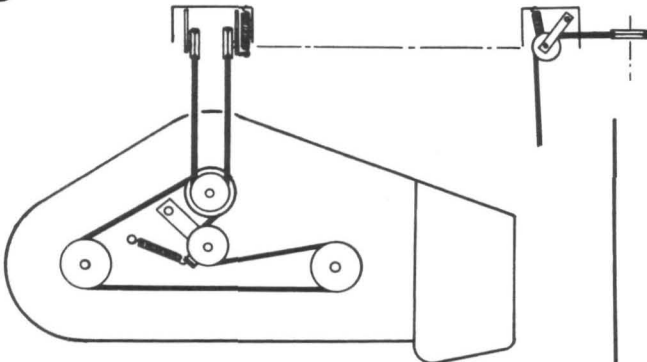
MODEL 31036SR, 14003

**A**



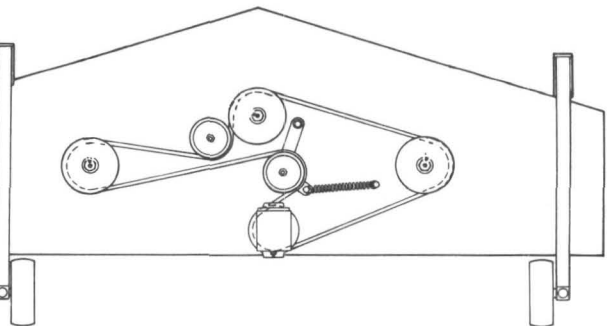
MODEL 30042SR

**B**



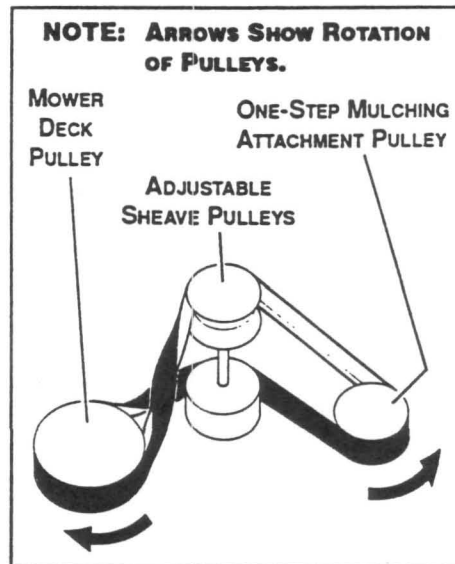
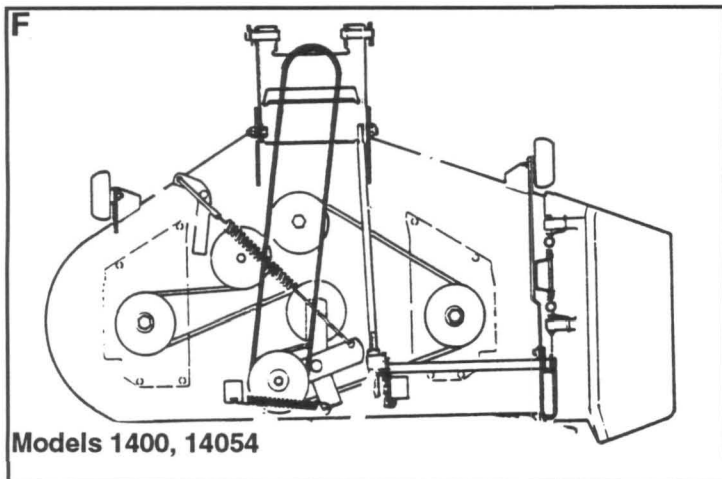
MODEL 18301SR

**E**

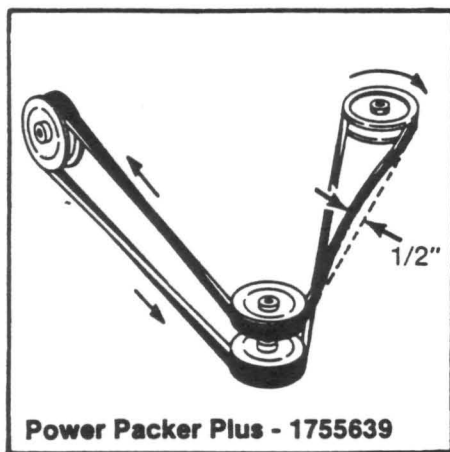


MODEL 51060SR

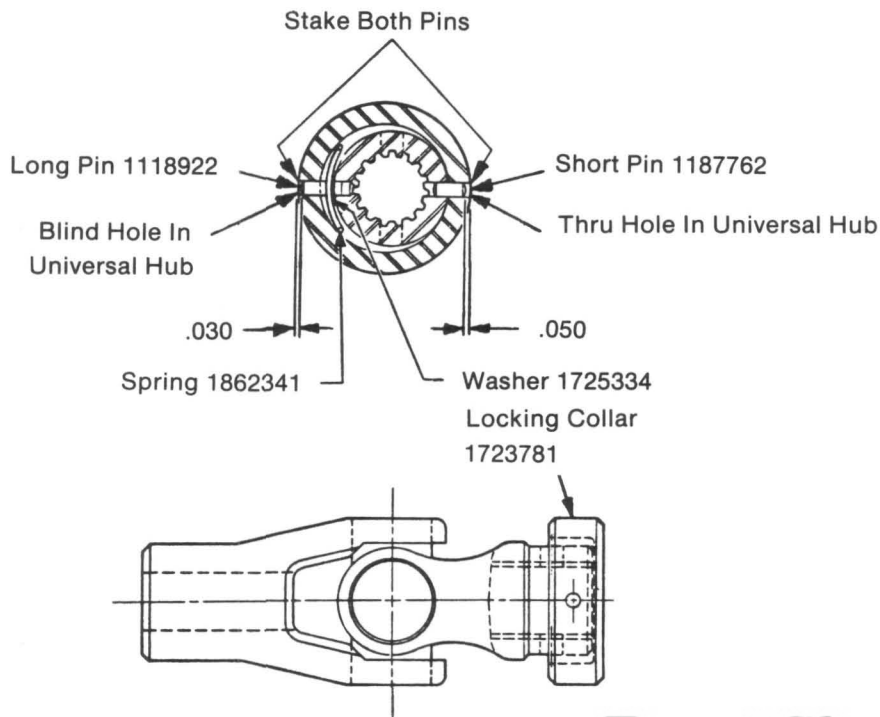
## BELT DIAGRAMS (CONT'D)



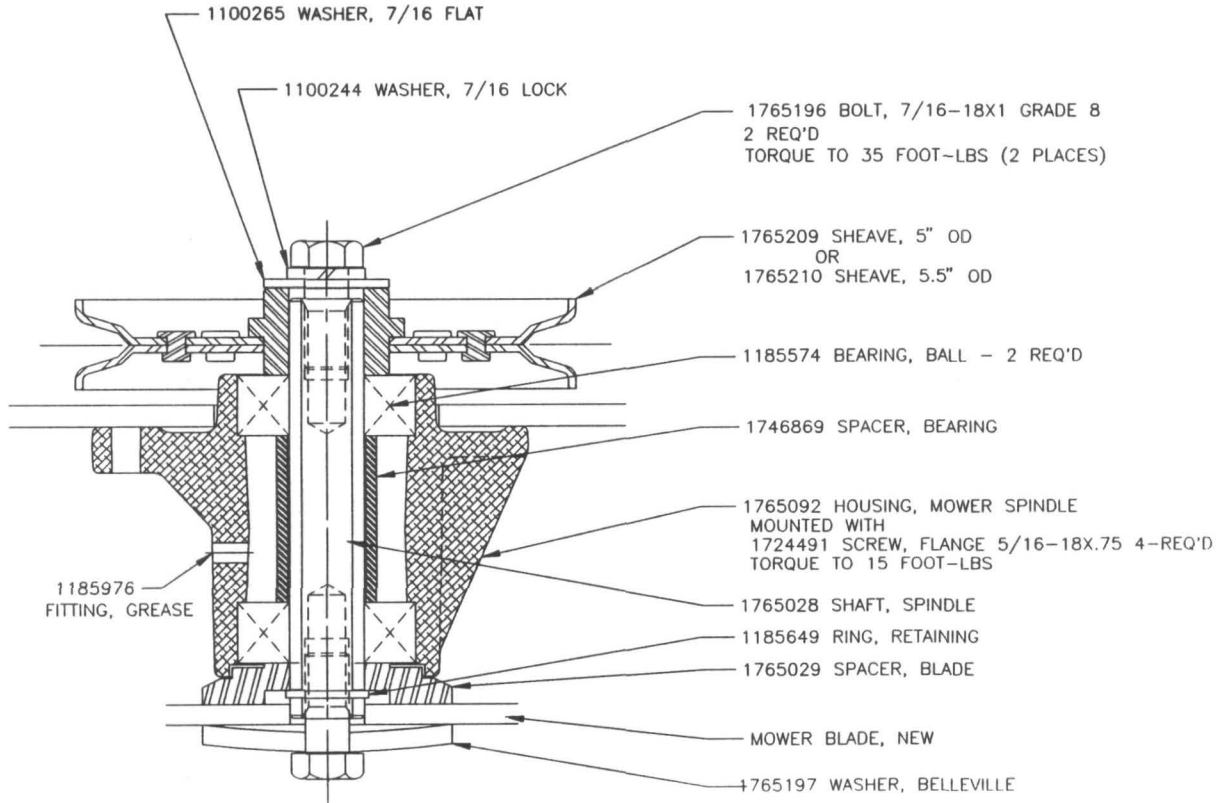
**GRS - 1761281 (36" Deck)  
1761224 (42" & 48" Decks)**



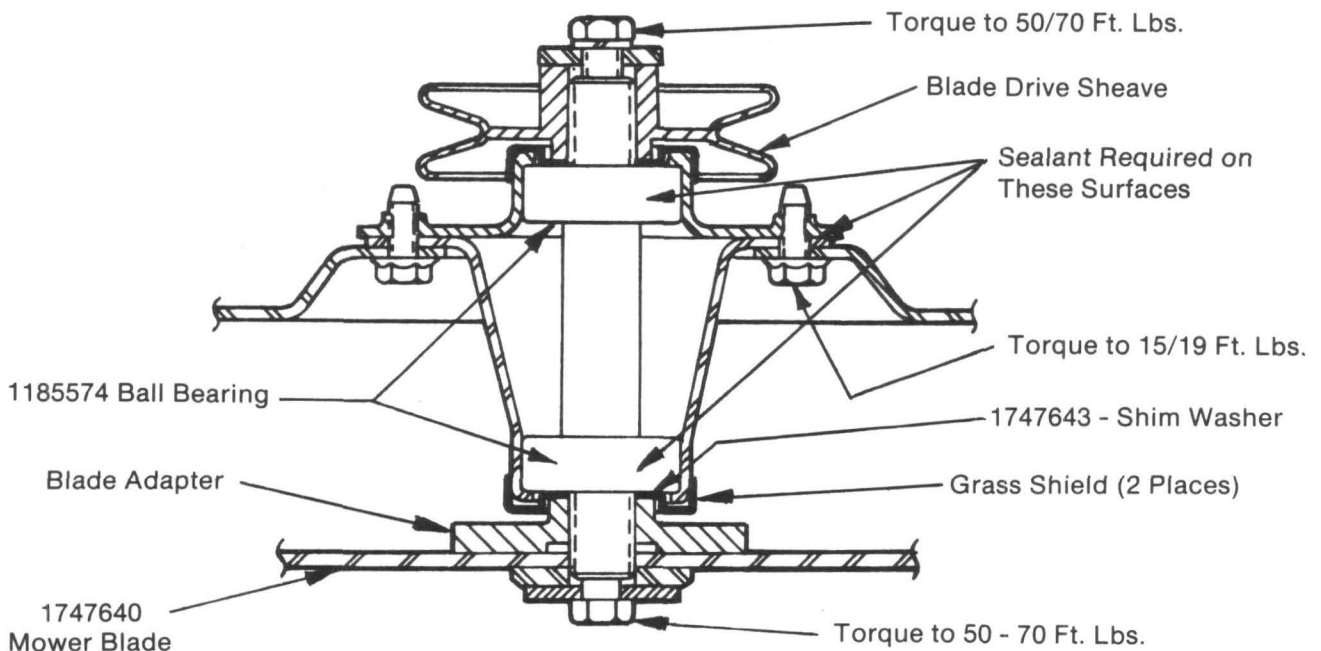
## PTO QUICK-LATCH UNIVERSAL LOCKING COLLAR



**MOWER SPINDLE ASSEMBLIES**  
**MODEL 14054**

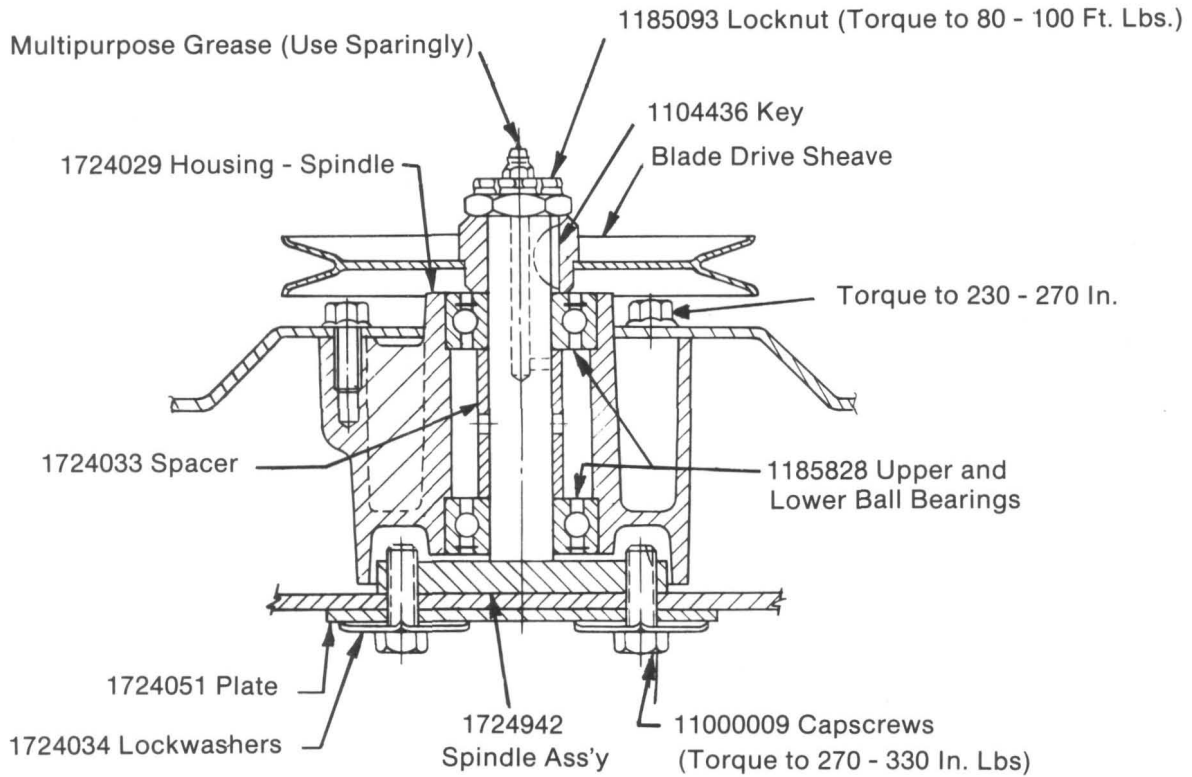


**MOWER SPINDLE ASSEMBLY**  
**MODELS 14003, 31036SR**

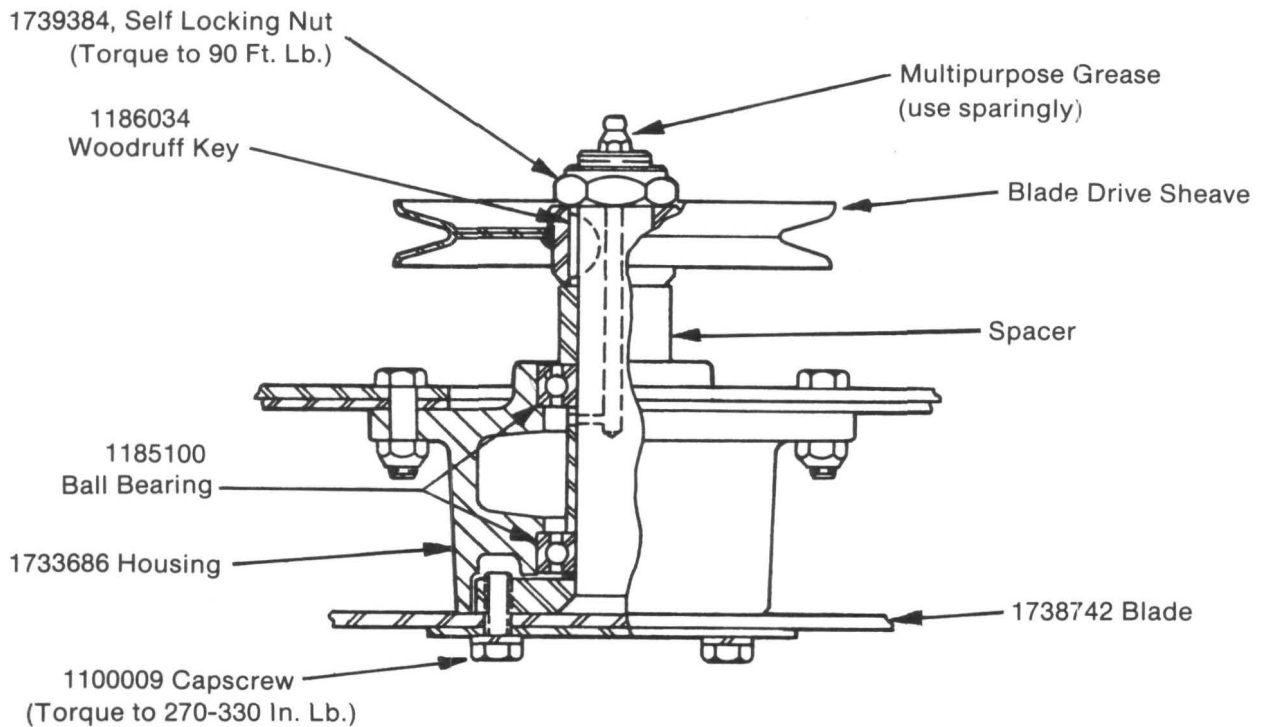




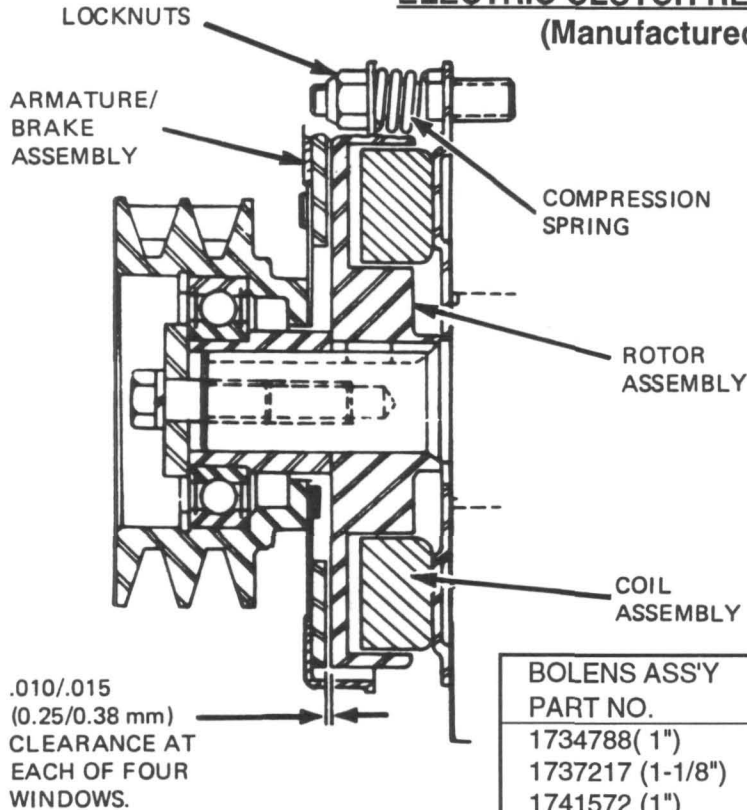
**MOWER SPINDLE ASSEMBLIES (CONT'D)**  
**MODELS 1400, 30042SR, 51042SR & 51048SR**



**MODEL 51060SR**



## ELECTRIC CLUTCH REPLACEMENT PARTS (Manufactured by Ogura)



The Ogura clutch is normally identified by the pulley, which is machined versus stamped. The clutch also has the name stamped on the back of the coil assembly.

BOLENS ASS'Y PART NO.	FIELD COIL ASS'Y	BALL BEARING
1734788 (1")	1754155	1754156
1737217 (1-1/8")	1754153	1754152
1741572 (1")	1754154	1754156
1744401 (1-1/8")	1754151	1754152
1745480 (1-1/4")	1754153	1754152
1747059 (1-1/4")	1754151	1754152

### CLUTCH ADJUSTMENT

Once the clutch/brake has been installed, the clutch portion requires no further maintenance. The unit never requires lubrication.

The brake portion may require readjustment periodically depending upon unit usage. This can be accomplished as follows:

Position a .015" (0.38mm) thick shim in each slot (A) (4) in brake. Tighten the (4) locknuts until they just contact brake flange. (**CAUTION:** Do not over torque locknuts as damage to brake flange may result.)

Turn clutch/brake off and

remove (4) shims. Recheck gap through the slots provided. A minimum of .010" (0.25mm) and a maximum of .015" (0.38mm) should be maintained.

If oil or grease contaminates clutch working surfaces, remove with a cleaning fluid such as alcohol. Ammonia is an acceptable substitute. With engine off, pour a generous quantity of cleaning fluid between working surfaces.

If the clutch/brake has not been used over a long period of time, the following procedure is recommended prior to its use.

- a. Position tractor in neutral position.

- b. Start tractor engine, and put throttle in fast position.
- c. Turn clutch/brake switch on and off six times, engaging and disengaging driven attachments.

**NOTE: ALLOW ENGINE DRIVEN ATTACHMENTS TO COME TO A COMPLETE STOP BETWEEN ON-OFF CYCLES.**

The clutch/brake is now ready for continuous, trouble-free duty.

For further information refer to the individual Service Repair Manual.

## SERVICE BULLETINS

### NUMBER

TB6-20-90  
Vol. 1/4

TB6-20-90  
Vol. 1/6 & 1/7

T101

T102

T103

379

380

381

### SUBJECT

Small Frame Tiller Transmission Leaks

Tecumseh Gas Caps - Cultivators & Brushcutters

Service Door - Jr. Tomahawk

Kit Switch - 15016 Super Tomahawk

PTO Horse Tiller Bearing Failure

Mulching Mower Height Adjustment

1990 Mulching Mower Gas Tank Leak

GRS Gauge Wheel Kit

## NEWS LETTERS

### DATE

4/29/87

2/13/91

7/8/92

### SUBJECT

PTO Horse Transmission Cover

Snowthrowers  
Mulching Mowers  
Suburban Tractors  
Dura Trac

Mulching Mowers  
Rear Engine Riders  
Troy-Bilt Chipper/Vacs  
Suburban Tractors  
Obsolete Wholegoods

## MISCELLANEOUS PART NUMBERS

### PAINT

1900706 Red ..... 13 oz. Spray  
1900924 Black ..... 13 oz. Spray

### LUBRICANTS

1719650 Hydrostatic Oil..... 1 Gal.  
1738157 Transmission/Hydraulic Oil  
(Benzoil) ..... 1 Gal.  
1360A SAE 140 Gear Oil ..... 2 qt.

### WALK BEHIND MOWERS

1733251 Charger  
1755565 Drive Belt  
1732215 Exhaust Deflector, B & S 4HP  
1732216 Exhaust Deflector, B & S 3-1/2HP  
1731986 Mulching Mower Grass Bag  
1760020 20" Mulching Mower Blade  
1755990 22" Mulching Mower Blade

### ROTARY TILLERS

2100 Belt Adjustment Gauge - Horse  
60070 Drive Belt - Cultivator Plus  
55037 Drive Belt - Tuffy  
50028 Drive Belt - Junior, Pony I  
50134 Drive Belt (Rev.) - Junior II  
50161 Drive Belt (Fwd.) - Junior II  
11018 Drive Belt (Set) - Junior III  
11516 Drive Belt (Set) - OPC Junior, OPC Pony  
20402 Drive Belt (Set) - Pony, Super Pony, Pony II  
4922 Drive Belt (Set) - Pony III, Pony IV, Pony V  
11019 Drive Belt (Set) - Econo Horse, OPC Econo  
1128 Drive Belt (Set) - Horse I, Horse II  
9245 Drive Belt - Horse III, OPC Horse

### BRUSHCUTTER

H212093 Monofilament Head, Two-Line, Complete  
H212090 Blade, Tri-Kut® 8"  
H212091 Blade, Brush 9"

### WALKING SNOWTHROWERS

1735625 Auger Shear Bolts

### SPRAYERS

11402 Battery Charger  
10833 Measuring Cup, 8 oz.  
W33500079 Inline Strainer, 40 mesh

### TRACTORS & ATTACHMENTS

1726213 Repair Kit, Hydraulic Valve  
Medium Frame Tractors (2 Req.)  
1737386 2000 PSI Pressure Gauge Kit  
1740023 Mower Mule Drive Assy  
Medium Frame Tractor  
1744918 Gearbox Assy. for 5100 Series Mowers

1751432 Wheel Weight "J" Bolts

### BATTERIES

9092B Tomahawk, Horse  
96512 Econo, Pony  
9234 Junior  
1756550 Mulching Mower  
1752840 5100, ST Series, Med Frame  
10815 Sprayer

### MISCELLANEOUS PRODUCTS

1806 Tiller Bearing/Seal Installation Kit Complete  
5003 Safety Goggles, Soft-Sided, Universal Fit  
11523 Tamper - Junior Tomahawk  
11524 Tamper - Tomahawk I, II & III,  
Super Tomahawk I, II, III, IV & V  
11525 Tamper - Tomahawk IV & V,  
Super Tomahawk VI & VII

## MISCELLANEOUS PART NUMBERS

### CHIPPER/SHREDDER

#### FLAILS

<u>Model</u>	<u>Part #</u>
All except 3HP Junior	1900102
3HP Junior only	4604

#### V-BELT

<u>Model</u>	<u>Serial # Range</u>	<u>Part #</u>
3.5HP	W300100-Up	97133 (Repl. W5L290 & W5L290SPL)
4HP	W400100-Up	97133 (Repl. W5L290 & W5L290SPL)
5HP	840000-843153	W5L350
5HP	W5022631-Up	97133 (Repl. W5L290 & W5L290SPL)
8HP	W800000-W805024	W5L280
8HP	W805025-Up	97133 (Repl. W5L290 & W5L290SPL)
PTO	ALL PTO MODELS	9036

#### CENTRIFUGAL CLUTCH

<u>Model</u>	<u>Serial # Range</u>	<u>Part #</u>
5HP	840000-Up	W912P40B710
	W500000-W502630	W912940B710
8HP	W801000-W805024	W916P40B710

#### MANUALLY OPERATED CLUTCH

If your Chipper/Shredder has a clutch lever, please see your Parts Catalog for information.

#### CHIPPER KNIFE AND HARDWARE

<u>Model</u>	<u>Serial # Range</u>	<u>Blade Part #</u>	<u>Hardware Part #</u>
3.5HP	W300100-Up	1900104	(3) 9592 Bolt (3) 03207 Nut
4HP	W400100-Up	1900104	(3) 9592 Bolt (3) 03207 Nut
5HP	840000-Up	1900104	(3) 9696 Bolt
	W500000-W507172	1900104	(3) 9696 Bolt
5HP	W507173-Up	1900104	(3) 9592 Bolt (3) 03207 Nut
8HP	W800000-W817649	1900104	(3) 9696 Bolt
8HP	W817650-Up	1900104	(3) 9592 Bolt (3) 03207 Nut
PTO	ALL MODELS	1900104	(3) 9696 Bolt
3HP	B010000-Up	1757037	(2) 1756959

(kit #11486 incl. hardware)

#### BEARING AND SHAFT KITS

<u>Model</u>	<u>Serial # Range</u>	<u>Bearing Kit Part #</u>	<u>Shaft Kit Part #</u>	<u>Shaft/Bearing Part #</u>
3.5HP	W300100-Up	WBK100	WSK100	
4HP	W400100-Up	WBK100	WSK400	
5HP	Shredder Only			WSBK100
5HP	Chipper/Shredder			
	840000-850808			WSBK200
	W500000-W503995			WSBK200
	W503996	WBK200	WSK200	
	W505871-W507172	WBK100	WSK300	
	W505872-Up	WBK100	No Shaft Kit	
8HP	Chipper/Shredder			
	W800000/W808959			WSBK200
	W808960-W814315	WBK200	WSBK200	
	W814316-W817649	WBK100	WSK300	
	W817650-Up	WBK100	No Shaft Kit	
PTO	W100000-W101840			WSBK200
	W101841-W102154	WSBK200	WSK200	
	W102155-Up	WBK100	WSK300	



Notes:

---

---

---

---

---

---

---

---

---

---

---

---

---

---

---

---

---

---

---

---

---

---

---

---

---

---

---

---

---

