

1995



Garden Way Inc. Service Seminar Book



Bolens® / **TROY-BILT**®

Products

For Technical Assistance Call: 1-800-274-5527
BrentChalmers.com

INTRODUCTION

The Service Book has been assembled to provide dealer personnel with a convenient source of answers to common questions relating to Garden Way products. A majority of the subjects were also within the content of our Dealer Service training seminars. Therefore, you may find this a review of topics discussed at the seminars, while dealers unable to attend can also benefit through the availability of this important information.

All Troy-Bilt branded products are identified by sku/model and serial number (example: 130660100101). Products are also listed by name (example: Horse).

Bolens branded products are identified by model and type/serial number. Older Products are listed by model and type (example: 8337-01). Since the 1970's products are identified by model and serial number (example: 3212G-0100101 or 130240100101). For the purpose of quick reference, only the first two digits of the serial number are used throughout this book (example: 3212G-01). Always know the model and serial numbers before calling Technical Service or ordering parts. This will help prevent receiving incorrect information or wrong parts. Serial number changes indicate changes in the product.

The first section of this book relates to Bolens branded products as listed on the following page in the Bolens TABLE OF CONTENTS.

Troy-Bilt products are located in the second section as listed on the second page in the Troy-Bilt TABLE OF CONTENTS.

For factory phone information, refer to contacts below. Please have as much information as possible whenever you call the factory for assistance. Your dealer name, account number and phone number are important, especially for the factory to return phone calls.

We hope this information will prove helpful to you. The time spent in review will likely be paid back quickly through better and more efficient service.

FACTORY FUNCTIONS & CONTACTS

Technical Service

Garden Way - Pt. Washington, WI
1-800-274-5527
414-284-5521
Fax#: 1-414-284-4319
Fax#: 1-800-241-2442

Product Technical/Warranty/Parts Assistance
Ext. 1580

Warranty

Garden Way - Pt. Washington, WI
1-800-274-5527

Warranty Details

Parts

Garden Way - Port Washington, WI
1-800-274-5527
Fax#: 1-414-284-1588
Fax#: 1-800-241-2442

Parts Orders/Inquiries
Ext. 1590

Dealer Support Group

Garden Way - Troy, NY
1-800-843-2496

Sales/Wholegoods
Marketing
Advertising

Bolens®

TABLE OF CONTENTS

	<u>PAGE</u>
<u>WALK BEHIND MOWERS</u>	
Mulching Mower Gearcase	6
Combo Mower Belt Diagram	7
Safety Specifications for Power Lawnmowers	7
Wheels & Tires	8
<u>ROTARY TILLERS</u>	
<u>MULCHER/CHIPPERS AND CHIPPER/VACS</u>	
Clutch Assemblies	15
<u>WALK BEHIND SNOWTHROWERS</u>	
<u>RIDING MOWERS AND FRAME STEER TRACTORS</u>	
Riding Mower Spindle Assemblies	23
Riding Mower Belt Replacement	25
Rear/Frame Steer Steering Adjustment	26
<u>TRACTOR MODELS, YEARS & SPECIFICATIONS</u>	
Transmission Fluids	40
Diesel Repair Specifications	40
Electric Clutch Troubleshooting	41
Hydro Transmissions	41
<u>TRACTOR ATTACHMENT INTERCHANGEABILITY</u>	
PTO Universal Joint	57
Belt Diagrams, Numbers & Blades	85
Mower Spindles	89
<u>MISCELLANEOUS INFORMATION</u>	
Belt Diagrams & Sizes	92
Tire, Chain & Tube Part Numbers	96
Peerless Transmissions	97
Miscellaneous Part Numbers	99
Service Letters & Bulletins	101

WALK BEHIND MODELS AND SPECIFICATIONS

MODEL	ENG. MODEL & TYPE	HP	IN. CUT	PUSH	SELF PROP.	ELEC. START	MULCH MOWER	REAR BAGGER	2 CYCLE
1969									
8318-01	B & S 92908-0850-01	3.5	18	X			X		
8337-03	La. LAV35-40159H	3.5	22		X		X		
8338-01	Tec. AV600-641-05	3.5	22	X			X		X
8339-01	Tec. LAV35-40491H	3.5	22	X			X		
1970									
8318-01	B & S 92908-0850-01	3.5	18	X			X		
8340-01	Tec. LAV35-40491H	3.5	22	X			X		
8341-01	Tec. LAV35-40510H	3.5	22		X		X		
8342-01	Tec. LAV35-40507H	3.5	22		X	X	X		
8343-01	Tec. LAV40-50263B	4.0	22		X		X		
8344-01	Tec. LAV40-50264B	4.0	22		X	X	X		
1971									
8318-01	B & S 92908-0850-01	3.5	18	X			X		
8340-02	Tec. LAV35RM-40491H	3.5	22	X			X		
8341-03	Tec. LAV35RM-40510H	3.5	22		X		X		
8342-03	Tec. LAV35RM-40159H	3.5	22		X	X	X		
8343-02	Tec. LAV40IA-50263B	4.0	22		X		X		
8344-02	Tec. LAV40IA-50264B	4.0	22		X	X	X		
1972									
8418-01	Tec. LAV35-40667K	3.5	18	X			X		
8440-01	Tec. LAV35-40668K	3.5	22	X			X		
8444-01	Tec. LAV40-50298C	4.0	22		X	OPT.	X		
1973									
8418-02	Tec. LAV35RM-40667K	3.5	18	X			X		
8440-02	Tec. LAV35RM-40668K	3.5	22		X		X		
8444-02	Tec. LAV40RM-50298C	4.0	22		X	OPT.	X		
8620-01	Tec. LAV40RM	4.0	22	X			X		
1974									
8518-01	Tec. LAV35RM-40667K	3.5	18	X			X		
8535-01	Tec. LAV35RM-40668K	3.5	22	X			X		
8544-01	Tec. LAV40RM-50348C	4.0	22		X		X		
8545-01	Tec. LAV40RM-50349C	4.0	22		X	X	X		
9544-01	B & S 110988-0293-01	4.0	22		X		X		
1975									
7432-01	Tec. AV520-670-81	3.0	18	X			INDUST.		X
7444-01	Tec. LAV40IA-50365D	4.0	18	X			INDUST.		
7454-01	Tec. LAV50IA-62036	5.0	22	X			INDUST.		
8518-02	Tec. LAV35RM-40667K	3.5	18	X			X		
8535-02	Tec. LAV35RM-40668K	3.5	22	X			X		
8544-02	Tec. LAV40RM-50348C	4.0	22		X		X		
8545-02	Tec. LAV40RM-50349C	4.0	22		X	X	X		
9535-02	B & S 92908-1478-01	3.5	22	X			X		
9544-02	B & S 110988-0293-01	4.0	22		X		X		
9545-02	B & S 110985-0294-01	4.0	22		X	X	X		
1976									
7432-01	Tec. AV520-670-81	3.0	18	X			INDUST.		X
7444-01	Tec. LAV40IA-50365E	4.0	18	X			INDUST.		
7454-01	Tec. LAV50IA-62036	5.0	22	X			INDUST.		
8518-02	Tec. ALV35RM-40667K	3.5	18	X			X		
8535-02	Tec. LAV35RM-40668K	3.5	22	X			X		
8544-02	Tec. LAV40RM-50348C	4.0	22		X		X		
8545-02	Tec. LAV40RM-50349C	4.0	22		X	X	X		
8554-01	Tec. LAV50RM-62045	5.0	22		X		X		
8555-01	Tec. LAV50RM-62046	5.0	22		X	X	X		
9535-02	B & S 92908-1478-01	3.5	22	X			X		
9544-02	B & S 110988-0293-012	4.0	22		X		X		
9545-02	B & S 110985-0294-01	4.0	22		X	X	X		
9635-01	B & S 92908-1478-01	3.5	22	X			X		
9644-01	B & S 110988-0324-01	4.0	22		X		X		
9645-01	B & S 110985-0325-01	4.0	22		X	X	X		
1977									
7444-01	Tec. LAV40IA-50365E	4.0	18	X			INDUST.		
7454-02	Tec. LAV50IA-62056	5.0	22	X			INDUST.		
8532-01	Tec. AV520-670-81B	3.0	18	X			INDUST.		X
8554-01	Tec. LAV50RM-62045	5.0	22		X		X		
8555-02	Tec. LAV50RM-62046	5.0	22		X	X	X		

1

WALK BEHIND MODELS AND SPECIFICATIONS (CONT'D)

MODEL	ENG. MODEL & TYPE	HP	IN. CUT	PUSH	SELF PROP.	ELEC. START	MULCH MOWER	REAR BAGGER	2 CYCLE	SOLID STATE IGN.
1977 (Cont'd)										
8618-01	B & S 921908-0850-01	3.5	18	X			X			
8635-01	B & S 92908-1709-01	3.5	22	X			X			
8644-01	B & S 110988-0324-01	4.0	22		X		X			
1978										
6518-01	Tec. LAV35RM-40667K	3.5	18	X			X			
6544-01	Tec. LAV40RM-50348C	4.0	22		X		X			
7454-02	Tec. LAV50IA-62056C	5.0	22	X			INDUST.			
8532-01	Tec. AV520-67081B	3.0	18	X					X	
8554-01	Tec. LAV50RM-62045B	5.0	22		X		X			
8555-02	Tec. LAV50RM-62046B	5.0	22		X		X			
8618-01	B & S 92908-0850-03	3.5	18	X		X	X			
8621-01	B & S 92908-0850-03	3.5	20	X			X			
8635-01	B & S 92908-1709-01	3.5	22	X			X			
8644-01	B & S 110988-0324-01	4.0	22		X		X			
8660-01	B & S 92980-1709-01	3.5	21	X				X		
1979										
8554-01	Tec. LAV50-62045B	5.0	22	X		X				
8555-01	Tec. LAV50-62046B	5.0	22		X	X	X			
8618-02	B & S 92908-0850-04	3.5	18	X			X			
8621-02	B & S 92908-0942-02	3.5	20	X			X			
8635-01	B & S 92908-1709-01	3.5	22	X			X			
8635-02/03	B & S 92908-1709-02	3.5	22	X			X			
8644-02/03	B & S 110988-0324-03	4.0	22		X		X			
8645-01	B & S 110985-0503-01	4.0	22		X	X	X			
8648-01	B & S 110988-0324-03	4.0	22		X		X			
8660-01	B & S 92908-1924-02	3.5	21	X				X		
8661-01	B & S 110988-0461-01	4.0	21		X			X		
8668-01	B & S 110985-0460-01	4.0	21		X	X		X		
1980										
8548-01	Tec. TVS105-53031B	4.0	22		X		X			X
8554-02/03	Tec. TVS120-63001A	5.0	22		X		X			X
8555-03/04	Tec. TVS120-63003A	5.0	22		X	X	X			X
8618-02/03	B & S 92908-0850-04	3.5	18	X			X			
8621-02/03	B & S 92908-0942-01	3.5	20	X			X			
8638-01	B & S 92908-1709-02	3.5	22	X			X			
8648-01	B & S 110988-0324-03	4.0	22		X		X			
8649-01	B & S 110985-0503-01	4.0	22		X	X	X			
8660-01	B & S 92908-1924-02	3.5	21	X				X		
8661-01	B & S 110988-0461-01	4.0	21		X			X		
8668-01	B & S 110985-0460-01	4.0	21		X	X		X		
1981										
8548-01	Tec. TVS105-53031B	4.0	22		X		X			X
8554-03	Tec. TVS120-63003A	5.0	22		X		X			X
8555-04	Tec. TVS120-63003A	5.0	22		X	X	X			X
8618-03	B & S 92908-0850-04	3.5	18	X			X			
8621-04	B & S 92908-0942-02	3.5	20	X			X			
8638-01	B & S 92908-1709-02	3.5	22	X			X			
8648-02	B & S 110988-0324-03	4.0	22		X		X			
8649-01	B & S 110985-0442-01	4.0	22		X	X	X			
1982										
8555-05	Tec. TVS120-63025C	5.0	22		X	X	X			ON BOARD CHARGING
8622-01	B & S 93502-0356-01	3.5	20	X			X			
8642-01	B & S 110988-0546-01	4.0	22		X		X			
8648-03	B & S 110988-0502-01	4.0	22		X		X			
1982	June							Combination	Compliance	
1983										
8352-01	B & S 92902-3175-01	3.5	21	X				X	X	
8362-01	B & S 110902-3176-01	4.0	21		X			X	X	
8372-01	Tec. TVS120-63031D	5.0	21		X	(3)		X	X	
8556-01	Tec. TVS120-63032D	5.0	22		X	(3)	X		X	
8610-01	B & S 92902-3178-01	3.5	20	X				X	X	
8623-01	B & S 92902-3178-01	3.5	20	X			X		X	
8643-01	B & S 110982-3194-01	4.0	22		X		X		X	

Footnotes: Page 4

WALK BEHIND MODELS AND SPECIFICATIONS (CONT'D)

Model	Engine Model & Type	HP	In. Cut	Push	Self Prop.	Elec. Start	Mulch Mower	Combination	Compliance	Rear Bag	Side Disch.
1984											
8352-02	B & S 92902-3175-01	3.5	21	X				X	X		
8362-02	B & S 110902-3176-01	4.0	21		X			X	X		
8372-02	Tec. TVS120-63031D	5.0	21		X	(3)		X	X		
8521-01	Tec. TVS90-43276D	3.5	20	X			X		X		
8610-02	B & S 92902-3178-01	3.5	20	X					X		X
8623-02	B & S 92902-3178-01	3.5	20	X			X		X		
8639-01	B & S 92902-3235-01	3.5	22	X			X		X		
8643-02	B & S 110982-3194-01	4.0	22		X		X		X		
1985											
8118-01	B & S 92902-3248	3.5	18	X						X	
8352-03	B & S 92902-3261	3.5	21	X				X	X		
8362-04	B & S 110702-3191	4.0	21		X			X	X		
8364-01	B & S 11078-0170	4.0	21		X			X	(1)		
8372-04	Tec. TVS120-63056D	5.0	21		X	(3)		X	X		
8521-02	Tec. TVS90-43302D	3.5	20	X			X		X		
8610-03	B & S 92902-3262	3.5	20	X					X		X
8623-03	B & S 92902-3178	3.5	20	X			X		X		
8639-01	B & S 92902-3235	3.5	22	X			X		X		
8643-03	B & S 110782-3192	4.0	22		X		X		X		
1986											
8118-01	B & S 92902-3248	3.5	18	X						X	
8362-05	B & S 110702-3191	4.0	21		X			X	X		
8364-02	B & S 110708-0170	4.0	21		X			X	(1)		
8374-01	B & S 110707-3099	4.0	21		X	(3)		X	X		
8610-01	B & S 92902-3178	3.5	20	X					X		X
8623-03	B & S 90702-3065	3.5	20	X			X		X		
8643-03	B & S 110782-3192	4.0	22		X		X		X		
8647-01	B & S 110787-3107	4.0	22		X	(3)	X		X		
1987											
8118-01	B & S 92902-3248	3.5	18	X						X	
8610-03	B & S 92902-3262	3.5	20	X					X		
8623-03	B & S 90702-3065	3.5	20	X			X		X		
8643-03	B & S 110782-3192	4.0	22		X		X		X		
8647-01	B & S 110787-3107	4.0	22		X	(3)	X		X		
9052-01	B & S 91702-3077	3.5	21	X				X	X		
9062-01/02	B & S 110702-3191	4.0	21		X			X	X		
9064-01/02	B & S 110708-0170	4.0	21		X			X	(1)		
9074-01/02	B & S 110707-3099	4.0	21		X	(3)	X		X		
1988											
8612-01	B & S 100708-3126	3.5	20	X					X		X
8624-01	B & S 100708-3126	3.5	20	X			X		X		
8643-03	B & S 110782-3098	4.0	22		X		X		X		
8647-01	B & S 110787-3107	4.0	22		X	(3)	X		X		
9053-01	B & S 110708-3127	3.5	21	X				X	X		
9062-02/03	B & S 110702-3097	4.0	21		(4)			X	X		
9063-01	B & S 100708-3127	4.0	21		(5)			X	X		
9064-02	B & S 110708-0170	4.0	21		X			X	(1)		
9074-02/03	B & S 110707-3099	4.0	21		(4)	(3)		X	X		
9262-01	B & S 96722-3210(2)	4.0	21		(5)			X	X		

1

Footnotes: Page 4

WALK BEHIND MODELS AND SPECIFICATIONS (CONT'D)

Model	Engine Model & Type	HP	In. Cut	Push	Self Prop.	Elec. Start	Mulch Mower	Combination	Compliance	Rear Bag	Side Disch.
1989*											
8557-01	Tec. TVS120-63610F	5.0	22		X	(3)	X		X		
8612-02	B & S 100708-3126	3.5	20	X					X		X
8624-02	B & S 100708-3126	3.5	20	X			X		X		
8653-01	B & S 110782-3139	4.0	22		X		X		X		
8657-01	B & S 110787-3141	4.0	22		X	(3)	X		X		
9053-02	B & S 100708-3127	3.5	21	X				X	X		
9062-04	B & S 111702-3055	4.0	21		(4)			X	X		
9074-04	B & S 111707-3056	4.0	21		(4)	(3)		X	X		
9262-02	B & S 96722-3210(2)	4.0	21		(5)			X	X		
1990											
8624-03	B & S 121702-3126-01	3.5	20	X			X		X		
8654-01	B & S 122782-3124-01	4.0	22		X		X		X		
8655-01	B & S 124782-3130-01	5.0	22		X		X		X		
8656-01	B & S 124787-3131-01	5.0	22		X	(3)	X		X		
1991											
8628-01	B & S 121702-3126-01	3.5	20	X			X		X		
8654-02	B & S 122782-3124-01	4.0	22		X		X		X		
8655-02	B & S 124782-3130-01	5.0	22		X		X		X		
8656-02	B & S 124787-3131-01	5.0	22		X	(3)	X		X		
1992											
8628B-01	B & S 122702-3126-01	4.0	20	X			X		X		
8654-03	B & S 122782-3124-01	4.0	22		X		X		X		
8655-03	B & S 124782-3130-01	5.0	22		X		X		X		
8656-03	B & S 124787-3131-01	5.0	22		X	(3)	X		X		
1993											
8628B-02	B & S 122702-3126-01	4.0	20	X			X		X		
8654-04	B & S 122782-3124-01	4.0	22		X		X		X		
8655-04	B & S 124782-3130-01	5.0	22		X		X		X		
8656-04	B & S 124787-3131-01	5.0	22		X	(3)	X		X		
1994 - 1995											
8628B-02	B & S 122702-3126-01	4.0	20	X			X		X		
8654-05	B & S 122782-3124-01	4.0	22		X		X		X		

1 - BBC Model
 2 - 2 Cycle Engine
 3 - With Alternator

4 - 03 & Later - Single Pulley (STD)
 5 - Single Speed Pulley (STD)
 1755630 - High Speed Pulley (OPT)
 1755343 - Low Speed Pulley (OPT)

*Changed color to Dark Green

WALK BEHIND ATTACHMENT INTERCHANGEABILITY*

Description	Model No.	Accessory No.	7454	8340 8341	8342	8440	8444	8535	6544	8556
					8343 8344			8544 8545	8548 8554 8555	
Bag Adaptor Kit	6835			X	X	X	X			
Chute & Bag	6833			X	X	X	X			
Chute & Support Arm	6836		X			X	X	X	X	X
Electric Start Kit	6839						X			
Grass Bag ONLY - Side	6827			X	X	X	X			
	6837		X		X	X	X	X	X	X
		1731986	X	X	X	X	X	X	X	X
Grass Bag Kit - Side (Use 6882) (2 pc. handle) (1 pc. handle) - Rear	6863	1760735	X			X	X	X		
	6880	1731425							X	
	6882	1732191							X	X
	6904	1760734							X	X
	6883	1733763	X		X	X	X			
	6915	1760735	X		X	X	X			
	6891	1740095 1743695							X X	X X
Leaf Bag ONLY	6838	1731985**	X			X	X	X	X	X
Leaf Bag Kit (use w/6880, 6882 & 6883) (use 6881)	6881	1731987	X			X	X	X	X	X
	6887	1739685				X	X	X	X	X
Side Discharge Chute	6890	1740090				X	X	X	X	X

X - Will fit without changes

*NOTE: Check Accessory or Sales Price List for availability.

**Needs: 1 - 1722742 Bag Hanger

1 - 1722743 Bag Hanger Ext.

1 - 1100346 Cotter Pin

WALK BEHIND ATTACHMENT INTERCHANGEABILITY*

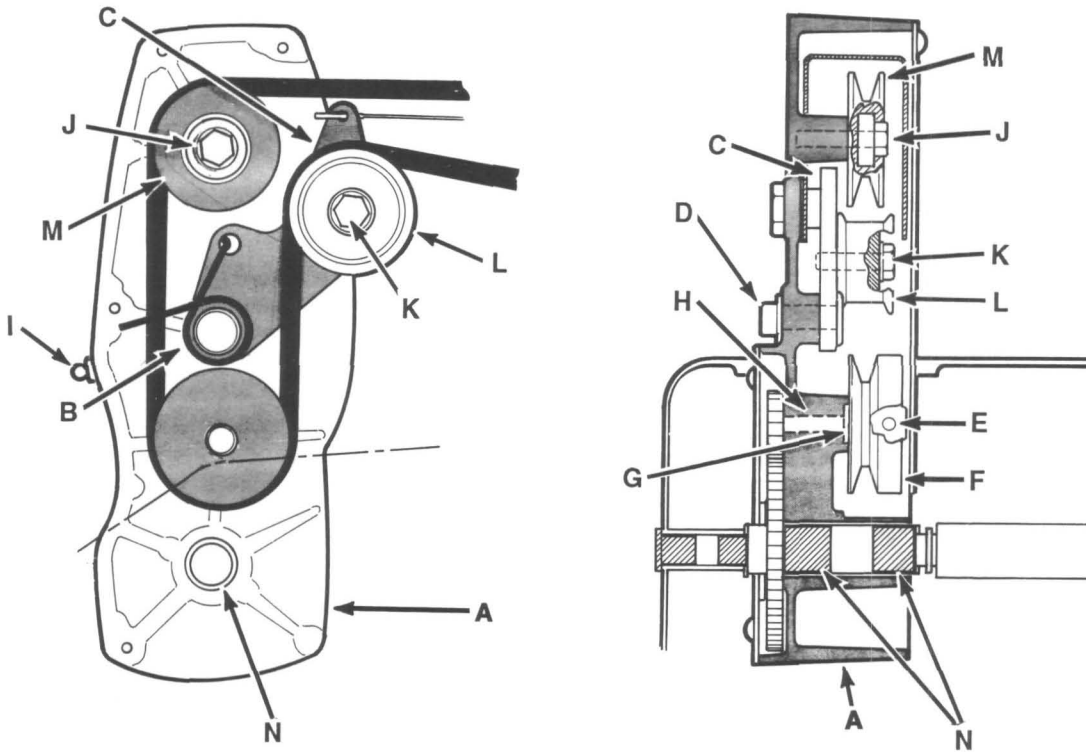
Description	Model No.	Accessory No.	8610 8612	8635 8638	8642	8639 8644	8648 8649	8352	9052	9053	8557
					8643 8647			8362 8364 8372 8374			9062 9064 9074
Disposable Bags (2 bu.)	6909							X	X	X	
Grass Bag Kit - Side (Bolens) (Generic) (2 pc. handle) (Rear)	6808										X
	6809	1759270									X
	6810	1746634	X								
	6882	1732191		X	X	X	X				
	6904	1760734		X	X	X	X				
6891	1740095 1743695		X	X	X	X					
Grass Bag ONLY - Side		1731986		X	X	X	X				X
		1759269		X	X	X	X				X
Leaf Bag Kit - Side (use w/6880, 6882 & 6883)	6887	1739685		X	X	X	X				
	6881	1731987		X	X	X	X				
Side Discharge Chute Kit (Bolens) (Generic)	6890	1740090		X	X	X	X				
	6911							X	X	X	
	6912										X
	6913	1759280									X
Thatch Eliminator	6908							X	X	X	

X - Will fit without changes

*NOTE: Check Accessory or Sales Price List for availability.

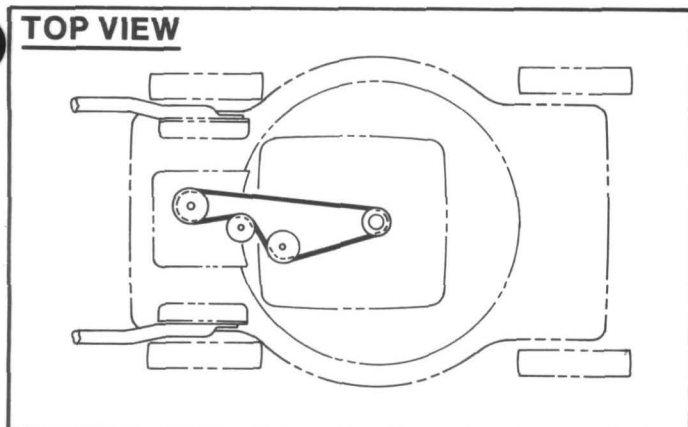
MULCHING MOWER GEARCASE ASSEMBLY
PART NUMBER 1761937
BOLENS & TROY-BILT

1



Item	Part #	Description	Qty
A	1761625021	Gear Case	1
B	1757640	Spring, Torsion	1
C	1758163	Arm Assy. Idler	1
D	1724791	Pushnut, .38 Dia.	1
E	1185271	Pin, Roll	1
F	1758229	Sheave, "O" Sect.	1
G	1702646	Washer, Shim	1
H	1758230	Bearing, Bronze	1
I	1185976	Fitting, Grease	1
J	1100078	Screw, Hex Hd.	1
K	1100046	Cap, .312-18x.88	1
		Screw, Hex Hd.	
L	1752988	Cap, .375-16x1	1
		Idler	
M	1761754	Sheave, Idler	1
N	1185319	Bearing, bronze	2

**COMBO MOWER BELT DIAGRAM
BOLENS & TROY-BILT**



MODELS	BELT	BLADE	REMARKS
8000 Series	1744706	1751965	2 speed
9000 Series (01 & 02)	1744706	1751965	2 speed
(03 & 04)	1753373	1751965	*single speed w/optional low & high

* Std. sheave - 1755345.
 Low speed sheave - 1755343.
 High speed sheave - 1755630.
 Engine Sheave - 1752998.

SAFETY SPECIFICATIONS FOR POWER LAWN MOWERS

(Units with blade bolted directly to crankshaft)

The United States of America Standards Institute, (formerly American Standards Association), has issued the following Safety Standard. This standard (B71.16-1977, paragraph 10.3) specifies that "the maximum tip speed of any blade should be 19,000 feet per minute". Since blade tip speed is a function of engine R.P.M., lower tip speeds usually require lower engine speeds. The chart below lists various lengths of rotary lawnmower cutter blades, and the maximum blade rotational speeds, which will produce blade tip speeds of 19,000 feet per minute.

Blade Length	Maximum Rotational R.P.M.	Blade Length	Maximum Rotational R.P.M.
18"	4032	23"	3155
19"	3820	24"	3024
20"	3629	25"	2903
21"	3456	26"	2791
22"	3299		

For engine protection, top governed speed should never exceed 4000 R.P.M.

WALK BEHIND MOWERS

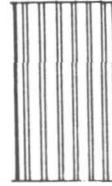
WHEELS AND TIRES BOLENS & TROY-BILT



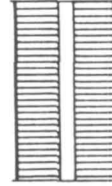
"T"



Checkerboard



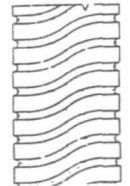
Grooved



Rib



Bolens



Lug

MODEL	S/N	REAR	FRONT	TREAD	TYPE	HUB CAP	
8118	01	1822007	1822021	Rib	Plastic	1862024	
8352	01	1737547	1737547	Checkerboard	Plastic	1746364	
	02	1747825	1747825	"T"	Plastic	1746364	
	03	1749491	1749491	Bolens	Steel	1746364	
8362	01	1747830	1737547	Checkerboard	Plastic	1746364	
	02	1747827	1747825	"T"	Plastic	1746364	
	04	1751840	1749491	Bolens	Steel - (rear w/gear)	1746364	
8364	01	1749490	1749491	Bolens	Steel - (rear w/gear)	1752046	
	02	1749490	1749491	Bolens	Steel - (rear w/gear)	1746364	
8372	01	1747830	1737547	Checkerboard	Plastic	1746364	
	02	1747827	1747825	"T"	Plastic	1746364	
	04	1751840	1749491	Bolens	Steel - (rear w/gear)	1752046	
8374	01	1751840	1751839	Bolens	Steel	1752046	
8518	01	1725789	1725789	Smooth	Plastic	1723630	
8521	01	1747825	1747825	"T"	Plastic	1723630	
	02	1751839	1751839	Bolens	Steel	1752046	
8532	01	1732826	1732826	Smooth	Plastic	1723630	
8535	01	1725667	1725667	Smooth	Plastic	1723630	
8544	01	1725667	-----	Smooth	Plastic	1723630	
	02	-----	1723679	Checkerboard	Plastic	1725630	
8545	01	1725667	-----	Smooth	Plastic	1723630	
		-----	1723679	Checkerboard	Plastic	1723630	
8548	01	1725667	-----	Smooth	Plastic	1723630	
		-----	1723679	Checkerboard	Plastic	1723630	
8554	01	1731201	-----	Smooth	Plastic	1723630	
		-----	1731200	Checkerboard	Plastic	1723630	
		02/03	1725667	-----	Smooth	Plastic	1723630
8555	01/02	-----	1723679	Checkerboard	Plastic	1723630	
		-----	1731201	Smooth	Plastic	1723630	
		-----	1731200	Checkerboard	Plastic	1723630	
		03/04	1725667	-----	Smooth	Plastic	1723630
		05	1725667	-----	Smooth	Plastic	1723630
8556	01	1725667	-----	Smooth	Plastic	1723630	
		-----	1723679	Checkerboard	Plastic	1723630	
8557	01	1755995	1755994	"T"	Steel	1752046	
8610	01-03	1746745	1746745	Grooved	Plastic	1723630	
8612	01	1756650	1756650	"T"	Plastic	1746364	
8618	01	1732826	1732826	Smooth	Plastic	1723630	
		02/03	1734310	1734310	Smooth	Plastic	1723630
8621	01	1731201	1731201	Smooth	Plastic	1723630	
8622	01	1725667	1725667	Smooth	Plastic	1723630	
8623	01/02	1744266	1744266	Smooth	Plastic	1752046	
		02	1747825	1747825	"T"	Plastic	1752046
		03	1751839	1751839	Bolens	Steel	1752046
8624	01/02	1751839	1751839	Bolens	Steel	1752046	

WALK BEHIND MOWERS WHEELS AND TIRES (CONT'D)

<u>MODEL</u>	<u>S/N</u>	<u>REAR</u>	<u>FRONT</u>	<u>TREAD</u>	<u>TYPE</u>	<u>HUB CAP</u>
8624R	01					
8628	01	1755995	1755995	"T"	Steel	1752046
8628	02	1761980	1761980	"T"	Steel	1762240
8628B	01/02	1761980	1761980	"T"	Steel	1762240
8628RS	01	1759081	1759081	"T"	Steel	1752046
	02	1761981	1761981	"T"	Steel	1762241
	03	1761981	1761981	"T"	Steel	1762241
8635	01	1731201	1731201	Smooth	Plastic	1723630
8638	01	1725667	1725667	Smooth	Plastic	1723630
8639	01	1747825	1747825	"T"	Plastic	1723630
8642	01	1744266	-----	Smooth	Plastic	1723630
		-----	1723679	Checkerboard	Plastic	1723630
8643	01/02	1725667	-----	Smooth	Plastic	1746364
	02	1747825	1747825	Checkerboard	Plastic	1746364
	03	1751839	1751838	Bolens	Steel	1752046
8644	01	1731201	-----	Smooth	Plastic	1723630
		-----	1731200	Checkerboard	Plastic	1723630
	02/03	1725667	-----	Smooth	Plastic	1723630
		-----	1723679	Checkerboard	Plastic	1723630
8645	01	1725667	-----	Smooth	Plastic	1723630
8647	01	1751839	1751838	Bolens	Steel	1752046
8648	01/02	1725667	-----	Smooth	Plastic	1723630
		-----	1723679	Checkerboard	Plastic	1723630
	03	1725667	-----	Smooth	Plastic	1723630
		-----	1723679	Checkerboard	Plastic	1723630
8649	01	1725667	-----	Smooth	Plastic	1723630
		-----	1723679	Checkerboard	Plastic	1723630
8653	01	1755995	1755994	"T"	Steel	1752046
8654	01	1755995	1755994	"T"	Steel	1752046
	02/03/04/05	1761980	1762020	"T"	Steel	1762240
8654RS	01	1759081	1738332	"T"	Steel	1752046
	02	1761981	1762021	"T"	Steel	1762241
	03	1761981	1762021	"T"	Steel	1762241
	04	1761981	1762021	"T"	Steel	1762241
	05	1761981	1762021	"T"	Steel	1762241
8655	01	1755995	1755994	"T"	Steel	1752046
	02/03/04	1761980	1762020	"T"	Steel	1762240
8655RS	01	1759081	1738332	"T"	Steel	1752046
	02	1761981	1762021	"T"	Steel	1762241
	03	1761981	1762021	"T"	Steel	1762241
	04	1761981	1762021	"T"	Steel	1762241
	05	1761981	1762021	"T"	Steel	1762241
8656	01	1755995	1755994	"T"	Steel	1752046
	02/03/04	1761980	1762020	"T"	Steel	1762240
8656R/S	01	1759081	1738332	"T"	Steel	1752046
	02	1761981	1762021	"T"	Steel	1762241
	03	1761981	1762021	"T"	Steel	1762241
	04	1761981	1762021	"T"	Steel	1762241
	05	1761981	1762021	"T"	Steel	1762241
8657	01	1755995	1755994	"T"	Steel	1752046
8660	01	1735497	1735497	Rib	Plastic	N/A
	02	1736354	1736354	Checkerboard	Plastic	N/A
8661	01	1736089	-----	Checkerboard	Plastic	N/A
		-----	1736354	Rib	Plastic	N/A
8668	01	1736089	-----	Checkerboard	Plastic	N/A
		-----	1736354	Rib	Plastic	N/A

1

WALK BEHIND MOWERS WHEELS AND TIRES (CONT'D)

<u>MODEL</u>	<u>S/N</u>	<u>REAR</u>	<u>FRONT</u>	<u>TREAD</u>	<u>TYPE</u>	<u>HUB CAP</u>
9052	01	1751839	1751839	Bolens	Steel	1752046
9053	01	1751839	1751839	Bolens	Steel	1752046
	02	1755995	1755995	"T"	Steel	1752046
9062	01/02	1751840	1751839	Bolens	Steel - (rear w/gear)	1752046
	03/04	1756376	1755995	"T"	Steel - (rear w/gear)	1752046
9064	01/02	1751840	1751839	Bolens	Steel - (rear w/gear)	1752046
9074	01/02	1751840	1751839	Bolens	Steel - (rear w/gear)	1752046
	03/04	1756376	1755995	"T"	Steel - (rear w/gear)	1752046
9262	01	1751840	1751839	Bolens	Steel - (rear w/gear)	
	02	1756376	1755995	"T"	Steel - (rear w/gear)	1752046
9535	01	1725667	1725667	Smooth	Plastic	1723630
9544	01	1725667	-----	Smooth	Plastic	1723630
		-----	1723679	Checkerboard	Plastic	1723630
9545	01	1725667	-----	Smooth	Plastic	1723630
		-----	1723679	Checkerboard	Plastic	1723630
9635	01	1731201	1731201	Smooth	Plastic	1723630
9444	01	1731201	-----	Smooth	Plastic	1723630
		-----	1731200	Checkerboard	Plastic	1723630
9445	01	1731201	-----	Smooth	Plastic	1723630
		-----	1731200	Checkerboard	Plastic	1723630
11300/01	01	1754230	1754231	"T"	Steel (rear w/gear)	1752046
34007	01	1761981	1762021	"T"	Steel	1762241
34020	01/02	1765740	1765740	Lug	Plastic	None
34021	01/02	1765740	1765750	Lug	Plastic	None
34022	01/02	1765740	1765750	Lug	Plastic	None
34023	01/02	1765740	1765750	Lug	Plastic	None
34311	01	1765740	1765750	Lug	Plastic	None

ROTARY TILLER MODELS AND SPECIFICATIONS

MODEL	ENGINE MODEL & TYPE	HP	REMARKS
1954/1955 M16 EC12C2 EC12C3 BA12C3 BA16W4 1/2 BA16W6 BA24W6	Cl. 990-100 Cl. Cl. Cl. D1107-C5B Wis. ACN Wis. BKN Wis. BKN	2.5 2 3 3 4.5 6 6	Horizontal Horiz. Wheel Drive Horiz. Wheel Drive Horiz. Wheel Drive Horiz. Wheel Drive Horiz. Wheel Drive Horiz. Wheel Drive
1956 61 M16A M16 BA12C3 BA16W4 1/2 BA16W6 BA24W6 710	Cl. VS100-98928 Cl 3100 Cl. 990-100 Cl. D1107-C5B Wis. ACN Wis. BKN Wis. BKN Elec.	2.5 3 3 3 4.5 6 6 6	Vertical Horizontal Horizontal Horiz. Wheel Drive Horiz. Wheel Drive Horiz. Wheel Drive Horiz. Wheel Drive Vertical
1957 61 61 M16A M16B M16D BA12 BA16 BA24 70 710	Cl. VS100-98928 B & S 6BH-900834 Cl. 3100 Cl. 3100 Cl. 900-2170 Cl. D1107-C5B Wis. BKN Wis. BKN Ko. K91-31146A Elec.	2.5 2.25 3 3 3 3 6.2 6.2 3.6	Vertical Vertical Horizontal Horizontal Horizontal Horiz. Wheel Drive Horiz. Wheel Drive Horiz. Wheel Drive Horiz. Wheel Drive Vertical
1958 2012 2016 2017 2059 2063 2071 2076 2080 (80-01) 2710	Cl. Cl. 900-2206 Cl. 900-2170 B & S B & S 81702-944599 Ko. K91-31146A Wis. BKN Wis. AENL-146358 Elec.	3 3 3 2.25 2.75 3.6 7 9.2	Horiz. Wheel Drive Horizontal Horizontal Vertical Vertical Horiz. Wheel Drive Horiz. Wheel Drive Horiz. Wheel Drive Vertical
1959 2054 2055 2066 2067 2072 2077 2080 (80-01)	La. LV22-H3228 Cl. VS3100-1124 B & S 81312-943584 Cl. 900-2206 Ko. K91-31146A Ko. K161-28308E Wis. AENL-146358	2.25 3.25 3 3 4 7 9.2	Vertical Vertical Horiz. Reverse Horiz. Reverse Horiz. Wheel Drive Horiz. Wheel Drive Horiz. Wheel Drive
1960 2027 2044 2046 2048 2072 2077 2080	La. LV30 La. LV25C-1090P B & S 81392-9436963 La. K35-D1080P Ko. K91-31146A Ko. K161-28308E Wis. AENL-146358	3 2.5 3 3.5 4 7 9.2	Vertical Vertical Horiz. Reverse Horiz. Reverse Horiz. Wheel Drive Horiz. Wheel Drive Horiz. Wheel Drive
1961 2033 2051 2056 2058 2064 2072 2077 6326	Cl. VS4100-2136 Cl. VS2100-3200 B & S 81392 La. H35-2105 Cl. B1290-1272 Ko. K91-31146A Ko. K161-28308E B & S 80902	3 2.25 3 3.5 4 4 7 3	Vertical Vertical Horiz. Reverse Horiz. Reverse Horiz. 2 Spds. Fwd Horiz. Wheel Drive Horiz. Wheel Drive Vertical

MODEL	ENGINE MODEL & TYPE	HP	REMARKS
1962/1963 2041 2064 2100	B & S 82902-015701 Cl. B1290-1272 B & S 80392-953018	3 4.5 3	Vertical Horiz. 2 Spds Fwd. Horiz. Reverse
1964 2041-02 2101-01	B & S 82902-015701 B & S 100292-015401	3 4	Vertical Horiz. Reverse
1965 2041-03 2101-01	B & S 82902-015701 B & S 100292-015401	3 4	Vertical Horiz. Reverse
1966 2042-01 2101-01-02	B & S 92902-015201 B & S 100292-015401	3.5 4	Vertical Horiz. Reverse
1967/1968 2045-01 2102-01	B & S 92902-015201 B & S 130292-160245	3.5 5	Vertical Horiz. Reverse
1969 2045-02 2103-01	B & S 92902-070401 B & S 130292-012501	3.5 5	Vertical Horiz. Reverse
1970/1971 2049-01 2091-01 2104-01	B & S 92902-070401 B & S 100202-014508 B & S 130292-012506	3.5 4 5	Vertical Horiz. Horiz. Reverse
1972 2135-01 2150-01	B & S 92902-070401 B & S 130292-014103	3.5 5	Vertical Horiz. Reverse
1973 2135-02 2150-01	B & S 92902-131601 B & S 130292-014103	3.5 5	Vertical Horiz. Reverse
1974 2135-03 2150-02	B & S 92902-131601 B & S 130292-014103	3.5 5	Vertical Horiz. Reverse
1975 2135-04 2150-03	B & S 92902-131601 B & S 130292-014103	3.5 5	Vertical Horiz. Reverse
1976 2135-04 2150-03 2230-01 2235-01 2250-01 2255-01	B & S 92902-131601 B & S 130292-014103 B & S 80202-051001 B & S 92902-131602 B & S 130202-033501 B & S 130292-061101	3.5 5 3 3.5 5 5	Vertical Horiz. Reverse Chain Drive Vertical Chain Drive Horiz. Reverse
1977 2230-01 2235-01 2250-01 2255-01	B & S 80202-0510 B & S 92902-131602 B & S 130202-0335 B & S 130292-061101	3 3.5 5 5	Chain Drive Vertical Chain Drive Horiz. Reverse

Key: B & S - Briggs & Stratton
La. - Lauson
Tec. - Tecumseh
Wis. - Wisconsin
Cl. - Clinton
Ko. - Kohler

2

ROTARY TILLER MODELS AND SPECIFICATIONS (CONT'D)

Model	Engine Model & Type	H.P.	Remarks
1978-1979			
2230-01-02	B & S 80202-051002	3	Chain Drive
2235-02	B & S 92902-131602	3.5	Vertical
2250-01-02	B & S 130202-074801	5	Chain Drive
2255-01	B & S 130292-061101	5	Horizontal, Reverse
1980-1982			
None Built			
1983			
2152	B & S 130202-0135	5	Front Tine Chain Driven
2162	B & S 130292-0803-01	5	Rear Tine Wheel Driven
1984			
2152	B & S 130202-0135	5	Front Tine Chain Driven
2162	B & S 130292-0803-01	5	Rear Tine Wheel Driven
1985			
2152	B & S 130202-0135	5	Front Tine Chain Driven
2162	B & S 130292-0803-01	5	Rear Tine Wheel Driven
2142	B & S 80202-1827-01	3	Front Tine Chain Driven
2164	B & S 130292-1862-01	5	Rear Tine Wheel Driven
1986			
2152	B & S 130202-0135	5	Front Tine Chain Driven
2142	B & S 80202-1827-01	3	Front Tine Chain Driven
2164	B & S 130292-1862-01	5	Rear Tine Wheel Driven
1986			
2152	B & S 130202-0135	5	Front Tine Chain Driven
2142	B & S 80202-1827-01	3	Front Tine Chain Driven
2164	B & S 130292-1862-01	5	Rear Tine Wheel Driven
1987-1989			
None Built			
1990-1992			
FT500-01	B & S 130202-3010-01	5	Front Tine Chain Driven
1993-to Present			
12039	B & S 135212-0172	5	Front Tine Chain Driven
12040	B & S 135292-0174	5	Front Tine Chain Driven w/ Rev.

MULCHER/CHIPPER MODELS AND SPECIFICATIONS

Model	Engine Model & Type	H.P.	Remarks
1988-1990			
MC2500-01	B & S 130232-3071	5.0	Two Wheel, Recoil Start
MC2800-01	B & S 190412-3107	8.0	Two Wheel, Recoil Start
MC3540-01		10-30	3 Pt. Hitch, PTO Driven
MC4800-01	B & S 195432-0828	8.0	Four Wheel, Recoil Start
1991			
MC2500-02-03	B & S 130232-3071	5.0	Two Wheel, Recoil Start, Tamper*
MC2800-02	B & S 190412-3107	8.0	Two Wheel, Recoil Start, Tamper*
1992			
47011	Tec H50-65575T	5.0	Repl MC2500, Tamper*
47018-01	Tec HMXL80-155447L	8.0	Repl MC2800, Tamper**
47021-01	Tec TVS105-53181J	4.0	Chipper/Vac
1993			
47018-01	Tec HMXL80-155447L	8.0	Tamper**
47021-01	Tec TVS105-53181J	4.0	Chipper/Vac
1994			
47018-01	Tec HMXL80-155447L	8.0	Tamper**
47021-02	Tec TVS115-56013A	4.0	Chipper/Vac
47028-01	Tec H50-65597U	5.0	Tamper

*P/N 1762219 **P/N 1763008

MULCHER/CHIPPER MODELS AND SPECIFICATIONS (CONT'D)

Model	Engine Model & Type	H.P.	Remarks
1995			
47018-01	Tec HMXL80-155447L	8.0	Tamper**
47028-01	Tec H50-65597U	5.0	
47037-01	Tec TVS115-56013B	4.0	Chipper/Vac

**P/N 1763008

MULCHER/CHIPPER ATTACHMENT INTERCHANGEABILITY*

Description	Part Number	MC2500-01	MC2800-01	MC4800-01	MC3540-01	Remarks
Rods & Rollers	1816137			X	X	Vines, Stalks, Leaves
	1816138		X			
	1816139	X				
Screen - 1/8"	1761873		X			Grinding Feed
	1761885	X				
- 3/8"	1761874		X			Mixing Potting Soil
	1761865	X				
- 3/4"	1763997			X	X	Compost, Mulch
	1761866	(1)				
	1761875		(1)			
- 1"	1763998			(1)	(1)	
	1761867	X				
- 1-3/4"	1761876		X			
	1761868	X				
	1761877		X			
	1764000			X	X	

*NOTE: Check Accessory or Sales Price List for availability.

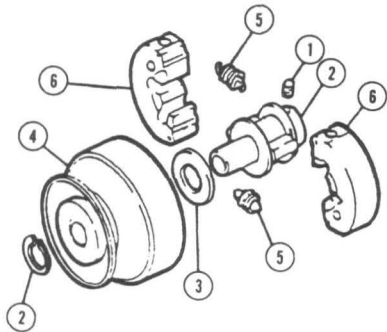
MULCHER/CHIPPER ATTACHMENT INTERCHANGEABILITY*

Description	Part Number	MC2500-02-03	MC2800-02	47011-01 47018-01	47021** 47032 47037	47028	Remarks
Bar Grate	1762668			X			
Blade Kit	1763352				X		Chipper Blade w/Hdwr.
	1764810			X			
	1764813	X	X				
Goggles	1756954	X	X	X	X	X	
Hose Kit (clear)	1765861				X		Leaf Pickup
Rods & Rollers	1816138		X				Vines, Stalks, Leaves
	1816139	X					
Screen - 1/8"	1761878		X				Grinding Feed Mixing Potting Soil
	1761869	X					
- 3/8"	1762664			X			Compost Mulch
	1761870	(1)					
- 3/4"	1761880		(1)				
	1762665			(1)			
	1767317					X	
- 1"	47505					X	
	1761871	X					
- 1-3/4"	1762666			X			Coarse Compost
	1761872	X					
	1761882		X				
	1762667			X			
Service Kit	1763354				X		Plug, Filter & Knife Plug, Filter & Knife
	1767319					X	
Tamper	11523					X	
	1762219	X	X				
	1763008			X			

1 - Standard
**Chipper/Vac

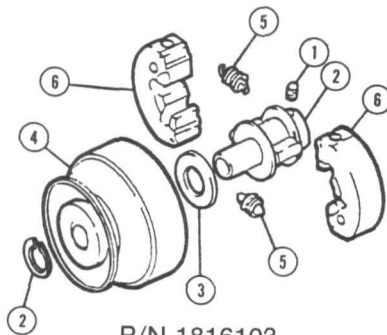
*NOTE: Check Accessory or Sales Price List for availability.

MULCHER/CHIPPER CLUTCH ASSEMBLIES



P/N 1816024

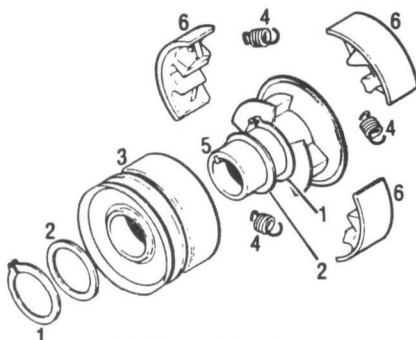
Ref. No.	Part No.	Description	Qty.
1	1816146	Clutch Set Screw	1
2	1816147	Clutch Snap Ring 3/4" ...	1
3	1816149	Clutch Washer 3/4"	1
4	1816150	Clutch Drum w/Bushing 3/4"	1
5	1816152	Clutch Spring (Red)	2
6	1816153	Clutch Shoe 3/4"	2
7	1816154	Clutch Hub 3/4"	1



P/N 1816103

Ref. No.	Part No.	Description	Qty.
1	1816146	Set Screw	1
2	1816148	Snap Ring 1"	1
3	1816145	Washer, 1"	1
4	1816151	Drum w/Bushing	1
5	1816152	Spring (Red)	2
6	1816153	Shoe	2
7	1816155	Hub, 1"	1

4



P/N 1762055

Ref. No.	Part No.	Description	Qty.
1	1118818	Snap Ring, 1"	2
2	1762063	Special Washer, 1"	2
3	1762059	Drum Ass'y	1
4	1762062	Spring	3
5	1762060	Hub Ass'y, 1"	1
6	1762061	Shoe	3

SNOWTHROWER MODELS AND SPECIFICATIONS

MODEL	ENGINE MODEL & TYPE	HP	REMARKS
1961 525	B & S 81202-928225	3	
1962 528	B & S 81202-928225	3	
1963 531	B & S 80202-948136	3	
1964 532-01 (Artic 40) 536-01 (Artic 60)	B & S 100202-40117 La. H60-75062B	4 6	
1965 532-01 (Artic) 536-02 (Artic 60)	B & S 100202-022501 La. H60-75062B	4 6	
1966 535-01 (Artic 40) 536-03 (Artic 60)	B & S 100202-022501 La. H60-75062B & 75062E	4 6	
1967 536-04 (Artic 60)	La H60 Snow King 75062G	6	
1968 536-05 (Artic 60)	La. H60 Snow King 75062G	6	
1969 537-01 (Artic 70) 538-01 (Artic 70) 539-01 (Artic 70) 540-01 (Artic 70)	Tec. H70-130023 Tec. H70-130023 Tec. H70-130023	7 7 7	Two Stage Two Stage Two Stage Attachment for the Artic 70 Only
1970 55-01 75-01	Tec. H50-65224H Tec. H70-130064	5 7	Two Stage Two Stage
1971 55-02 75-02	Tec. H50-65224H Tec. H70-130064H	5 7	Two Stage Two Stage

MODEL	ENGINE MODEL & TYPE	HP	REMARKS
1972 55-03 75-03	Tec. H50-65224J Tec. H70-130124A	5 7	Two Stage Two Stage
1973 524-01 726-01 832-01	Tec. HSK50-65366J Tec. HSK70-130165-A Tec. HMSK80-155022	5 7 8	Two Stage Two Stage w/Diff Two Stage w/Diff
1974/1975 726-02 832-02	Tec. HSK70-130165A Tec. HMSK80-155022	7 8	Two Stage w/Diff Two Stage w/Diff
1976 524-04 625-01 826-01	Tec. HSSK50-67073A Tec. HSK60-75428L Tec. HMSK80-155022D	5 6 8	Two Stage Two Stage Two Stage w/Diff
1977/1978 524-05 625-02 826-02	Tec. HSSK50-67073B Tec. HSK60-75428m Tec. HMSK80-155022D	5 6 8	Two Stage Two Stage Two Stage w/Diff
1979 524-06 724-01 826-03 1026-01 1032-01	Tec. HSSK50-67073B Tec. HSK70-130165D Tec. HMSK80-155022D, E Tec. HMSK100-159033C Tec. HMSK100-159033C	5 7 8 10 10	Two Stage Two Stage Two Stage Two Stage w/Diff Two Stage w/Diff
1980 225-01	Tec. AH520-1598 Tec. AH520-1609	2.25 2.25	2-cycle, S/N 0100101- 0101101 2-cycle, S/N 0101102 & Up 2-cycle, ElecStart
225E-01 350-01 350E-01 500-01 500E-01 524-07 724-02 826-04 1026-02 1032-02	Tec. AH520-1608 Tec. H3545535M Tec. H35-45529M Tec. HS50-67187C Tec. HS50-67182C Tec. HSSK50-67073B Tec. HSK70-130165D Tec. HMSK80-15022D, E Tec. HMSK100-159033C Tec. HMSK100-159033C	2.25 3.5 3.5 5 5 5 7 8 10 10	Elec Start Elec Start Two Stage Two Stage Two Stage w/Diff Two Stage w/Diff Two Stage w/Diff
1981/1982 225-02 225E-02 350-02 350E-02 500-02 500E-02 524-08 724-03 826-05 1032-02-03	Tec. AH520-2609A Tec. AH520-1608A Tec. H35-45549N Tec. H35-45550N Tec. HS50-67197D Tec. HS50-67198D Tec. HSSK50-67073B Tec. HSK70-130165D Tec. HMSK80-155022D, E Tec. HMSK100-159033C	2.25 2.25 3.5 3.5 5 5 5 7 8 10	2-cycle 2-cycle, ElecStart Elec. Start Elec. Start Two Stage Two Stage Two Stage w/Diff Two Stage w/Diff

Key: B & S - Briggs & Stratton
La. - Lauson
Tec. - Tecumseh

SNOWTHROWER MODELS AND SPECIFICATIONS (CONT'D)

Model	Engine Model & Type	H.P.	Remarks
1983			
225-03	Tec. AH520-1609A	2.25	2-cycle
225E-03	Tec. AH520-1608A	2.25	2-cycle, Electric Start
350-03	Tec. H35-45549N	3.5	
350E-03	Tec. H35-45550N	3.5	Electric Start
500-03	Tec. HS50-67197D	5.0	
500E-03	Tec. HS50-67198D	5.0	Electric Start
524-09	Tec. HSSK50-67073D	5.0	Two Stage
724-04	Tec. HSK70-130165F	7.0	Two Stage
824-01	Tec. HMSK80-155022G	8.0	Two Stage
826-06	Tec. HMSK80-155022G	8.0	Two Stage w/Differential
1026-04	Tec. HMSK100-159033G	10.0	Two Stage w/Differential
1032-04	Tec. HMSK100-159033G	10.0	Two Stage w/Differential
1984/1985			
300-01	Tec. AH600-1633	3.0	2-cycle
300E-01	Tec. AH600-1634	3.0	2-cycle
350-04	Tec. H35-45549N	3.5	
350E-04	Tec. H35-45550N	3.5	Electric Start
500-04	Tec. HS50-67197D	5.0	
500E-04	Tec. HS50-67198D	5.0	Electric Start
524-09/10	Tec. HSSK50-67073D	5.0	Two Stage
724-04	Tec. HSK70-130165F	7.0	Two Stage
824-01/02	Tec. HMSK80-155022M/155282M	8.0	Two Stage w/Differential
826-06/07	Tec. HMSK80-155022M/155282M	8.0	Two Stage w/Differential (Alternator on 07)
1026-04	Tec. HMSK100-159033G	10.0	Two Stage w/Differential
1032-04/05	Tec. HMSK100-159033G/159102M	10.0	Two Stage w/Differential
1986			
300-02	Tec. AH600-1634B	3.0	2-cycle
500E-05	Tec. HS50-67198D	5.0	Electric Start
520-01	Tec. HS50-67198D	5.0	
5210-01	Tec. HSSK50-67257F	5.0	Two Stage
624-01	Tec. HSK60-75493	6.0	Two Stage
824-03	Tec. HMSK80-155282K	8.0	Two Stage
826-08	Tec. HMSK80-155282K	8.0	Two Stage w/Differential
1032-06	Tec. HMSK100-159033G	10.0	Two Stage w/Differential
1987			
300-03	Tec. AH600-1634B	3.0	2-cycle
322-01	B & S 62032-0651	3.0	2-cycle
500E-05	Tec. HS50-67198F	5.0	Electric Start
520-01	Tec. HS50-67198F	5.0	
624-01	Tec. HSK60-75493U	6.0	Two Stage
824-04	Tec. HMSK80-155022L	8.0	Two Stage
824B-01	Tec. HMSK80-155320L	8.0	Two Stage w/Blizzard Pack
826B-01	Tec. HMSK80-155320L	8.0	Two Stage w/Differ. & Blizzard Pack
1032B-01	Tec. HMSK100-159102K	10.0	Two Stage w/Differ. & Blizzard Pack
4021-01	Tec. HSSK40-55558J	4.0	Two Stage w/Auger Drive
5210-01	Tec. HSSK50-67257F	5.0	Two Stage
1988			
300-03	Tec. AH600-1634B	3.0	2-cycle
322-02	B & S 62037-0651	3.0	2-cycle
500E-05	Tec. HS50-67198E	5.0	Electric Start
520-01	Tec. HS50-67198F	5.0	
624-02	Tec. HSK60-75493U	6.0	Two Stage
824-06	Tec. HMSK80-155022L	8.0	Two Stage
824A-01	Tec. HMSK80-155282L	8.0	Two Stage w/Alternator
1026-05	Tec. HMSK100-159102K	10.0	Two Stage w/Diff. & Alternator
1032-07	Tec. HMSK100-159102K	10.0	Two Stage w/Diff. & Alternator
4021-02	Tec. HSSK40-55558J	4.0	Two Stage w/Auger Drive
5210-02	Tec. HSSK50-67257F	5.0	Two Stage

4

SNOWTHROWER MODELS AND SPECIFICATIONS (CONT'D)

Model	Engine Model & Type	H.P.	Remarks
1989*			
322-03	B & S 62037-0651	3.0	2-cycle
624-03	Tec. HSK60-75493U	6.0	Two Stage
824-07	Tec. HMSK80-155022L	8.0	Two Stage w/Diff.
824A-02	Tec. HMSK80-155282L	8.0	Two Stage w/Diff. & Alternator
1026-06	Tec. HMSK100-159102K	10.0	Two Stage w/Diff. & Alternator
1032-08	Tec. HMSK100-159102K	10.0	Two Stage w/Diff. & Alternator
4021-03	Tec. HSSK40-55558J	4.0	Two Stage w/Auger Drive
5210-03	Tec. HSSK50-67257F	5.0	Two Stage
1990			
322-03	B & S 62037-0651	3.0	2-cycle
824-08	Tec. HMSK80-155022L	8.0	Two Stage w/Diff.
824A-03	Tec. HMSK80-155282L	8.0	Two Stage w/Diff. & Alternator
1026-07	Tec. HMSK100-159102K	10.0	Two Stage w/Diff. & Alternator
1032-09	Tec. HMSK100-159102K	10.0	Two Stage w/Diff. & Alternator
4021-03	Tec. HSSK40-55558J	4.0	Two Stage w/Auger Drive
5210-03	Tec. HSSK50-67257F	5.0	Two Stage
1991			
322-03	B & S 62037-0651	3.0	2-cycle
824-08	Tec. HMSK80-155022L	8.0	Two Stage w/Diff.
824A-03	Tec. HMSK80-155282L	8.0	Two Stage w/Diff. & Alternator
1026-07	Tec. HMSK100-159102K	10.0	Two Stage w/Diff. & Alternator
1032-09	Tec. HMSK100-159102K	10.0	Two Stage w/Diff. & Alternator
4021-03	Tec. HSSK40-55558J	4.0	Two Stage w/Auger Drive
5210-04	Tec. HSSK50-67257F	5.0	Two Stage
1992			
824A-03	Tec. HMSK80-155282L	8.0	Two Stage w/Diff. & Alternator
1026-07	Tec. HMSK100-159102K	10.0	Two Stage w/Diff. & Alternator
5210-04	Tec. HSSK50-67257F	5.0	Two Stage
1993			
824A-03	Tec. HMSK80-155282L	8.0	Two Stage w/Diff. & Alternator
1026-08	Tec. HMSK100-159102K	10.0	Two Stage w/Diff. & Alternator
5210-04	Tec. HSSK50-67323L	5.0	Two Stage
1994 /1995**			
824A-04	Tec. HMSK80-155282L	8.0	Two Stage w/Diff. & Alternator
1026-08	Tec. HMSK100-159102K	10.0	Two Stage w/Diff. & Alternator
5210-04	Tec. HSSK50-67323L	5.0	Two Stage

*Changed colors to Dark Green & White **1995 - None built

SNOWTHROWER ENGINE RPM FULL THROTTLE (NO LOAD)

MINI		MID FRAME TWO STAGE		LARGE FRAME TWO STAGE	
H.P.	RPM	H.P.	RPM	H.P.	RPM
2.25 (1)	4300	4.0	3600	5.0	3600
3.0 (1)	4500	5.0	3600	6.0	3600
3.5	3500			7.0	3550
5.0	3600			8.0	3600
				10.0	3600

(1) - 2 Cycle

SNOWTHROWER ATTACHMENT INTERCHANGEABILITY*

(1970 to Present)

DESCRIPTION	MODEL	ACCESS NO.	55	75	225-01-02; 225/E-01-02	350-01/350E-01	500-01/500E-01	520	524-01/625/724/624	524-04 & Later	726	824/824B/824A	826-01-02-03-04	826-05 & Later/826B	832	1026/824	1032-01-02	1032-03 & Later/1032B	5210/4021
Blizzard Pack	6812 6813 6814 6933 42501										X		X						
Cab (1) (4)	6856 6930 6932 10770 42500	1726375							(8) (8) (9) (9)	X X	X X	(8) (8) (9) (9)	X X X	X X X		(8) (8) (9) (9)	X X X	(8) (8) (9) (9)	
Clutch Kit-Impeller	1280-02	1742020			X	X													
Light Assy.		1745785										(10)	(10)					(10)	
Roller Set	10772	1720893	X	X				X	X	X	X	X	X	X	X	X	X	X	X
Slicer Bar (2 of 1720887) Hardware Needed	10771		X	X				X	X	X	X	X	X	X	X	X	X	X	X
Starter Kit-110 Volt	6821 6848 6857 6878 10536 (Canada) 10538 12 Volt 16008	1750807 1725328 1725329 1728840	X				X		X		X								
										X									X
			X	X															
			X	X															
Tire Chains (F/4.10/3.50x4)	6948 6916	1750823 1756276																	(2) (2)
(F/350/410x6)	16013		X																
(F/4.10X3.50x6)	6850 6917	1725381 1756277						X (6)	X										
(F/13x5.00x6)	6855 16012	1725382										X	X						
(F/13x6.50x6)	6852	1725383		X										X					
(F/4.80/4.00x8)	6918	1756278										(6)				(6)			
	16214	1715616										X			X				
(F/16/6.50x8)	6919	1756279											X		X			(6)	
	16050	1716185																X	

*NOTE: Check Accessory or Sales Price List for availability.

X - Will fit without changes.

1 - Use adapter kit 1742843 when mounting cab to 524-08, 724-03 & 826-05.

New cabs have adapter kit included with cab.

2 - Model 5210 only.

3 - Does not include Tire Chains.

4 - Changed color to Dark Green in 1989.

5 - 824A-02, 1026-06 & 1032-08.

6 - For Carlisle "Snow Hog" Tires.

7 - Models 824A-04, 1026-07,08 & 1032-09.

8 - Does not fit models 624-04, 824-08, 824A-03, 1026-07 & 1032-09 or later models.

9 - Models 624-04, 824-08, 824A-03, 1026-07, 1032-09 or later models with new style handles.

10 - Models with alternator.

4

RIDING MOWER MODELS AND SPECIFICATIONS

Model	Engine Model & Type	H.P.	Width Cut	Elec. Start
1958 6421 6424 6466 6467	La. V30H-1-286P La. V30G-1-71P Cl. VS1100-138 La. VX40-1-75	3 3 3.5 4	24" 24" 24" 26"	
1959 6421 6428 7425 7467	La. V30H-1-286P La. V30H-1-286P La. V30H-1-279P La. VX55-1-306	3 3 3 5.5	24" 24" 24" 26"	
1960 1240 6032 6428 8424 8426 8436 9240	La. V30H-1-286P La. LV25A-1007 La. V30H-1286P Cl. FV3100-1103 Cl. V1200-1157 La. V55B-1089 B & S 81702-944608	3 3.5 3 3.5 4.5 5.5 3	24" 24" 24" 24" 26" 36" 24"	
1961 610 1268 8524 8526 8536 8640	La. La. V45B-1114P Cl. FV3100-1114 Cl. V1200-1157 La. V55B-1089 La. LV35	3 4.5 3.5 4.5 5.5 3.5	24" 26" 24" 26" 36" 24"	
1962 8624 8626	La. LV35L3124P La. V45A-3124P	3.5 4.5	24" 26"	
1963 8724-01 8726-01	B & S 100902-0154 B & S 140702-0125	4 5	24" 26"	
1964 8724-02 8726-02	B & S 100902-0154 B & S 140702-0125	4 5	24" 26"	
1965 8724-03 8726-03	B & S 100902-0154 B & S 140702-0125	4 5	24" 26"	
1966 8725-01 8727-01	B & S 100902-0154 B & S 144702-0122	4 5	24" 26"	
1967 8725-01 8727-01	B & S 100902-0154 B & S 144702-0122	4 5	24" 26"	
1968 8725-01 8728-01	B & S 100902-0154 B & S 130902-0195	4 5	24" 26"	
1969 8725-01 8728-01	B & S 100902-0154 B & S 130902-0195	4 5	24" 26"	
1970 None Built				

Model	Engine Model & Type	H.P.	Width Cut	Elec. Start
1971 None Built				
1972 728-01	Tec. V70-125172	7	28"	OPT.
1973 728-02	Tec. V70-125172	7	28"	OPT.
1974 828-01 829-01	Tec. VM80-150051 Tec. VM80-150037A	8 8	28" 28"	X
1975 828-01 829-01	Tec. VM80-150051 Tec. VM80-150037A	8 8	28" 28"	X
1976 828-01-02 829-01-02	Tec. VM80-150051 Tec. VM80-150037A	8 8	28" 28"	X
1977 828-02 829-02	Tec. VM80-150051C, D TeC. VM80-150037D	8 8	28" 28"	X
1978 828-03 829-02 829-03	B & S 190702-1150-01 Tec. VM80-150037D B & S 190705-1154-01	8 8 8	28" 28" 28"	X X
1979 528-02 830-02/03 831-02/03	B & S 130902-0606 B & S 190702-1174 B & S 190707-1166	5 8 8	28" 30" 30"	X
1980 528-03 830-03/04 830-04 831-04	B & S 130902-0606 B & S 190702-1174 B & S 190702-1183 B & S 190707-1182	5 8 8 8	28" 30" 30" 30"	
1981 628-01 830-04/05 831-04/05 940-01 1134-01	Tec. TVM140-70368K B & S 190702-1183 B & S 190707-1182 B & S 252707-0197 B & S 252707-0225	6 8 8 11 11	28" 30" 30" 40" 34"	X X X
1982 628-01 830-06 831-06 942-02 1134-02	Tec. TVM140-70368K B & S 190702-1183 B & S 190707-1182 B & S 252707-0229 B & S 252707-0225	6 8 8 11 11	28 30 30 42 34	X X X
1983 830-07 831-07	B & S 190702-2142 B & S 190707-2141	8 8	30 30	X

Key: B & S -Briggs & Stratton
Cl. - Clinton
La. - Lauson
Tec. -Tecumseh

RIDING MOWER MODELS AND SPECIFICATIONS (CONT'D)

Model	Engine Model & Type	H.P.	Width Cut	Elec. Start
1985				
830-08	B & S 190702-2142	8	30	
831-08	B & S 190707-2141	8	30	X
933-01	B & S 191707-5832	8	30	X
943-01	B & S 253707-0141	11	42	X
1136-02	B & S 252707-0647	11	36	X
1986				
933-02	B & S 191707-5832	8	30	X
936-01	B & S 253707-0705	11	36	X
943-01	B & S 253707-0141	11	42	X
2028-01	B & S 190707-2141	8	28	X
2030-01	B & S 190702-2142	8	30	
2036-01	B & S 252707-0647	11	36	X
1987				
933-02	B & S 191707-5832 & 5847	8	30	X
936-02	B & S 253707-0705	11	36	X
943-01	B & S 253707-0141	11	42	X
2028-02	B & S 190707-2167	8	28	X
2136-01	B & S 281707-0126	12	36	X (1)
1988				
944M-01	B & S 281707-0142	12	42	X (1)
2028-03	B & S 191707-2178	8	28	X
2136-03	B & S 281707-0168	12	36	X (1)
1989*				
944M-01	B & S 281707-0142	12	42	X (1)
2027-01	B & S 191707-2538	8	28	X
2028-04	B & S 193707-0353	8	28	X (1)
2136-04	B & S 281707-0168	12	36	X (1)
1990				
944M-02	B & S 281707-0142	12	42	X (1)
2027-01	B & S 191707-6036	8	28	X
2028-04	B & S 193707-0353	8	28	X (1)
2136-04	B & S 281707-0168	12	36	X (1)
1991				
944M-02	B & S 281707-0142	12	42	X (1)
966M-01	B & S 303777-0130-01	16	42	X (2)-hydro
2027-02	B & S 191707-6036	8	28	X
2028-05	B & S 193707-0353	8	28	X (1)
2136-05	B & S 281707-0168	12	36	X (1)
1992				
944M-02	B & S 281707-0142	12	42	X (1)
966M-01	B & S 303777-0130-01	16	42	X (2)-hydro
13000-01	B & S 191707-6036	8	28	X
13001-01	B & S 196707-0114-01	8.5	28	X (1)
13003-01	B & S 286707-0134	12.5	33	X (1)(3)
13005-01	B & S 286707-0134	12.5	36	X (1)
1993				
966M--01	B & S 303777-0130-01	16	42	X (2)-hydro
13000-01	B & S 191707-6036	8	28	X
13003-01	B & S 286707-0134	12.5	33	X (1)(3)

RIDING MOWER MODELS AND SPECIFICATIONS (CONT'D)

Model	Engine Model & Type	H.P.	Width Cut	Elec. Start
1993 Cont'd				
13007-01**	B & S 281707-0168	12.5	33	X(1)(3)
13055-01	B & S 195707-0113	8	28	X
1994 - 1995				
13055-01	B & S 195707-0113	8	28	X
13067-01	B & S 286707-0168	12.5	33	X(1)(3)

**Must remove throttle clip to obtain 3400 RPM

(1) B & S I.C. Engine

(2) B & S Vanguard Engine

(3) Mulching Mower Deck - 2 Blade

*Changed color to Dark Green, except 944M, 966M

RIDING MOWER ATTACHMENT INTERCHANGEABILITY*

Description	Model																		
		528, 628	728	828-01/02 828-03	829-01-02	829-03-06	830	831, 1130	1134-01-02	1134--03 & Later	1136-03	2027/2028	2030	2036	2136	13000/13001/13055	13003/13007	13005	
Blade-36" Snow	6861	1	X	X	X	X	(1)	(1)	(1)	(1)	X								
Bagging Attachment-Hopper/ Bagger (3 bu.)	6877 6885		X	X	X	X													
Backpacker (req. Boot Kit) (Req. Backpacker Adaptor)	6897 6951/52	X					X	X			X	X	X	X	X	X	X	X	X
PowerPacker	6028 6036											X				X			X
Cover	6914	X	X	X	X	X	X	X	X	X	X	X	X	X	X	X	X	X	X
Backpacker Adaptor (F/Back- packer)	6953 6954						X	X				X	X			X			X
Boot Kit (F/Backpacker)	6898 6899							X	X			X							
Disposable Bags (2 bu.) (F/Bagging Attachment)	6909						X	X			X	X	X	X	X				
Dump Cart (4.5 cu. ft.)	15110	X	X	X	X	X	X	X	X	X	X	X	X	X	X	X	X	X	X
Gage Wheel Kit (1736144)	6884	X					X	X											
Grass Catcher (Side)	6845	X	X	X	X	X													
Hitch & Boot (F/Vac)	15149	X	X	X	X	X													
Lawn Sweeper - 31"	18620 18621	X	X	X	X	X	X	X	X	X	X	X	X	X	X	X	X	X	X
Muffler Kit	6870			X	X														
Storage Cover	6914	X	X	X	X	X	X	X	X	X	X	X	X	X	X	X	X	X	X
Storage Stand	6957						X	X	X	X	X	X	X	X	X	X	X	X	X
String Trimmer - 12 volt	6888 30904				X	X			X	X	X	X	X	X	X	X	X	X	X
Thatch Eliminator	6907						X	X	X	X	X	X	X	X	X	X			X
Tire Chains (F/16x6.50x8) (F/4.80x4.00x8)	1716185 1715616	X	X	X	X	X	X	X			X	X	X	X	X				

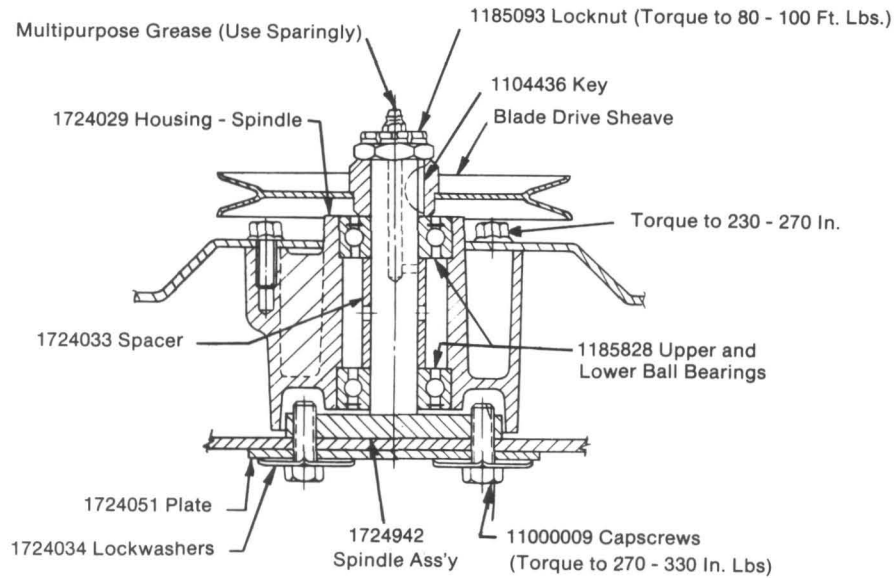
*NOTE: Check Accessory or Sales Price List for availability

1 - Model 6892 Adaptor Kit needed with 528-03,
628, 830-04, 831-04 & 1134.

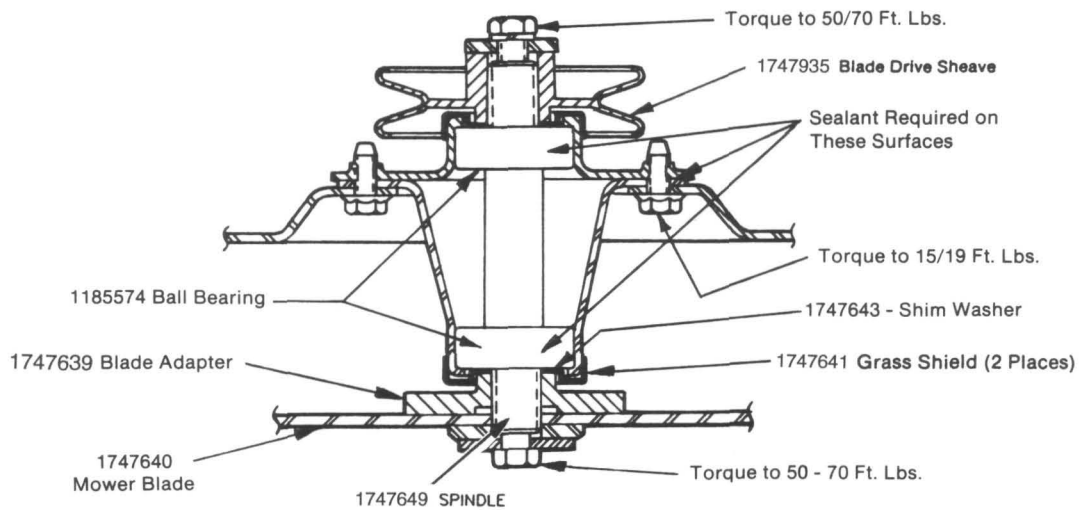
X - Will fit without changes.

RIDING MOWER SPINDLE ASSEMBLIES

MODELS 728, 828, 829 & 1134 28" & 34" MOWER



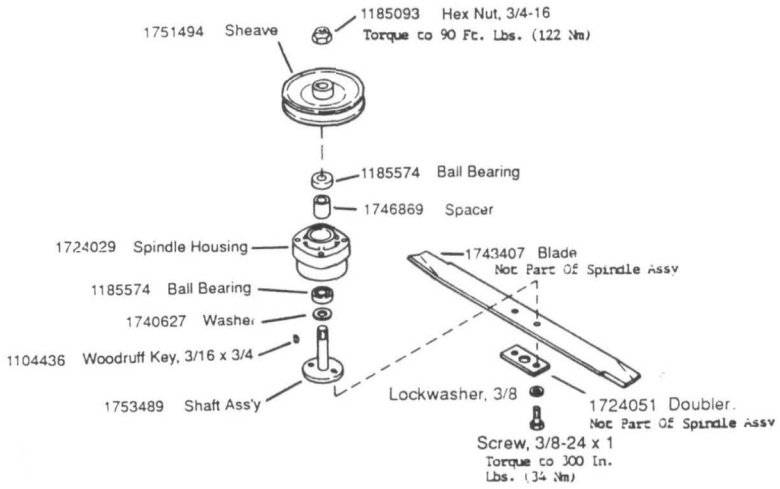
MODELS 1136 & 2136 36" MOWER



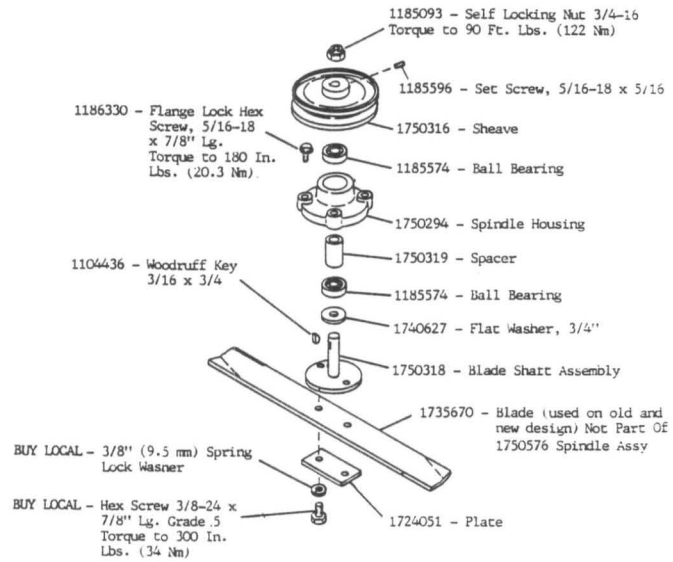
5

RIDING MOWER SPINDLE ASSEMBLIES (CONT'D)

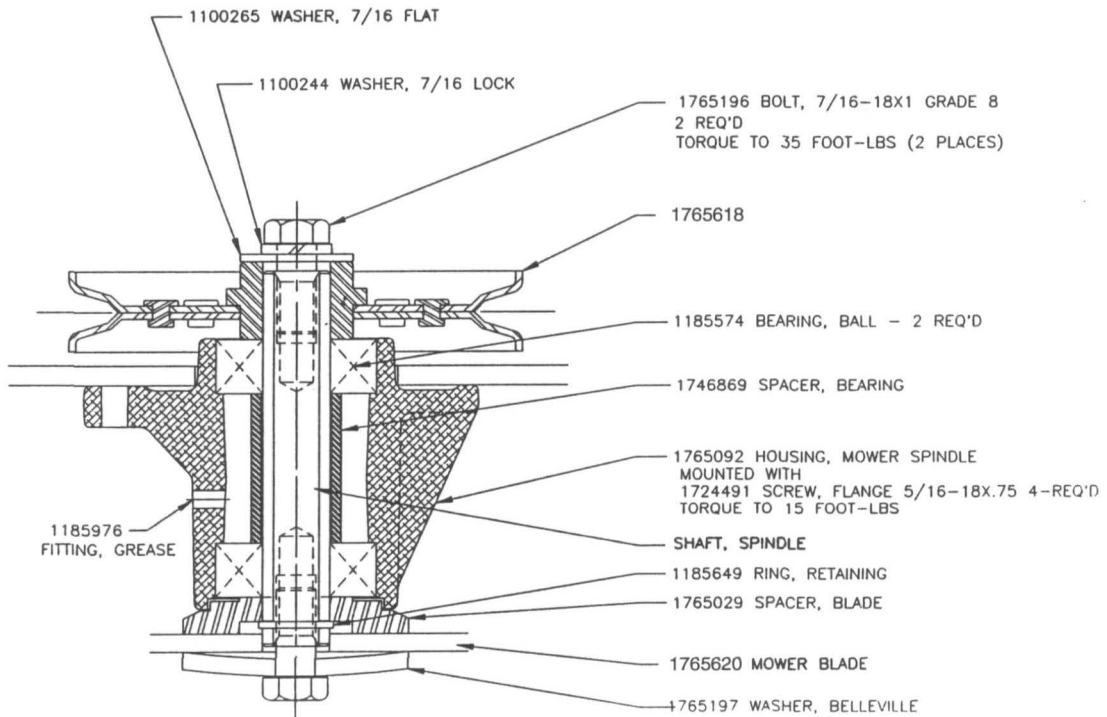
MODELS 2027, 2028-02 & LATER 28" MOWER - 1763440



MODELS 2030 30" MOWER - 1750576



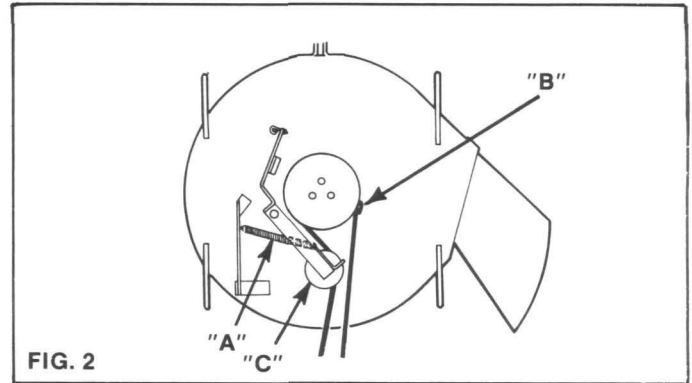
MODELS 13055 & 13067 MOWERS



RIDING MOWER BELT REPLACEMENT

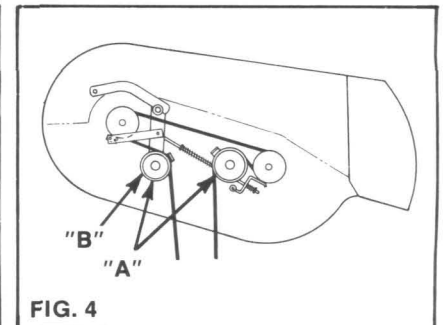
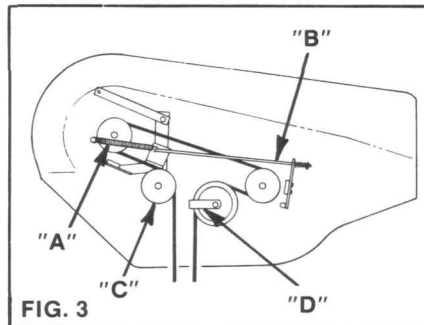
RIDING MOWER - 28" AND 30" (FIG. 2)

1. Remove spring (A) from idler arm.
2. Loosen belt guide (B) on the mower pulley.
3. Remove the belt from the mower pulley.
4. Remove idler pulley (D) from idler arm.
5. Loosen belt guide (E) Fig. 5 under engine and remove belt.
6. Install new belt by reversing the above procedure.



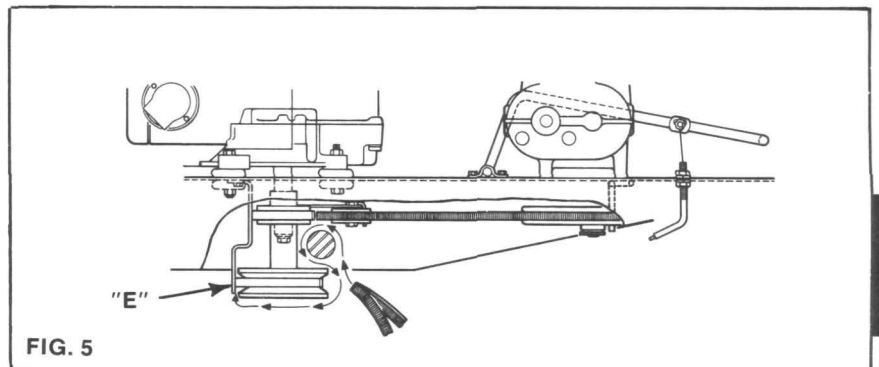
RIDING MOWER - 34" MOWER (FIG. 3)

1. Remove spring (A) from idler arm.
2. Remove brake rod (B) from idler arm.
3. Loosen idler pulley (C).
4. Loosen belt guide (D) on stationary pulley.
5. Loosen belt guide (E) Fig. 5 under engine and remove belt.
6. Install new belt by reversing the removal procedure.



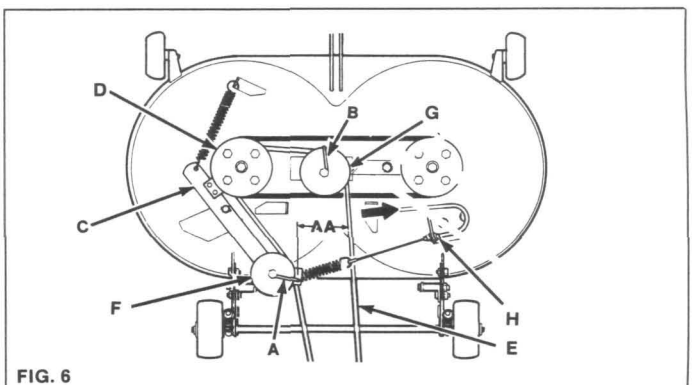
RIDING MOWER - 36" MOWER (FIG. 4)

1. Loosen belt guide (E) Fig. 5 on engine pulley and remove belt.
2. Cut old belt and remove.
3. Loosen idler pulleys (A) and insert new belt inside belt guides. Tighten idlers.
4. Pivot idler (B) to swing brake blocks from sheaves. Route belt around sheaves as shown.
5. Install mower onto tractor.
6. Position belt onto engine sheave and tighten belt guide (E) Fig. 5.



RIDING MOWER - 33" MOWER (FIG. 6)

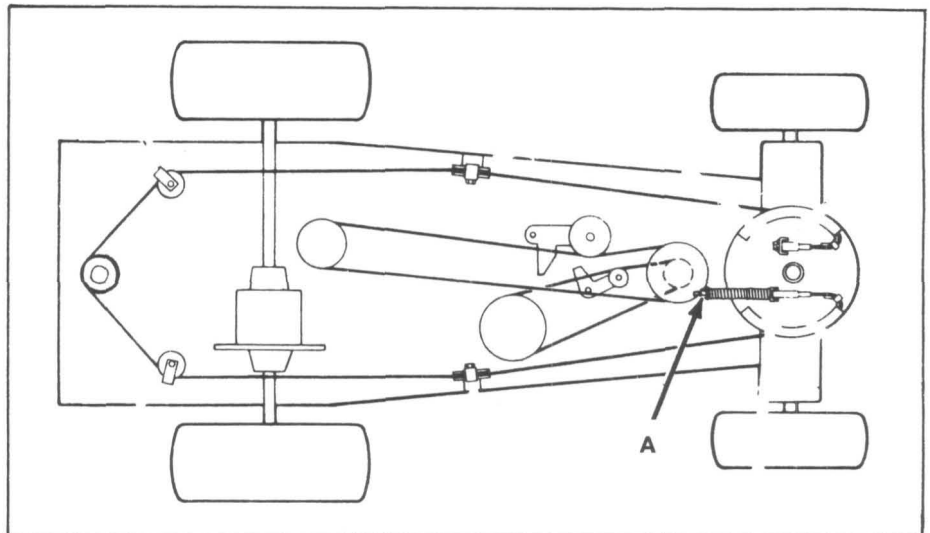
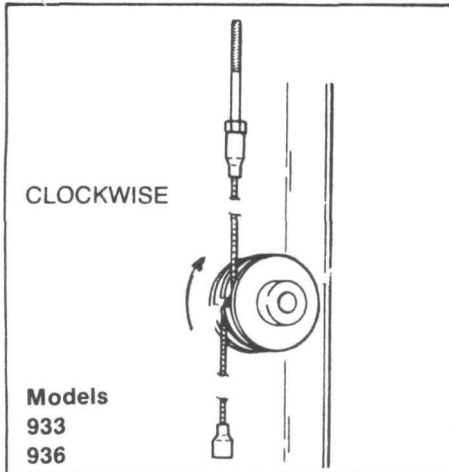
1. Loosen belt guides (A & B Fig. 6).
2. Rotate idler arm (C) away from pulley (D). Replace belt (E) with new belt.
3. Route belt between idler (F) and belt guide (A). Place guide (A) in approximate position shown and secure.
4. Place new belt into groove of stationary idler (G) and secure belt guide (B) in rear of slot as shown.
5. Place new belt into groove of engine pulley and assemble belt guide (Fig. 5) as far forward as possible. Re-tighten guide and bolt heads on differential. A gap of 1/8" should exist.
6. Lift mower blade drive lever to engage drive (H).



7. Check clearance between belt at point (AA, Fig. 6). If there is not at least a 1" (2.5 cm) gap, move mower ahead by adjusting nuts on lift arms.

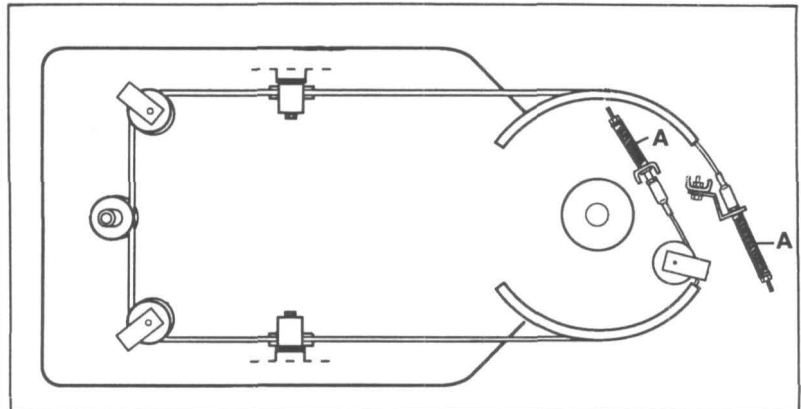
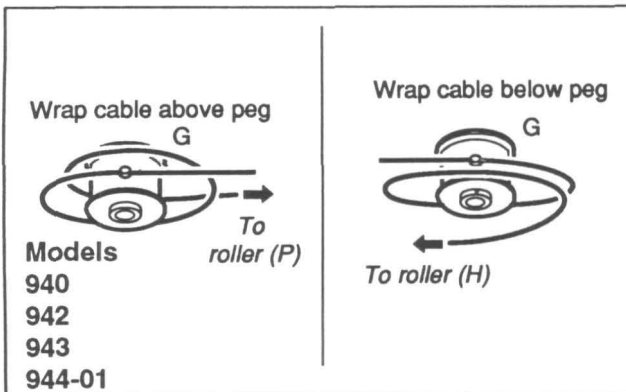
NOTE: BLADES SHOULD BE PERPENDICULAR TO EACH OTHER.

REAR/FRAME STEER STEERING ADJUSTMENT



Adjust the cable length by relocating nut (A) until the spring is under tension and all steering wheel play is removed.

FS STEERING KIT #1764771



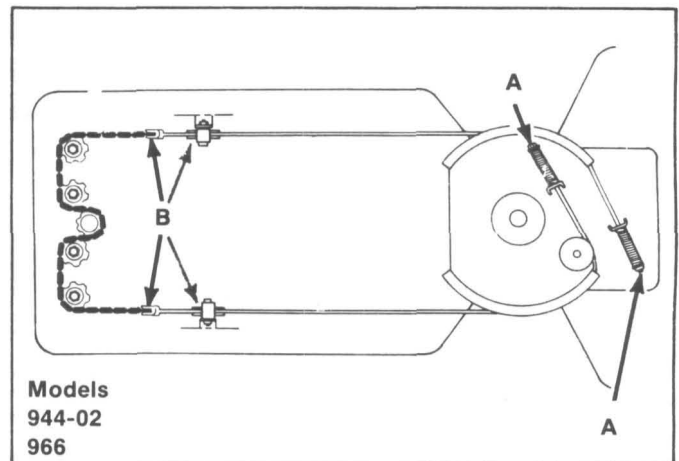
Adjust the steering cable by tightening lock nuts (A) so length of spring is 4-1/4". **Do not twist cable when tightening nut.** There should be tension on the steering cable and all play out of the steering wheel.

FS STEERING

Model 944 (serial numbers 0200101 and later) & 966.

Tension the steering cables by tightening up the nuts at (A). The screws in the ends of the cables should be held firmly during adjustment. Use an adjustable wrench or similar.

Adjust BOTH cables so that the distance between the pulley at (B) and the chain is the same in both sides of the machine.



Tension the wires until they are no longer slack. Once adjustment is complete, turn the steering wheel as far as it will go

in either direction. Check that the chain does not come in contact with the pulley, and that the cables do not become entangled with the steering pinions.

REAR/FRAME STEER ATTACHMENT INTERCHANGEABILITY*

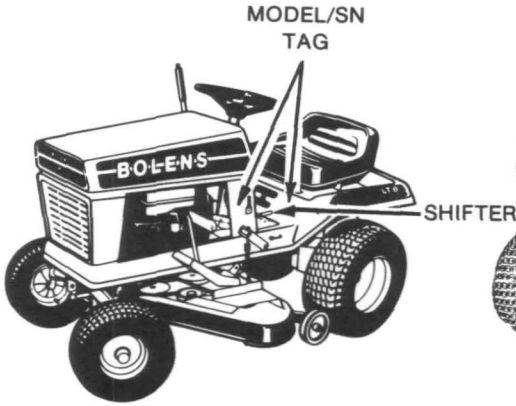
Description	Model/PN	FS11	FS11	FS	VILLA	VILLA
		940	942	943 944M 966M	933	936
Backpacker (Req. Backpacker Adaptor)	6951/6952 15535				X X	
Backpacker Adaptor (F/Backpacker)	6960 6955				X	X
Belt (F/15124 Snowthrower to Hitch) (Mower Drive)	1733439 1752128 1743896	X (6)	X X			
Blade - 40" Snow	15123	X	X			
Dump Cart - 4.5 cu. ft.	15110	X	X	X		
Mower - 30" Side Discharge	15530				X	
36" Side Discharge	15636					X
40" Rear Discharge	15550	(4)				
42" Side Discharge	14043 15570	(3) (3)	X X	X X		
Mower Adaptor Kit (convert to 15570-01 mower)	15127	X				
Snowthrower - 32" Single Stage (Req. Hitch)	15124-01	X	(1)			
Snowthrower Hitch	15125-01	X	(2)			
Storage Cover	30914	X	X	X	X	X
String Trimmer - 12 Volt	6888 30904	X X	X X	X X	X X	X X
Tire Chains (F/16x6.50-8)	1716185	X	X	X		
Wheel Weights (pr) 70 lbs.	18031 18032 18033	X X	X X	X		
50 lbs.	6958				(5)	X

*NOTE: Check Accessory or Sales Price List for availability.

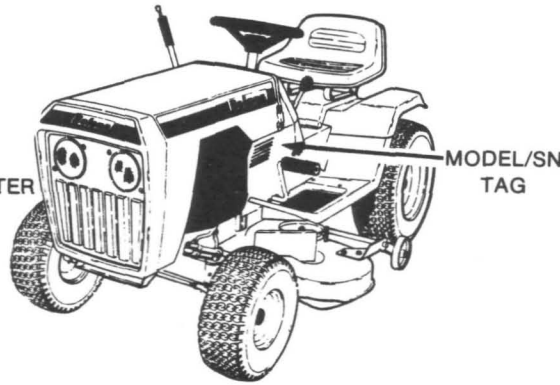
- 1 - Will fit with v-belt 1743519 and gear box rotated. See Product Bulletin 79.
- 2 - Hitch pulley & associated parts must be removed from single belt drive installation.
- 3 - Parts required to mount 42" mower to 940 tractor:
 - 1 - 15570 42" Mower 1 - 1813312 Screw 1 - 1813546 Spacer
 - 1 - 18113252 Lock Washer 1 - 1813545 Pulley
- 4 - Double v-belt not available. Order (1) 1752128 v-belt. When installing check idler alignment at normal cutting height. Relocate idler if not aligned (See Newsletter Jan. 24, 1986).
- 5 - Fits units with serial numbers 0200101 and later.
- 6 - Replace matched or dual "V" belt with single belt on 40" rear discharge mower.

5

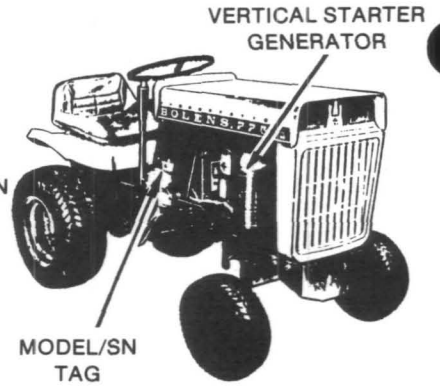
TRACTOR IDENTIFICATION
(for Pages 31 thru 39)



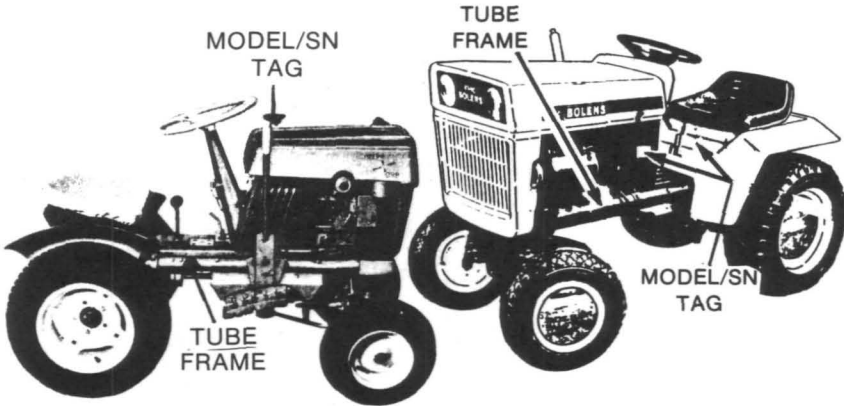
SMALL (STAMPED) FRAME (A)
(Attachments - Page 58)



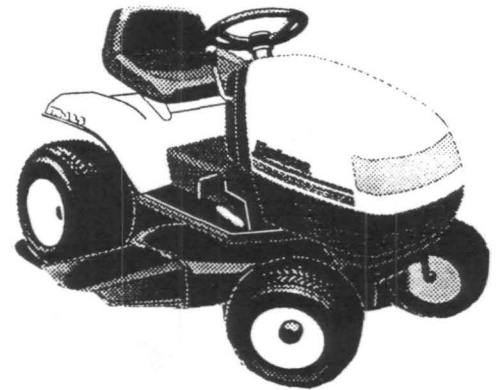
LAWN & YARD FRAME (D)
(Attachments - Page 60)



SMALL FRAME (B)
(Attachments - Page 59)



MEDIUM (TUBE) FRAME (C)
(Attachments - Page 60)

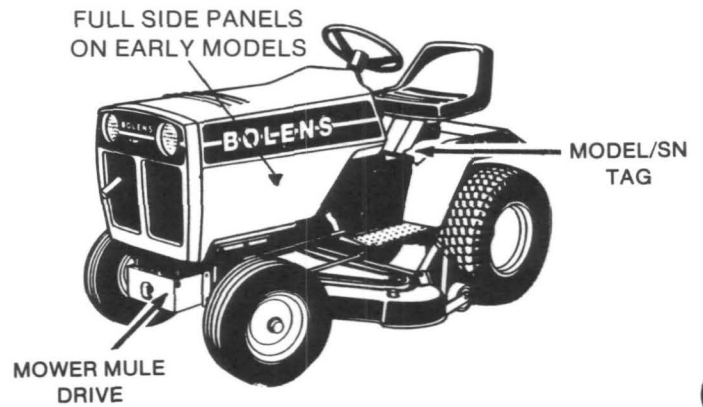


SUBURBAN SERIES (P)
(Attachments - Page 71)

6

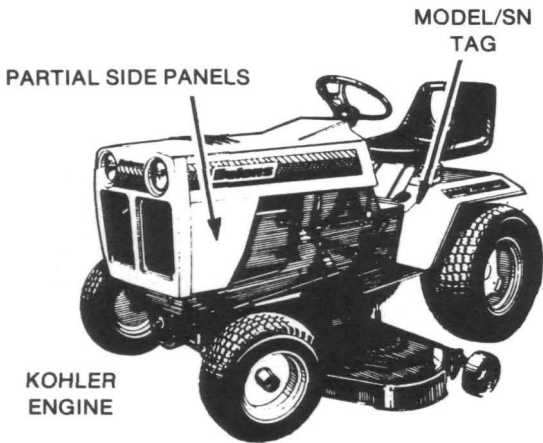


SUBURBAN SERIES (E)
(Attachments - Page 69)

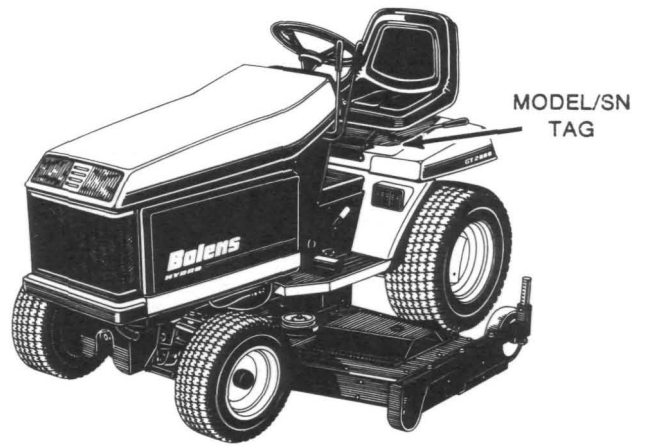


MEDIUM FRAME (F)
(Attachments - Page 65)

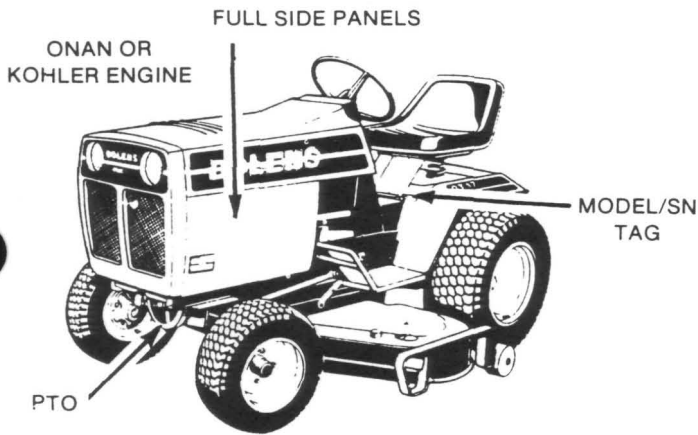
TRACTOR IDENTIFICATION (CONT'D)



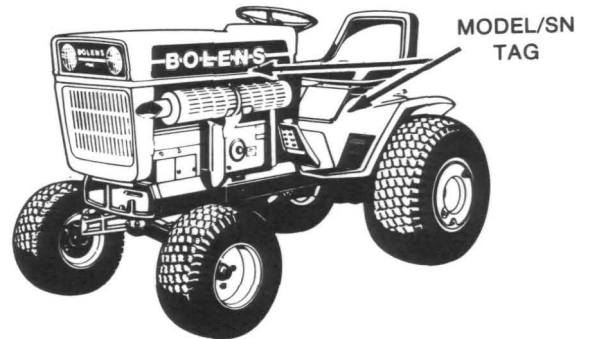
5000 SERIES FRAME(G)
(Attachments - Page 72)



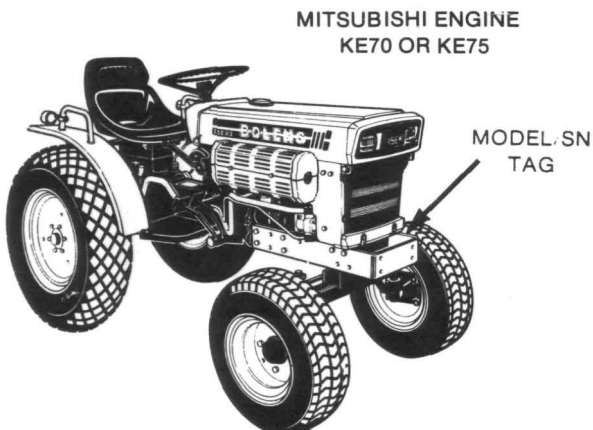
5100 SERIES FRAME (H)
(Attachments - Page 72)



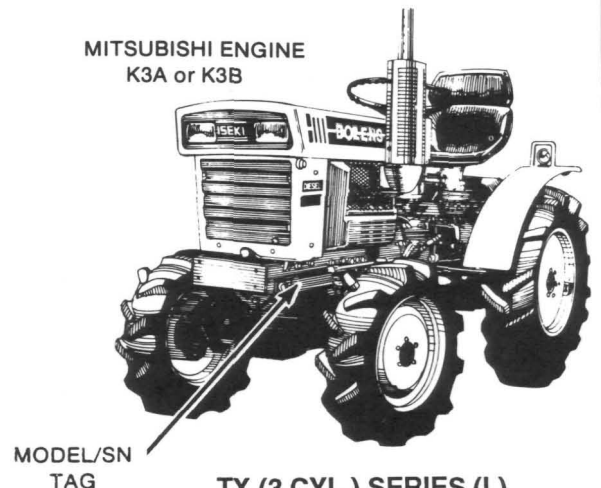
"Q" SERIES FRAME (I)
(Attachments - Page 74)



LARGE (CHANNEL) FRAME (J)
(Attachments - Page 75)



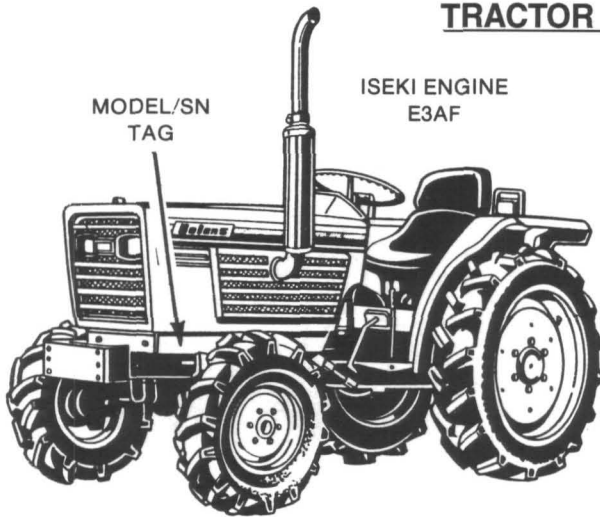
TX (2 CYL.) SERIES (K)
(Attachments - Page 77)



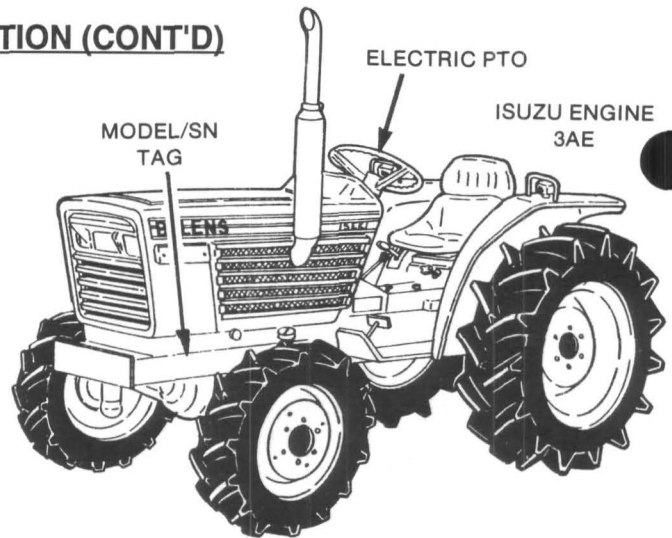
TX (3 CYL.) SERIES (L)
(Attachments - Page 78)

6

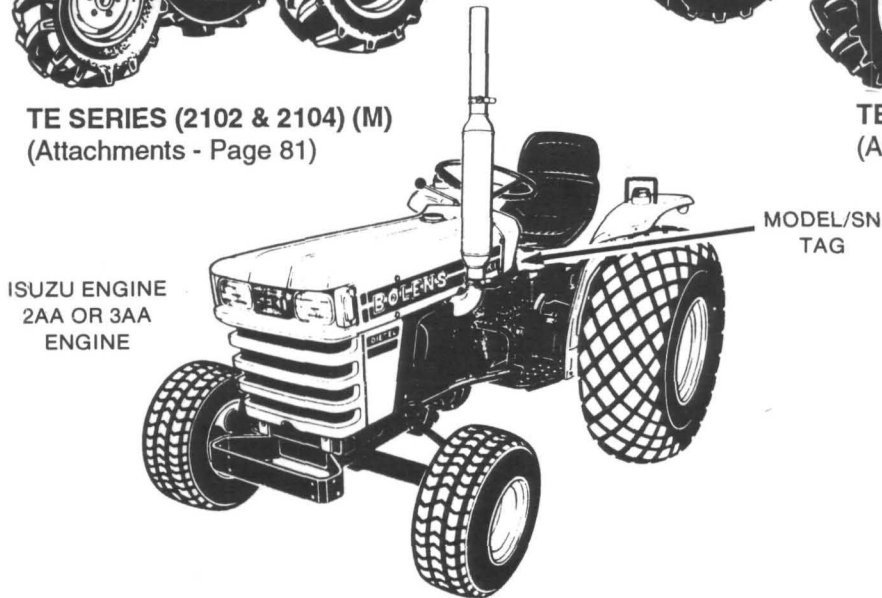
TRACTOR IDENTIFICATION (CONT'D)



TE SERIES (2102 & 2104) (M)
(Attachments - Page 81)



TE SERIES (2702 & 2704) (N)
(Attachments - Page 82)



TS SERIES (1902, 1910, 2420, 2902, 2904) (O)
(Attachments - Pages 80 and 83)

DIESEL MODEL NUMBERS

ISEKI (TAG)	BOLENS (DECAL)
TX1300	TX1300 (G152)
TX1300F	TX1300F (G154)
TX1500	TX1500 (G172)
TX1500F	TX1500F (G174)
TX2140T	TX1502 (G152)
TX2140F	TX1504 (G154)
TX2160F	TX1704 (G174)
TX2140T HST	TX1502H (H152)
TX2160F HST	TX1704H (H174)
TS1910T	TX1910 (G192)
TS1910F	TS1910F (G194)
TS2220T	TS2420 (G242)
TS2220F	TS2420F (G244)
TS2810T	TS2902 (G292)
TS2810F	TS2904 (G294)
TE3210T	2102 (G212)
TE3210F	2104 (G214)
TE4270T	2702 (G272)
TE4270F	2704 (G274)

6

TRACTOR MODELS AND SPECIFICATIONS

Model	Engine Model & Type	H.P.	Type
1949/1950			
B6A4	Wis./B & S	3.0	W
B6A5	Wis./B & S	3.0	W
B6A5S	Wis./B & S	3.0	W
B6A20	Wis./B & S (1949)	3.0	W
HB63A5	B & S (1949)	3.0	W
10A	B & S NS-305118	1.1	W
12B	B & S 8R6-905899	2.5	W
12BA	Cl. B764-C.O.C. (1950)	2.0	W
12BB	B & S 8R6-905899 (1950)	2.5	W
35AA	Wis. BKN-121304	6.0	R
35AB	Wis. BKN-121304	6.0	R
653	B & S 23-203051 (1950)	8.0	R
1951/1952			
1953			
B6A4	Wis. ACN	3.0	W
B6A5	Wis. ACN	3.0	W
B6A5S	Wis. ACN	3.0	W
10C	B & S 6S-701045	1.6	W
10CB	B & S 81302-493537 (1953)	2.5	W
12BA	Cl. B764-C.O.C.	2.0	W
12BB	B & S 8R6-905899	2.5	W
35AA	Wis. BKN-121304 (1951/52)	6.0	R
35AB	Wis. BKN-121304	6.0	R
35AB2	Wis. BKN-121304 (1953)	6.0	R
1954			
B6A4	Wis. ACN	3.0	W
B6A5	Wis. ACN	3.0	W
B6A5S	Wis. ACN	3.0	W
10C	B & S 6S-701045	1.6	W
10CB	B & S 81302-493537	2.5	W
15FA	Cl. C700	2.0	W
15FB	B & S 81302-493537	2.5	W
15FC	B & S 81302-493537	2.5	W
15FD	Ko. K91T-31268A	3.6	W
35AB	Wis. BKN-121304	6.0	R
35AB2	Wis. BKN-121304	6.0	R
1955/1956			
B6A4	Wis. ACN (1955)	3.0	W
B6A5	Wis. ACN (1955)	3.0	W
B6A5S	Wis. ABN	3.0	W
10C	B & S 6S-701045	1.6	W
10CB	B & S 81302-493537	2.5	W
15FA	Cl. C700	2.0	W
15FB	B & S 81302-493537	2.5	W
15FC	B & S 81302-493537	2.5	W
15FD	Ko. K91T-31268A	3.6	W
20HD	Ko. K91T-31268A (1956)	3.6	W
35AB	Wis. BKN-121304	6.0	R
35AB2	Wis. BKN-121304	6.0	R
35AB3	Wis. BKN-121304	6.0	R
38AB	B & S 23-203051	8.0	R
38AB2	B & S 23-203051	8.0	R
38A3	B & S 23-203051	8.0	R
1957			
15FC	B & S 81302-493537	2.0	W
15FD	Ko. K91T-31268A	3.6	W
15FE	Cl. A2100	2.0	W
15FH	Ko. K161-28118E	6.6	W
20HD	Ko. K91T-31268A	3.6	W
21HD	Ko. K161-28118E	6.6	W
38AB2	B & S 23-203051	8.0	R
38AB3	B & S 23-203051	8.0	R

*Bolens Design has Belt Changer for HI and LO Range

Sales Descript.	Model	Engine Model & Type	H.P.	Trans.		Flywheel Mag.	Remarks
				Speeds*	Bolens		
1958							
Old 38AB2	112	B & S 23-203051	8				
Old 38AB3	113	B & S 23-203051	8				
Old 15FE	152-01	Cl. A2100	2.75				W
Old 15FC	153-01	B & S 81302-493537	2.75				W
Old 15F	154-01	Ko. K91T-31268A	3.6				W
Old 15FH	155-01	Ko. K161-28118E	6.6				W
Old 20HD	200	Ko. K91T-31268A	3.6				
Ride-A-Matic	220	Ko. K161-28228E	6.6		X	X	
1959							
	153-03	B & S 81302-493537	3		X	X	W
	154-03	Ko. K91T-31268A	4		X	X	W
	155-02	Ko. K161-28118E	6.6		X	X	W
Ride-A-Matic	230	Ko. K161-28118E	7		X	X	MS
1960							
	153-03	B & S 81302-493537	3		X	X	W
	154-03	Ko. K91T-31268A	4		X	X	W
	155-02	Ko. K161-28118E	7		X	X	W
	170-02	LaV45C-1220fP	4.5		X	X	C
Ride-A-Matic	231-01	Ko. K161-28118E	7		X	X	
Ride-A-Matic	232-01	Ko. K161-28118E	7		X	X	
1961							
	153-03	B & S 81302-493537	3		X	X	W
	154-03	Ko. K91T-31268A	4		X	X	W
	155-02	Ko. K161-28118E	7		X	X	W
	170-03-04	La. V45C-1220P	4.5		X	X	C
Ride-A-Matic	233-01	Ko. K161-28118E	7		X	X	M
Ride-A-Matic	234-01	Ko. K161-28118E	7		X	X	
1962							
600	180-01-02	B & S 142302-019801	6	3	X	X	MS
600	181-01-02	B & S 142301-019701	6	3	X	X	
Ride-A-Matic	235-01	Ko. K161-28118E	7		X	X	MS
Ride-A-Matic	236-01	Ko. K161-28118E	7		X	X	
1963							
600	180-03	B & S 142302-019801	6	3	X	X	MS
600	181-03	B & S 142301-019701	6	3	X	X	
800	186-01	Wis. S7D-218981	7.25	3	X	X	MS
800	187-01	Wis. S7D-218981	7.25	3	X	X	
1964							
600	180-04	B & S 142302-019801	6	3		X	MS
600	181-04	B & S 142301-019701	6	3		X	
900	188-01	Wis. S8D-231552	8.25	3		X	MS
900	189-01	Wis. S8D-231552	8.25	3		X	
L.K.	910-01	B & S 142702-913201	6			X	MS
E.K.	930-01	Wis. S7D-230116	7.25	3		X	
1965							
600	180-04	B & S 142302-019801	6	3		X	MS
600	181-04	B & S 142301-019701	6	3		X	
900	188-02	Wis. S8D-231552	8.25	3		X	MS
900	189-02	Wis. S8D-231552	8.25	3		X	
1000	190-01	Wis. TR10D-241195	10	6		X	
L.K.	910-01	B & S 142702-913201	6			X	MS
E.K.	930-02	Wis. S7D-230116	7.25	3		X	

Key: B & S - Briggs & Stratton W - Walking
 Cl. - Clinton C - Convertible
 Ko. - Kohler MS - Manual Start
 La. - Lauson R - Riding
 Wis. - Wisconsin

TRACTOR MODELS AND SPECIFICATIONS (CONT'D)

Sales Descript.	Model	See Pages 28, 29	Engine Model & Type	H.P.	Transmission							Ign.			Remarks
					Speeds	Eaton Hyd. *	Eaton Trans.	Sund. 15 Hyd.	Peerless	Bolens	Lube/Capacity (See Page 39)	Solid State	Battery	Flywheel Mag.	
1966															
650	184-01	C	B & S 146402-014801	6	3					X	BS			X	Manual Start (8)
650	185-01	C	B & S 146401-014701	6	3					X	BS			X	Manual Start (8)
850	191-01	C	Wis. S8D-231552	8.25	3					X	BS			X	(8)
1050	192-01	C	Wis. TR10D-241195	10	6					X	BS			X	Manual Start (9)
L.K.	910-02		B & S 142702-913201	6							AF			X	Manual Start (9)
L.K.	911-01		La. V60-70093D	6							AF			X	Manual Start (9)
E.K.	930-02		Wis. S7D-230116	7.25	3					X	BS			X	
1967															
750	171-01	C	B & S 170402-013001	7	3					X	BS			X	Manual Start (8)
750	172-01	C	B & S 170401-013101	7	3					X	BS			X	(8)
850	191-02	C	Wis. S8D-271995	8.25	3					X	BS		X	X	(8)
1050	192-02	C	Wis. TRA10D-285633	10	6					X	BS		X	X	Manual Start (9)
1250	197-01	J	Wis. S12D-281960	12		12	X				DPW		X	X	Manual Start (9)
L.K.	909-01		La. LAV50-60123G	5							AF			X	Manual Start (9)
L.K.	911-01		La. V60-70093D	6							AF			X	Manual Start (9)
E.K.	931-01		Wis. TRA10D-286809	10	6					X	BS		X	X	
1968															
770	160-01	B	B & S 170702-062701	7	3				X		BL			X	Manual Start
770	161-01	B	B & S 170701-062801	7	3				X		BL			X	(8)
850	191-02	C	Wis. S8D-271995	8.25	3					X	BS		X	X	(8)
1050	192-02	C	Wis. TRA10D-285633	10	6					X	BS		X	X	Manual Start (9)
1250	197-02	J	Wis. S12D-281960	12.5		12	X				DPW		X	X	Manual Start (9)
L.K.	914-01		La. V50-60123G	5							AF			X	Manual Start (9)
L.K.	915-01		La. V60-70093D	6							AF			X	Manual Start (9)
E.K.	931-02		Wis. TRA10D-286809	10	3					X	BS			X	
1969															
770	164-01	B	B & S 170702-062701	7	3				X		BL			X	Manual Start
770	165-01	B	B & S 170701-062801	7	3				X		BL			X	(8)
775	166-02	B	B & S 170701-062801	7		6			X		BKD			X	(8)
850	191-02	C	Wis. S8D-285662	8.25	3					X	BS		X	X	Manual Start (9)
1050	192-02	C	Wis. TRA10-285633	10	6					X	BS		X	X	
1220	193-01	C	La. HH120-120061B	12	6					X	BS		X	X	
1225	194-01	C	Wis. TRA12D-318973	12		10				X	BND		X	X	Manual Start (9)
1250	197-03	J	Wis. S12D-281960	12.5		12	X				DPW		X	X	Manual Start (9)
1455	198-01	J	Wis. S14D-309245	14		12	X				DPW		X	X	Manual Start (9)
1455	198-02	J	Wis. S14D-318974	14		12	X				DPW		X	X	Manual Start (9)
L.K.	914-02		La. V50-60123G	5							AF			X	Manual Start (9)
L.K.	915-03		La. V60-70166G	6							AF			X	Manual Start (9)
E.K.	931-02		Wis. TRA10D-286809	10	3					X	BS		X	X	
1970															
L.K.	730-01	B	B & S 170702-062701	7	3				X		BL			X	Manual Start
	733-01	B	B & S 170701-062801	7	3				X		BL			X	(8)
	736-01	B	B & S 170701-062801	7		6			X		BKD			X	Manual Start (9)
	853-03	C	B & S 190401-013901	8	3					X	BS			X	(8)
	915-03		La. V60-70166G	6							AF			X	Manual Start (9)
	1053-01-02	C	Wis. TRA10D-285633	10	6					X	BS		X	X	
	1253-01	C	Tec. HH120-120090C	12	6					X	BS		X	X	
	1256-01	C	Wis. TRA12D-335600	12		10				X	BND		X	X	
	1257-01	C	Tec. HH120-120090C	12		10				X	BND		X	X	
	1476-01	J	Wis. S14D-318974	14		12	X				DPW		X	X	
1971															
	510-01-02	A	B & S 120902-027601	5	3				X		BG			X	Manual Start
	610-01-02	A	B & S 146702-115301	6	3				X		BG			X	Manual Start
	613-01-02	A	B & S 146707-115401	6	3				X		BG			X	(8)
	813-01	A	B & S 191707-063101	8	3				X		BG			X	
	853-03	C	B & S 190401-013901	8	3					X	BS			X	
	1054-01	C	Wis. TRA10D-285633	10	6					X	BS		X	X	

Footnotes: Page 39

TRACTOR MODELS AND SPECIFICATIONS (CONT'D)

Sales Descrip.	Model	See Pages 28, 29	Engine Model & Type	H.P.	Transmission							Ign.			Remarks
					Speeds	Eaton Hyd. *	Eaton Trans.	Sund. 15 Hyd.	Peerless	Bolens	Lube/Capacity (See Page 39)	Solid State	Battery	Flywheel Mag.	
1971 <u>(Cont'd)</u>	1254-01	C	Wis. TRA12D-335600	12	6					X	BS	X			
	1256-02	C	Wis. TRA12D-335600	12		10				X	BUD	X			
	1476-01	J	Wis. S14D-318974	14		12	X				DPW	X			
	1477-01	J	Wis. S14D-342332	14		12	X				DPW	X			
	1886-01	J	Ko. K482S-35113B	18		12	X				DPW		X		
1972	510-02	A	B & S 130902-027601	5	3				X		BG			X	Manual Start
	613-03	A	B & S 146707-115401	6	3				X		BG			X	Manual Start
	813-02-03	A	B & S 191707-063101	8	3				X		BG			X	
	1054-02-04	C	Wis. TRA10D-285633	10	6					X	BS		X		
	1254-02-04	C	Wis. TRA12D-335600	12	6						BS	X			
	1254-05-06	C	Wis. TRA12D-357448	12	6						BS	X			
	1256-03-04	C	Wis. TRA12D-335600	12		10				X	BND	X			
	-06-07	C	Wis. TRA12D-357448	12		10				X	BND	X			
	1556-01-02	C	Tec. HH150-170001	15		10				X	BND	X			(11)
	-03														
	1886-02-03	J	Ko. K482S-35113B	18		12		X			DPW		X		
	-04														
1886S-05	J	Ko. K482S-35208B	18				X		X	CP		X			
1973	G8	813-04	A	B & S 191707-063101	8	3				X	BG			X	(8)
	G10	1055-01	C	Tec. HH100-115181D	10	3					BS	X			
	G14	1453-01	C	Tec. HH140-160001	14	6					BS	X			
	H16	1656-01	C	Tec. HH160-170005	16		10				BS	X			
	QT16	1666-01	J	Onan BF/MS 2425A	16				X		CP		X		
	HT18	1886S-06	J	Ko. K482S35208B	18				X		CP		X		
	HT20	2086-01	J	Ko. K352S-53100A	19.5				X		CP		X		
	1974	G8	813-05	A	B & S 191707-063101	8	3				X	BG			X
G10		1055-01	C	Tec. HH100-115181D	10	3					BS				
G14		1453-02-03	C	Tec. HH140-160001	14	6					BS	X			
H14		1456-01-02	C	Tec. HH140-160001	14		10				BND	X			
QS16		1660-01	J	Ko. K341 AQS-71172A	16				X		CP		X		
QT16		1666-02	I	Onan BF/MS 2425B & C	16				X		CP		X		
HT20		2087-02	J	Ko. K532S-53102A	19.5				X		CP		X		
1975		G8	813-05	A	B & S 191707-063101	8	3				X	BG			X
	G10	1055-02	C	Tec. HH100-115181D	10	3					BS	X			
	G14	1453-03	C	Tec. HH140-160016	14	6					BS	X			
	H14	1456-02-03	C	Tec. HH140-1660016	14		10				DP				(10)
	QS16	1660-01	I	Ko. K341-AQS-71172A	16				X		CP		X		
		-02		Ko. K341-ASQ-71176A	16				X		CP		X		
	QT16	1666-02-03	I	Onan BF/MS 2425C	16				X		CP		X		
	HT20	2087-02	J	Onan BF/MS 2938D Ko. K532S-53102A Ko. K532S-53138A	16 19.5				X		CP CP		X X		
1976	G8	813-05-06	A	B & S 191707-063101	8	3				X	BG			X	(8)
	G9	855-01	C	B & S 190417-090201	8	3					BS			X	(8)
	G10	1055-03	C	B & S 251417-015901	10	3					BS			X	
	G12	1255-01	C	Tec. HH120-120199E	12	6					BS	X			
	G14	1453-03	C	Tec. HH140-160016	14	6					BS	X			
	GT14	1460-01	F	Tec. HH140-160027A	14						BNW	X			
	H14	1456-03	C	Tec. HH140-160016	14		10				BS	X			5 Spd
	H16	1656-02-03	C	Tec. HH160-170056	16		10				DP	X			(10)
	QS16	1660-02	I	Ko. K341 AQS-71176A	16				X		CP		X		(10)
	QT16	1666-03	I	Onan BF/MS 2938D&E	16				X		CP		X		
	HT20	2087-02	J	Ko. K532-53138A	19.5				X		CP		X		

Footnotes: Page 39

TRACTOR MODELS AND SPECIFICATIONS (CONT'D)

Sales Descript.	Model	See Pages 28, 29, 30	Engine Model & Type	H.P.	Transmission							Ign.			Remarks
					Speeds	Eaton Hyd.*	Sund. 15 Hyd.	Bolens	Peerless	Iseki	Lube/Capacity (See Page 39)	Solid State	Battery	Flywheel Mag.	
1977															
G8	813-06	A	B & S 191707-065301	8	3				X						X
G9	855-02	C	B & S 190417-090201	8	3						BS				X
G10	1055-04	C	B & S 251417-015901	10	6						BS				X
G12	1255-02	C	Tec. HH120-120199F	12	6						BS	X			
G14	1453-04	C	Tec. HH140-160016	14	6						BS	X			
H14XL	1458-01	F	Tec. OH140-160027A	14		11					CN	X			
H16	1656-04	C	Tec. OH160-170056A	16		10					DP	X			
QS16	1660-02	I	Ko. K341 AQS-71176A	16			X				CP		X		
QT16	1666-03-04	I	Onan BF/MS 3283F	16			X				CP		X		
HT20	2087-03	J	Ko. K532S-53138A	19.5			X				CP		X		
1978															
G8	813-08	A	B & S 191707-112501	8	3				X		BG				X
H11XL	1058-01	F	B & S 253417-013101	11		11		X			CN				X
G11XL	1060-01	F	B & S 253417-013101	11	4				X		BMU				X
G14	1453-05	C	Tec. OH140-160016JB	14	6			X			BS	X			
H16XL	1658-01	F	Tec. OH160-170089A	16		11		X			CN	X			
QT16	1666-05	I	Onan BF/MS 3283F	16		11		X			CP		X		
HT20	2087-04	J	Ko. K532S-53138A	19.5			X	X			CP		X		
G152	TX1300	K	Mitsubishi KE70-11GF	15	6					X	EQX				Diesel-2 Cyl.
G154	TX1300F	K	Mitsubishi KE70-11GF	15	6					X	EQX				Diesel-2 Cyl.
G172	TX1500	K	Mitsubishi KE75-11GF	17	6					X	EQX				Diesel-2 Cyl.
G174	TX1500F	K	Mitsubishi KE75-11GF	17	6					X	EQX				Diesel-2 Cyl.
1979															
LT8	812-02	A	B & S 191702-565001	8	3				X		BG				X
LT8E	814-01	A	B & S 191707-565101	8	3				X		BG				X
H11XL	1058-02	F	B & S 253417-013101	11		11		X			CN				X
G11XL	1060-02	F	B & S 253417-013101	11	4				X		BMU				X
LT11	1113-01	A	B & S 252707-018901	11	3				X		BG				X
H14XL	1458-01	F	Tec. OH140-160027A	14		11		X			CN	X			
G14XL	1461-01	F	Tec. OH140-160027B	14					X		BMU	X			
H16XL	1658-02	F	Tec. OH160-170089A	16		11		X			CN	X			
G16XL	1661-01	F	Tec. OH160-170089A	16					X		BMU	X			
QT17	1666-06-07	I	Ko. KT17QS-24106A	17		11		X			CP		X		
HT23	2389-01	J	Ko. K582S-36272	23		11		X			EP		X		
G152	TX1300	K	Mitsubishi KE70-11GF	15	6					X	EQX				Diesel-2 Cyl.
G154	TX1300F	K	Mitsubishi KE70-11GF	15	6					X	EQX				Diesel-2 Cyl.
G172	TX1500	K	Mitsubishi KE75-11GF	17	6					X	EQX				Diesel-2 Cyl.
G174	TX1500F	K	Mitsubishi KE75-11GF	17	6					X	EQX				Diesel-2Cyl.
G192	TS1910	O	Isuzu 2AA1	19	9					X	EQX				Diesel
G194	TS1910F	O	Isuzu 2AA1	19	9					X	EQX				Diesel
G242	TS2420	O	Isuzu 2AB1	24	18					X	EQX				Diesel
G244	TS2420F	O	Isuzu 2AB1	24	18					X	EQX				Diesel
1980															
LT8	812-02	A	B & S 191702-565001	8	3				X		BG				X
LT8E	814-02	A	B & S 191707-565101	8	3				X		BG				X
LT11	1113-02	A	B & S 152707-018901	11	3				X		BG				X
G11XL	1160-01	F	B & S 153417-013101	11	4				X		BMU				X
H12XL	1258-01	F	Tec. OH120-175007	12		11		X			CN				
G12XL	1261-01	F	Tec. OH120-175007	12	4				X		BMU		X		
H14XL	1458-03	F	Tec. OH140-160027A	14		11		X			CN				
G14XL	1461-02	F	Tec. OH140-160027A	14	4				X		BMU				X
G16XL	1661-02	F	Tec. OH160-170089A	16	4				X		BMU				X
QT17	1666-07-08	I	Kohler KT17QS-24106A	17		11		X			CP	X			
H18XL	1858-01	F	Tec. OH180-180002	18		11		X			CN				

Footnotes: Page 39

TRACTOR MODELS AND SPECIFICATIONS (CONT'D)

Sales Descript.	Model	See Pages 28, 29, 30	Engine Model & Type	H.P.	Transmission						Ign.			Remarks
					Speeds	Eaton Hyd.*	Bolens	Peerless	Iseki	Lube/Capacity (See Page 39)	Solid State	Battery	Flywheel Mag.	
1980 (Cont'd)														
HT22	2288-01	J	Wis. WD2-860-095364-411	20			X			EP				Diesel (EX)
HT20D	2289-01	J	Wis. WD2-860-095364-411	20		11	X			EP				Diesel-2 Cyl.
HT23	2389-01	J	Kohler K582S-36272	23		11	X			EP		X		
G152	TX1300	K	Mitsubishi KE70-11GF	15	6				X	EQ				Diesel-2 Cyl.
G154	TX1300F	K	Mitsubishi KE70-11GF	15	6				X	EQX				Diesel-2 Cyl.
G172	TX1500	K	Mitsubishi KE75-11GF	17	6				X	EQ				Diesel-2 Cyl.
G174	TX1500F	K	Mitsubishi KE75-11GF	17	6				X	EQX				Diesel-2 Cyl.
G192	TS1910	O	Isuzu 2AA1	19	9				X	EQ				Diesel
G194	TS1910F	O	Isuzu 2AA1	19	9				X	EQX				Diesel
G242	TS2420	O	Isuzu 2AB1	24	18				X	EQ				Diesel
G244	TS2420F	O	Isuzu 2AB1	24	18				X	EQX				Diesel
1981														
LT8E	814-02	A	B & S 191707-565101	8	3					BG			X	
LT11	1113-02	A	B & S 252707-018901	11	3					BG			X	
G11XL	1160-01-02	F	B & S 253417-013101	11	4					BMU			X	
H12XL	1258-01	F	Tec. OH120-175007	12		11	X			CN	X			
H12XL	1258-02	F	Tec. OH120-175007A	12		11	X			CN	X			
G12XL	1261-01	F	Tec. OH120-175007	12	4					BMU	X			
G12XL	1261-02	F	Tec. OH120-175007A	12	4					BMU	X			
H16XT	1659-01	F	B & S 402437-013901	16		11	X			CN	X			
G16XL	1661-02-03	F	Tec. OH160-170089B	16	4					BMU	X			
G16XT	1662-01	F	B & S 402437-013901	16	4					BMU	X			
QT17	1666-09-10	I	Kohler KT17QS-24152	17		11	X			CP		X		
H18XL	1858-02	F	Tec. OH180-180002A	18		11	X			CN	X			
HT20D	2289-01	J	Wis. WD2-860-095364-411	20		11	X			EP				Diesel-2 Cyl.
HT23	2389-02	J	Kohler K582S-36272	23		11	X			EP		X		
G152/154	TX1300/F	K	Mitsubishi KE70-11GF	15	6				X	EQX				Diesel-2 Cyl.
G152/154	TX1502/1504	K	Mitsubishi K3A-11A	15	6				X	EQX				Diesel-3 Cyl.
G172/174	TX1500/F	K	Mitsubishi KE75-11GF	17	6				X	EQX				Diesel-2 Cyl.
G174	TX1704	L	Mitsubishi K3B-11B	17	6				X	EQX				Diesel-3 Cyl.
G192/194	TS1910/F	O	Isuzu 2AA1	19	9				X	EQX				Diesel
G242/244	TS2420/F	O	Isuzu 2AB1	24	18				X	EQX				Diesel
G292/294	TS2902/2904	O	Isuzu 3AA1	29	8				X	ERX				Diesel
1982														
LT8E	814-02	A	B & S 191707-565101	8	3					BG			X	
LT11	1113-02	A	B & S 252707-018901	11	3					BG			X	
G11LT	1011G-01	F	B & S 252707-022401	11	5					AJ			X	
H11LT	1011H-01	F	B & S 252707-022401	11		7				BKC			X	
H16XT	1659-01	F	B & S 402437-013901	16		11	X			CN			X	
G16XT	1662-01	F	B & S 402437-013901	16	4					BMU			X	
QT17	1666-10	I	Kohler KT17QS-24197	17		11	X			CP		X		
G16X1	1663-01	F	Tec. OH160-170089B	16	4					BMU	X			
H16X1	1664-01	F	Tec. OH160-170089B	16		11	X			CN	X			
G16YT	2016G-01	F	B & S 402707-013801	16	5					AJ	X			
HT23	2389-02	J	Kohler K582S-36272	23		11	X			EP		X		
G152/154	TX1502/1504	L	Mitsubishi K3A-11A	15	6				X	EQX				Diesel
G174	TX1704	L	Mitsubishi K3B-11B	17	6				X	EQX				Diesel
G192/194	TS1910/F	O	Isuzu 2AA1	19	9				X	EQX				Diesel
G242/244	TS2420/F	O	Isuzu 2AB1	24	18				X	EQX				Diesel
G292/294	TS2902/2904	O	Isuzu 3AA1	29	8				X	ERX				Diesel
1983														
G11LT	1011G-02	F	B & S 252707-064001	11	5					AJ			X	
H11LT	1011H-02	F	B & S 252707-064001	11		7				BKC			X	
1400G	1463-01	F	Tec. OH140-160027C	14	4					BMU	X			
QT17	1666-10	I	Kohler KT17QS-24197	17		11	X			CP		X		

Footnotes: Page 39

TRACTOR MODELS AND SPECIFICATIONS (CONT'D)

Sales Descript.	Model	See Pages 28, 29, 30	Engine Model & Type	H.P.	Transmission						Ign.		Remarks
					Speeds	Eaton Hyd.*	Bolens	Peerless	Iseki	Lube/Capacity (See Page 39)	Solid State	Battery	
1983 (Cont'd)													
G16X1	1663-01	F	Tec. OH160-170089B	16	4			X		BMU	X		
H16X1	1664-01	F	Tec. OH160-170089B	16		11	X			CN	X		
1600G	1667-01	F	B & S 402437-066601	16	4			X		BMU	X		
1600H	1668-01	F	B & S 402437-066601	16		11	X			YN	X		
G16YT	2016G-02	D	B & S 402707-013801	16	5			X		AJ	X		
1700G	5017G-01	G	Kohler KT17QS-24218	17	4			X		BMU		X	
1700H	5017H-01	G	Kohler KT17QS-24218	17		11	X			CN	X	X	
1900	1966-02	I	Kohler KT19QS-49139	19		11	X			CP	X	X	
HT23	2389-02	J	Kohler K582S-36272	23		11	X			EP	X	X	
G152/154	TX1502/1504	L	Mitsubishi K3A-11A	15	6			X		EQX			
G174	TX1704	L	Mitsubishi K3B-11B	17	6			X		EQX		Diesel	
G192/194	TS1902/1904	O	Isuzu 2AA1	19	9			X		EQX		Diesel	
G242/244	TS2420/F	O	Isuzu 2AB1	24	18			X		EQX		Diesel	
G272/274	2701/2704	N	Isuzu 3AE1	27	8			X		EQX		Diesel	
G292/294	TS2902/2904	O	Isuzu 3AA1	29	8			X		ERX		Diesel	
1984													
ST110	3011G-01	E	B & S 253707-0144-01	11	5			X		AJ	X		
1400G	1463-02	F	Tec. OH140-160027C	14	4			X		BMU	X		
1600G	1667-02	F	B & S 402437-0666-01	16	4			X		BMU	X		
1600H	1668-02	F	B & S 402437-0666-01	16		11	X			YN	X		
G16YT	2016-02	D	B & S 402707-0138-01	16	5			X		AJ	X		
ST160	3016H-01	E	B & S 402707-0144-01	16		7		X		BKY	X		
ST160	3016G-01	E	B & S 402707-0144-01	16	5			X		AJ	X		
1700G	5017G-02	G	Kohler KT17QS-24314	17	4			X		BMU		X	
1700H	5017H-02	G	Kohler KT17QS-24314	17		11	X			CN	X	X	
1900	1966-03	I	Kohler KT19QS-49139	19		11	X			CP	X	X	
			Kohler KT19QS-49206	19		11	X			CP	X	X	
G174	TX1704	L	Mitsubishi K3B-11B	17	6			X		EQX		Diesel	
G212/214	2102/2104	M	Iseki E3AF1	21	8			X		EQX		Diesel	
G272/274	2701/2704	N	Isuzu 3AE1	27	8			X		EQX		Diesel	
G292/294	TS2902/2904	O	Isuzu 3AA1	29	8			X		ERX		Diesel	
1985													
ST110	3011H-01	E	B & S 253707-0144-01	11		7		X		BKY	X		
ST110	3011G-02	E	B & S 253707-0144-01	11	5			X		AJ	X		
1400G	1463-03	F	Tec. OH140-160027C	14	4			X		BMU	X		
1600G	1667-03	F	B & S 402437-0700-01	16	4			X		BMU	X		
1600H	1668-03	F	B & S 402437-0700-01	16		11	X			CN	X		
ST160	3016H-02	E	B & S 402707-0160-01	16		7		X		BKY	X		
ST160	3016G-02	E	B & S 402707-0160-01	16	5			X		AJ	X		
1700G	5017G-03	G	Kohler KT17QS-24314	17	4			X		BMU		X	
1700H	5017H-03	G	Kohler KT17QS-24314	17		11	X			YN	X	X	
1900	1966-03	I	Kohler KT19QS-49206	19		11	X			CP	X	X	
1900H	5019H-01	G	Kohler KT19QS-49226	19		11	X			CN	X	X	
HT23	2389S-02	J	Kohler K582S-36328	23		11	X			EP	X	X	
G152/154	TX1502/1504	L	Mitsubishi K3A-11A	15	6			(6)		EQX		Diesel	
G174	TX1704	L	Mitsubishi K3B-11B	17	6			(6)		EQX		Diesel	
H174	TX1704H	L	Mitsubishi K3B-11B	17				(7)		EQX		Diesel	
G212/214	2102/2104	M	Iseki E3AF1	21	8			X		EQX		Diesel	
G272/274	2702/2704	N	Iseki E3AE1	27	8			X		EQX		Diesel	
G292/294	TS2902/2904	O	Iseki E3AF1	29	8			X		ERX		Diesel	
1986													
ST110	3011G-03	E	B & S 253707-0144-01	11	5			X		AJ	X		
ST110	3211G-01	E	B & S 253707-0144-01	11	5			X		AH	X		
ST125	3012G-01	E	B & S 404707-0117-01	12	5			X		AJ	X	(1)	
ST125	3012H-01	E	B & S 404707-0117-01	12		7		X		BKY	X		

Footnotes: Page 39

TRACTOR MODELS AND SPECIFICATIONS (CONT'D)

Sales Descript.	Model	See Pages 28, 29, 30	Engine Model & Type	H.P.	Transmission						Ign.		Remarks
					Speeds	Eaton Hyd.*	Bolens	Peerless	Iseki	Lube/Capacity (See Page 39)	Solid State	Battery	
1986 (Cont'd)													
1402G	1467-01	F	B & S 400437-0122-01	14	4			X		BMU	X		
1600H	1668-04	F	B & S 402437-0700-01	16		11	X			YN	X		
ST160	3016H-03	F	B & S 402707-0160-01	16		7		X		BKY	X		
ST160	3016G-03	F	B & S 402707-0160-01	16	5					BK	X		
GT180	3118G-01	F	B & S 422707-0150-01	18	4			X		BM	X		
1800H	5018H-01	G	Kohler M18QS-24512	18		11	X			YN	X		
2000H	5020H-01	G	Kohler M20QS-49508	20		11	X			EN	X		
HT23	2389S-03	J	Kohler K582S-36328	23		11	X			EP		X	
G152	TX1502	L	Mitsubishi K3A-11A	15	6				(6)	EQ		Diesel	
H152	TX1502H	L	Mitsubishi K3A-11A	15					(7)	EQ		Diesel	
G174	TX1704	L	Mitsubishi K3B-11B	17	6				(6)	EQX		Diesel	
H174	TX1704H	L	Mitsubishi K3B-11B	17					(4)	EQX		Diesel	
G212/214	2102/2104	M	Iseki E3AF1	21	12			X		EQX		Diesel	
G272/274	2702/2704	N	Isuzu 3AE1	27	18			X		EQX		Diesel	
1987													
ST120	3112G-01	E	B & S 281707-0127-01	12	5			X		AJ	X	(3)	
ST120	3212G-01	E	B & S 281707-0127-01	12	5			X		AG	X	(1)(3)	
ST125	3012G-02	E	B & S 404707-0117-01	12.5	5			X		AJ	X		
ST125	3012H-02	E	B & S 404707-0117-01	12.5		7		X		BKY	X		
HP14	3014H-01	E	B & S 400707-0130-01	14		7		X		BKY	X	A.J. Foyt	
1402G	1467-01	F	B & S 400437-0122-01	14	4			X		BMU	X		
1600H	1668-04	F	B & S 402437-0700-01	16		11	X			YN	X		
1600G	1667-03	F	B & S 402437-0700-01	16	4			X		BMU	X		
ST160	3016H-04	F	B & S 402707-0160-01	16		7		X		BKO	X		
ST160	3016G-04	F	B & S 402707-0160-01	16	5			X		AJ	X		
GT180	3118G-02	F	B & S 422707-0150-01	18	4			X		BM	X		
1800H	5018H-01	G	Kohler M18QS-24512	18		11	X			YN	X		
2000H	5020H-01	G	Kohler M20QS-49508	20		11	X			EN	X		
HT23	2389S-04	J	Kohler K582S-36328	23		11	X			EP		X	
G152	TX1502	L	Mitsubishi K3A-11A	15	6				(1)	EQ		Diesel	
H152	TX1502H	L	Mitsubishi K3A-11A	15					(2)	EQ		Diesel	
G174	TX1704	L	Mitsubishi K3B-11B	17	6				(1)	EQX		Diesel	
H174	TX1704H	L	Mitsubishi K3B-11B	17					(2)	EQX		Diesel	
G212/214	2102/2104	M	Iseki E3AF1	21	12			X		EQX		Diesel	
G272/274	2702/2704	N	Isuzu 3AE1	27	18			X		EQX		Diesel	
1988													
ST120	3212G-02	E	B & S 281707-0127-01	12	5			X		AG	X	(1)(3)	
ST120	3212H-01	E	B & S 281707-0127-01	12		7		X		BKY	X	(3)	
ST140	3114G-01	E	B & S 400707-1205-01	14	5			X		AJ	X		
ST140	3114H-01	E	B & S 400707-1205-01	14		7		X		BKY	X		
ST180	3018G-01	E	B & S 422707-1206-01	18	5			X		AJ	X		
ST180	3018H-01	E	B & S 422707-1207-01	18		7		X		BKY	X		
1402G	1467-02	F	B & S 400437-1275-01	14	4			X		BMU	X		
1600H	1668-05	F	B & S 402437-1205-01	16		11	X			YN	X		
1800H	5018H-01	F	Kohler M18QS-24512	18		11	X			YN	X		
2000H	5020H-01	G	Kohler M20QS-49508	20		11	X			EN	X		
DGT1700	5117H-01-02	H	Mitsubishi L3A-61BG	17		11	X			EN		Diesel	
GT1800	5118H-01-02	H	Kohler M18QS24599	18		11	X			YN	X		
GT2000	5120H-01-02	H	Kohler M20QS-49565	20		11	X			EN	X		
G152	TX1502	L	Mitsubishi K3A-11A	15	6				(6)	EQ		Diesel	
H152	TX1502H	L	Mitsubishi K3A-11A	15					(7)	EQX		Diesel	
G174	TX1704	L	Mitsubishi K3B-11B	17	6				(6)	EQX		Diesel	
H174	TX1704H	L	Mitsubishi K3B-11B	17					(7)	EQX		Diesel	
G212	2102/2104	M	Iseki E3AF1	21	12			X		EQX		Diesel	
G272	2702/2704	N	Isuzu 3AE1	27	18			X		EQX		Diesel	

Footnotes: Page 39

TRACTOR MODELS AND SPECIFICATIONS (CONT'D)

Sales Descript.	Model	See Pages 28, 29, 30	Engine Model & Type	H.P.	Transmission						Remarks
					Speeds	Eaton Hyd.*	Bolens	Peerless	Iseki	Lube/Capacity (Page 39)	
1989											
ST100	3010G-01	F	B & S 255707-0123-01	10	5			X		AG	(1)
ST120	3212G-03	F	B & S 281707-0127-01	12	5			X		AG	(1) (3)
ST120	3212H-02	F	B & S 281707-0127-01	12		750				MY	(3)
ST140	3114G-02	F	B & S 400707-1205-01	14	5			X		AJ	
ST140	3114H-02	F	B & S 400707-1205-01	14		750				MY	
ST180	3018G-02	F	B & S 422707-1207-01	18	5			X		AJ	
ST180	3018H-02	F	B & S 422707-1207-01	18		750				MY	
1402G	1467-03	F	B & S 400447-1206-01	14	4			X		BMU	(4) (5)
1600H	1668-06	F	B & S 402447-1220-01	16			11	X		YN	(4) (5)
DGT1700	5117H-02	H	Mitsubishi L3A-61BG	17			11	X		EN	Diesel
GT1800	5118H-02	H	Kohler M18QS-24599	18			11	X		YN	
GT1800	5118HS-01	H	Kohler M18QS-24599	18			11	X		YN	Power Steering
GT2000	5120H-02	H	Kohler M20QS-49565	20			11	X		EN	
G152	TX1502	L	Mitsubishi K3A-11A	15	6				(6)	EQ	Diesel (2)
H152	TX1502H	L	Mitsubishi K3A-11A	15					(7)	EQX	Diesel (2)
G174	TX1704	L	Mitsubishi K3B-11B	17	6				(6)	EQX	Diesel (2)
H174	TX1704H	L	Mitsubishi K3B-11B	17					(7)	EQX	Diesel (2)
G212	2102/2104	M	Iseki E3AF1	21	12				X	EQX	Diesel (2)
G272	2702/2704	N	Isuzu 3AE1	27	18				X	EQX	Diesel (2)
1990											
ST120	3212G-03	E	B & S 281707-0127-02	12	5			X		AG	(1)(3)
ST120	3212H-02	E	B & S 281707-0127-02	12		750				MY	(3)
ST140	3214G-01	E	B & S 294777-0015-02	14	5			X		AJ	(5)
ST140	3214H-01	E	B & S 294777-0015-02	14		750				MY	(5)
ST160	3216H-01	E	B & S 303777-0017-02	16		750				MY	(5)
ST180	3018H-02	E	B & S 422707-1207-02	18		750				MY	
1468	1468-01	F	B & S 290447-0108-01	14	4			X		BMU	(4)(5)
1669	1669-01	F	B & S 303447-0131-01	16			11	X		YN	(4)(5)
1669	1669L-01	F	B & S 303557-0131-01	16			11	X		YN	Hyd. Lift (6) (1) (5)
DGT1700	5117H-03	H	Mitsubishi L3A-61BG	17			11	X		EN	Diesel
GT1800	5118HS-02	H	Kohler M18QS-24599	18			11	X		YN	
GT2000	5120H-03	H	Kohler M20QS-49565	20			11	X		EN	
G152	TX1502	L	Mitsubishi K3A-11A	15	6				(6)	EQ	Diesel (2)
H152	TX1502H	L	Mitsubishi K3A-11A	15					(7)	EQX	Diesel (2)
G174	TX1704	L	Mitsubishi K3B-11B	17	6				(6)	EQX	Diesel (2)
H174	TX1704H	L	Mitsubishi K3B-11B	17					(7)	EQX	Diesel (2)
1991											
ST120	3212G-04	E	B & S 281707-0127-02	12	5			X		AG	(1) (3)
ST120	3212H-03	E	B & S 281707-0127-02	12		750				MY	(3)
ST140	3214H-02	E	B & S 294777-0015-02	14		750				MY	(5)
ST160	3216H-02	E	B & S 303777-0017-02	16		750				MY	(5)
1468	1468-01	F	B & S 290447-0108-01	14	4			X		BMU	(6)(5)
1669	1669L-01	F	B & S 303447-0131-01	16			11	X		YN	Hyd. Lift (4) (5)
DGT1700	5117H-03	H	Mitsubishi L3A-61BG	17			11	X		EN	Diesel
GT1800	5118HS-03	H	Kohler M18QS-24599	18			11	X		YN	
GT2000	5120H-04	H	Kohler M20QS-49565	20			11	X		EN	
G152	TX1502	L	Mitsubishi K3A-11A	15	6				(6)	EQ	Diesel (2)
H152	TX1502H	L	Mitsubishi K3A-11A	15					(7)	EQX	Diesel (2)
G174	TX1704	L	Mitsubishi K3B-11B	17	6				(6)	EQX	Diesel (2)
H174	TX1704H	L	Mitsubishi K3B-11B	17					(7)	EQX	Diesel (2)

Footnotes: Page 39

TRACTOR MODELS AND SPECIFICATIONS (CONT'D)

Sales Descript.	Model	See Pages 28, 29, 30	Engine Model & Type	H.P.	Transmission						Remarks
					Speeds	Eaton Hyd.**	Bolens	Peerless	Iseki	Lube/Capacity (See Below)	
1992											
ST120	3212G-04	E	B & S 281707-0127-02	12	5			X		AG	(1) (3)
ST120	3212H-03	E	B & S 281707-0127-02	12		750				MY	(3)
ST125	13023-01	E	Kohler CV12.5S/PS1259	12.5	5			X		AG	(1) (3)
ST125	13024-01	E	Kohler CV12.5S/PS1259	12.5		751				MY	(3)
ST140	13014-01	E	B & S 294777-0015-02	14		751				MY	(5)
ST160	13016-01	E	B & S 303777-0017-02	16		751				MY	(5)
1468	1468-01	F	B & S 290447-0108-01	14	4			X		BMU	(4) (5)
1669	1669L-01	F	B & S 303447-0131-01	16		11	X			YN	Hyd. Lift (4) (5)
GT1800	5118HS-03	H	Kohler M18QS-24599	18		11	X			YN	
GT2000	5120H-04	H	Kohler M20QS-49565	20		11	X			EN	
1993											
ST125	13023-01	E	Kohler CV12.5S/PS1259	12.5	5			X		AG	(1) (3)
ST125	13024-01	E	Kohler CV12.5S/PS1259	12.5		751				MY	(3)
ST140	13014-01	E	B & S 294777-0015-02	14		751				MY	(5)
ST160	13016-01	E	B & S 303777-0017-02	16		751				MY	(5)
1468	1468-01	F	B & S 290447-0108-01	14	4			X		BMU	(4) (5)
1669	1669L-01	F	B & S 303447-0131-01	16		11	X			YN	Hyd. Lift (4) (5)
GT1800	5118HS-03	H	Kohler M18QS-24599	18		11	X			YN	
GT2000	5120H-04	H	Kohler M20QS-49565	20		11	X			EN	
1994											
STG125	13058-01	P	B & S 286707-0140-01	12	5			X		AG	(3) (14)
STH125	13059-01	P	B & S 286707-0140-01	12				(12)		(13)	(3) (14)
1995											
STG125	13072-01	P	B & S 286707-0140-01	12.5	6			X		AG	(3) (15)
STH125	13073-01	P	B & S 286707-0140-01	12.5				(12)		(13)	(3) (15)

- 1 - This unit is equipped with a non-tilling transmission. - (Mower and snowthrower attachments only)
- 2 - ROPS Standard equipment
- 3 - I.C. Engine
- 4 - Engine Pressure Lube & Filter
- 5 - B & S Vanguard Engine
- 6 - Gear Models
- 7 - Hydro Models
- 8 - Bolens Design has belt changer for HI and Lo range.
- 9 - Two speed transmission with Hi and Lo range.
- 10 - 1456-02 & up, have Sump Type Hydro
- 11 - 1st Overhead Valve Engine
- 12 - Peerless 1800 Hydro
- 13 - See Peerless
- 14 - With 39" Mower
- 15 - With 40" Mower
- ** - Eaton Model Number
- A - Bentonite Grease (Tec. 788067)
- B - EP 90 Oil
- C - Type F (Hydro)
- D - Dextron (Hydro)
- E - Trans/Hydro Fluid
- F - 3 oz.
- G - 24oz.
- H - 30 oz.
- I - 32 oz.
- J - 36 oz.
- K - 44 oz.
- L - 48 oz.
- M - 64 oz.
- N - 8 qts.
- O - 9 qts.
- P - 10 qts.
- Q - 13 qts.
- R - 17 qts.
- S - Plug Level - 2-1/2 qts.
- T - A's Required
- U - R.H. Gearbox - 4 oz. (Tec. 788067)
- V - Differential
- W - Plug Level
- X - FWD EP 90 Oil (qts.)
15/17 HP - .73 Bevel Case
.26 Axle Cases
19/24 HP - 4.7
21 HP - 7.9
27 HP - 8.2
29 HP - 8.5
- Y - SAE20 Motor/Hydro Oil (1768598 - 1 gal. container)

6

DIESEL TRACTOR AND 2-SPEED GAS TRACTOR TRANSMISSION/HYDRAULIC OIL CROSS REFERENCE

The following is a list of transmission/hydraulic fluids which may be substituted for the original factory-supplied oil when you add or make routine transmission oil changes.

Allis ChalmersHPF821 Power Fluid	Mobil Mobilfluid 424
Amoco1000	Oliver..... Oliver 55 Fluid
Atlantic Richfield.....Arco Tractor Fluid	Pennzoil Hydra-Tranz & Wet Brake Fluid
J.I. CaseTFD Fluid	Phillips..... HG Fluid
Chevron.....Tractor Hydraulic Fluid	Quaker Tractor Hydraulic/Trans. Fluid
ConocoPower-Tran II Fluid	Shell Donax T-4
John Deere.....Type 303 Special Purpose Oil	Texaco TDH Oil
ExxonTorque Fluid 56	Union..... Hydraulic/Trans. Fluid
Ford134 Tractor Hydraulic Fluid	Valvoline Unitrac
Garden Way1738157 (gal)	White..... Q-1722
International.....Hy-Trans Fluid	
KendallHyken 052	
Lion.....HT Fluid	
Massey-Ferguson.....M-1127 Perma-Tran Fluid	

MISCELLANEOUS DIESEL SPECS

	TX1300	TX1500	1502 1504	1704	2102 2104	2702 2704	TS1910 TS1910F TS2420 TS2420F TS2902* TS2904*	5117H
Compression								
New	455 PSI	445 PSI	455 PSI	445 PSI	----	----	----	412-455 PSI
Repair Limit	313 PSI	313 PSI	370 PSI	370 PSI	284 PSI	284 PSI	284 PSI	355 PSI
Valve Clearance								
Intake (Cold)	.014	.014	.010	.010	.017	.017	.017	.010
Exhaust (Cold)	.014	.014	.010	.010	.017	.017	.017	.010
Ring End Gap								
Compression Ring								
New	.008-.015	.008-.015	.006-.016	.007-.016	.007-.016	.007-.016	.007-.021	.006-.015
Repair Limit	.059	.059	.059	.059	.078	.078	.072	.059
Oil Ring								
New	.008-.015	.008-.015	.006-.016	.0039-.0117	.0039-.0117	.003-.017	.006-.015	
Repair Limit	.059	.059	.059	.059	.039	.039	.039	.059
Torque Specs (ft. lbs)								
Head Bolts	94-101	94-101	(M10)51-58 (M12)80-87	(M10)51-58 (M12)80-87	58	58	58	(M8) 14-22 (M10)54-62 11-14
Glow Plugs	11-15	11-15	11-14	11-14	----	----	----	
Connecting Rod Cap								
Nuts	23-25	----	23-25	23-25	----	----	----	23-25
Bolts	----	40-43	----	----	43	43	58	----
Main Bearing Cap								
Bolts	----	----	36-40	36-40	68	68	116-130	36-40
Flywheel Bolts	83-90	83-90	83-90	83-90	65-72	65-72	65-72	61-69
Injection Timing								
BTDC	25°	25°	19°	19°	18°	20°	18° 22°*	19°

ELECTRIC CLUTCH TROUBLESHOOTING BOLENS & TROY-BILT

1. ELECTRIC PTO CLUTCH SPECIFICATIONS:

Voltage.....12VDC
Resistance3.2 Ohms
Current Draw3.8 Amps

2. CLUTCH DOES NOT ENGAGE -

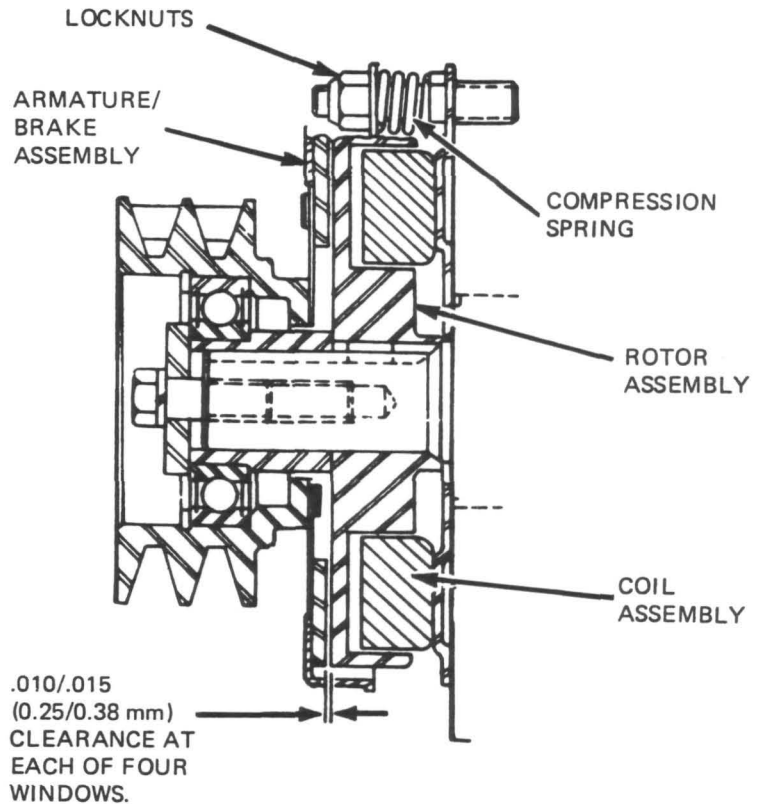
- a. Check electrical system for broken wires or bad connections.
- b. Check voltage at clutch lead. Voltmeter should read more than 10 volts. If voltmeter does not register a reading, look for broken wires or connect clutch lead and check resistance reading of clutch coil. A normal resistance reading should be between 3.0 and 2.3 ohms. A reading outside these values indicates a faulty coil. The field assembly should then be replaced. Check armature/rotor gap. This is done by inserting a feeler gauge in the four (4) slots provided in the brake flange. The gap should be between .010" - .020" (0.25mm-0.51mm) with the clutch/brake switch in the "off" position. If the gap is greater, tighten the (4) locknuts until they just contact brake flange. (**CAUTION:** Do not over torque locknuts as damage to brake flange may result.)

3. ENGINE DRIVEN ATTACHMENT ROTATES SLOWER THAN NORMAL -

- a. Check for loose belts.

- b. Inspect engine driven attachment with clutch belt removed. Attachment should turn freely.
- c. Check clutch/brake pulley grooves for grease or oil.
- d. Check clutch/brake working surfaces for grease or oil.

NOTE: REMOVE GREASE OR OIL FROM CLUTCH/BRAKE WORKING SURFACES

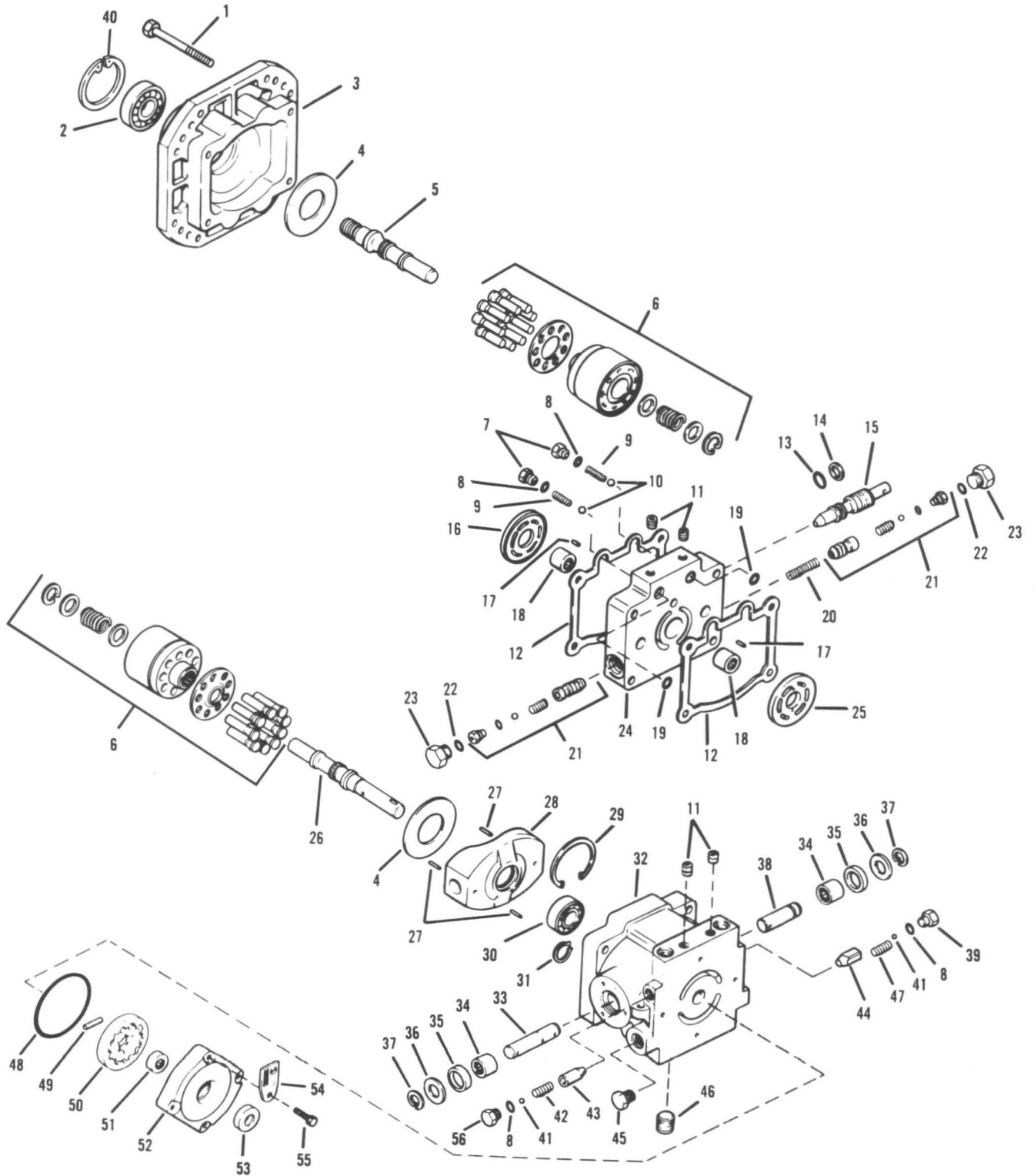


ELECTRIC CLUTCH REPLACEMENT PARTS (Manufactured by Ogura)

CLUTCH ASS'Y PART NO.	FIELD COIL ASS'Y	BALL BEARING
1734788 (1")	1754155	1754156
1737217 (1-1/8")	1754153	1754152
1741572 (1")	1754154	1754156
1744401 (1-1/8")	1754151	1754152
1745480 (1-1/4")	1754153	1754152
1747059 (1-1/4")	1754151	1754152
1755341	Not Available	1724194 (upper) 1754156 (lower)

The Ogura clutch is normally identified by the pulley, which is machined versus stamped. The clutch also has the name stamped on the back of the coil assembly.

SUNDSTRAND BREAKDOWN



6

SUNDSTRAND PARTS LIST

Ref. Part No. No.	Description	No. Req'd	QS HTQT	Ref. Part No. No.	Description	No. Req'd	QS HTQT
1	1110644	Cap Screw	4 X X	30	1728255	Bearing	1 X X
2	1728251	Bearing	1 X X	31	1728226	Snap Ring	1 X X
3	1728201	Motor Housing (1)(2)(3)(4)(5)	1 X X	32	1728227	Pump Housing	1 X X
	1728887	Motor Housing (6)	1 X X	33	1728228	Control Shaft	1 X X
4	1728202	Thrust Plate	2 X X	34	1728229	Bearing	2 X X
5	1728203	Motor Shaft (1)(2)(3)(4).....	1 X X	35	1728230	Seal.....	2 X X
	1728885	Motor Shaft (5)(6)	1 X X	36	1728231	Washer	2 X X
6	1728204	Cylinder Block Assy.	2 X X	37	1728225	Retaining Ring	2 X X
7	1728205	Check Valve Cap	2 X X	38	1728232	Trunnion Shaft	1 X X
8	1728252	"O" Ring	4 X X	39	1728233	Hex Plug (Implement)	1 X X
9	1728206	Spring	2 X X	40	1728886	Snap Ring (6).....	1 X X
10	1728207	Ball.....	2 X X	41	1728234	Shim Pack.....	AR X X
11	1728208	Pipe Plugs.....	4 X X	42	1728235	Charge Relief Valve Spring .	1 X X
12	1728209	Gaskets.....	2 X X	43	1728236	Poppet Valve (Charge)	1 X X
13	1177388	"O" Ring	1 X X	44	1728237	Poppet Valve (Implement) ...	1 X X
14	1728210	Back Up Ring.....	1 X X	45	1728238	Hex Plug	1 X X
15	1728211	Free Wheeling Valve	1 X X	46	1728239	Filter Union	1 X X
16	1728212	Motor Valve Plate	1 X X	47	1728240	Implement Relief Valve Spring	1 X X
17	1728213	Pin.....	2 X X	48	1728241	"O" Ring	1 X X
18	1728253	Bearing	2 X X	49	1728242	Drive Pin	1 X X
19	1728214	"O" Ring	2 X X	50	1728243	Charge Pump (Geroter)	1 X X
20	1728215	Acceleration Valve Spring....	2 X X	51*	1728244	Ball Bearing, (1)(2)(3)	1 X X
21	1728216	Acceleration Valve Assy.	2 X X		1728250	Needle Bearing (4)(5)(6).....	1 X X
22	1185773	"O" Ring	2 X X	52*	1728245	Charge Pump Housing (1)(2)(3)1	X X
23	1728217	Hex Plug	2 X X		1728246	Charge Pump Housing (4)(5)(6)1	X X
24	1728218	Center Section	1 X X	53	1728247	Seal (1)(2)(3)	1 X X
25	1728219	Pump Valve Plate R.H.	1 X		1728248	Seal (4)(5)(6)	1 X X
	1728220	Pump Valve Plate L.H.....	1 X	54	1728249	Identification Tag	1 (A) (B)
26*	1728221	Pump Shaft, (1)(2)(3).....	1 X	55	1100808	Cap Screw	4 X X
		Pump Shaft, (1)(2)	1 X	56	1728888	Hex Plug (Charge)	1 X X
	1728222	Pump Shaft, (4)(5)(6).....	1 X				
		Pump Shaft (3)(4)(5)(6)	1 X				
27	1728223	Roll Pins.....	3 X X				
28	1728224	Pump Swash Plate	1 X X				
29	1728254	Snap Ring	1 X X				

A - "HT" Series

- 1 - Sundstrand Type 90-1118-01 (Bolens No. 1724349)
- 2 - Sundstrand Type 90-1118-02 (Bolens Nol 1724249)
- 3 - Sundstrand Type 90-1118-03 (Bolens No. 1724349)
- 4 - Sundstrand Type 90-1118-04 (Bolens No. 1724349)
- 5 - Sundstrand Type 90-1148 (Bolens No. 1727789)
- 6 - Sundstrand Type 90-1153 (Bolens No. 1727789)

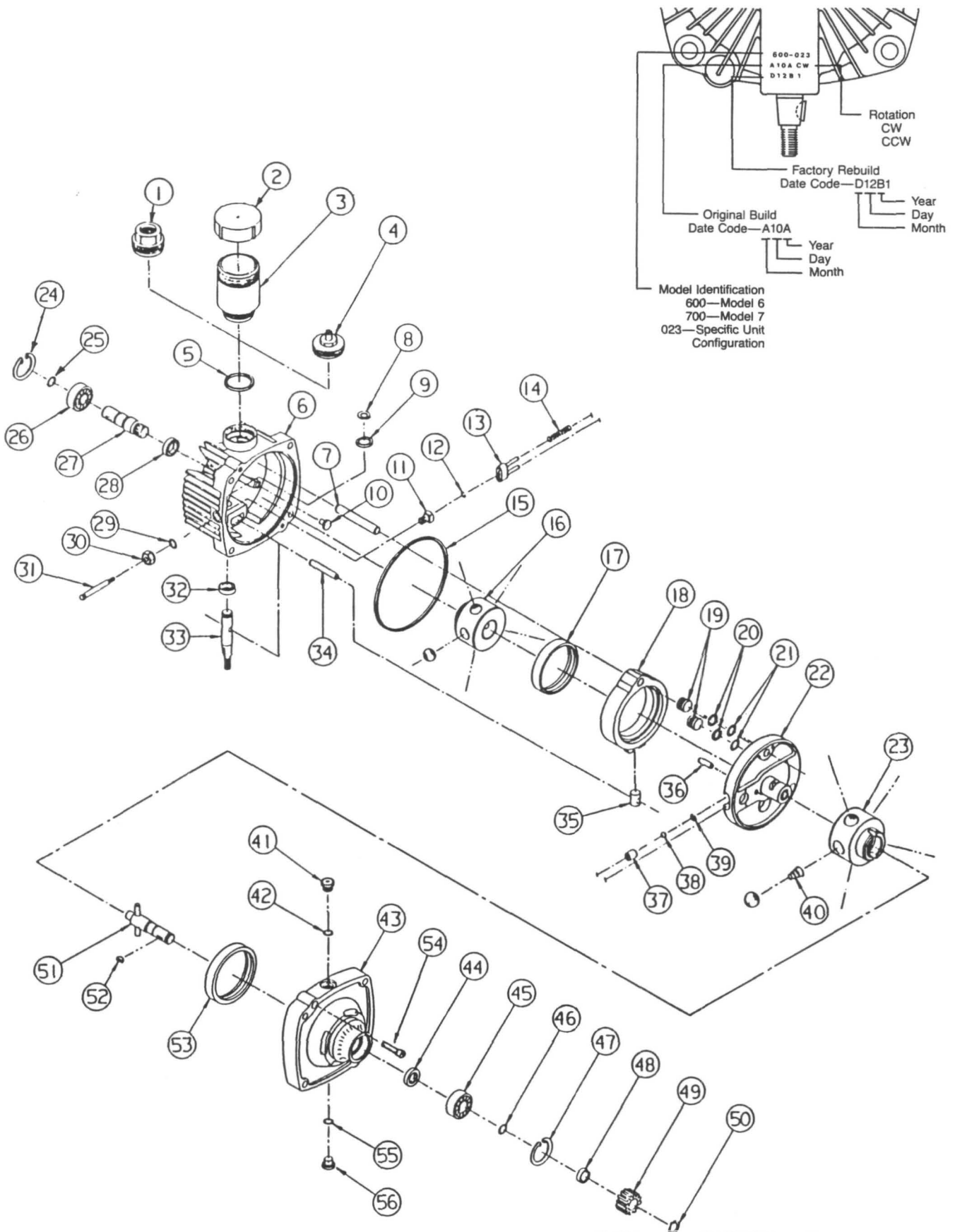
B - "Q" Series

- 1 - Sundstrand Type 90-1121-01 (Bolens No. 1724348)
- 2 - Sundstrand Type 90-1121-02 (Bolens No. 1724248)
- 3 - Sundstrand Type 90-1121-03 (Bolens No. 1724348)
- 4 - Sundstrand Type 90-1121-04 (Bolens No. 1724348)
- 5 - Sundstrand Type 90-1149 (Bolens No. 1727788)
- 6 - Sundstrand Type 90-1154 (Bolens No. 1729134)

**NOTE: ALWAYS REFER TO IDENTIFICATION TAG (REF. NO 54)
TO OBTAIN SUNDSTRAND MODEL AND TYPE NUMBER.
TYPE NUMBER PRECEDES SERIAL NUMBER**

*No longer available - must be replaced by one or each of the following parts: 1728222, Pump Shaft; 1728250, Needle Bearing; 1728246, Charge Pump Housing; & 1728248, Seal.

EATON MODEL 7 BREAKDOWN



6

EATON MODEL 7 PARTS LIST
SUBURBAN TRACTOR

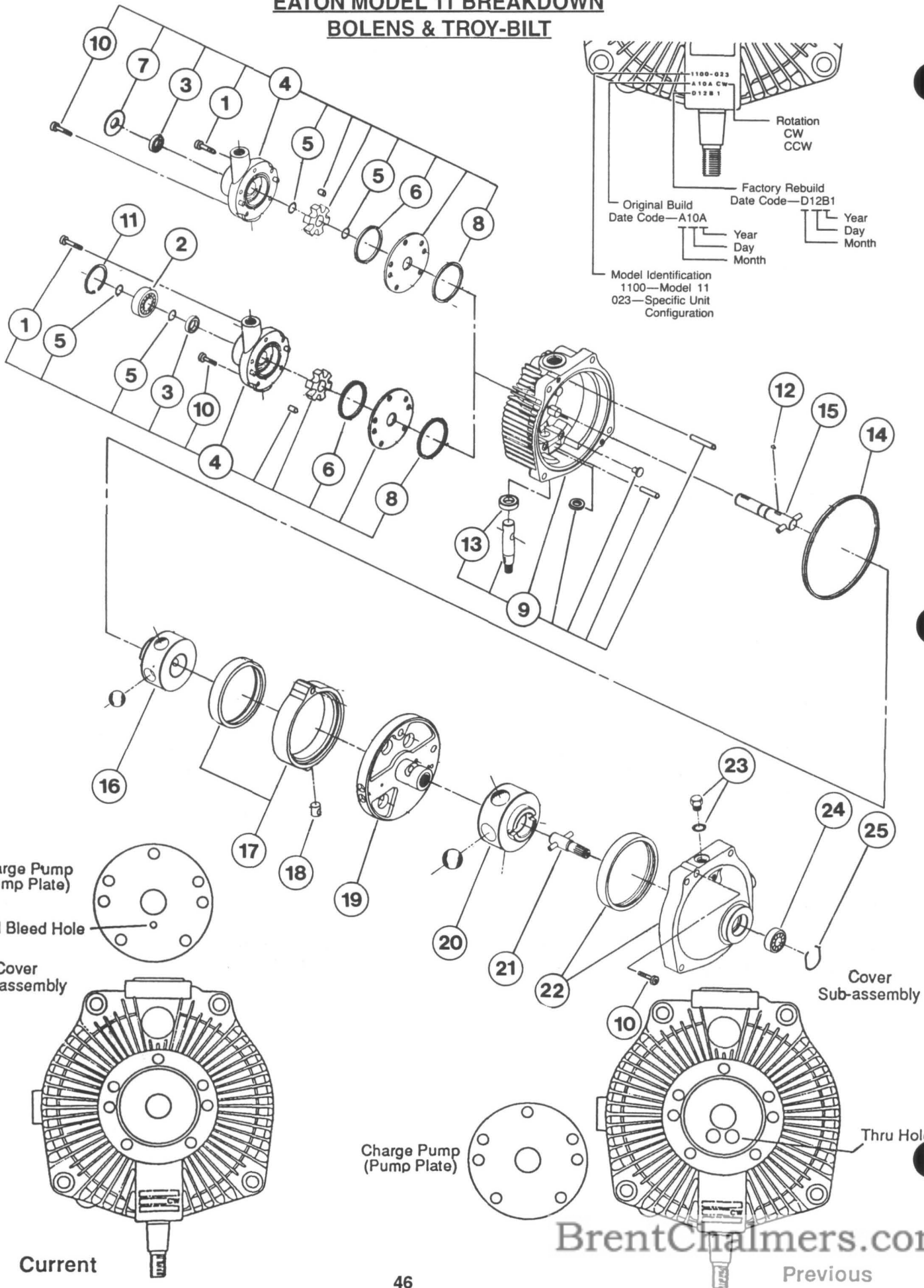
Ref. No.	Part No.	Description	No. Req'd
	1741994	Hydro Assy	1
1	N/A	Reservoir Adapter	1
2	1756280	Reservoir Cover Subassy	1
3	1756281	Reservoir Body	1
4	N/A	Reservoir Adapter	1
*5	1756282	Square Cut Seal Ring....	1
6	1756294	Cover Service Kit (Incl. Ref. 7, 8, 9, 28, 32, 33 & 34)	1
7	1756295	Pivot Pin Dowel	1
8	1756396	External Retaining Ring.	1
9	1756297	Control Shaft Washer	1
10	1756298	Button	1
*11	1756299	O-Ring Fitting Guide Sub-assembly	1
*12	1760850	O-Ring	1
13	1760851	Bracket Pins Subassy. ..	1
14	1760852	Valve Spring	2
*15	1756283	Square Cut Seal Ring....	1
16	1760853	Pump Rotor-Ball Subassy.	1
17	1760854	Pump Race	1
18	1760855	Cam Ring	1
19	1760856	Piston	2
*20	1760857	Back-Up Ring	2
*21	1760858	O-Ring	2
22	1760859	Pintle Subassy. (Incl. Ref. 19, 20, 21, 36, 37, 38, & 39)	1
23	1760860	Motor Rotor-Ball Subassy.	1
24	1756284	Retaining Ring	1
25	1756285	Snap Ring	1
26	1756286	Ball Bearing (Input)	1
27	1756287	Input Shaft	1
*28	1724381	Oil Seal	1

Ref. No.	Part No.	Description	No. Req'd
*29	1756288	O-Ring	1
*30	1760861	Nut-Gasket Subassembly	1
31	1760862	Dump Valve Shaft	1
*32	1724382	Oil Seal	1
33	1760863	Control Shaft Kit	1
34	1760864	Dowel	1
35	1760865	Cam Ring Insert	1
36	1760866	Coil Pin	1
37	1760867	Check Valve Body	2
38	1760868	Grade 200 Ball (5/16 Dia.)	2
39	1760869	Retaining Ring	2
40	1760870	Piston Spring	5
41	1760871	O-Ring Plug Subassy. (Incl. Ref. 42)	1
*42	1760872	Tube Fitting O-Ring	1
43	1760873	Body	1
*44	1724381	Oil Seal	1
45	1756286	Ball Bearing (Output)	1
46	1760874	Snap Ring	1
47	1756284	Retaining Ring	1
48	1756291	Spacer	1
49	1756292	Drive Gear	1
50	1756293	External Retaining Ring.	1
51	1756290	Output Shaft Subassy. ..	1
52	1756289	Woodruff Key #3	1
53	1760875	Motor Race	1
54	1760876	Socket Head Capscrew.	1
*55	1760872	Tube Fitting O-Ring	1
56	1760871	O-Ring Plug Subassy. ...	1
N/I	1760877	Overhaul Sealing Kit	1
		(Contains parts indicated by *)	

NOTE: Please check availability before ordering parts.
Only certain parts are carried at this time.

N/I - Not Illustrated
N/A - Not Available

EATON MODEL 11 BREAKDOWN BOLENS & TROY-BILT



6

EATON MODEL 11 PARTS LIST
BOLENS & TROY-BILT

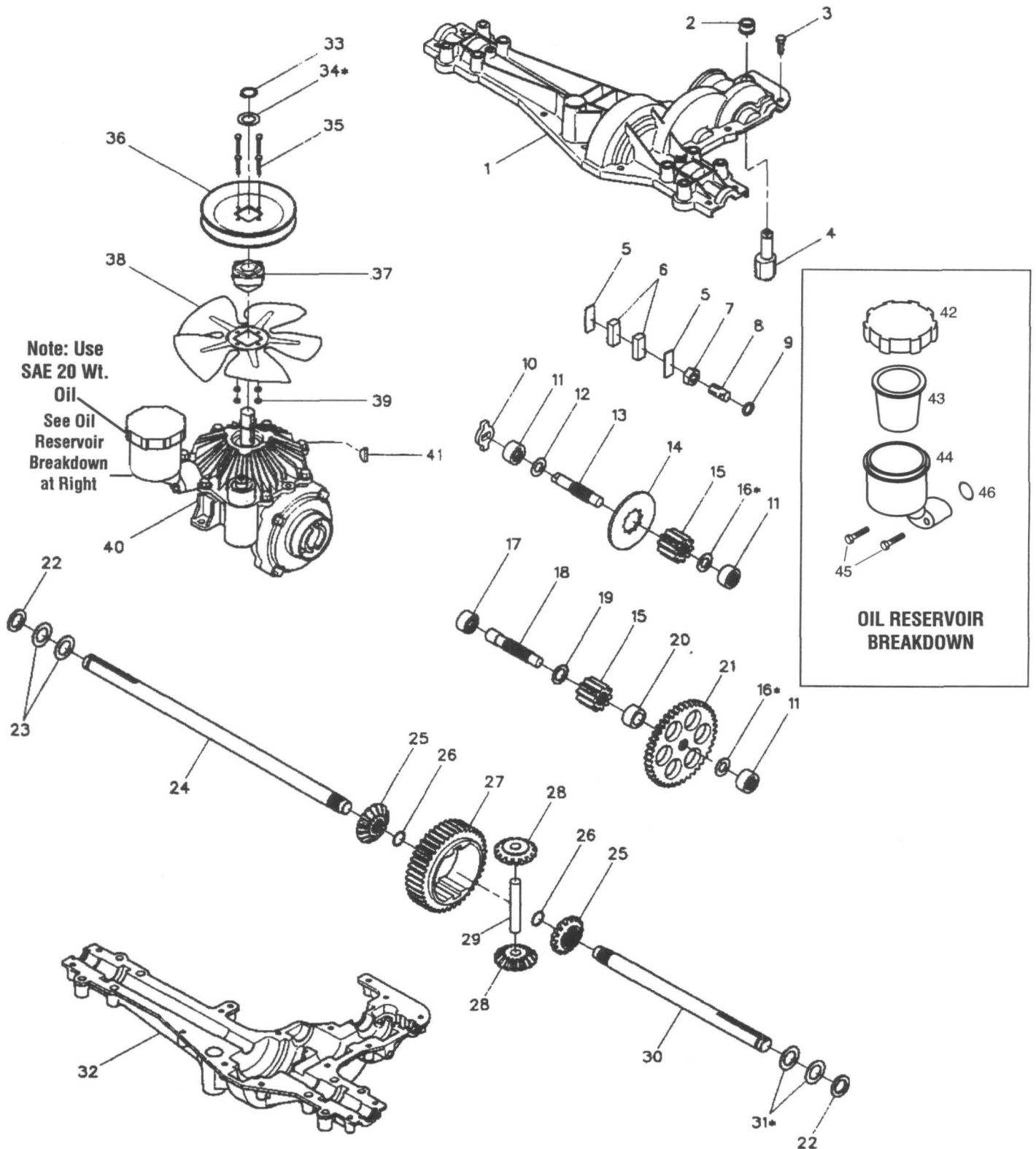
Ref. No.	Part No.	Description	No. Req'd	13060		Med Frame Series	QT-05 thru 10	HT Series
				5100 5000 Series	13061 13062 13063			
	1745147	Hydro Assy., use 1764708	1	X				
	1729274	Hydro Assy., use 1745136	1			(A)		
	1764708	Hydro Assy.	1		X		X	
	1736048	Hydro Assy.	1					X
	1743861	Hydro Assy. use 1764708	1			(B)		
1	Buy Local	Socket Hd. Cap Screw 5/16-18x1-3/4 (Included with Ref. 4)	1	X	X	X	X	X
2	1744151	Ball Bearing (Input).....	1		X		X	X
3	1724376	Oil Seal.....	1	X		X		
	1724381	Oil Seal.....	1		X		X	X
4	1744188	Charge Pump Kit (Includes Ref. 1, 3, 5, 6, 7, 8, 10 & 12)	1	X		X		
	1744189	Charge Pump Kit (Includes Ref. 1, 3, 5, 6, 7, 8, 10 & 12)	1		X		X	
	1744190	Charge Pump Kit (Includes Ref. 1, 3, 5, 6, 7, 8, 10 & 12)	1					X
5	1724375	Snap Ring (Included with Ref. 4).....	1	X	X	X	X	X
6	1744155	Sq. Seal Ring (Included with Ref. 4).....	1	X	X	X	X	X
7	1724377	Grass Shield (Included with Ref. 4).....	1	X	X			
8	1744157	Sq. Seal Ring (Included with Ref. 4).....	1	X	X	X	X	X
9	1744154	Cover Sub Assy.	1	X	X	X	X	X
10	Buy Local	Socket Hd. Cap Screw 5/16-18x1-1/4 (Included with Ref. 4)	6	X	X	X	X	X
11	1744171	Retaining Ring	1		X		X	X
12	1744159	Drive Pin (Included with Ref. 4)	1	X	X	X	X	X
13	1724376	Oil Seal.....	1	X	X	X	X	X
14	1744185	Square Seal Ring	1	X	X	X	X	X
15	1744011	Input Shaft Sub Assy. (Splined).....	1			X		
	1744160	Input Shaft Sub Assy. (Keyed)	1	X		(C)		
	1744162	Input Shaft Sub Assy. (Keyed)	1		X		X	X
16	1744164	Pump Rotor & Ball Assy.	1	X	X	X	X	X
17	1744184	Cam Ring Assy.....	1	X	X	X	X	X
18	1744176	Cam Ring Insert.....		X	X	X	X	X
19	1744166	Pintle Assy. (Includes internal parts)	1	X	X	X	X	
	1744167	Pintle Assy. (Includes internal parts)	1					X
20	1744177	Motor Rotor & Ball Sub Assy.	1	X	X	X	X	X
21	1744010	Output Shaft Sub Assy.	1	X	X	X	X	X
22	1744180	Body Assy. (Includes Ref. 21, 24, 25)	1	X	X	X	X	X
23	1744179	O-Ring Plug Sub Assy.....	1	X	X	X	X	X
24	1104440	Ball Bearing (Output)	1	X	X	X	X	X
25	1724380	Retaining Ring	1	X	X	X	X	X

A - XT Model - Order 1745147. Replace Input Shaft with 1744011 (Splined).

B - All Models, Except XT - Order 1745147 (Keyed Input Shaft) Early units may require Hub 1742662, Key 1185885, Roll Pin 1185409 and two Set Screws 1737419.

C - Replaces splined shaft (except XT). If required, order Hub 1742662, Key 1185885, Roll Pin 1185409, and two Set Screws 1737419.

EATON MODEL 650 BREAKDOWN



6

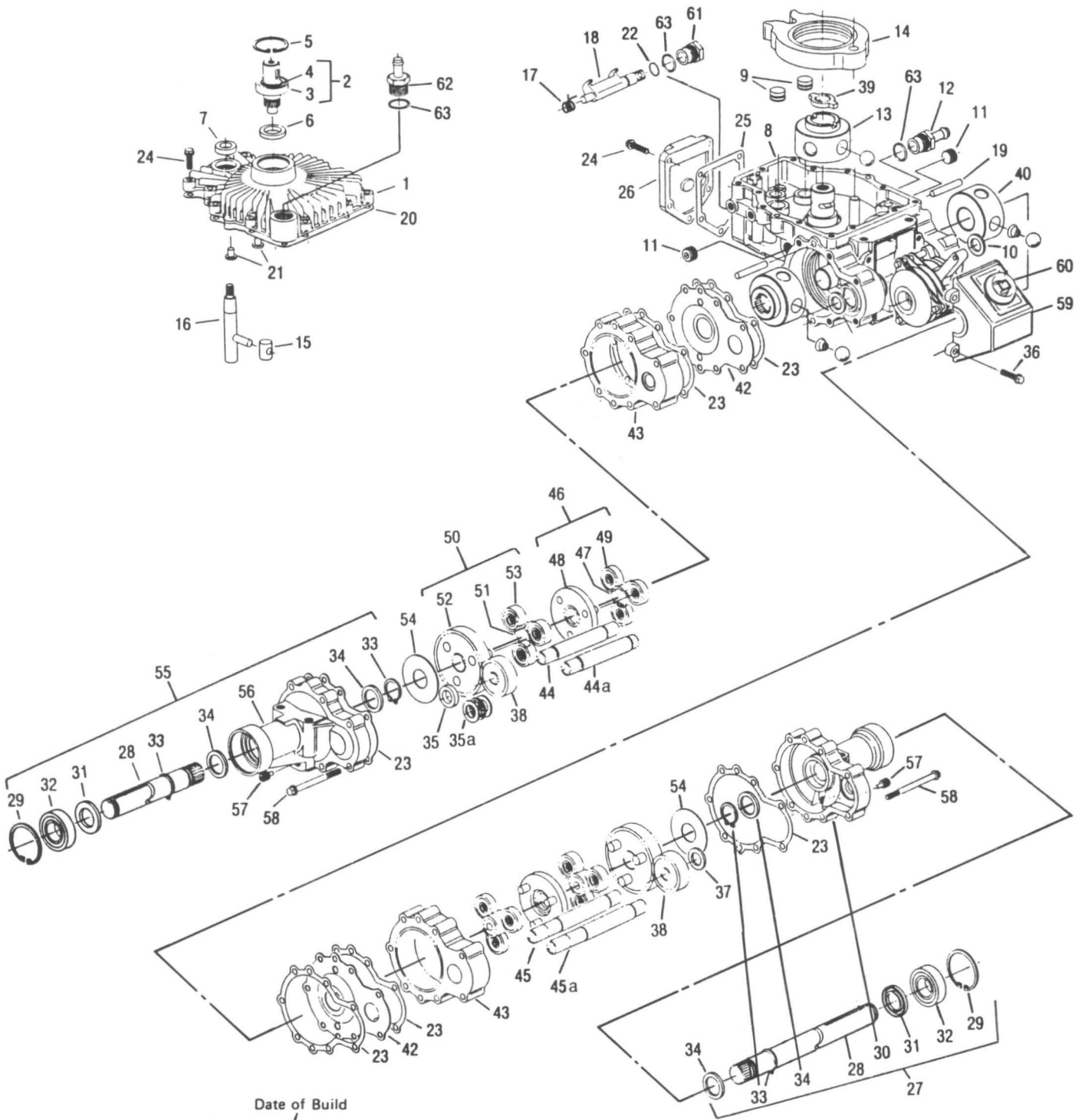
EATON MODEL 650 PARTS LIST

Ref #	Part #	Description	Qty.
1	1769260	Housing, Upper.....	1
2	1769261	V-Ring.....	1
3	1769262	Screw, Tapping, 1/4-20 x .734.....	16
4	1769263	Assy., Shaft & Cam.....	1
5	1769624	Spacer.....	2
6	1769265	Puck, Friction.....	2
7	1769266	Nut, Locking Jam.....	1
8	1769267	Stud, Adjustment.....	1
9	1769628	O-Ring.....	1
10	1769269	Key, Drive.....	1
11	1769270	Assy., Bearing.....	3
12	1769271	Washer, Plain, .505 x .942 x .040.....	1
13	1769272	Shaft, Input.....	1
14	1769273	Disc, Brake.....	1
15	1769274	Gear, Spur, 10T.....	2
16	1769275	Assy., Kit, Shim, .500 Shaft.....	2*
17	1769276	Assy., Bearing.....	1
18	1769277	Shaft, Idler.....	1
19	1769278	Washer, Plain, .632 x 1.00 x .041.....	1
20	1769279	Spacer, .630 x 1.00 x .549.....	1
21	1769280	Gear, Spur, 41T.....	1
22	1769281	Washer, Neoprene.....	2

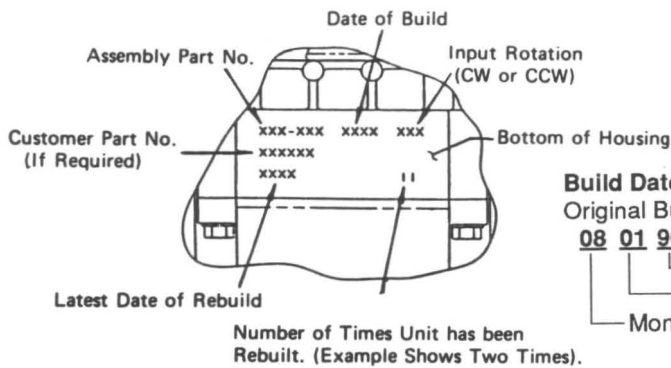
Ref #	Part #	Description	Qty.
23	1769282	Washer, Plain, .758 x 1.25 x .031.....	2
24	1769283	Axle, L.H.	1
25	1769284	Gear, Miter, 15T.....	2
26	1769285	Ring, Retaining.....	2
27	1769286	Gear, Spur, 41T.....	1
28	1769287	Gear, Miter, 15T.....	2
29	1769288	Shaft, Cross.....	1
30	1769289	Axle, T.H.	1
31	1769290	Assy., Kit, Shim, .750 Shaft.....	1*
32	1769291	Housing, Lower.....	1
33	1769292	Ring, Retaining.....	1
34	1769293	Assy., Kit, Shim, .670 Shaft.....	1*
35	1769294	Bolt, Hex Hd., #6-32 x .88.....	4
36	1769295	Pulley, 4.50 Dia.	1
37	1769296	Hub.....	1
38	1769297	Fan, 7.00 Dia.	1
39	1769298	Nut, Lock, #6-32.....	4
40	1769299	Hst, CW Control Rotation.....	1
41	1769300	Key, Woodruff, #61.....	1
42		Grease.....	1

* Use in various combinations to maintain proper clearances.

EATON MODEL 750 BREAKDOWN



6



Build Date Code Effective August 1, 1990

Original Build (example - 080190)

08 01 90
 ———— Year
 ———— Day
 ———— Month

Factory Rebuild (example - 0801901)

08 01 90 1
 ———— Year
 ———— Day
 ———— Month
 ———— No. Times Rebuilt

EATON MODEL 750 PARTS LIST
SUBURBAN TRACTORS

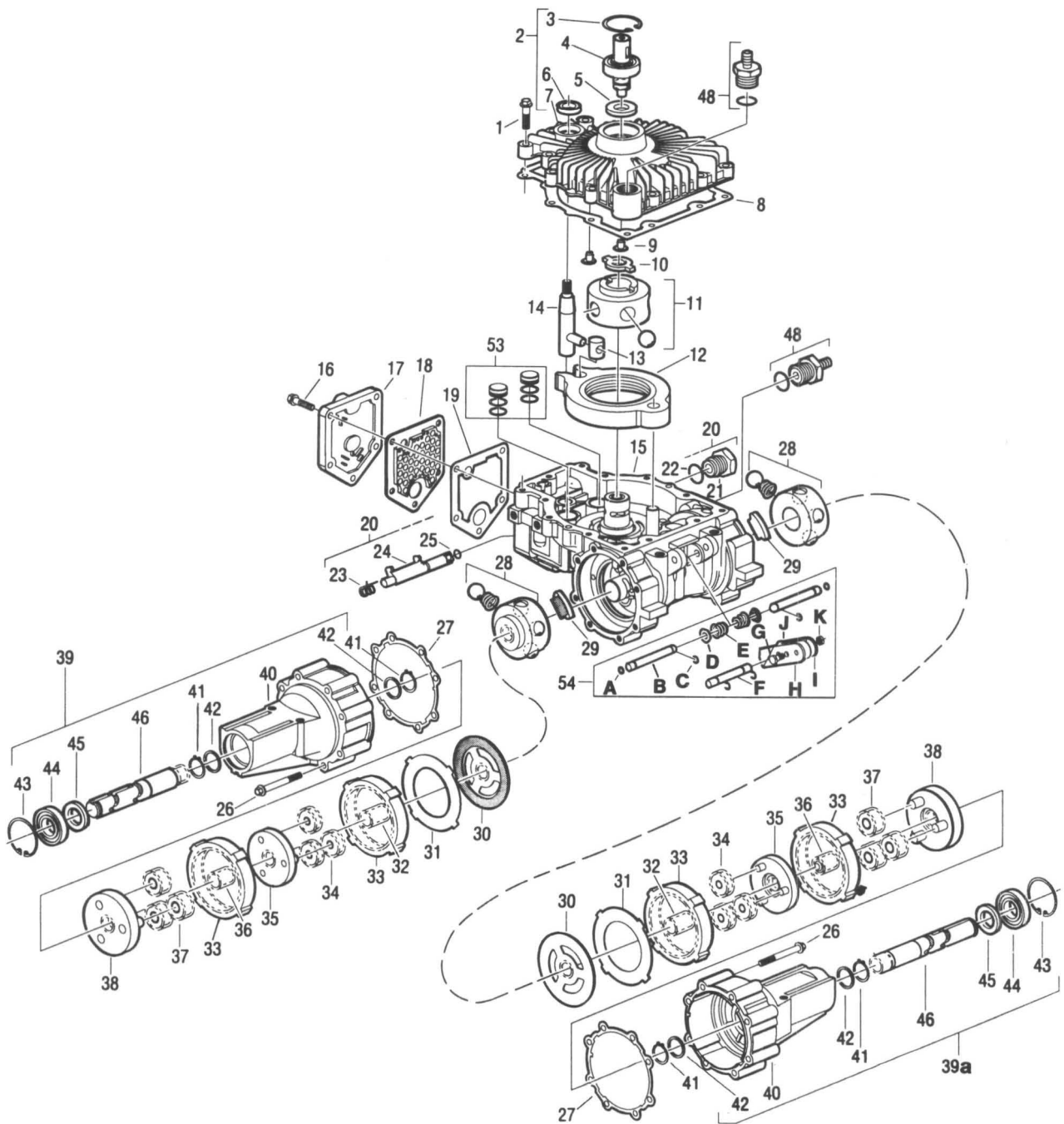
Ref. No.	Part No.	Description	No. Req'd
	1756053	Hydro. Assy. (1).....	1
	1760368	Hydro Assy. (2).....	1
1	1757676	Cover, Subassy. (S/A) (1)	1
	1761982	Cover, Subassy. (S/A) (1)	1
2	1757677	Shaft Assy., Input, (S/A) (1)	1
	1761983	Shaft, Input, (S/A) (2)	1
3	N/A	Bearing, Input Shaft (1) .	1
	N/A	Bearing, Input Shaft (2) .	1
4	N/A	Ring, Retaining, External (1)	1
	N/A	Ring, Retaining, External (2)	1
5	1757372	Ring, Retaining, Internal	1
6	1757373	Seal, Input Shaft (1)	1
	1761984	Seal, Input Shaft (2)	1
7	1757374	Seal, Control Shaft	1
8	1757680	Housing, (S/A CW)	1
9	1757681	Piston, Dampening, (S/A)	2
10	1757682	Seal, Brake Shaft	2
11	1757683	Plug, Socket Pipe	2
12	1757684	Adapter, Reservoir, 3/8 . I.D. Tube.....	1
13	1757685	Pump Rotor-Ball, (S/A)..	1
14	1757686	Cam Ring, (S/A)	1
15	1757687	Insert	1
16	1757688	Control Shaft, (S/A)	1
17	1757375	Spring, Dump Valve	1
18	1757376	Bracket, Dump Valve.....	1
19	1757689	Dowel	4
*20	1757690	Gasket, Cover	1
21	1757691	Button	2
22	1757377	O-Ring Dump Valve Bracket	1
*23	1757692	Gasket, Axle Housing....	6
24	1757693	Screw, 1/4-20 Hex Flange	18
*25	1757378	Gasket, Valve Cover	1
26	1757694	Cover, Valve.....	1
27	1757695	Axle Housing, (S/A - B) .	1
28	1757696	Shaft, Axle	1
29	1757697	Retaining Ring, International	1
30	1757698	Housing, Axle - B.....	1
31	1757699	Seal, Axle Shaft	1
32	1757700	Bearing, Axle Shaft.....	1
33	1757701	Retaining Ring, External	2
34	1757702	Washer, Thrust.....	2

Ref. No.	Part No.	Description	No. Req'd
35	1757703	Spacer, (Thick-PB)	1
35a	1757704	Washer, Thrust (DL/PB)	2
35a	1757705	Bearing, Thrust (DL/PB)	1
36	1757706	Screw, 1/4-20 Self Tap..	4
37	1757707	Spacer (Thin-PB or DL/PB)	1
38	1757708	Brake Gear	2
39	1757709	Drive	1
40	1757710	Motor Rotor-Ball (A & B S/A) 18T	2
41	1757713	Differential Lock/Parking Brake Assembly	1
42	1757714	Plate, Wear.....	2
43	1757715	Ring Gear, (A & B S/A) 54T	2
44	1757716	Brake Shaft - A (PB).....	1
44a	1757717	Brake Shaft - A (DL/PB)	1
45	1757718	Brake Shaft - B (DL/PB)	1
45a	1757719	Brake Shaft - B (DL/PB)	1
46	1757720	Planetary Gear, First (A & B S/A)	2
47	1757721	Sun Gear, First, 18T.....	2
48	1757722	Primary Carrier, (A & B S/A) 18T	2
49	1757723	Planetary Gear, (A & B S/A) First 18T	6
50	1757724	Planetary Gear, Second (A & B S/A)	2
51	1757725	Sun Gear, Second, 18T.	2
52	1757726	Secondary Carrier, (A & B S/A)	2
53	1757727	Planetary Gear, (A & scB S/A) Second, 18T	6
54	1757728	Washer, Thrust.....	2
55	1757729	Axle Housing, (S/A - A) .	1
56	1757732	Housing Axle - A.....	1
57	1757736	Plug, Magnetic.....	2
58	1757737	Screw, 1/4-20 Hex Flange	14
59	1757738	Cover, (PB or DL/PB)....	1
60	1757739	Boot, Dust.....	1
61	1757740	Nut, Dump Valve	1
62	1757741	Adapter, Reservoir, 3/8 I.D. Tube.....	1
63	1757381	O-Ring	3
NI	1757380	Gasket Overhaul Kit (Contains parts indicated by *)	

*NOTE: Please check availability before ordering parts.
Only certain parts are carried at this time.
1 - .75 diameter input shaft. (Model 750-009)

NI - Not Illustrated
N/A - Not Available
2 - .669 diameter input shaft. (Model 750-024)

EATON MODEL 751 BREAKDOWN
BOLENS & TROY-BILT SUBURBAN TRACTORS



6

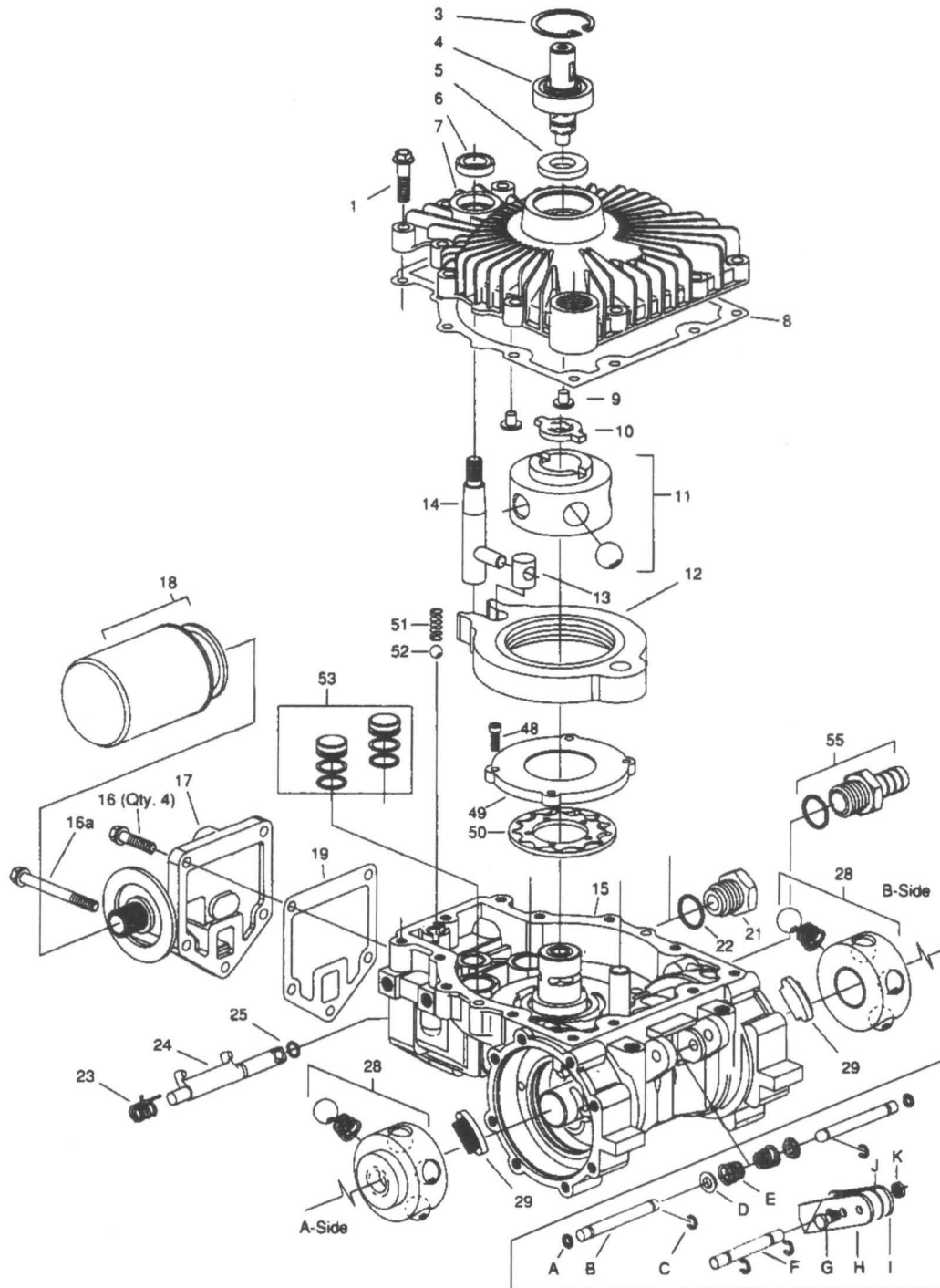
EATON MODEL 751 PARTS LIST
BOLENS & TROY-BILT SUBURBAN TRACTORS

Ref. No.	Part No.	Description	No. Req'd
1		Screw, 1/4-20 Self Tap	13
2		Cover (S/A)	1
3		Ring, Retaining, Internal	1
4	1760892	Shaft, Input (S/A)	1
5	1760893	Seal, Input Shaft	1
6	1757374	Seal, Control Shaft.....	1
7		Cover	1
8		Gasket, Cover	1
9		Button	2
10		Drive	1
11		Pump Rotor/Ball (S/A)	1
		Pump Rotor/Ball/Pin (S/A) ...	1
12		Cam Ring (S/A).....	1
13		Insert.....	1
14		Control Shaft, External Thrd	1
15		Housing (S/A)	1
16		Screw, 1/4-20 Hex Flange ...	5
17		Cover, Valve	1
18	1764020	Filter (Internal)	1
19	1764021	Gasket	1
20		Dump Valve Parts.....	1
21		Nut, Dump Valve Fitting	1
22		Seal, O-Ring	1
23		Spring, Dump Valve.....	1
24	1757376	Bracket, Dump Valve	1
25	1757377	Seal, O-Ring	1
26		Screw 5/16 Hex Flange	16
27		Gasket Axle Housing	2
28		18T Motor Rotor/Ball (S/A) ..	2
29		Pad, Friction (S/A)	2
30		Plate, Reaction	2
31		Plate, Backup.....	2
32		18T Sun Gear First	2
33		Gear, Ring 54T	4

Ref. No.	Part No.	Description	No. Req'd
		Gear, Ring 57T	4
34		18T Planet Gear (S/A) First .	6
35		18T Primary Carrier (S/A)	2
36		18T Sun Gear, Second	2
37		18T Plnt Gear (S/A) Second	6
38		Secondary Carrier (S/A)	2
39		Axle Housing (S/A) A-Side...	1
39a		Axle Housing (S/A) B-Side...	1
		Magnet (S/A).....	2
40		Housing Axle.....	2
41		Ring, Retaining, External	4
42		Thrust Washer	4
43		Ring, Retaining, Internal	2
44	1757700	Bearing, Ball	2
45		Seal, Radial Lip.....	2
46		Shaft, Axle - A-Side	1
		Shaft, Axle - B-Side	1
48		375 Str. Fitting/O-Ring (S/A)	A/R
53		Piston, Dampening	
		Piston (S/A).....	2
		Piston (S/A).....	2
54		Brake Lever Parts	
A		Quad Seal.....	2
B		Rod, Push	2
C		E-Ring.....	4
D		Spring Base (S/A)	2
E		Spring, Conical	2
F		Shaft, Brake	1
G		Screw, Cap, Hex.....	1
H		Lever, Brake RH	1
I		Lever, Brake LH.....	1
J		Shim.....	A/R
K		Nut, Hex, Lock	1

NOTE: Please check availability before ordering parts.
 Only certain parts are carried at this time.

EATON MODEL 851-111 BREAKDOWN & PARTS LIST

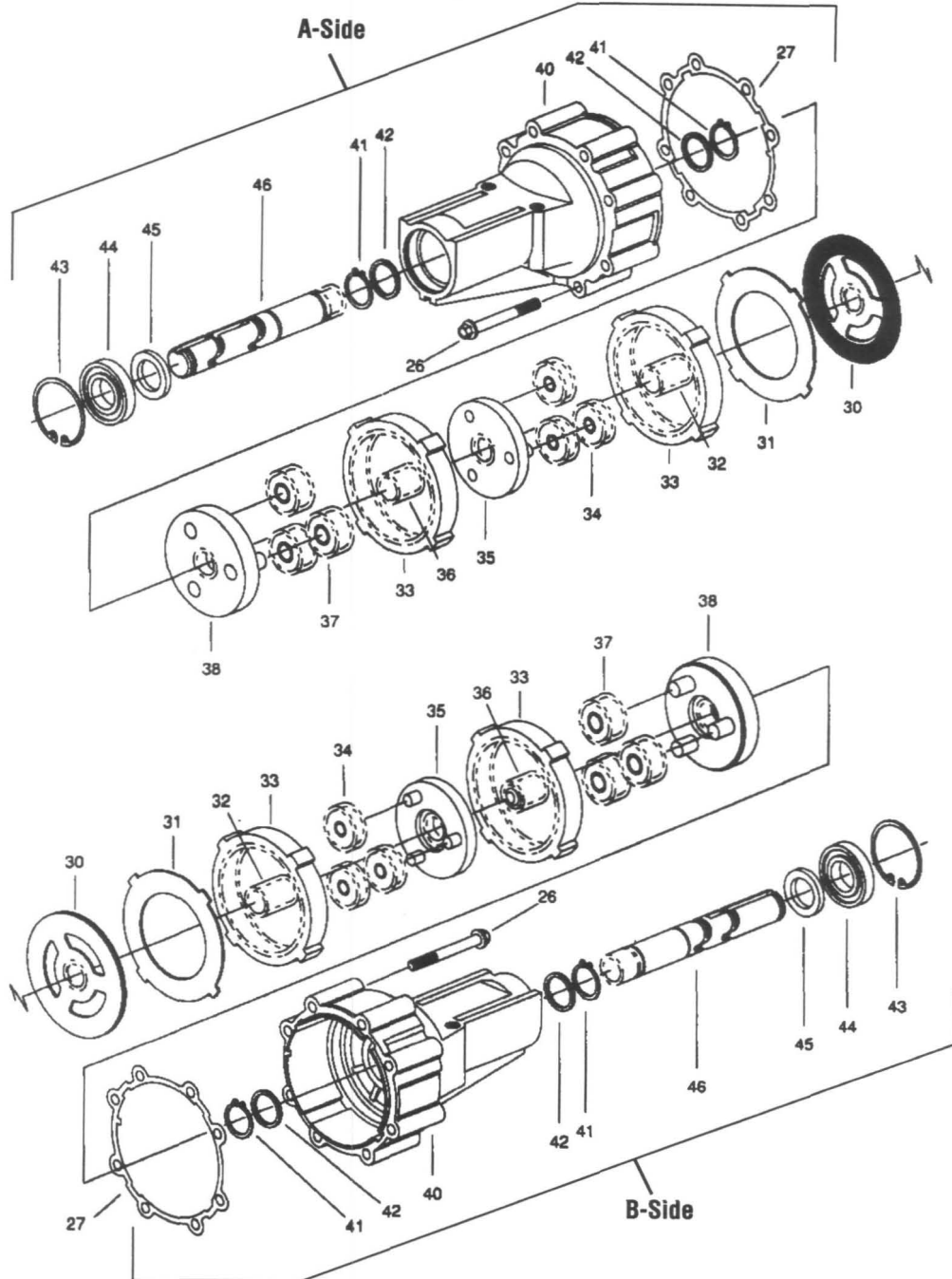


Ref #	Part #	Description	Qty.
1	1769200	Self Tapping Screw	13
3	1769201	Ring, Retaining, Int.....	1
4	1760892	Shaft, Input (S/A).....	1
5	1760893	Seal Input Shaft.....	1
6	1757374	Seal, Control Shaft.....	1
7	1769202	Cover.....	1
8	1769203	Gasket, Cover	1

Ref #	Part #	Description	Qty.
9	1769204	Button.....	2
10	1769205	Drive.....	1
11	1769206	Pump Rotor/Ball/Pin (S/A).....	1
12	1769207	Cam Ring	1
13	1769208	Insert	1
14	1769209	Control Shaft, External Thrd.	1
15	1769211	Housing (S/A).....	1

6

EATON MODEL 851-111 BREAKDOWN & PARTS LIST (CONT'D)



Ref #	Part #	Description	Qty.
16	1769212	Screw, 1/4-20 Hex Flange	A/R
16a	1769213	Screw, 1/4-20 Hex Flange	1
17	1769214	Filter Base "L"	1
18	1769125	Filter	1
19	1769127	Gasket	1
21	1769215	Nut, Dump Valve Fitting	1
22	1769216	Seal, O-ring	1
23	1769217	Spring, Dump Valve	1
24	1757376	Bracket, Dump Valve	1
25	1757377	Seal, O-ring	1

Ref #	Part #	Description	Qty.
26	1769218	Screw, 5/16 Hex Flange	16
27	1769219	Gasket, Axle Housing	2
28	1769220	15T Motor Rotor/Ball (S/A)	2
29	1769221	Pad, Friction (S/A)	2
30	1769222	Reaction, Plate	2
31	1769223	Plate, Backup	2
32	1769224	15T Sun Gear, First	2
33	1769225	Gear, Ring 57T	4
34	1769226	21T Planet Gear (S/A) First	6
35	1769227	15T Primary Carrier (S/A)	2

6

EATON MODEL 851-111 PARTS LIST (CON'T)

Ref #	Part #	Description	Qty.
36	1769228	15T Sun Gear, Second (Steel)	2
37	1769229	21T Pint Gear (S/A) Second (Steel)	6
38	1769230	Secondary Carrier (S/A)	2
40	1769231	Axle Housing (S/A) A-Side & B-Side...	1
41	1769232	Ring, Retaining, External.....	4
42	1769233	Thrust Washer	4
43	1769234	Ring, Retaining, Internal	2
44	1757700	Bearing, Ball	2
45	1769235	Seal, Radial Lip.....	2
46	1769236	Shaft, Axle - A-Side	1
48	1769237	Screw, Cap Socket	4
49	1769238	Plate, Pump (Class II)	1
50	1769239	Gerotor (Class II)	1
51	1769240	Spring.....	1
52	1769241	Ball.....	1

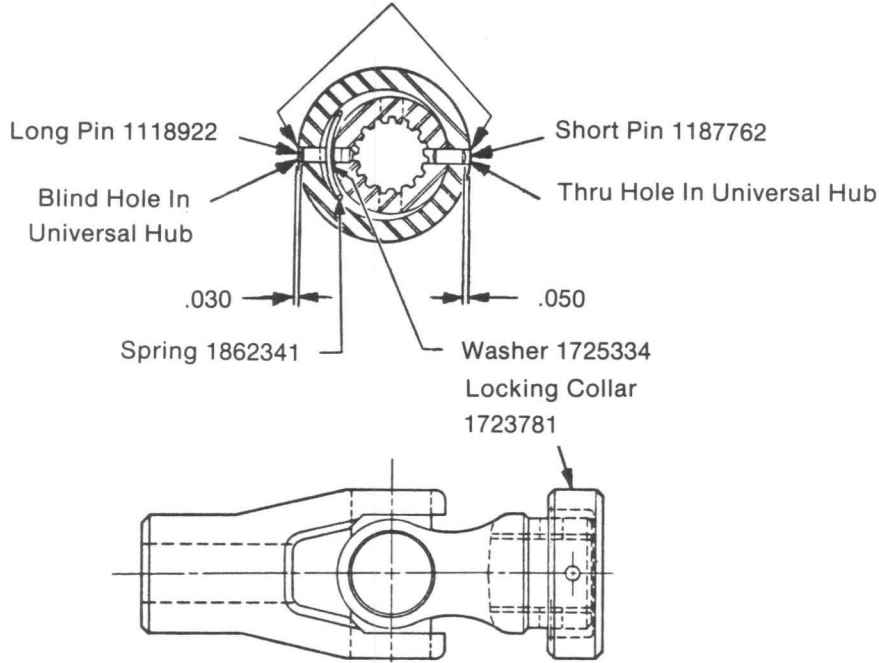
Ref #	Part #	Description	Qty.
53	1769242	Piston, Dampening	
54		Brake Lever Parts	
	A 1769243	Quad Seal	2
	B 1769244	Rod, Push	2
	C 1769245	E-Ring.....	4
	D 1769246	Spring Base (S/A)	2
	E 1769247	Spring Conical	2
	F 1769248	Shaft, Brake	1
	G 1769249	Screw, Cap, Hex	1
	H 1769250	Lever, Brake, R.H.	1
	I 1769251	Lever, Brake, L.H.	1
	J 1769252	Shim.....	A/R
	K 1769253	Nut, Hex, Lock	1
55	1769254	.625 Str. Fitting/O-ring	1

6

PTO QUICK-LATCH UNIVERSAL LOCKING COLLAR

BOLENS & TROY-BILT

Stake Both Pins



UNIVERSAL JOINT REPAIR KITS

Identification

On Bearing Cap

Knurled Edges - .976 Dia.

USA NB - .9375 Dia.

Plain - .562 Dia.

Order

Coupling

172-4400

172-4579

N/A

Order

Cross Kit

172-4401

1714208

N/A

TILLER DRIVESHAFTS

GASOLINE TRACTORS

BOLENS & TROY-BILT

PART NO.	LENGTH (INCHES)	TILLER MODEL	WHERE USED
1713549 (NLA)	35.625	18609	180 & 181 (600) - Tube Frame Series
1713550	38.625	18608	Tube Frame Series
		18609	Tube Frame Series
		18614	Tube Frame Series
		18616	Tube Frame Series
		18618	Tube Frame Series
1718767(NLA)	47.250	18025-01-02	197 (1250), 198 (1455)
1722630 (NLA)	47.250	18090 (18091)	198 (1455), 1476, 1477
1722650	49.75	18090 (18092)	1886-01 thru -04
(use 1723964)			
1723964*	49.75	19230	"Q" Series
1724734*	50.312	18093	1886S-05 & Later, 2086, 2087, 2389, 2389S
1726891* (NLA)	51.187	18315-01	Use w/18309-Early XL's (Medium Frame)
1733911*	54.312	18315-02 & Later	Use w/18309 (Medium Frame Series)
1738560*	50.062	18322	Use w/18318 (Medium Frame Series)
(Use 1738559)			
1744925*	52.72	50333	5000 Series
1755221*	52.87	51333	5100 Series
		14065	GTX Series

*Includes Locking Collar

SMALL (STAMPED) FRAME TRACTOR ATTACHMENT INTERCHANGEABILITY*

Description	Model	510	610	613	813	G8	G8	LT8	LT8E	LT11
		510 -01 -02	610 -01 -02	613 -01 -02 -03	813 -01 -02	813 -04 -05 -09	813 -06 thru -08	812 -01 -02	814 -01 -02	1113 -01 -02
Blade - 32" Mechanical Angle	15102	X	X	X	X	X	X	X	X	X
Dump Cart - 4.5 cu. ft. 7.5 cu. ft.	15110 16466	X	X	X	X	X	X	X	X	X X
Light Kit (1725650) (1737569)	15107 15117 18725			X	X	X			X	
Mower - 28" Side Discharge	15100	X								
32" Side Discharge	15101		X	X	(1)	X	X	(2)	(2)	
38" Side Discharge	15108				X	X	X			
42" Side Discharge	15114 15115	NR	NR	NR	NR	NR	NR	X NR	X NR	X X
Mower Boot (F/Vac & 28" Mower)	15153	X								
(F/Vac & 33" Mower)	15154		X	X	X	X	X	X	X	
(F/Vac & 38" Mower)	15155									X
Mower Transport Kit	15103	X								
Running Board Kit (1742508)	15120	X	X	X	X	X	X	X	X	X
Snowthrower - 32" Single Stage	15104		X	X	X	X	X	X	X	X
Snowthrower Slicer Bar Kit	1720887		X	X	X	X	X	X	X	
Speed Change Kit (1722995)	15106		X	X	X	X	X			
String Trimmer - 12 volt	6888 30904			X	X	X	X		X	X
Tire Chains - (F/16x6.50x8)	16050		X	X		X	X			
(1723180) (F/16x7.50x8)	16051				X			X		
(1715616) (F/4.80/4.00x8)	16214	X								
(1738417) (F/18x8.50x8)	15118								X	
(1738418) (F/18x9.50x8)	15119									X
Vac Sweeper	15150	X	X	X	X	X	X	X	X	X
Vac Hitch (F/Vac Sweeper)	15151	X	X	X	X	X	X	X	X	X
Vac Hitch & Boot (F/Vac Sweeper)	15158					X	X	X		
Wheel Weights (pr) 70 lbs. Rear Cast	15105 15116	X X	X X	X X	X X	X X	X X	X X	X X	X X

1 - Will fit on 161 and 165 only

X - Will fit without changes

*NOTE: Attachments no longer available.

2 - Use only 15101 starting w/SN 07 & higher.

SMALL FRAME TRACTOR ATTACHMENT INTERCHANGEABILITY*

Description	Model	770	775	730	733	736
		160 161 164 165	166 -01 -02	730 -01	733 -01	736 -01
Blade - 42" Mechanical Angle	18003	X	X	X	X	X
Cab - Softside (Original)	18008	X	X	X	X	X
Dump Cart - 7.5 cu. ft.	16466	X	X	X	X	X
10 cu. ft.	16465	X	X	X	X	X
Light Kit - Headlight	18004	(1)	X		X	X
Mower - 32" Side Discharge	18001	X	X	X	X	X
38" Side Discharge	18007	X	X	X	X	X
Mower Hitch - 3 Gang	16442	X	X	X	X	X
Snowthrower - 32" Single Stage	18002	X	X	X	X	X
String Trimmer - 12 volt	6888	X	X		X	X
	30904	X	X		X	X
Tire Chains (F/20-8.00x10)	16007	X	X	X	X	X
Vac Attachment	18481	X	X	X	X	X
Vac Sweeper	18005	X	X	X	X	X
Wheel Weights (pr) 70lb. Rear Cast	18012	X	X	X	X	X

1 - Will fit on 161 and 165 only

X - Will fit without changes

*NOTE: Attachments no longer available

LAWN KEEPER & ESTATE KEEPER ATTACHMENT INTERCHANGEABILITY*

Description	Model	L.K.	L.K.	L.K.	L.K.	E.K.	E.K.
		910 -01 -02	911 -01 -02	914 -01 -02	915 -01 thru -03	930 -01 -02	931 -01 -02
Blade - 36" Mechanical Angle	19105	X	X	X	X		
38" Mechanical Angle	19304					X	X
	19314					X	X
Cab - Softside (Original)	19700					X	X
	19701					X	X
Driveshaft Attachment	19313						X
Electric Start Kit	19106		X		X		
Mower - 28" Side Discharge	19101	X		X			
32" Side Discharge	19102		X		X		
	19107			X			
	19108				X		
	19303					X	X
38" Side Discharge	19307					X	X
42" Side Discharge	19342					X	X
	19343					X	X
22" Trail Gang	16440					X	X
30" Reel	19301					X	X
	19311					X	X
Mower Hitch - 2 Gang	16441					X	X
3 Gang	16442					X	X
Snowthrower - 32" Single Stage	19302					X	X
	19312					X	X
Spring Assist Kit	19306					X	X
Thatcher - 42"	16460					X	X
Thatcher Hitch Kit	19310					X	X
Tire Chains (F/3.50/4.10x6)	16010	X		X			
(F/12x5.00x6)	16011		X		X		
(F/16x6.50x8)	16050					X	X
Transport Lift Kit	19104	X	X	X	X		
Weight Rear	19305					X	X

X - Will fit without changes

*NOTE: Attachments no longer available.

LAWN & YARD TRACTOR ATTACHMENT INTERCHANGEABILITY*

Description	Model	H11LT 1011H	G11LT 1011G	G16YT 2016G
Bagging Attachment (F/38" Mower)	10900	X	X	
Blade - 42" Mechanical Angle	10242	X	X	X
Dump Cart - 7.5 cu. ft.	16466	X	X	X
10 cu. ft.	16465	X	X	X
Mower - 38" Side Discharge	10038S	X	X	
42" Side Discharge	20042S			X
Snowthrower - 38" Single Stage	10136	X	X	(1)
Snowthrower Mounting Kit (Snowthrower)	20960			X
String Trimmer - 12 volt	6888	X	X	X
	30904	X	X	X
Tiller - 26" Rotary	20326			X
Tire Chains (F/20-8.00x10)	1745130	X	X	
(F/22x7.50x12)	1863382			X
Wheel Weights (pr) 62lb. Rear Cast	10910	X	X	
75lb. Rear Cast	20910			X
50lb. Rear Cast	30902			X

X - Will fit without changes

1 - Requires Kit 20960

*NOTE: Attachments no longer available.

MEDIUM (TUBE) FRAME SERIES TRACTOR ATTACHMENT INTERCHANGEABILITY*

Description	Model	750	600	600	600	600	650	800	900	1000
		171 -01 172 -01	180 -01 -02	180 -03 -04	181 -01 -02	181 -03 -04	184 -01 185 -01	186 -01 187 -01	188 01-02 189 01-02	190 -01
Ammeter Kit	18701		X	X	X	X		X		
Blade - 42" Mechanical Angle	18531	X	X	X	X	X	X	X	X	X
	18532	X	X	X	X	X	X	X	X	X
Back Rest Assembly	18200	X	X	X	X	X	X	X	X	
Blade Angling Kit	19222	X	X	X	X	X	X	X	X	X
Cab - Softside (Original Cab Co)	18523								(10)	X
(14)	18700	X	X	X	X	X	X	X		
	18702	X	X	X	X	X	X	X	X	
	18705	X	X	X	X	X	X	X	X	X
	18706						X			
	18707	X	X	X	X	X	X	X	X	X
	18708	X	X	X	X	X	X	X	X	X
Dual Wheel Kit (F/8-12 Tire)	18827	X	X	X	X	X	X	X	(9)	
Dump Cart - 7.5 cu. ft.	16466	X	X	X	X	X	X	X	X	X
10 cu. ft.	16465								X	X
Hitch - Mower (F/18441 & 18442)	18478	X	X	X	X	X	X	X	X	X
(F/18449)	18479							X	X	X
(F/18457)	18480									X
3 Gang Mower	16442	X	X	X	X	X	X	X	X	X
5 Gang Mower	16443	X	X	X	X	X	X	X	X	X
Kit (F/18417 & 18422)	18425							X	X	X
Sleeve Category	18907	X	X	X	X	X	X	X	X	X
Thatcher	18410	X	X	X	X	X	X	X	X	X
Hub Caps - Chrome (1714144)	16999	X	X	X	X	X	X	X	X	X
Lift Kit - Hydraulic	18703							X	X	X
	18709							X	X	X
Light Kit - Dual Light	18201	(8)	X	X			(3)	(7)	(10)	X
	18720	(12)			X	X	(3)	(7)	(10)	X
	18721						(3)			

Footnotes: Page 61

MEDIUM (TUBE) FRAME SERIES TRACTOR ATTACHMENT INTERCHANGEABILITY* (CONT'D)

Description	Model	750	600	600	600	600	650	800	900	1000
		171 -01 172 -01	180 -01 -02	180 -03 -04	181 -01 -02	181 -03 -04	184 -01 185 -01	186 -01 187 -01	188 01-02 189 01-02	190 -01
Mower - 32" Side Discharge	18440	(1)	O	O	O	O	(1)	(1)	(1)	(1)
	18441	(2)	(2)	X	(2)	O	X	X	X	X
	18442	O	(4)	(5)	(4)	(5)	O	X	X	X
38" Side Discharge	18445	NR	X	X	X	X	NR	NR	NR	NR
	18415	NR	NR	NR	NR	NR	NR	X	X	X
	18416	NR	NR	NR	NR	NR	NR	X	X	X
	18417	NR	NR	NR	NR	NR	NR	(6)	(6)	(6)
	18418	NR	NR	NR	NR	NR	NR	(11)	(11)	(11)
	18446	NR	NR	NR	NR	NR	NR	O	X	NR
42" Side Discharge	18449	NR	NR	NR	NR	NR	NR	X	O	O
	18420	NR	NR	NR	NR	NR	NR	NR	NR	X
	18421	NR	NR	NR	NR	NR	NR	NR	NR	X
	18422	NR	NR	NR	NR	NR	NR	NR	NR	(6)
	18423	NR	NR	NR	NR	NR	NR	NR	NR	(11)
	18457	NR	NR	NR	NR	NR	NR	NR	NR	O
PTO Kit - Front (540 RPM)	18704	X	X	X	X	X	X	X	X	X
	18905	X	X	X	X	X	X	X	X	X
Snowthrower - 32" Single Stage	18513	X	X	X	X	X	X	X	X	
	18514	X	X	X	X	X	X	X	X	
36" Single Stage	18516	X	NR	NR	NR	NR	X	X	X	X
38" Single Stage	18538	X	NR	NR	NR	NR	X	X	X	X
Spring Assist Kit	18520	X	X	X	X	X	X	X	X	X
Starter Kit Electric	18710	X			X	X	X	X	X	X
String Trimmer - 12 Volt	6888	X			X	X	X		X	X
	30904	X			X	X	X		X	X
Tiller - 22" Rotary	18608	X	(13)	(13)	(13)	(13)	X	X	X	X
	18609	X	X	X	X	X	X	X	X	X
Req. 18612	18610	X						X	X	X
25" Rotary (Req. 18612)	18614							X	X	X
Req. 18612	18616							X	X	X
Tiller Driveshaft (1713549)	18611		X	X	X	X	X			
(1713550)	18612							X	X	X
Tiller Ext. Kit (F/18614)	18615							X	X	X
(F/18616)	18617							X	X	X
(F/18608, 18609, 18610)	18837	X	X	X	X	X	X	X	X	X
Tire Chains (6-12)	16215	X	X	X	X	X	X		(9)	
(1716190) (8-12)	16217								(10)	X
Wheel Kit (F/18457)	18458									X
Wheel Weights - 70lbs. Front Cast Iron	21740	X	X	X	X	X	X	X	X	X
- 35lbs. (ea) Front Cast Iron	21741	X	X	X	X	X	X	X	X	X
100lbs. Pr. Rear Plastic	16168	X	X	X	X	X	X	X		
50lbs. Ea. Rear Cast Iron	16156	X	X	X	X	X	X	X	X	X
	16167	X	X	X	X	X	X	X	X	X
	30902	X	X	X	X	X	X	X	X	X

- O - Original equipment
- X - Will fit without changes
- 1 - Req. 1714890 Uni. Joint Assy.
- 2 - Req. 1716658 kit
- 3 - 185-01 only
- 4 - Req. 1716658 kit plus 3" shorter driveshaft
- 5 - Req. 3" shorter driveshaft
- 6 - See page 46, footnote 2, for required parts

- 7 - 187-01 only
- 8 - 172-01 only
- 9 - 188 only
- 10 - 189 only
- 11 - Req. 1722848 & 1722848 pins
- 12 - 172 only
- 13 - Req. 1713549
- 14 - Order all parts from Original Cab Co.
(317) 663-2214

*NOTE: Attachments no longer available.

MEDIUM (TUBE) FRAME SERIES TRACTOR ATTACHMENT INTERCHANGEABILITY* (CONT'D)

Description	Model	850	1050	1220	1225	853	G9	1053	1054	G10	G11
		191 -01 -02	192 -01 -02	193 -01	194 -01	853 -01 thru -03	855 -01 -02	1053 -01 -02	1054 -01 thru -04	1055 -01 thru -03	1155 -01
Blade - 42" Mechanical Angle	18532	X	X	X	X	X	X	X	X	X	X
Blade Angling Kit	19222	X	X	X	X	X	X	X	X	X	X
Cab - Metal (Cozy Cab) (7) Soft Side (Original Cab Co.) (8)	18523	X	X	X	X	X	X	X	X	X	X
	18705	X	X	X		X	X	X	X	X	X
	18706	X				X	X				
	18707	X	X	X	X	X	X	X	X	X	X
	18708	X	X	X	X	X	X	X	X	X	X
Dump Cart - 7.5 cu. ft. 10 cu. ft.	16466	X	X	X	X	X	X	X	X	X	X
	16465	X	X	X	X	X	X	X	X	X	X
Hitch - Mower (F/18441 & 18442) (F/18449) (F/18480) 3 Gang Mower 5 Gang Mower Kit (F/18417) Thatcher Sleeve Category	18478	X	X	X	X	X	X	X	X	X	X
	18479	X	X	X		X	X	X	X	X	X
	18480		X	X				X	X	X	X
	16442	X	X	X	X	X	X	X	X	X	X
	16443	X	X	X	X	X	X	X	X	X	X
	18425	X	X	X	X	X	X	X	X	X	X
	18410	X	X	X	X	X	X	X	X	X	X
18907	X	X	X	X	X	X	X	X	X	X	
Hub Caps - Chrome (1714144)	16999	X	X	X	X	X	X	X	X	X	X
Lift Kit - Hydraulic	18703	X	X	X		X		X	X	(6)	X
	18709	X	X	X		X	X	X	X	(6)	X
Light Kit - Dual Light	18721	X				X			X	X	X
	18722							X	X	X	X
Mower - 32" Side Discharge 38" Side Discharge 42" Side Discharge	18440	(1)	(1)	(1)	NR	(1)	(1)	(1)	(1)	(1)	(1)
	18441	(3)	(3)	(3)	NR	(3)	(3)	(3)	(3)	(3)	(3)
	18442	X	X	X	NR	X	X	X	X	X	X
	18445	NR	NR	NR	NR	NR	NR	NR	NR	NR	NR
	18415	O	X	X	X	X	X	X	X	X	X
	18416	O	X	X	X	X	X	X	X	X	X
	18417	(2)	(2)	(2)	(2)	O	(2)	(4)	(2)	(2)	(2)
	18418	(5)	(5)	(5)	(5)	O	X	X	X	X	X
	18446	NR	NR	NR	NR	NR	NR	NR	NR	NR	NR
	18449	X	X	X	X	X	X	X	X	X	X
	18420	NR	X	O	O	NR	NR	X	X	NR	NR
	18421	NR	X	O	O	NR	NR	X	X	NR	NR
	18422	NR	(2)	(2)	(2)	NR	NR	O	X	NR	NR
	18423	NR	(5)	(5)	(5)	NR	NR	X	O	NR	NR
	18457	NR	X	X	X	NR	NR	X	X	NR	NR
Muffler - Hush Tone	16620		X		X			X	X		
	16621			X							
PTO Kit - Front (540 RPM)	18704	X	X	X	X	X	X	X	X	X	X
	18905	X	X	X	X	X	X	X	X	X	X
Snowthrower - 36" Single Stage 38" Single Stage	18516	X	X	X	X	X	X	X	X	X	X
	18538	X	X	X	X	X	X	X	X	X	X
Spring Assist Kit	18520	X	X	X		X	X	X	X	X	X
String Trimmer - 12 Volt	6888	X	X	X	X	X	X	X	X	X	X
	30904		X	X	X	X	X	X	X	X	X
Tiller - 22" Rotary (Req. 18612) 25" Rotary (Req. 18612) (Req. 18612) 33" Rotary	18608	X	X	NR	NR	X	X	X	X	X	X
	18610	X	X			X	X			X	X
	18614	X	X	X	X	X	X	X	X	X	X
	18616	X	X	X	X	X	X	X	X	X	X
	18618	X	X	X	X	X	X	X	X	X	X
Tiller Driveshaft (1713550)	18612	X	X	X	X	X	X	X	X	X	X
Tiller Ext. Kit (F/18616 & 18618) (F/18608, 18609 & 18610)	18617	X	X	X	X	X	X	X	X	X	X
	18837	X	X			X	X	X	X	X	X

Footnotes: Page 63

MEDIUM (TUBE) FRAME SERIES TRACTOR ATTACHMENT INTERCHANGEABILITY* (CONT'D)

Description	Model	850	1050	1220	1225	853	G9	1053	1054	G10	G11
		191 -01 -02	192 -01 -02	193 -01	194 -01	853 -01 thru -03	855 -01 -02	1053 -01 -02	1054 -01 thru -04	1055 -01 thru -03	1155 -01
Tire Chains (176190) (8-12)	16217	X	X	X	X	X	X	X	X	X	X
Wheel Kit (F/18457 Mower)	18458		X								
Wheel Weights - 70lbs. Front Cast Iron	21740	X	X	X	X	X	X	X	X	X	X
- 35bs. (ea) Front Cast Iron	21741	X	X	X	X	X	X	X	X	X	X
50lbs. Ea. Rear Cast Iron	16167	X	X	X	X	X	X	X	X	X	X
	30902	X	X	X	X	X	X	X	X	X	X
100lbs. Rear Plastic	16168					X	X			X	X

1 - Req. 1714890 Uni. joint assy.

2 - Req. 1 - 1722455 Link

2 - 1703011 Spring Cotter

1 - 1722454 Control Link

4 - 1100350 Cotter pin

8 - 1106876 HHCS (5/16-18x7/8)

8 - 1182563 Hex Nut (5/16-18)

1 - 1720492 Lift Arm Assy.

1 - 1720493 Lift Arm Assy.

8 - 1100252 Lock Washer (5/16")

8 - 1100255 Flat Washer (5/16")

*NOTE: Attachments no longer available.

3 - Req. 1716309 Uni. joint assy.

4 - Req. Parts in "2" for 1053-01

Will fit without changes in 1053-02

5 - Req. (2) 1722848 & (2) 1722849 pins

6 - 1055-01 or 02 require 1731271 engine sheave

7 - Order all parts from Custom Products

(612) 693-3221.

8 - Order all parts from Original Cab Co.

(317) 663-2214

MEDIUM (TUBE) FRAME SERIES TRACTOR ATTACHMENT INTERCHANGEABILITY* (CONT'D)

Description	Model	1253	1254	G12	1256	1256	1257	G14	H14	1556	H16
		1253 -01 -02	1254 -01 thru -06	1255 -01	1256 -01	1256 -02 thru -07	1257 -01	1453 -01 thru -05	1456 -01 thru -04	1556 -01 thru -04	1656 -01 thru -04
Blade - 42" Mechanical Angle	18531	X	X	X	X	X	X	X	X	X	X
	18532	X	X	X	X	X	X	X	X	X	X
Blade Angling Kit	19222	X	X	X	X	X	X	X	X	X	X
Cab - Metal (Cozy Cab) (9)	18523	X	X	X	X	X	X	X	X	X	X
Soft Side (Original Cab Co.) (10)	18705	X	X	X				X			
	18707	X	X	X	X	X	X	X	X	X	X
	18708	X	X	X	X	X	X	X	X	X	X
Dump Cart - 7.5 cu. ft.	16466	X	X	X	X	X	X	X	X	X	X
10 cu. ft.	16465	X	X	X	X	X	X	X	X	X	X
Hitch - Mower (F/18441 & 18442)	18478	X	X	X				X			
(F/18449)	18479	X	X	X				X			
(F/18457)	18480	X	X	X				X			
3 Gang Mower	16442	X	X	X	X	X	X	X	X	X	X
5 Gang Mower	16443	X	X	X	X	X	X	X	X	X	X
Kit (F/18417 & 18422 Mower)	18425	X	X	X	X	X	X	X	X	X	X
Sleeve Category	18907	X	X	X	X	X	X	X	X	X	X
Hub Caps - Chrome (1714144)	16999	X	X	X	X	X	X	X	X	X	X
Lift Kit - Hydraulic	18703	X	X					X			
	18709	X	X					X			
Light Kit - Dual Light	18721			X							
Tail Light	18723			X				X	X		(6)
	19214			X				X	X		X

Footnotes: Page 64

MEDIUM (TUBE) FRAME SERIES TRACTOR ATTACHMENT INTERCHANGEABILITY* (CONT'D)

Description	Model	1253	1254	G12	1256	1256	1257	G14	H14	1556	H16
		1253 -01 -02	1254 -01 thru -06	1255 -01	1256 -01	1256 -02 thru -07	1257 -01	1453 -01 thru -05	1456 -01 thru -03	1556 -01 thru -04	1656 -01 thru -04
Mower - 32" Side Discharge 38" Side Discharge 42" Side Discharge	18440	(1)	(1)	(1)	NR	NR	NR	(1)	NR	NR	NR
	18441	(3)	(3)	(3)	NR	NR	NR	(3)	NR	NR	NR
	18442	X	X	X	NR	NR	NR	X	NR	NR	NR
	18445	NR	NR	NR	NR	NR	NR	NR	NR	NR	NR
	18415	X	X	X	(5)	(5)	(5)	X	(5)	(5)	(5)
	18416	X	X	X	(5)	(5)	(5)	X	(5)	(5)	(5)
	18417	(4)	(2)	(2)	X	(2)	X	(2)	(2)	(2)	(2)
	18418	(8)	(8)	(8)	(8)	(8)	(8)	X	X	X	X
	18446	X	X	X	NR	NR	NR	NR	NR	NR	NR
	18449	X	X	X	NR	NR	NR	X	NR	NR	NR
	18420	X	X	X	(5)	(5)	(5)	X	(5)	(5)	(5)
	18421	X	X	X	(5)	(5)	(5)	X	(5)	(5)	(5)
	18422	(4)	(2)	(2)	O	(2)	O	X	(2)	(2)	(2)
	18423	(8)	O	O	(8)	O	O	O	O	O	O
	18457	X	X	X	NR	NR	NR	X	NR	NR	NR
Muffler - Hush Tone	16620			X	X	X					
	16621	X					X		X		
PTO Kit - Front (540 RPM)	18704	X	X	X	X	X	X	X	X	X	X
	18905	X	X	X	X	X	X	X	X	X	X
Snowthrower - 36" Single Stage 38" Single Stage	18516	X	X	X	X	X	X	X	X	X	X
	18538	X	X	X	X	X	X	X	X	X	X
Snowthrower Handle Support Spacer	18526				X	X	X		X	X	
Spring Assist Kit	18520	X	X	X				X			
String Trimmer - 12 Volt	6888	X	X	X	X	X	X	X	X	X	X
	30904	X	X	X	X	X	X	X	X	X	X
Tiller - 25" Rotary (Req. Tiller Driveshaft) 33" Rotary	18614	X	X	X	X	X	X	X	X	X	X
	18616	X	X	X	X	X	X	X	X	X	X
	18618	X	X	X	X	X	X	X	X	X	X
Tiller Driveshaft (1713550)	18612	X	X	X	X	X	X	X	X	X	
Tiller Ext. Kit (F/18616 & 18618)	18615	X	X	X	X	X	X	X	X	X	X
	18617	X	X	X	X	X	X	X	X	X	X
Tire Chains (1716190) (8-12) (1721585) (23X10.50-12)	16217	X			X	X	X		X	X	X
	16219		X	X				X	X	X	X
Wheel Kit (F/18457)	18458	X	X	X				X			
Wheel Weights 70lbs. Front Cast Iron 35lbs.(ea) Front Cast Iron 50lbs.(ea).Rear Cast Iron 100lbs. Pr. Rear Plastic	21740	X	X	X	X	X	X	X	X	X	X
	21741	X	X	X	X	X	X	X	X	X	X
	16167	X	X	X	X	X	X	X	X	X	X
	30902	X	X	X	X	X	X	X	X	X	X
	16168			X							

O - Original Equipment

X - Will fit without changes

NR - Not Recommended

1 - Req. 1714890 uni. joint assy.

2 - See page 58, footnote 2, for required parts

3 - Req. 1716309 uni. joint

4 - Req. parts in "2" for 1253-01 will fit without changes on 1253-02.

*NOTE: Attachments no longer available.

5 - Req. 1722454 & 1722455 links

6 - Will fit 1656-02 through -04

7 - Will not fit with Ag. tires

8 - Req. (2) 1722848 & (2) 1722849 pins

9 - Order all parts from Custom Products (612) 693-3221.

10 - Order all parts from Original Cab Co. (317) 663-2214.

MEDIUM FRAME SERIES TRACTOR ATTACHMENT INTERCHANGEABILITY *

Description	Model	H11XL	G11XL	G11XL	H12XL	G12XL	H14XL	GT14	GT14
		1058 -01-02	1060 -01-02	1160 -01-02	1258 -01-02	1261 -01-02 1400G 1463 -01	1458 -01-02 -03	1460 -01	1460 -02
Arm Rest Kit (1734870)	18106						(5)		X
Bagging Attachment • Pwr. Pkr. Plus (Req. Cart Collector or 2 Bag Hopper)	30917	X	X	X	X	X	X	X	X
• Cart Collector (Req. 30917) 17 Bushel	30921	X	X	X	X	X	X	X	X
• 2 Bag Hopper (Req. 30917) 6 Bushel	50922	X	X	X	X	X	X	X	X
Blade - 42" Mechanical Angle	18305-01 18305-02 & Later	X	X	X	X	X	X	X	X
Blade Angling Kit	19222 1767251	X	X	X	X	X	X	X	X
Cab - Soft Side (Original Cab Co.)(23)	19708	X	X	X	X	X	X	X	X
Hard Top	50930	X	X	X	X	X	X		
Cruise Control Kit (1739017)	18326-01	X					X		
(1746636)	18326-02-03	(20)			(20)		(20)		
Dump Cart - 7.5 cu. ft.	16466	X	X	X	X	X	X	X	X
10.0 cu. ft.	16465	X	X	X	X	X	X	X	X
GRS (F/42" Side Discharge Mowers)	34501	X	X	X	X	X	X	X	X
(F/48" Side Discharge Mowers)	34501					X	X	X	X
Hitch - Rear Attachment Kit (18)	18340	X	X	X	X	X	X		
Sleeve Category (15) (19)	18330-01							X	X
(15)	18330-02	(19)	(19)	(19)	(19)	(19)	(19)		
(15)	18330-03	(13)	(13)	(13)	(13)	(13)	(13)		
Hour Meter Kit (1754550)	18096	X	X	X	X	X	X		X
Hub Caps - Chrome (1714144)	16999	X	X	X	X	X	X	X	X
Lift Kit - Electric	18325-01 18325-02 18325-03							X X (4)	X X (4)
Hydraulic (1734450)	18327	X			X				
Light Kit - Dual Tail (1734856)	18723				X	X	X	X	X
Head & Tail (1734616)	18724	X	X	X					
Mower - 42" Side Discharge	18300	X	X	X	X	X	X	X	X
42" Rear Discharge (17)	18335	X	X	X	X	X	X	X	X
48" Side Discharge	18301					(14)	X	X	X
	18338						X	X	X
48" Rear Discharge	18336					(21)	X	X	X
PTO Kit - (F/Tiller, Snowthrower)	18309-01 18309-02 18309-04-05	(2) (7)	(2) (7)	(2) (7)	(2) (7)	(2) (7)	X (7)	(1)	X
(9)	18318	(8)	(8)	(8)	X	X	(8)		
Snowthrower - 38" Single Stage (w/18309-01 PTO Kit) (Req. PTO Kit)	18311-01							X	
46" 2-Stage (Req. Mount Kit & PTO)	18311-02 & Later 50146	X	X	X	X	X	X	(3)	X
Snowthrower Mounting Kit (F/50146)	18346					(14)	X		
Snowthrower Shoe Kit(F/18311-03-04)	18314	X	X	X	X	X	X		X
Storage Cover	50914	X	X	X	X	X	X	X	X
String Trimmer - 12 Volt	6888	X	X	X	X	X	X	X	X
12 Volt	30904	X	X	X	X	X	X	X	X

Footnotes: Page 66

MEDIUM FRAME SERIES TRACTOR ATTACHMENT INTERCHANGEABILITY* (CONT'D)

Description	Model	H11XL	G11XL	G11XL	H12XL	G12XL	H14XL	GT14	GT14
		1058 -01-02	1060 -01-02	1160 -01-02	1258 -01-02	1261 -01-02 1400G 1463 -01	1458 -01-02 -03	1460 -01	1460 -02
Tiller - 25" Rotary (Req. Tiller Adapter) 33" Rotary (12)	18616 18315-01 18315-02	X	X	X	X	X	X	(16) X	(16) X
(Req. 18309-02/05 PTO & 18340 Hitch)	18315-03	(11)	(11)	(11)	(11)	(11)	(11)		
(Req. 18309-02/05 PTO) (13)	18315-04-05	(11)	(11)	(11)	(11)	(11)	(11)		
(Req. 18318 PTO Kit)	18322	(8)(10)	(8)(10)	(8)(10)	(8)(10)	(8)(10)	(8)(10)		
Tiller Ext. Kit (F/18315, 18322 Tiller) (6)	18320-01 18320-02-03	X	X	X	X	X	X	X	X
Tire Chains (1716190) (F/8-12)	16217	X	X						
(1721585) (F/23x10.50-12)	16219			X	X	X	X	X	X
Tire Kit - Ag. (23x8.50-12)	18841	X	X	X	X	X	X	X	X
Vac Attachment - Peco (Req. 18029)	50966	(22)	(22)	(22)	(22)	(22)	(22)	(22)	(22)
Weight Carrier (Req. 5 ea. 1319)	51951	X	X	X	X	X	X	X	X
Wheel Weights 70lbs. Front Cast Iron	21741	X	X	X	X	X	X	X	X
35lbs. (ea) Front Cast Iron	18029	X	X	X	X	X	X	X	X
100lbs. Pr. Rear Plastic	16168	X	X	X	X	X	X	X	X
50lbs. Ea. Rear Cast Iron	16167	X	X	X	X	X	X	X	X
	30902	X	X	X	X	X	X	X	X

X - Will fit without changes.

NR - Not recommended.

- 1 - Sold as part of tiller & snow caster. Use with any snow caster, 18315-01 tiller or any other tiller with 18315-01 driveshaft (1726891) (51-3/16").
- 2 - Req. relocate Pin in front bolster to higher position.
- 3 - Req. 18309 PTO originally sold with 18311-01 snow caster.
- 4 - Decal change required, order 1729314.
- 5 - Fits 1458-02 & 03 only.
- 6 - For use with 18315-01 tiller attachment. Clevis pin 1732053 & 1732481 hub assy. Replace parts 1706419 & 1729543 assy.
- 7 - 1058-02, 1060-02, 1463 & 1458-02, relocate upper pin to lower hole.
- 8 - Req. front bolster 1738561.
- 9 - 18315 tiller req. 1738559 driveshaft (50-1/16").

- 10 - 18309-02/05 can be used with 18322 if driveshaft 1733911 is ordered. (54-5/16").
- 11 - 18318 can be used with 18315 if driveshaft 1738559 is ordered.
- 12 - Includes 18309.
- 13 - Includes 18340 (1733854 & 1733855) hitch arms.
- 14 - Use with 1463 only.
- 15 - Use with 18908, 18910, 18911, 18923 & 18955.
- 16 - Extra holes in rear of frame required.
- 17 - 18335-02 requires 1726701 belt.
- 18 - Consisted of 1733854 & 1733755 hitch arm assemblies.
- 19 - Requires 18340 hitch kit.
- 20 - Requires brake pedal 1738449.
- 21 - Use 1739080 belt (78.8)1453 only.
- 22 - Purchase from Peco Co. 1-800-438-5823.
- 23 - Order all parts from Original Cab Co. (317) 663-2214.

*NOTE: Check Accessory or Sales Price List for availability.

MEDIUM FRAME SERIES TRACTOR ATTACHMENT INTERCHANGEABILITY* (CONT'D)

Description	Model	G14XL	H16XL	H16XT	G16XL	G16XT	G16X1	H16X1	H18XL
		1461 -01-02	1658 -01-02	1659 -01 1600H 1668 1668L 1669 1669L	1661 -01-02 03	1662 1600G 1667 1400G 1467 1468	1663 -01-02	1664 -01-02	1858 01-02
Bagging Attachment	14058	X	X	X	X	X	X	X	X
•Pwr. Pkr. Plus (Req. Cart Collector or Bag Hopper)	30917	X	X	X	X	X	X	X	X
•Cart Collector (Req. PowerPacker Plus)	14070	X	X	X	X	X	X	X	X
	30921	X	X	X	X	X	X	X	X
•2 Bag Hopper (Req. PowerPacker Plus)	14069	X	X	X	X	X	X	X	X
	50922	X	X	X	X	X	X	X	X
Blade - 42" Mechanical Angle	18305-02-03	X	X	X	X	X	X	X	X
Blade Angling Kit	19222	X	X	X	X	X	X	X	X
	1767251	X	X	X	X	X	X	X	X
Cab - Soft Side (Original Cab Co.)(17)	19708	X	X	X	X	X	X	X	X
Hard Top	50930	X	X	X	X	X	X	X	X
Cruise Control Kit (1739017)	18326-01		X	X				X	X
(1746636)	18326-02-03		(15)	(15)					(15)
Dump Cart - 7.5 cu. ft.	16466	X	X	X	X	X	X	X	X
10.0 cu. ft.	16465	X	X	X	X	X	X	X	X
GRS (f/42" & 48" Side Discharge Mowers)	14011	X	X	X	X	X	X	X	X
	14032	X	X	X	X	X	X	X	X
	34501	X	X	X	X	X	X	X	X
Hitch - Rear Attachment Kit (2)	18340	X	X	X	X	X	X	X	X
Sleeve Category (16)	18330-02	X	X	X	X	X	X	X	X
(14)	18330-03	X	X	X	X	X	X	X	X
Hour Meter Kit (1754550)	18096	X	X	X	X	X	X	X	X
Hub Caps - Chrome (1714144)	16999	X	X	X	X	X	X	X	X
Lift Kit - Electric	18325-02	X			X		X		
	18325-03	X			X	X	X		
Hydraulic (1734450)	18327			X				X	
Light Kit - Dual Tail (1734856)	18723	X	X	X	X	X	X	X	X
Mower - 42" Side Discharge	14023	(9)	(9)	(6)	(9)	(6)	(9)	(9)	(9)
	18300	(9)	(9)	(6)	(9)	(6)	(9)	(9)	(9)
42" Rear Discharge	14031	(9)	(9)	(6)	(9)	(6)	(9)	(9)	(9)
	18335	(9)	(9)	(6)	(9)	(6)	(9)	(9)	(9)
48" Side Discharge	14024	(10)	(10)	(7)	(10)	(7)	(10)	(10)	(10)
	18301	(10)	(10)	(7)	(10)	(7)	(10)	(10)	(10)
	18338	(9)	(9)	(6)	(9)	(6)	(9)	(9)	(9)
48" Rear Discharge	18336	(10)	(10)	(7)	(10)	(7)	(10)	(10)	(10)
PTO Kit - (F/Tiller, Snowthrower)	18309-02	(11)	(11)	(8)	(11)	(8)	(11)	(11)	(11)
	18309-03/05	(3)(11)	(3)(11)	(8)	(3)(11)	(8)	(3)(11)	(3)(11)	(3)(11)
(5)(13)	18318	(4)(11)	(4)(11)	(8)	(4)(11)	(8)	(4)(11)	(4)(11)	(4)(11)
Snowthrower - 38" Single Stage (Req. 18309-02/04 PTO Kit)	18311-01-03/05	X	X	X	X	X	X	X	X
46" 2-Stage (Req. PTO Kit & 18346 Mounting Kit)	50146	X	X	X	X	X	X	X	X
Snowthrower Mounting Kit (f/2 Stage)	18346	X	X	X	X	X	X	X	X
Snowthrower Shoe Kit(f/18311-03-04)	18314	X	X	X	X	X	X	X	X
Storage Cover	50914	X	X	X	X	X	X	X	X
String Trimmer - 12 Volt	6888	X	X	X	X	X	X	X	X
12 Volt	30904	X	X	X	X	X	X	X	X

Footnotes: Page 68

MEDIUM FRAME SERIES TRACTOR ATTACHMENT INTERCHANGEABILITY* (CONT'D)

Description	Model	G14XL	H16XL	H16XT	G16XL	G16XT	G16X1	H16X1	H18XL
		1461 -01-02	1658 -01-02	1659 -01 1600H 1668 1668L 1669 1669L	1661 -01-02 03	1662 1600G 1667 1400G 1467 1468	1663 -01-02	1664 -01-02	1858 01-02
Tiller - 33" Rotary (Req. PTO & Hitch)	18315-03		X	X		X		X	X
(Req. 18309-02/05 PTO)	18315-04-05	X	X	X	X	X	X	X	X
(Req. 18318 PTO Kit)	18322	(4)	(4)	X	(4)	X	X	X	X
Tiller Ext. Kit	18320-02-03	X	X	X	X	X	X	X	X
Tire Chains (1721585)	16219	X	X	X	X	X	X	X	X
(f/23x10.50-12)									
(1716190)	16217	X	X	X	X	X	X	X	X
(f/23x8.50-12)									
Tire Kit - Ag. (23x8.50-12)	18841	X	X	X	X	X	X	X	X
Vac Attachment - Peco (Req. 18029 Front Wheel Weights)	50966	X	X	X	X	X	X	X	X
Weight Carrier (Req. 5 ea. 1319 Weights)	51951	X	X	X	X	X	X	X	X
Wheel Weights - 70 lbs. Front Cast Iron	18029	X	X	X	X	X	X	X	X
35 lbs. (ea) Front Cast Iron	21741	X	X	X	X	X	X	X	X
50 lbs. (ea) Rear Cast Iron	14090	X	X	X	X	X	X	X	X
	16167	X	X	X	X	X	X	X	X
	30902	X	X	X	X	X	X	X	X
100 lbs. (pr) Rear Plastic	16168	X	X	X	X	X	X	X	X

X - Will fit without changes.

- 1 - Req. relocate pin in front bolster to higher position.
- 2 - Consists of 1733854 & 1733855 hitch arms.
- 3 - 1461-01, 1658-02, 1661-01, 1667, 1668 & 1662 - Relocate upper pin to lower hole.
- 4 - Requires front bolster 1738561.
- 5 - 18315 Tiller req. (50-1/16") Driveshaft.
- 6 - Use 1741576 belt (81.38").
- 7 - Use 1741577 belt (83.25").
- 8 - Use 1741578 belt (42.38).
- 9 - Use 1726701 V-Belt (77.00).

- 10 - Use 1739080 V-Belt (78.86).
- 11 - Use 1742385 V-Belt (38.31).
- 12 - 18309-02/05 can be used with 18322 if driveshaft 1733911 (54-5/16") is ordered.
- 13 - 18318 can be used with 18315 and driveshaft 1738559.
- 14 - Includes 18340 with hitch arm 1733854 & 1733755.
- 15 - Requires brake pedal 1738449.
- 16 - Requires 18340 Hitch Kit.
- 17 - Order all parts from Original Cab Co. (317)663-2214 .

*NOTE: Check Accessory or Sales Price List for availability.

SUBURBAN TRACTOR ATTACHMENT INTERCHANGEABILITY*

Description	Model	ST110	ST100	HP14	ST160	GT180
		3011H 3011G 3211G	3010G ST125 3012G 3012H ST120 3112G 3212G/H 13023	3014H	3016G 3216H ST180 3018G/H ST140 3014G 3114G/H 3214G/H 13014 13016 13024	3118G
Bagging Attachment						
• Backpacker (F/36" Mower) (Req. 30907 Adapter Kit)	6951	X	X		X	
• PowerPacker (F/36" Mowers)	14008	X	X		X	
	30901	X	X		X	
	30936	X	X		X	
• PowerPacker Plus (F/42" & 48" Mowers)	14058		X	X	X	X
	30912		X	X	X	X
(Req. Cart Collector or 2 Bag Hopper)	30917		X	X	X	X
• Cart Collector (Req. PowerPacker Plus) (17 Bushel)	14070		X	X	X	X
	30921		X	X	X	X
• 2 Bag Hopper (Req. PowerPacker Plus) (6 Bushel)	30922		X	X	X	X
Backpacker Adapter Kit (F/ 6951 Backpacker)	30907	X	X		X	
Blade - 42" Mechanical Angle	14007	X	(3)	X	X	X
	30242	X	(3)	X	X	X
Cab - Hard Top (Femco) (10)	30930	(7)	(8)	X	(8)	X
	30931	(7)	X	X	X	X
Drawbar Weight (85 lbs.)	30915	X	X	X	X	X
Dump Cart - 7.5 cu. ft.	14076	X	X	X	X	X
	16466	X	X	X	X	X
10.0 cu. ft.	16465	X	X	X	X	X
GRS (f/42" & 48" Mowers)	14011		X	X	X	X
(f/36" Mowers)	14012		X		X	
(f/42" & 48" Mowers)	14032		X	X	X	X
(f/36" Mowers)	34500		X		X	
(f/42" & 48" Mowers)	34501		X	X	X	X
Head Light Kit	30910		(4)			
Hitch - Sleeve Category	30920					X
Hour Meter Kit	1754550	X	X	X	X	X
Lift Kit - Manual	30909		(4)			
Electric	30900	X	(6)		X	X
Manual (Cable)	1761245	X	X	X	X	X
Mower - 36" Side Discharge	14003	X	X		X	
	30036S	X	(3)		X	
	31036S	X	X		X	
42" Side Discharge	14000	X	(3)		X	X
	14054	X	(3)		X	X
	30042S	X	(3)		X	X
	32042S			X		
42" Rear Discharge	14002	X	(3)		X	X
	14056	X	(3)		X	X
	30042R	X	(3)		X	X
48" Side Discharge	14001			X	X	
	14055			X	X	
	30048S			X	X	

Footnotes: Page 70

SUBURBAN TRACTOR ATTACHMENT INTERCHANGEABILITY* (CONT'D)

Description	Model	ST110	ST100	HP14	ST160	GT180
		3011H 3011G 3211G	3010G ST125 3012G 3012H ST120 3112G 3212G/H 13023	3014H	3016H 3216H ST180 3018G/H ST140 3014G 3114G/H 3214G/H 13014 13016 13024	3118G
Snowthrower - 38" Single Stage	14005	X	(3)	X	X	X
	30138	X	(3)	X	X	X
38" 2 Stage	30136	(5)	(5)	(5)	(5)	(5)
Snowthrower Mounting Kit (f/30136 Snowthrower)	30903	X	X	X	X	X
Storage Cover	30914	X	X	X	X	X
String Trimmer - 12 Volt	6888	X	X	X	X	X
	30904	X	X	X	X	X
Sweeper	14027	X	X	X	X	X
(Req. 14028 PTO Drive Kit f/Hydro Models)						
(Req. 14029 PTO Drive Kit f/Gear Models)	30923	(9)	(9)		(9)	X
Tiller - 26" Rotary	14006	(1)	(1)	X	X	X
	30326	(1)	(1)	X	X	
33" Rotary	30333					X
Tire Chains (f/23x8.50-12)	1716190					X
(f/20x8.00-10 & 20x8.00 - 8) (13)	1745130	X	X		X	
(f/20x10.00-8)	1754989			X		
Tire Kit - Ag (23x8.50-12)	30950					X
Voltage Sensor Kit	30970	(2)	X			
Weight-Drawbar (85 lbs.)	30915	X	(11)	X	(11)	X
Wheel Weights 50 lbs. (ea) Rear Cast Iron	14090	X	X		X	X
	30902	X	X		X	X
	30911			X		
Wheel Weights 35 lbs. (ea) Rear Cast Iron	21741		(12)	X	(12)	

*NOTE: Check Accessory or Sales Price List for availability.

X - Will fit without changes.

1 - Model 3211G & 3212G and later is equipped with a non tilling transmission. (Tiller must not be used.)

2 - For model 3211G.

3 - Model 3212-01 requires lift kit 30909.

4 - For model 3010G & 3212 only.

5 - Requires 14090 & 30903 - (3212G or H also requires 30909) - 30915 recommended.

6 - Not for 3212G, 3212H or 3010G.

7 - Do not install on these models.

8 - Modify for fuel filler on 3212G-03, 3212H-02 3114G/H-02, 3018G/H-02.

9 - Gear drive models only.

10 - Order all parts from Femco (316)241-3513.

11 - Not for the non tilling transmissions.

12 - For 8" wheels only.

13 - Remove a cross link for 8" wheels.

STG, STH, STX (NOMA) TRACTOR ATTACHMENT INTERCHANGEABILITY*

Description	Model	STG125	STX
		13058 STH125 13059	13072 13073
<i>Air Assist</i>	14017 14092	X	X
<i>Bagging Attachment</i>	14016 14093	X	X
<i>Dump Cart - 7.5 cu. ft.</i>	14076	X	X
10.0 cu. ft.	16466	X	X
	16465	X	X
<i>Mulching Attachment</i>	14088	X	X

5000/5100 SERIES TRACTOR ATTACHMENT INTERCHANGEABILITY*

Description	Model	1700	1900	GT1700	GT1800
		5017G 5017H 1800 5018H	5019H 2000 5020H	5117H GT2000 5120H	5118H 5118HS
Axle Kit (F/51611)	51911			X	X
Bagging Attachment-					
• PowerPacker Plus (F/42" & 48" Mowers) (Req. Cart Collector or Bag Hopper)	14058	(11)	(11)	(11)	(11)
	30917	(11)	(11)	(11)	(11)
• Cart Collector (Req. PowerPacker Plus)	14070	X	X	X	X
	30921	X	X	X	X
• 2 Bag Hopper (Req. PowerPacker Plus)	14069	X	X	X	X
	50922	X	X	X	X
Blade - 54" Mechanical Angle (Req. Push Arm)	14068	X	X	X	X
	19220	X	X	X	X
54" Hydraulic Angle (Req. Push Arm)	14064		X	X	
	50254		X	X	
Blade Angling Kit (F/19220 Blade)	19222	X	X	X	X
(F/14068 Blade)	1767251	X	X	X	X
Cab - (Femco) (15)	14075			X	X
Soft Side (Original Cab Co.) (14)	50930	X	X		
(Femco) (15)	51930			X	X
Cruise Control Kit (1748795)	18326	(1)	STD	STD	STD
Dump Cart - 7.5 cu. ft.	16466	X	X	X	X
10.0 cu. ft.	16465	X	X	X	X
Engine Block Heater - 400w/120v	51970			(2)	
GRS (f/42" & 48" Mowers)	14011	X	X	X	X
	14032	X	X	X	X
	34501	X	X	X	X
Hitch - Sleeve Category	14071	X	X	X	X
	50961	X	X	X	X
3 Point (Category "O")	14072	X	X	X	X
	50964	X	X		
	51964	X	X	X	X
Male Quick (f/14067 Push Arm)	1766549			X	X
Hourmeter Kit (1754550)	18096	STD	STD	STD	STD
Hub Caps - Chrome (1714144)	16999	X	X	X	X
Lift Kit - Electric	50960	(3)			
Loader w/40" Bucket	14066			(12)	(12)
	51611			(12)	(12)
Mower - 42" Side Discharge	14025	(5)	(5)	X	X
	50042S	X	X	(4)	(4)
	50042R	X	X	(4)	(4)
	51042S	(5)	(5)	X	X
	51042R	(5)	(5)	X	X
48" Side Discharge	14026	(5)	(5)	X	X
	50048S	X	X	(4)	(4)
	51048S	(5)	(5)	X	X
48" Rear Discharge	14030	(5)	(5)	X	X
	50048R	X	X	(4)	(4)
	51048R	(5)	(5)	X	X
60" Side Discharge	14061		X	(7)	(7)
	50060S		X	(7)	(7)
	51060S		(6)	X	X

Footnotes: Page 73

5000/5100 SERIES TRACTOR ATTACHMENT INTERCHANGEABILITY* (CONT'D)

Description	Model	1700	1900	GT1700	GT1800
		5017G 5017H 1800 5018H	5019H 2000 5020H	5117H GT2000 5120H	5118H 5118HS
Mower Gauge Wheel Kit (Casters f/60")	51950	X	X	X	X
Mower Gauge Wheel Handle Kit (used w/PowerPacker Plus) (F/50042S & 51042S-01 Mowers)	51942	X	X	X	X
(F/50048S & 51048S-01 Mowers)	51948	X	X	X	X
Power Steering Kit	51961			STD	(13)
Push Arm (f/Blade or Snowthrower)	14067	X	X	(16)	(16)
	14089			(17)	(17)
	50965	X	X	(10)	(10)
	51965	X	X	X	X
Snowthrower - 42" Single Stage (Req. Push Arm)	14062	X	X	X	X
	50142	X	X	X	X
46" Two Stage (Req. Push Arm)	14063	X	X	(18)	(18)
(Req. Snowthrower Mounting Kit)	50146	X	X	X	X
Snowthrower Mounting Kit (F/50146 Snowthrowers)	50962	X	X		
	51963			X	X
Storage Cover	50914	X	X	X	X
String Trimmer - 12 Volt	6888	X	X	X	X
	30904	X	X	X	X
Tiller - 33" Rotary	14065	(9)	(9)	X	X
	50333	X	X	(8)	(8)
	51333	(9)	(9)	X	X
Tiller Tine Ext. Kit	18617	X	X	X	X
Tire Chains (1721585) (f/23x10.50-12)	16219	X	X	X	X
Tire Kit - Ag (23x10.50-12)	16662	X	X	X	X
Vac Attachment - Peco (Req. 18029 Wheel Weight)	50966	X	X		
Weight Carrier (Req. 5 ea. 1319 Weights)	14073	X	X	X	X
	51951	X	X	X	X
Weight - 35 lbs. (ea) (F/weight carrier)	1319	X	X	X	X
Wheel Weights - 50 lbs. (ea) Rear Cast Iron	14090	X	X	X	X
	16167	X	X	X	X
	30902	X	X	X	X
50 lbs. (ea) Front Cast Iron	14091	X	X	X	X
	18029	X	X	X	X
	18030	X	X	X	X
	18031	X	X	X	X
	18032	X	X	X	X

*NOTE: Check Accessory or Sales Price List for availability.

X - Will fit without changes.

- 1 - Not for 5017G.
- 2 - 5117H only - diesel.
- 3 - 5017G only.
- 4 - Shorten driveshaft .75 inches.
- 5 - Use driveshaft 1744906.
- 6 - Use driveshaft 1748283.
- 7 - Shorten driveshaft 1.25 inches.
- 8 - Use driveshaft 1755221.
- 9 - Use driveshaft 1744925. require
- 10 - Redrill mounting holes 1/2" fwd snowthrower attachment.

- 11 - 50042S, 50048S, 51042S-01 & 51048S-01 require gage wheel handle kit.
- 12 - Includes 4 ply front tires. 5117H-02, 5118HS-01 & 5120H-02 require 51911 axle kit. Does not fit 5118H. Wheel weights & counter weight recommended (51951 & 1319).
- 13 - 5118H only.
- 14 - Order all parts from Original Cab Co. (317) 663-2214.

- 15 - Order all parts from Femco (316) 241-3513.
- 16 - Black push arm f/blades (req. male quick hitch f/ 14063 snowthrower).
- 17 - With male quick hitch.
- 18 - With female quick hitch (req. push arm w/male quick hitch).

7

"Q" SERIES & 1900 SERIES TRACTOR ATTACHMENT INTERCHANGEABILITY*

Description	Model	QS16 1660 -01-02	QT16 1666 -01 thru -04	QT16 1666 -05	QT17 1666 -06	QT17 1666 -07 thru -11	1900 1966
Arm Rest Kit (1734890)	18106			X	X	X	X
Blade - 54" Mech. Angle (Req. Push Arm)	19220	X	X	X	X	X	X
Blade Angling Kit	19222	X	X	X	X	X	X
Cab - Soft Side (Original Cab Co.) (3)	19709-01 19709-02 50930	X X	X (1) X	X X X	X X X	X X X	X X X
Cruise Control Kit (1738849)	19226	X	X	X	X	X	X
Dual Wheel Kit (1735556)	19205	(2)	(2)	(2)	(2)	(2)	(2)
Dump Cart - 7.5 cu. ft.	16466	X	X	X	X	X	X
10.0 cu. ft.	16465	X	X	X	X	X	X
Hitch - 3 Point (Category "O") (Req. Lift Kit)	19200	X	X	X	X	X	
Hour Meter Kit (1734857)	18096	X					
Hub Caps - Chrome (1714144)	16999	X	X	X	X	X	X
Lift Kit (f/Hitch & Tiller)	19245	X	X	X	X	X	X
Light Kit Marker (1739640)	19214	X	X	X			
Mower - 48" Side Discharge	19210	O	O	O	X	X	X
48" Rear Discharge	19211	X	X	X	O	O	O
54" Side Discharge	19209 19212	X X	X X	X X	X O	X O	X O
Oil Cooler Kit - Hydro (1735150)	19201			X	X	X	X
PTO Kit - Rear (2000 RPM)	19246	X	X	X	X	X	X
Push Arm (f/Blade & Snowthrower)	19250	X	X	X	X	X	X
Snowthrower - 42" Sgl. Stg. (Req. Push Arm)	19240	X	X	X	X	X	X
46" 2 Stg. (Req. Push Arm & Mounting Kit)	50146	X	X	X	X	X	X
Snowthrower Ext. Kit (1719704) (f/19240)	18043	X	X	X	X	X	X
Snowthrower Mounting Kit (f/50146)	50962	X	X	X	X	X	X
Storage Cover	30914	X	X	X	X	X	X
String Trimmer - 12 Volt	6888 30904	X X	X X	X X	X X	X X	X X
Tiller - 33" Rotary (Req. Lift Kit)	19230	X	X	X	X	X	X
Tiller Extension Kit - 8"	18617	X	X	X	X	X	X
Tire Chains (1721585) (f/23x10.50-12)	16219	X	X	X	X	X	X
Wheel Weights (pr) 70 lbs. Front Cast Iron	18029	X	X	X	X	X	X
	18031	X	X	X	X	X	X
	18032	X	X	X	X	X	X
100 lbs. (pr) Rear Plastic	16168	X	X	X	X	X	X
50 lbs. (ea) Rear Cast Iron	16167 30902	X X	X X	X X	X X	X X	X X

*NOTE: Attachments are no longer available.

O - Original equipment.

X - Will fit without changes.

1 - Will not fit 1666-01.

2 - Not recommended with a mower.

3 - Order all parts from Original Cab Co. (317) 663-2214.

7

LARGE FRAME (CHANNEL) TRACTOR ATTACHMENT INTERCHANGEABILITY *

Description	Model	1250	1455	1476	1477	1886	1886	HT18	HT20	HT20D	HT23
		197 -01 thru -03	198 -01 -02	1476 -01	1477 -01	1886 -01 thru -03	1886 -04	1886S -05 -06	2086 -01 2087 -02-03 -04	2289 -01 -02	2389 -01 -02 2389S -01-03
Air Cleaner - Heavy Duty	18021	X	X	X	X						
Arm Rest Kit (1734890)	18106								(12)	X	X
Blade - 54" Mech. Angle	18054	X	X	X	X	(5)	(5)	(5)	(5)	(5)	(5)
54" Hydr. Angle	18085					X	X	X	X	X	X
Blade Lock Up Kit (1736718)	18113	X	X	X	X	X	X	X	X	X	X
Cab - Soft Side (Original Cab Co.) (21)	18035	X	X	X	X	X	X				
	18036	X	X	X	X	X	X				
	18037							X	X	X	X
	18038		X	X	X	X	X	X	X	X	
Cold Start Kit	18120									X	
Cruise Control Kit (1741505)	18155							X	X	X	(19)
Dual Wheel Kit (1735556)	18020	X	X	X	X	X	X	X	X	X	X
	19205					(15)	(15)	(15)	(15)	(15)	(15)
	19619	X	X	X	X	X	X	X	X	X	X
Dump Cart - 7.5 cu. ft. 10.0 cu. ft.	16466	X	X	X	X	X	X	X	X	X	X
	16465	X	X	X	X	X	X	X	X	X	X
Hand Speed Control	18099							X	X		
Hitch - 3 Point (Category "O")	18010	X	X	X	X	X	X				
	18086							X	X	X	X
Hour Meter Kit (1725273)	18096							X	X	X	X
Hydro Cooler Kit (1727270) (1740003)	18087							X	X		
	18111									X	(19)
Mower - 48" Side Discharge 54" Side Discharge	18048	O	X	X	X						
	18049-01-03	X	O	O	O						
	18049-04/07	(1)	(1)	(1)	(1)	X	X	X	O	X	X
	18070					O	O	O	X	X	X
	18071					X	X	O	X	X	X
	18110					X	X	X	O	O	O
Mower Hitch - 3 Gang Reel	16442	X	X	X	X	X	X	X	X	X	X
	16443	X	X	X	X	X	X	X	X	X	X
Mower Kit (F/18070 Mower)	18079					X	X	X	X	X	X
PTO Kit-Rear (2000 RPM) (540 RPM) (540 & 1000 RPM)	18082						X	X	X	X	X
	18094							X	X	X	X
	18095	(8)	(8)	(8)	(8)	(2)	(2)				
	18906	X	X	X	X						
Power Steering Kit	18030					(3)					
	18088							X	X		
	18089					X	X				
	18112									X	(19)
	18114									X	(19)
Push Arm (f/2 Stage Snowthrower)	18151					X	X	X	X	X	X
ROPS	18144					X	X	X	X	X	X
Seat - Deluxe	18098							X	(13)		
Seat Belts (f/18144 ROPS)	1359									X	X
Snowthrower - 42" Single Stage 48" Two Stage (Req. Push Arm)	18042	X	X	X	X						
	18044	X	X	X	X						
	18100	(10)	(10)	(10)	(10)	(14)	(14)	(14)	(14)	(14)	(14)
	18103	(10)	(10)	(10)	(10)	X	X	X	X	X	X
	1948					X	X	X	X	X	X
51" Two Stage (Req. Mounting Kit)	1949					X	X	X	X	X	X
	18148					X	X	X	X	X	X
	17451										(20)

7

Footnotes: Page 76

LARGE FRAME (CHANNEL) TRACTOR ATTACHMENT INTERCHANGEABILITY* (CONT'D)

Description	Model	1250	1455	1476	1477	1886	1886	HT18	HT20	HT20D	HT23
		197 -01 thru -03	198 -01 -02	1476 -01	1477 -01	1886 -01 thru -03	1886 -04	1886S -05 -06	2086 -01 2087 -02-03 -04	2289 -01 -02	2389 -01 -02 2389S -01-03
Snowthrower Ext. Kit (1719407) (f/18042, 18044, 18100, 18103)	18043	X	X	X	X	X	X	X	X	X	X
Snowthrower Mount Kit (f/18100) (f/ 17451)	18101 18102 19235	X	X	X	X	X	X	X	X	X	X
String Trimmer - 12 Volt	6888 30904	X X	X X	X X	X X	X X	X X	X X	X X	X X	X X
Tiller - 25" Rotary 33" Rotary	18025 18090 18093	X (8) (11)	X (8) (11)	X (8) (11)	X (8) (11)	(2) (2) (9)	(2) (2) (9)	(4) (4) X	(4) (4) X	(4) (4) X	(4) (4) X
Tiller Driveshaft (1722630) (1722650)	18091 18092	X X	X X	X X	X X	X X	X X				
Tiller Ext. Kit - 8"	18617	X	X	X	X	X	X	X	X	X	X
Tiller Lock Up Kit (1736719) (F/18093)	18116							X	X	X	X
Tire Chains (F/27x8.50x15) (1718284) (F/26x12x12)	19613 19614	X X	X X	X X	X X	X X	X X	X X	X X	X X	X X
Wheel & Tire Assy. (Front)	18011 18024 18028 18029	X	X X	X X	X X (3)	X X X	X X X	X X X	X X X	X X X	X X X
Wheel Weights 70lbs. (pr) Front Cast Iron	18012 18031 18032	X	X	X	X	(6) X	X X	X X	(7) X	X X	X X
35 lbs. (ea) Front Cast Iron	21741	X	X	X	X	(16)	X	X	X	X	X
50 lbs. (ea) Rear Cast Iron	16167 19617 30902	X X X	X X X	X X X	X X X	X X X	X X X	X X X	X X X	X X X	X X X

*NOTE: Attachments are no longer available

X - Will fit without changes

O - Original Equipment

1 - Req. 1722727-1722728 rods & cut driveshaft 1" shorter.

2 - Req. 1722650 driveshaft.

3 - 1886-02 & 03 only.

4 - Req. 1724727 L.H. arm, 14 - Req. two 1722631 push rods & 1724725 R.H. arm, & 1724734 driveshaft (50-5/16" long).

5 - Req. two 1722631 push rods.

6 - 1886-03 only.

7 - 2086-01 & 2087-03-04 only.

8 - Req. 1722630 driveshaft.

9 - Req. 1718301 R.H. arm, 17118304 L.H. arm, & one 1722650 driveshaft (49-3/4" long).

10 - Req. two 1719096 push rods & one 1719345 rod crank handle.

11 - Req. 1718301 R.H. arm, & 1718304 L.H. arm, & 1722630 driveshaft (47-1/4" long).

12 - 2087-03 & 04 only.

13 - 2087-01, 02 & 03 only.

14 - Req. two 1722631 push rods & one 1722626 rod.

15 - Not recommended with a mower.

16 - 1886-01 only.

17 - Fits 2389-02 with 1742157 adapter, 1742156 drag link & ball joint 1724656 R.H.

18 - Not required on 2389S models.

19 - Standard on 2389S models.

20 - Requires 19235 Mount Kit.

21 - Order all parts from Original Cab Co. (317) 663-2214.

15 & 17 H.P. TX 2 CYLINDER DIESEL TRACTOR ATTACHMENT INTERCHANGEABILITY*
MODELS (G152) TX1300, (G154) TX1300F, (G172) TX1500, AND (G174) TX1500F

Description	Model	Remarks	
Air Cleaner	1353	Heavy duty - For red decal tractors	
Backhoe	61/2'	1380	Req. 1370 or 1517 and bucket - Brantly Mfg. (1)
	61/2'	17385	Req. 17387 or 1517 and bucket
Blade	48"	1405	Hyd. angled - Order parts from Arps Corp.
	48"	1385	Hyd. angled - Rr ballast recommended - (1)
	54"	1354	Hyd. angled - Req. 1326-02 and 1341
	48"	1400	Hyd. angled - Order parts from Arps Corp.
	54"	19220	Mech. angled - Req. 1326 and 1327
Bucket	8"	18129	For model 1380 Brantly Mfg. (1)
	13"	18130	For model 1380 Brantly Mfg. (1)
	16"	18131	For model 1380 Brantly Mfg. (1)
	10"	17381	For model 17385
	12"	17382	For model 17385
	16"	17383	For model 17385
	40"	18139	For model 1370 loader
	48"	18142	For model 1370 loader
	38"	18210	For model 1517 loader
48"	18211	For model 1517 loader	
Bucket Material	18158	For 18156 loader	
Cab	19705	Soft side - (2)	
Canopy	1361	For model 1360 ROP	
Engine Block Heater	1352	400W (PN1862224)	
Hitch, Trailer	1350		
Hitch	17387	For 17385	
Hour Meter Kit	1345		
Lift Kits	1326	Hyd. lift - Use with 1330	
	1326-02	Hyd. lift - Use with 1948, 1354 or 1330	
Loaders	1370	Front end - Rr. ballast recommended - req. bucket (1)	
	1517	Front end - Req. bucket (4)	
	18156	Req. bucket - (3) KMW model K80	
Mowers	42"	1342	Center mount - 2000 PTO speed - req. model 1308
	48"	1349	Center mount - 2000 PTO speed - req. model 1308 Refer to Product Bulletin D-6
	48"	1348	Finishing mower - 752 PTO speed - req. 1319
	48"	1343	Flail mower - 752 PTO speed - req. 1319, 1328 & 1329
Mulcher/Chipper	MC3540	PTO driven & 3 point hitch	
Overrunning Clutch	1329	Req. 1328 (5)	
O.C. Adapter	1328	PTO adapter for model 1329	
PTO Kit	1308	For models 1330, 1342 and 1349	
Push Arm	1327	For 1330	
	1341	For 1330, 1354 and 1948	
	1367	For 1354	
Rollover Protection	1360	Req. model 1359 seat belts	
Seat Belts	1359	For 1360	
Snowthrower	1330	42" Single stage - 2000 PTO speed - req. 1308, 1326 and 1327 or 1341	
	1948	48" Two stage - Not recommended - 2000 PTO Speed - req. 1308, 1326 and 1341 - Rr. ballast req.	
Tillers	42"	1302	472-752 PTO speeds
	48"	1305	472-752 PTO speeds
	42"	17393	Side shift
	50"	17394	Side shift - model 1500F only
Tires	1356	Ag kit - 4WD only - Frt., 5.00x12 - Rr., 8-16	
	1357	Farm kit - 2WD only - Frt. 20x8.00 - Rr., 8-16	
	1362	Turf kit - 2WD only - Frt., 20x8.00 - Rr., 8-16	
	1363	Turf kit - 4WD only - Frt., 6x12 - Rr., 8-16	
	1364	Wide front turf kit - 22x7.50 - 12-pair	

15 & 17 H.P. TX 2 CYLINDER DIESEL TRACTOR ATTACHMENT INTERCHANGEABILITY*
MODELS (G152) TX1300, (G154) TX1300F, (G172) TX1500, AND (G174) TX1500F (CONT'D)

Description	Model	Remarks
Tires (Cont'd)	1365	Wide rear turf kit - 29 - 12x15 - Pair
	1366	Turf kit - 4WD only - Frt., 22x7.5x12 - Rr., 29x12.00x15
	17000	Ag -Front - Pair - 12 ribbed - 2WD only
	17004	Turf - Front - Pair - 20x8.00x10 - 2WD only
	17005	Turf - Rear - 29x12.00x15 - Pair
	17008	Ag - Rear - (8x16) - Pair
	17024	Turf - Front - Pair - 20x8.00x18 - 4WD only
	17308	Ag -Front - 5.00x12 - 4WD only
Tire Chains	16052	Rear - For 8x16 Turf tires - Pair
	16056	Front - For 6x12 and 5x12 Turf - Pair
	16059	Rear - For 29x12.00x15 wide Turf - Pair
	16060	Front - For 5x12 Ag - Pair
	16061	Rear - For 8x16 Ag - Pair
	16062	Front - For 22x7.50x12 Turf - Pair
	16065	Front - For 5x12 and 6x12 Turf - Pair
Tire Spacer	1332	Rear Ag
Vacuum	17358	Purchase from Peco (1-800-438-5823)
Weights	1319	Front bumper - 33# - use 4 weights
	18051	Rear kit - Pair - Turf only

NOTE: Attachments are no longer available.

See "Misc. Diesel Part Numbers" section of this book for additional information.

- | | |
|--|---|
| 1 - For parts contact Airquip (414) 898-4291 | 4 - Req. 1 - 1862088 Manifold, 4 - 1185773 O-Rings, |
| 2 - Order all parts from Original Cab Co. (317) 663-2214 | 2 - 1862078 Manifold fittings |
| 3 - Order all parts from KMW Mfg. (416) 871-3526 | (Add 1 to 2 hrs. labor to modify mounting) |
| | 5 - Hub City Power Transmission Products |
| | (800-482-2489). |

Filters (Tractors w/Red Decals)

Oil.....	1874139
Fuel	1875659
Air (No Fins)	1871493
Hydraulic (Screen)	1871794
Model 1353 (H.D. Air Cleaner) ..	1721457

Filters (Tractors w/Green Decals)

Oil.....	1874139
Fuel	1876440
Air (Fins).....	1872002
Hydraulic (Screen).....	1871794

Battery.....	1873992
Ign. Key.....	1871433

15 & 17 H.P. TX 3 CYLINDER DIESEL TRACTOR ATTACHMENT INTERCHANGEABILITY*
MODELS (G152) TX1502, (G154) TX1504, (G174) TX1704, (H152) TX1502H & (H174) TX1704H

Description	Model	Remarks
Adapter Kit	17373	f/Models 1948/1949 - req. 1308 & 17369
Backhoe 61/2'	1380	Req. 1517 and bucket - minor rework req'd - Brantly Mfg. (1)
	17385	Req. 17387 with 1517 and Bucket - PTO driven pump
Blade 54"	1354	Hyd. angled - req. 17367 and 17369 or 1341 w/o PTO
	17378	Hyd. angled - Req. 17367
Bucket 8"	18129	For model 1380 - Brantly Mfg. (1)
	18130	For model 1380 - Brantly Mfg. (1)
	18131	For model 1380 - Brantly Mfg. (1)
	17381	For model 17385
	17382	For model 17385
	17383	For model 17385
	18210	For model 1517
	18211	For model 1517
Cab	17705	Soft side - Order parts from Original Cab Co. (2). Compatible with ROPS. Used on Gear models.
	17707	Soft side - Order parts from Original Cab Co. (2). Compatible with ROPS. Used on Hydro models.

Footnotes: Page 79

15 & 17 H.P. TX 3 CYLINDER DIESEL TRACTOR ATTACHMENT INTERCHANGEABILITY*
MODELS (G152) TX1502, (G154) TX1504, (G174) TX1704,
(H152) TX1502H & (H174) TX1704H (CONT'D)

Description	Model	Remarks
Cab (Cont'd)	19705	Soft side - Order parts from Original Cab Co. (2). Not compatible with ROPS. Used on Gear models.
	19707	Soft side - Order parts from Original Cab Co. (2). Not compatible with ROPS. Used on Hydro models.
Engine Block Heater	1358	400W (Install element @ 6 o'clock position)
Hitch, Rigid	17387	For 17385
Lift Kit	17367	Hydraulic - For 17377, 17378 and 1354
Loader	1517	Front - Req. bucket
Loader Adapter Kit	17356	For 1517 - Req'd with 1517-01, 02 only for Hydro models
Loader Mounting Kit	17353	For 1517 - Refer to Product Bulletin 84
Mount Kit	17455	Front mount - For 17451
	17475	Rear mount - For 17451
Mowers	48" 1343	Rear flail - 752 PTO speed - Req. 1319
	48" 1348	Rear finishing - 752 PTO speed - Req. 1319
	48" 17350	Centermount - Req. 1308
Mulcher/Chipper	MC3540	PTO driven & 3 point hitch
PTO	B-1308	Front - 2000 PTO speed
Push Arm	17369	For model 1354, 1330 - See Product Bulletin D8
Rollover Protection	17368	Incl. seat belts
	17408	Incl. seat belts
Snowthrower	48" 1948	(Not recommended) - 2000 PTO speed - Two stage - Req. rear ballast - Req. 1308, 17369 and 17367
	42" 17377	Single stage - Req. 17367 & 1308 - Refer to Product Bulletin D8
	51" 17451	Two stage (3)
Tiller	42" 1302	454-724 PTO speeds
	48" 1305	454-724 PTO speeds
	42" 17393	Side shift
	50" 17394	Side shift - 1704 and 1704H only
Tires	1356	Ag kit - 4WD only - Frt., 5.00x12 - Rr., 8x16
	1362	Turf kit - 2WD only - Frt., 20x8.00 - Rr., 8x16
	1357	Farm kit - 2WD only - Frt., 4.00x12 - Rr., 8x16
	1363	Turf kit - 4WD only - Frt., 6x12 - Rr., 8x16
	17000	Ag - Front - Pair - 4.00x12 - 2WD only
	17004	Turf - Front - Pair - 20x8.00x10 - 2WD only
	17005	Turf - Rear - Pair - 29x12x15
	17008	Ag - Rear - Pair - 8x16
	17024	Turf - Front - Pair - 20x8.00x18 - 4WD only
	17308	Ag - Front - Pair - 5.00x12 - 4WD only
	17314	Ag - Front - Pair - 4.00x12 - 2WD only
Tire Chains	16052	Rear - For 8x16 Turf - Pair
	16059	Rear - For 29x12.00x15 wide Turf - Pair
	16060	Front - For 5x12 Ag - Pair
	16061	Rear - For 8x16 Ag - Pair
	16062	Front - For 22x7.50x12 - Pair
	16065	Front - For 5x12 and 6x12 Turf - Pair
Tire Spacers	1332	Dual spacers for rear Ag
Vacuum	17358	Purchase from Peco (1-800-438-5823)
Weights	1319	Front bumper - 33# - Use 4 weights
	18051	Rear kit - Pair - Turf tires only
	17520	Rear kit - Pair - Ag tires only

2 - Order all parts from Original Cab Co. (317) 898-4291.

3 - Requires 1308, 17367 & 17455 f/front mount.

Requires 17475 f/rear mount.

Battery1873992

Ign. Key1871433

*NOTE: Check Accessory or Sales Price List for availability.

Filters

Oil1874139

Fuel1876440

Air1872002

Hydraulic (Screen) (Gear Models).....1874043

Hydro (Screen) (Hydro Models)1864731

HST (Spin On) (Hydro Models)1864599

HST (Screen) (Hydro Models).....1864586

Hydraulic Manifold

1 - 1863343Manifold

3 - 1721631O-Ring

3 - 1860220Screw

19 & 24 H.P. TS 2 CYLINDER DIESEL TRACTOR ATTACHMENT INTERCHANGEABILITY*
MODELS (G192) TS1910, (G194) TS1910F, (G242) TS2420 AND (G244) TS2420F

Description	Model	Remarks
Backhoe 6-1/2' 8'	17385	Req. 17405 hitch and bucket - Refer to Service Bulletin D-12
	1980	Req. 1970 or 1924 - Req. rework with 1924 See Product Bulletin D-4. Requires Bucket.
6-1/2'	17380	Refer to Product Bulletin 85
	1985	Hyd. Angled - (1). Brantly model 246
Blade 66" 60"	1956	Hyd. Angled - Req. model 1940 or 17375 and 17376
	1971	For model 1970 - Brantly Mfg. (1)
Bucket 48" 60" 13" 16" 10" 12" 16" 8" 60" 48"	1972	For model 1970 - Brantly Mfg. (1)
	1981	For model 1980 - Brantly Mfg. (1)
	1982	For model 1980 - Brantly Mfg. (1)
	17381	For models 17380 and 17385
	17382	For models 17380 and 17385
	17383	For models 17380 and 17385
	18122	For model 1980 - Brantly Mfg. (1)
	18930	For model 1924
	18931	For model 1924
	Cab - Soft Side Hard	19706
Allied		Order from Laurin Inc. 514-689-1962
Canopy	1961	For model 1960
Clutch, Overrunning	1329	External (6)
Engine Block Heater	1358	400W (Install element @ 6 o'clock position)
Front Lift	1940	Hydraulic w/push arms - Use w/1948 & 1956
	17375	Hydraulic w/undercarriage - Use w/17376 & 1956
Hitch Kit, 3-Point	17386	For model 17385 - Refer to Product Bulletin 85
	17405	For model 17385
	13970	Front end - Req. rear ballast and bucket - Brantly Mfg. (1)
	18157	Front end - Req. rear ballast and bucket (2) KMW model K90
Hydraulic Kit, Ext.	1923	For model 1924 - Rear ballast recommended - Refer to Product Bulletin D-4
Loader	1924	Front end - Req. ballast and bucket - Great Bend Refer to Product Bulletin D-4
	1970	Front end - Req. rear ballast and bucket - Brantly Mfg. (1)
	18157	Front end - Req. rear ballast and bucket (2) KMW model K90
Mowers 60" 54" 59"	1344	Rear flail - Req. 1329 - 1000 PTO speed - Front bumper weights req.
	1954	Center mount - 2WD only - 2000 PTO speed - Req. 1309
	1959	Rear finishing - 540 PTO speed - Req. model 1319 frt. wts.
	MC3540	PTO driven & 3 point hitch
Push Arms	17376	Use with 17375 and 1956
PTO Kit	1309	Front - 2000 RPM Speed
Rollover Protection	1960	Req. model 1359 Seat Belts
Seat Belts	1359	Use with model 1960
Snowthrower 48" 48" 51" 63"	1948	Two stage - 2000 RPM speed - Req. 1309 & 1940 - Req. rear ballast
	1949	Two stage - 2000 RPM speed - Req. 1309 & 1940 - Req. rear ballast
	17451	Two stage (4)(5)
	17463	Two stage (4)(5)
Snowthrower Chute Kit	17471	Chute & manual rotation kit - f/17451 & 17463
	17472	Hydro chute & 2 spool valve - f/17451 & 17463
Tiller 50" 51"	17394	Side shift
	1307	540 PTO speed
Tires	1930	Rear Turf - Pair - 4WD models - Req. 1931 - 13.6x16
	1931	Front Turf - Pair - 4WD only - Req. 1930 - 25x7.5x15
	1957	Ag Tire - 2WD only - 4 Tires - 4.00x12 frt./8.5x24 rear
	1958	Ag Tire - 4WD only - 4 Tires - 6.00x14 frt./8.3x24 rear
	1962	Turf tire - 2WD only - 4 Tires - 20.0x8.00x10 frt/13.6x16 rear
	17004	Front Turf - Pair - 20x8.00x10 - 2WD only
	17011	Front Ag - Pair - 6x14 - 4WD only
	17012	Rear Ag - Pair 8.3x24 - Incl. Disc

Footnotes: Page 81

19 & 24 H.P. TS 2 CYLINDER DIESEL TRACTOR ATTACHMENT INTERCHANGEABILITY*
MODELS (G192) TS1910, (G194) TS1910F, (G242) TS2420 AND (G244) TS2420F (CONT'D)

Description	Model	Remarks
Tires (Cont'd)	17013	Rear Ag - Pair - 9.5x24 - Incl. Disc
	17022	Rear Turf - Pair - 13.6x16
	17023	Frnt. Turf - Pair - 25x7.5x15 - 4WD only - Replaces 1931
	17314	Front Ag - Pair - 4.00x12 - 1902/1910 only
Tire Chains	16053	Rear - Pair - For 13.6x16 Turf
	16054	Rear - Pair - For 8x24 and 9.5x24 Ag
	16057	Front - Pair - For 25x7.50x15 Turf - 4WD only
	16058	Front - Pair - For 6x14 Ag - 4WD only
Tire Clamp	1932	Dual clamps - Rear
Weights	1319	33# (each) - Use 7 per tractor
	18051	Pair - Does not fit 13.6x16 Turf tires

*NOTE: Attachments are no longer available.

- 1 - For parts contact Airquip (405) 898-4291.
- 2 - Order all parts from KMW Mfg. (416) 871-3526.
- 3 - Order all parts from Original Cab Co. (317) 663-2214.
- 4 - Req. 17475 rear mount kit.
- 5 - Req. snowthrower chute kit 17471 or 17472.
- 6 - Hub City Power Transmission Products (800-482-2489).
- Battery1873703
- Ign. Key1871433

- Filters
- Oil1726450
 - Fuel1862499
 - Air1871991
 - Hydraulic1862834

- Hydraulic Manifold
- 1 - 1863134 Manifold
 - 3 - 1721631 O-Ring
 - 3 - 1863154 Screw

See "Misc. Diesel Part Numbers" section of this book for additional information.

21 H.P. DIESEL TRACTOR ATTACHMENT INTERCHANGEABILITY*
MODELS (G212) 2102, (G214) 2104

Description	Model	Remarks
Backhoe 6-1/2'	17385	Req. 17389, 17395 and bucket
Blade 60"	17560	Complete with hyd. & push arm
Bucket	10"	For 17385
	12"	For 17385
	16"	For 17385
	48"	For 17395
	60"	For 17395
Cab - Hard	Allied	Order from Laurin Inc. (514) 689-1962
Engine Block Heater	1358	400W Install Element @ 9 o'clock position
Hitch - Backhoe	17389	Required with 17385
Loader	17395	Requires bucket, rear ballast
Mount Kit	17481	Front mount - for 17451 & 17463
	17475	Rear mount - for 17451 & 17463
Mower 60"	1959	Front weights model 1319 recommended
	60"	17660
Mower Gauge Wheel Kit	51950	Caster Wheels
Mulcher/Chipper	MC3540	PTO Driver & 3 Point Hitch
PTO	17530	Front mount for 17660, 1948 & 1949
Push Arm & Hyd.	17548	Required for 1948 & 1949
Rollover Protection	17409	Incl. seat belts
Snowthrower	48"	1948, 1949
	51"	17451
	63"	17463

Footnotes: Page 82

21 H.P. DIESEL TRACTOR ATTACHMENT INTERCHANGEABILITY*
MODELS (G212) 2102, (G214) 2104 (CONT'D)

Description	Model	Remarks
Snowthrower Chute Kit	17471	Chute & manual rotating kit - f/17451 & 17463
	17472	Hydro. chute & 2 spool valve - f/17451 & 17463
Tiller 50"	17394	Side shift
Tires	17004	Front Turf - Pair - 20x8.00x10 - 2WD only
	17314	2WD - Front Ag - 4.00x12 - Ribbed
	17431	4WD - Front Ag - 6.00x12 - Lugged
	17434	2WD - Front Turf - 20x8.00x10
	17435	4WD - Front Turf - 24x8.50x12
	17436	Rear Turf - 13.6x16
Tire Chains	16053	For 17436 Turf tires
	16063	For 12.4x16 Ag tires
Weights - Front Rear	1319	33# (each) - Use 5 weights
	17520	130# - Pair - 3 sets maximum
Wheel Spacers	17522	For Turf tires

*NOTE: Check Accessory or Sales Price List for availability.

1 - Requires 17481 f/front mount.

Requires 17475 f/rear mount.

2 - Requires snowthrower chute kit 17471 or 17472.

Hydraulic Manifold
 1 - 1863475 Manifold
 3 - 1860220 Screw
 3 - 1177509 O-Ring

Filters
 Oil1874196
 *Fuel1862499
1871183
 Air1874282
 Hydraulic...1874664

Misc.
 Battery1873992
 Ign. Key1870948
 *1862499 - Approx. 2-5/8x1-3/8
 1871183 - Approx. 3-1/2x1-7/8

27 H.P. DIESEL TRACTOR ATTACHMENT INTERCHANGEABILITY*
MODELS (G272) 2702, (G274) 2704

Description	Model	Remarks
Backhoe 6-1/2'	17385	Req. 17386 hitch and bucket Or 17405 hitch - Refer to Service Bulletin D12
Blade 60"	17460	Incl. Hydraulic lift & push arms
Bucket	17381	For 17385
	17382	For 17385
	17383	For 17385
	17397	For 17411
Cab - Hard	Allied	Order from Laurin Inc. (514) 689-1962
Engine Block Heater	1358	400W (Install element @ 9 o'clock position)
Hitch - Backhoe	17386	For 17385
Hitch - Rigid	17405	Ref: Service Bulletin D12
Loader	17411	Incl. 60" bucket - Req. rear ballast - Product Bulletin 86
	17611	Incl. 60" bucket - Req. rear ballast - mounts w/CM mower
Mower	1959	Rear finishing - Frt. weights model 1319 recommended - 540 RPM PTO
	1344	Rear flail - 540 RPM PTO
Mulcher/Chipper	MC3540	PTO driven & 3 point hitch
PTO Kit	17530	Front mounted
Rollover Protection	17410	Incl. seat belts
Snowthrower	17451	Two stage (1)(2)
	17463	Two stage (1)(2)

Footnotes: Page 83

27 H.P. DIESEL TRACTOR ATTACHMENT INTERCHANGEABILITY*
MODELS (G272) 2702, (G274) 2704 (CONT'D)

Description	Model	Remarks
Snowthrower Chute Kit	17471	Chute & manual rotation kit f/17451 & 17463
	17472	Hyd. chute and 2 spool valve f/17451 & 17463
Snowthrower Mount Kit	17482	Front mount kit f/17451 & 17463
	17475	Rear mount kit f/17451 & 17463
Tiller 50"	17394	Side shift
Tires	17420	Ag - 5.00x15 - Front - Pair - 2WD
	17421	Ag - 7x16 - Front - Pair - 4WD - Req. 17422
	17422	Ag - 11.2x24 - Rear - Pair - Incl. disc
	17315	Turf - 24x8.5x12 - Front - Pair - 2WD
	17316	Turf - 212/80Dx15 - Front - Pair - 4WD
	17317	Turf - 355/80Dx20 - Rear - Pair
Tire Chains	16064	For 17317 Turf tires
	16065	For 17422 Ag tires
Weight - Front Rear Rear	1319	33# (each) - Use 6 weights
	17413	200# - Pair - Add 17414 for added weight
	17414	200# - Pair - Req. 17413 - Will not fit Turf tires
Wheel Spacers	17522	For Turf tires

*NOTE: Check accessory or Sales Price List for availability.

- 1 - Requires 17482 f/front mount.
Requires 17475 f/rear mount.
- 2 - Requires snowthrower chute kit 17471 or 17472.

Hydraulic Manifold

- 1 - 1864246 Manifold
- 3 - 1860220 Screw
- 3 - 1177509 O-Ring

Filters

- Oil1726450
- *Fuel1862499
-1871183
- Air1870322
- Hydraulic...1870823

Misc.

- Battery1873703
- Ign. Key1870948
- *1862499 - Approx. 2-5/8x1-3/8
- 1871183 - Approx. 3-1/2x1-7/8

See "Misc. Diesel Part Numbers" section of this book for additional information.

29 H.P. DIESEL TRACTOR ATTACHMENT INTERCHANGEABILITY*
MODELS (G292) TS2902, (G294) TS2904

Description	Model	Remarks
Backhoe 6-1/2' 6-1/2'	17380	Ref. to Product Bulletin 85 - Req. bucket
	17385	Req. 17386 - Refer to Product Bulletin 85 - Req. bucket Or 17405 - Refer to Service Bulletin D12
Bucket 10" 12" 16"	17381	For 17380 and 17385
	17382	For 17380 and 17385
	17383	For 17380 and 17385
Cab - Hard	Allied	Order from Laurin Inc. (514) 689-1962
Canopy	17371	For 17370 ROPS
Engine Block Heater	1358	400W (Install element @ 6 o'clock position)
Hitch Kit, 3-Point	17386	Refer to Product Bulletin 85 - For 17385
Hydraulic Lift Kit	17355	Rear - Remote
Loader	Allied	Schwartz, model 9-2918 or KMW model K-90*
Mowers 60" 59"	1344	Rear flail - 1000 PTO speed - Req. 1319 weights
	1959	Rear finishing - 540 PTO speed - Req. 1319 weights
Mulcher/Chipper	MC3540	PTO driven - 3 Point hitch
Rollover Protection	17370	Includes Seat Belts
Snowthrower 63"	17463	Two Stage (1)(2)

Footnotes: Page 84

29 H.P. DIESEL TRACTOR ATTACHMENT INTERCHANGEABILITY* (CONT'D)
MODELS (G292) TS2902, (G294) TS2904

Description	Model	Remarks
Snowthrower Chute Kit	17471	Chute & manual rotation kit f/17463
	17472	Hydraulic chute & 2 spool valve f/17463
Tires	17014	Front Ag - Pair - 5.00x15 - 2WD only
	17015	Front Turf - Pair - 25x7.50x15 - 2WD only
	17016	Front Ag - Pair - 6x16 - 4WD only
	17017	Front Turf - Pair - 8.5Lx14 - 4WD only
	17019	Rear Ag - Pair - 12.4x24
	17020	Rear Turf - Pair - 21.5x6.1
Weights	17313	Front Ag - Pair - 6.00x16 - 4WD only
	1319	Front bumper - 33# (each) - 7 weights recommended
	18051	Rear wheel weight - Pair - Will not fit 17020

*NOTE: Attachments are no longer available.
 1 - Requires 17451 f/front mount.
 2 - Requires snowthrower chute kit 17471 or 17472.

Hydraulic Manifold
 1 - 1863831 Manifold
 4 - 1860220 Screw
 4 - 1721631 O-Ring

Filters
 Oil1726450
 Fuel.....1872176
 Air1872249
 Hydraulic...1873042

Misc.
 Battery1873233
 Ign. Key1871433

*Schwartz Mfg. (612) 395-2541 Minneapolis, MN
 KMW Mfg. (416) 871-3526 Fort Erie, Ontario
 See "Misc. Diesel Part Numbers" section of this book for additional information.

BELT DIAGRAMS AND BELT NUMBERS
LOCATE MOWER MODEL AND CHECK DIAGRAM CALLOUT FOR BELT INSTALLATION
BOLENS & TROY-BILT

MODEL	SIZE	DIA-GRAM	MOWER V-BELT	DRIVE V-BELT	BLADE NUMBER	MODEL	SIZE	DIA-GRAM	MOWER V-BELT	DRIVE V-BELT	BLADE NUMBER
1342	42"	M	1860810		1871356	18336	48"	N	1736903	Note 3	B
1349	48"	G	1724943		A	18338	48"	Q	1737187	Note 2	Note 4
1954	54"	M	1725502		1725522	18415	38"	K	1724148		1714727
10038S	38"	C	1820209		Note 5	18416	38"	K	1724148		1714727
14000	42"	P	1760959	1760958	A or B	18417	38"	K	1724148		1714727
14001	48"	P	1760960	1760958	A or B	18418	38"	K	1724148		1714727
14002	42"	P	1760959	1761188	B	18420	42"	I	1185651		1717251
14003	36"	R	1746823		Note 6	18421	42"	I	1185651		1721299
14023	42"	J	1728133	Note 2	C or D	18422	42"	I	1185651		1721299
14024	48"	J	1736903	Note 3	C or D	18423	42"	I	1185651		1721299
14025	42"	G	1746823		C or D	18440	32"	E	1713853		1715971
14026	48"	K	1750842		C or D	18441	32"	L	1716307		1715289
14030	48"	K	1750842		1765548	18442	32"	L	1716307		1715289
14031	42"	N	1728133	Note 2	1765542	18445	32"	E	1713853		1713692
14043	42"	T	1728133	1743876	C & D	18446	38"	L	1714799		1714727
14049	38"	H	1765211	1765212	1765217	18449	38"	L	1714799		1714727
14051	42"	P	1760959	1760958	C or D	18457	42"	I	1185651		1716764
14052	48"	P	1760960	1760958	C or D	19101	28"	F	1715213		1715216
14054	42"	P	1760959	1760958	C or D	19102	32"	F	1724148		1715289
14055	48"	P	1760960	1760958	C or D	19107	28"	F	1715213		1715216
14056	42"	P	1760959	1761188	1765542	19108	32"	K	1714799		1715289
14060	42"	P	1760959	1761188	1765542	19209	48"	O	1724943		B
14061	60"	U	1748274		1738742	19210	48"	G	1724943		B
14094	38"	H	1765211	1765212	1765217	19211	48"	G	1724943		B
15100	28"	A	1722344	Note 8	1715216	19212	54"	M	1725502		1725522
15101	32"	B	1724148	1721967	1715289	19303	32"	K	1714799		1715289
15114	38"	B	1716557	1737574	1714727	19307	38"	K	1716557		1714727
15115	42"	B	1736903	1737459	A	19342	42"	I	1185651		1717251
15530	30"	W		1741135	1735670	20042S	42"	P	1736903	1744493	A
15536	36"	X		1736930	1747640	30036S	36"	R	1746823		Note 6
15550	40"	S	1813223	Note 1	1813169	31036S/R	36"	R	1746823		Note 6
15570	42"	T	1728133	1743876	A	30042S	42"	D	1764007		A or B
17350	48"	G	1724943 (7)		1738571	32042S/R	42"	D	1764007		A or B
17660	60"	V	1749458		1738742	30042R	42"	D	1764009		B
18001	32"	K	1714799		1715289	30048S	48"	D	1764008		A or B
18006	32"	K	1714799		1715289	50042R	42"	G	1746823		B
18007	38"	K	1716557		1714727	51042S	42"	G	1746823		A or B
18048	48"	I	1718653		1718638	51042R	42"	G	1746823		B
18049	48"	I	1718653 (9)		B	50048R	48"	O	1724943 (7)		B
18070	54"	M	1718653		1722883	51048R	48"	K	1750842		B
18071	54"	M	1726723		1722883	50048S/R	48"	G	1724943 (7)		A or B
18110	54"	M	1725502		1725522	51048S	48"	K	1750842		A or B
18300	42"	J	1728133	Note 2	A or B	50060S	60"	U	1748274		1738742
18301/R	48"	J	1736903	Note 3	A or B	51060S/R	60"	U	1748274		1738742
18335	42"	N	1728133	Note 2	B						

Note: 1 - 1752128 was set 1745369.

2 - Tecumseh & 11HP B & S Engine 1726701.

- B & S Twin 1741576.

3 - W/Tecumseh Engine 1739080.

1750842(K).

- W/B & S Engine 1741577.

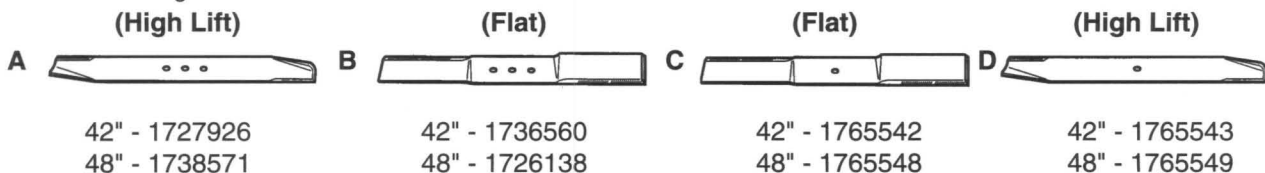
5 - W/O Grass Catcher 1820196. With Grass Catcher 1820507.

6 - W/O Back/Power Packer 1747640.

- With Back/Power Packer 1748302 L.H. 1748303 R.H.

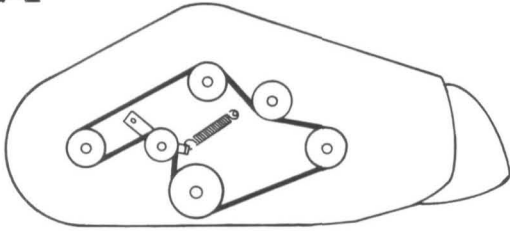
7 - 50048R-03,-04, 50048S-03,-04, 17350-04. Use belt

8 - 15100-01 use 1721995. 15100-02 use 1723056.



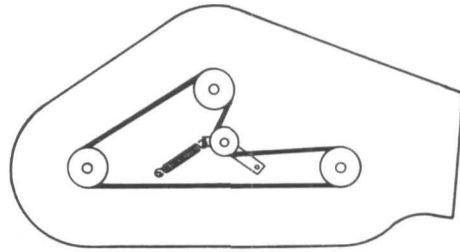
BELT DIAGRAMS (CONT'D)

A



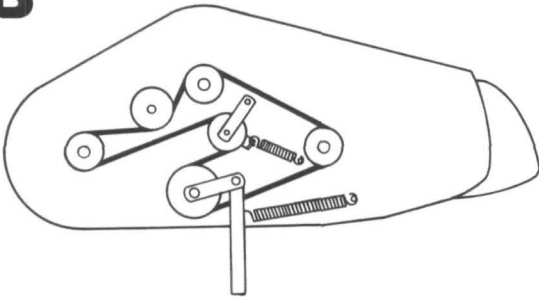
MODEL 15100

E



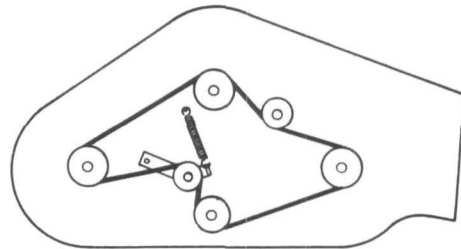
MODELS 18440 & 18445

B



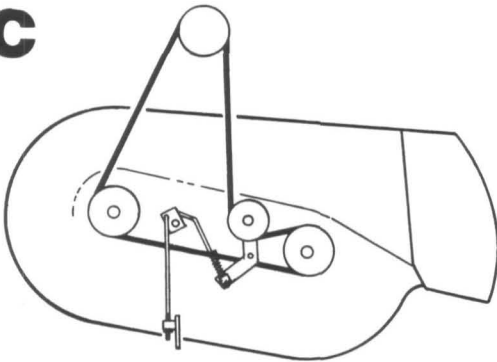
MODELS 15101, 15114 & 15115

F



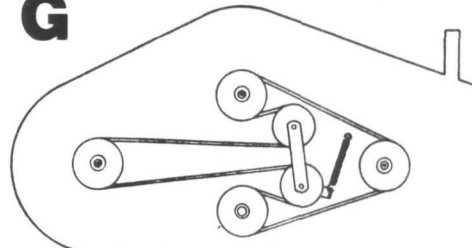
MODELS 19101, 19102 & 19107

C



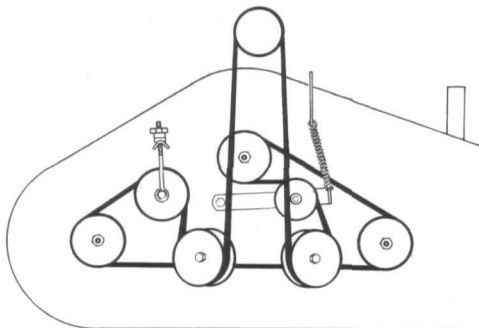
MODEL 10038S

G



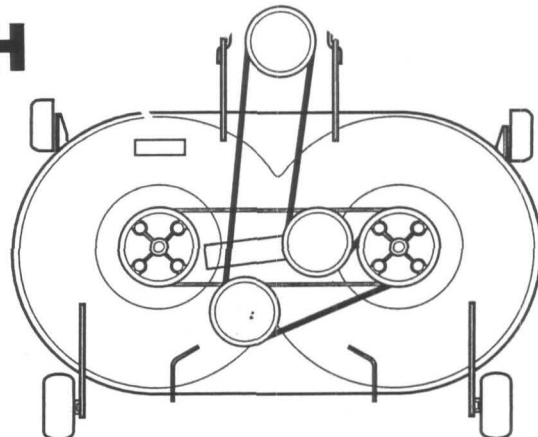
MODELS	1349	50042R	
	14025	50042S	51042R
	17350-01/03	50048R-01-02	51042S
	19210	50048S-01-02	
	19211		

D



MODEL 30042S/R, 30042R, 30048S & 32042S

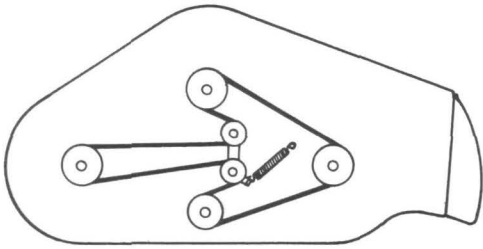
H



MODEL 14049 & 14094

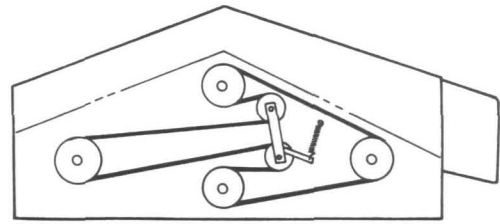
BELT DIAGRAMS (CONT'D)

I



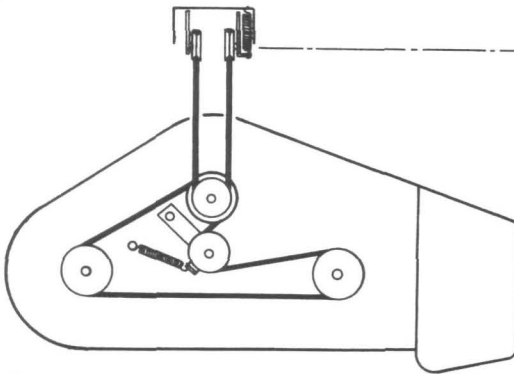
MODELS 18048 18421 18457 19342
 18049 18422
 18420 18423

M



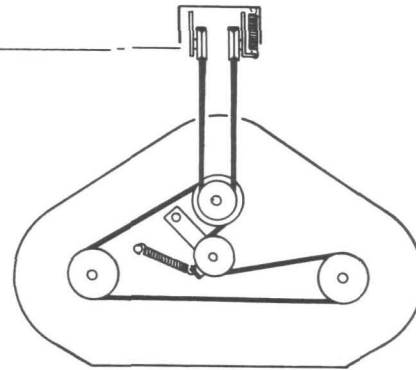
MODELS 1342 18070
 1954 18071
 18110 19212

J



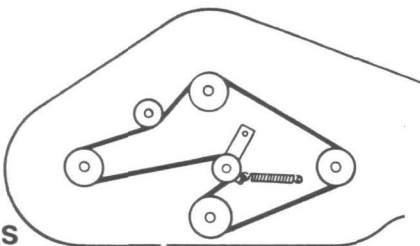
MODELS 14023 14024
 18300 18301

N



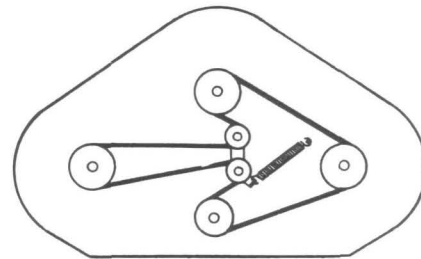
MODELS 14031 18335 18336

K



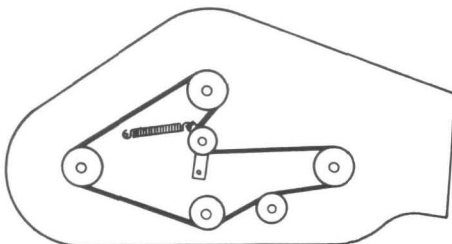
MODELS
 14026 18006 18416 19108 50048R-03 51048S
 14030 18007 18117 19303 50048S-03 17350-04
 18001 18415 18418 19307 51048R

O



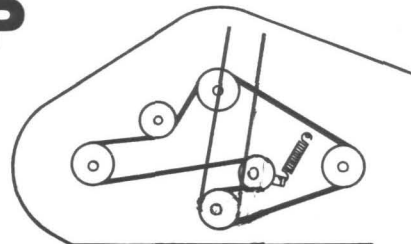
MODELS 19209, 50048R

L



MODELS 18441 18446
 18442 18449

P

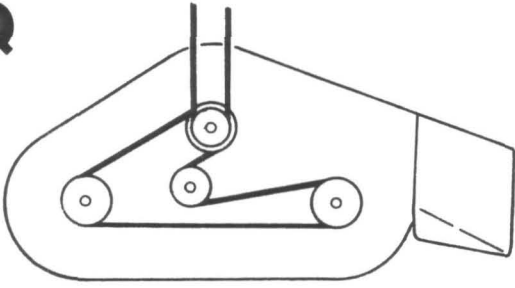


MODEL 14000 14051 14055 20042S
 14001 14052 14056
 14002 14054 14060

7

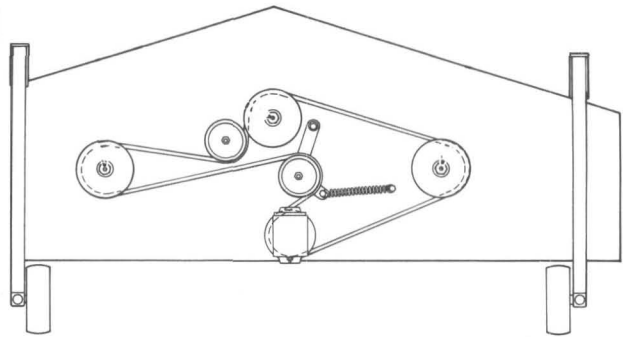
BELT DIAGRAMS (CONT'D)

Q



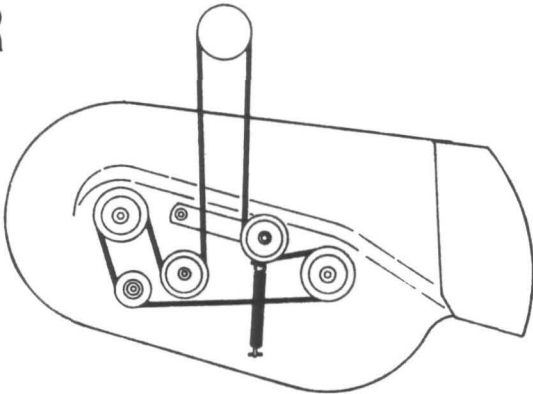
MODEL 18338

U



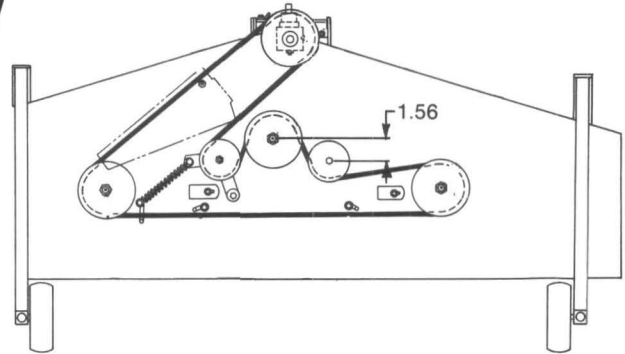
MODEL 50060 & 51060

R



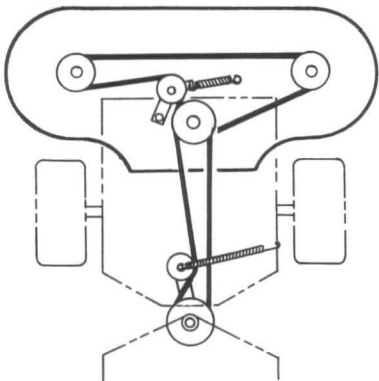
MODEL 14003, 30036S & 31036S

V



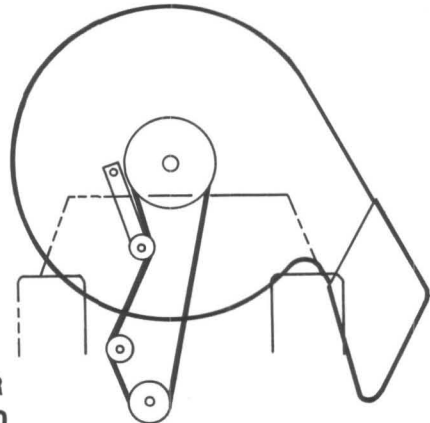
MODEL 17660

S



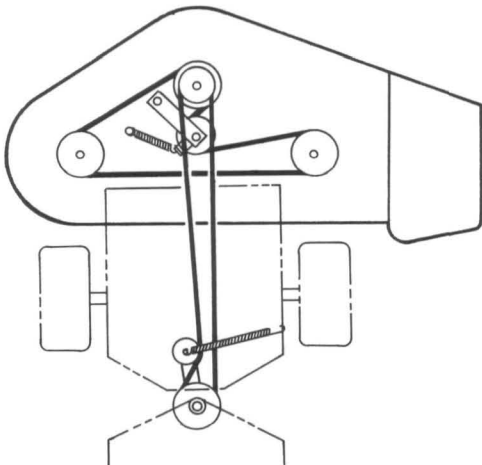
FRAME STEER MODEL 15550

W



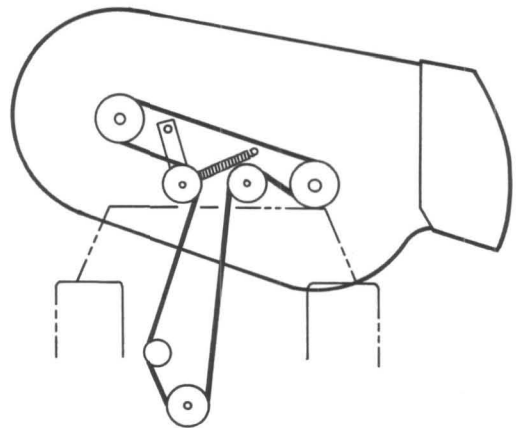
**REAR STEER
MODEL 15530**

T



FRAME STEER MODEL 14043 & 15570

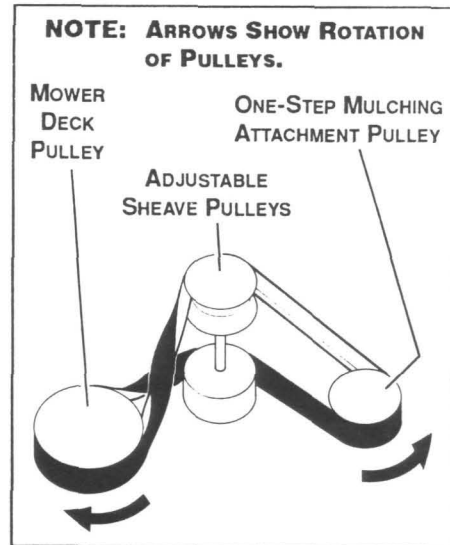
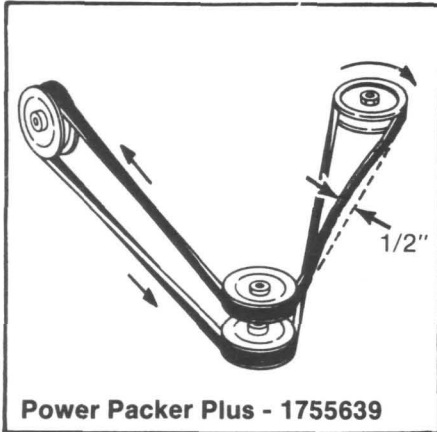
X



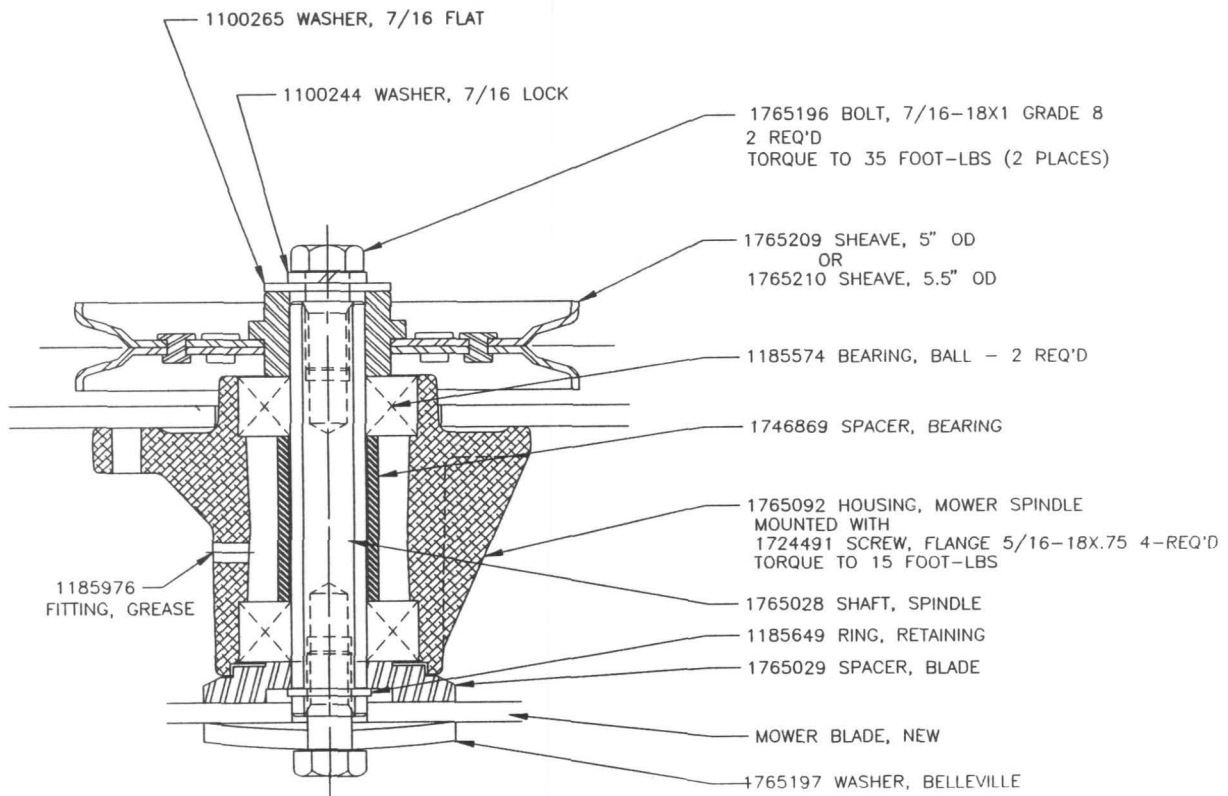
REAR STEER MODEL 15536

7

BELT DIAGRAM (CONT'D)



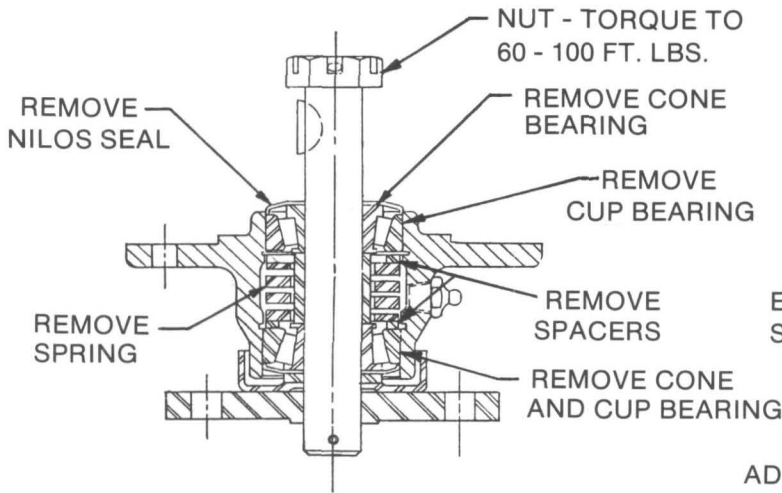
MOWER SPINDLE ASSEMBLIES BOLENS & TROY-BILT MODELS 14023, 14024, 14025, 14026, 14030, 14031, 14043, 14049, 14051, 14052, 14054, 14055, 14060 & 14094



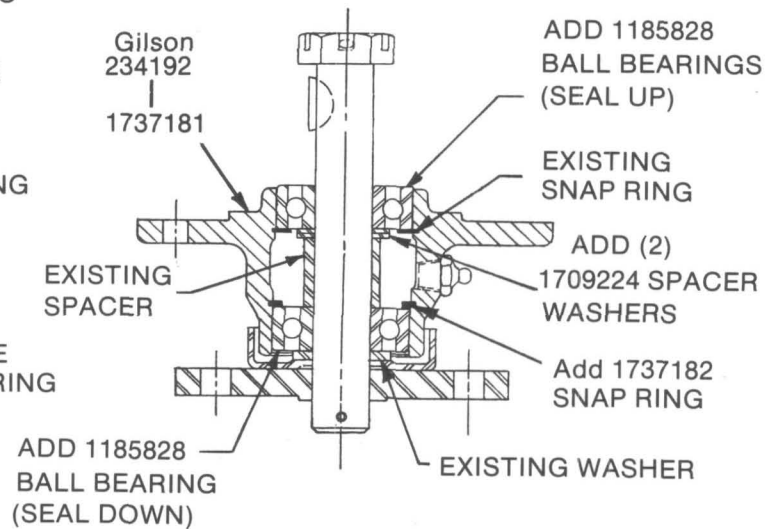
7

MOWER SPINDLE ASSEMBLIES (CONT'D)

MODEL 18338 (CONE BEARING DESIGN)

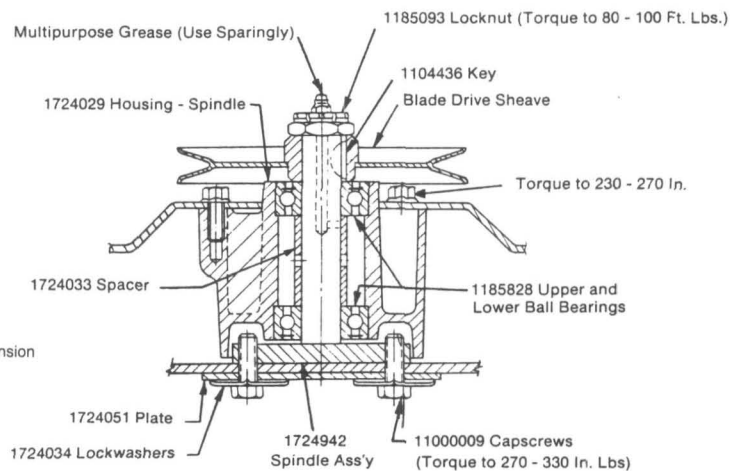
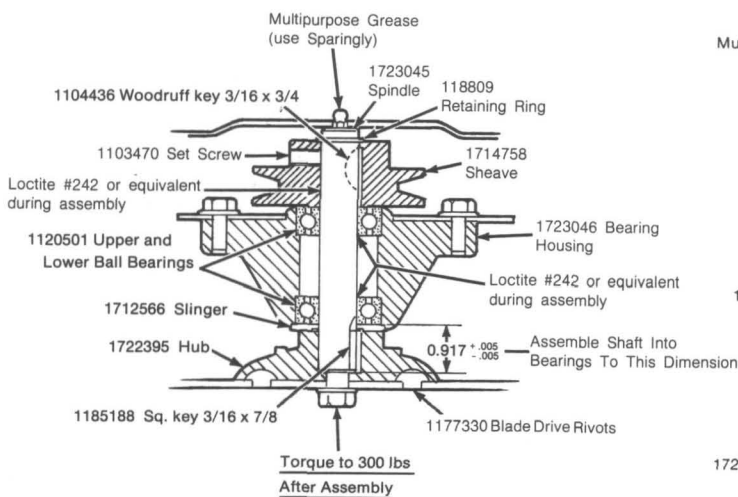


MODEL 18338 (ROLLER BEARING DESIGN)



MODELS 18449, 18415, 18416, 18417 & 18418

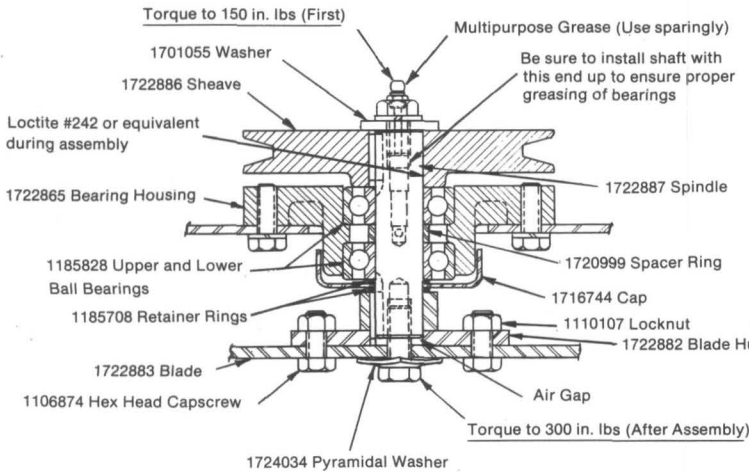
MODELS 1134, 1349, 1954, 14000, 14001, 14002, 15115, 18049-04 & UP, 18110, 18300, 18301, 18335, 18336, 19209, 19210, 19211, 19212, 17350, 20042, 30042S, 32042S, 30048S, 50042S, 50048R, 50048S, 51042S/R, 51048R & 51048S/R



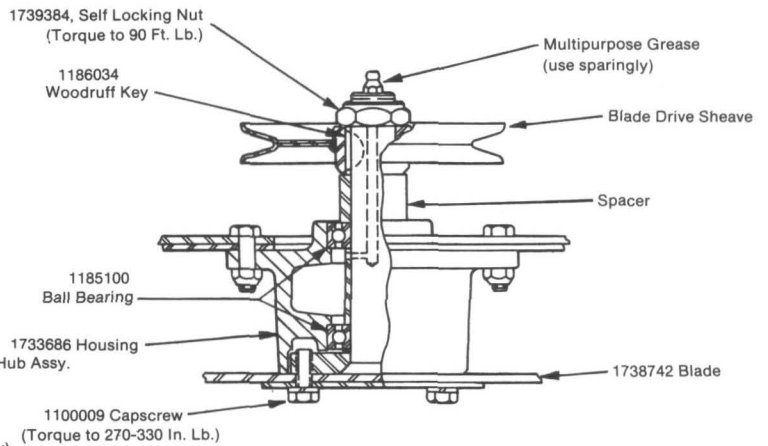
7

MOWER SPINDLE ASSEMBLIES (CONT'D)

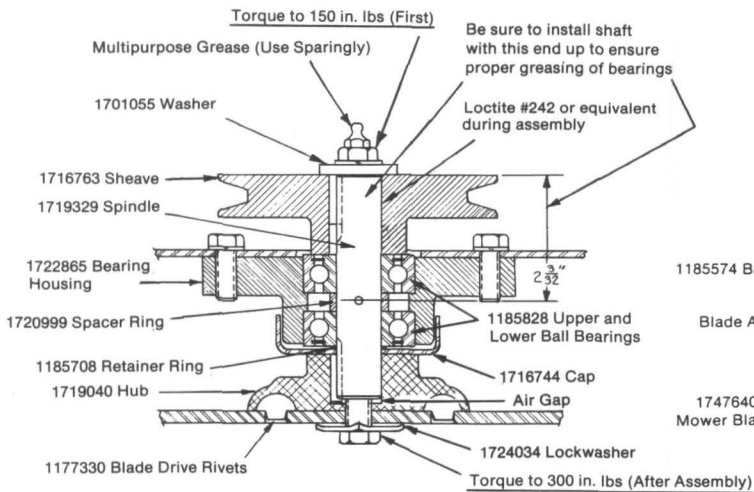
MODELS 18070 & 18071



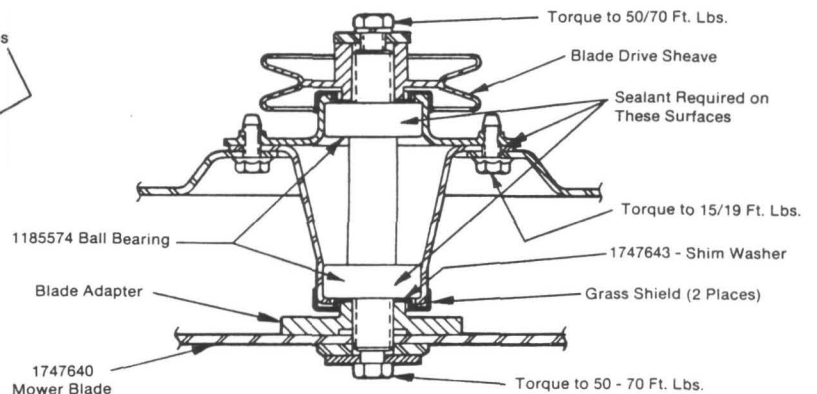
MODELS 17660, 50060 & 51060/R



MODELS 18048, 18049-01 thru 03, 18420, 18421, 18422, 18423 & 18457



MODELS 14003, 30036 & 31036/R



ASSEMBLY INSTRUCTIONS FOR ABOVE SPINDLE

1. Spread thin film of Loctite #242 on shaft and on one side of flat washer #1701055.
2. Assemble spindle as illustrated making sure grease hole is 2 - 3/32" from sheave end and wetted side of flat washer is against sheave. Finger tighten blade bolt and torque sheave bolt to 150 in. lbs.
3. Once sheave bolt is torqued then the blade bolt is torqued to 300 in. lbs. Grease spindle.

NOTE: The air gap between the hub #1719040 and the end of the shaft is important.

SERVICE ASSEMBLY PART NO. 1741825 FOR ABOVE SPINDLE

- Consists of:
- (1) 1722865 Housing
 - (2) 1185828 Bearing
 - (1) 1720999 Spacer

BELT INFORMATION
BOLENS & TROY-BILT
CROSS SECTION INFORMATION

CONVENTIONAL	FLAT	CONVENTIONAL	LIGHT DUTY	FLAT	AGRICULTURAL	HEX	AGRICULTURAL	FLAT / COG
A	AA	B	C	CC	HA	HAA	HB	HTD (side section)

RIB	LIGHT DUTY	LIGHT DUTY	NARROW	LIGHT DUTY	LIGHT DUTY	AUTOMOTIVE	AUTOMOTIVE	AUTOMOTIVE
J	2L	3L	3V	4L	5L			

CROSS SECTION A

EFFECTIVE LENGTH (Inches)	cm	PER SET	PART NUMBER	TYPE
20	51	1	1705061	2
30.562	78	1	1716161	2
35.086	89	1	1705034	2
36	91	1	1711844	2
39	99	1	1711916	2
44.25	112	1	1745059	1
48	122	1	1714286	2
51.281	130	1	1731719	2
56.25	143	1	1820548	2
56.08	142	1	1763169	4
57	145	1	1816002	2
69.75	177	1	1820283	2
74.88	190	1	1724148	2
84.75	215	1	1820209	2
86.5	220	1	1820549	2
96.3	245	1	1747938	2
101.5	258	1	1820400	2
114	290	1	1185651	2
142	361	1	1820623	2
160.5	408	1	1764007	1
167	424	1	1754694	2

CROSS SECTION A (MOD)

EFFECTIVE LENGTH (Inches)	cm	PER SET	PART NUMBER	TYPE
77	102	1	1755639	1

CROSS SECTION AA

EFFECTIVE LENGTH (Inches)	cm	PER SET	PART NUMBER	TYPE
20.40	50	1	97075	3
29.37	75	1	97133	1

CROSS SECTION B

EFFECTIVE LENGTH (Inches)	cm	PER SET	PART NUMBER	TYPE
36.12	92	1	1712912	4
40	102	1	1706462	2
42	107	1	1706383	2

1 - Raw Edge (cut)

2 - Wrapped

3 - Flat

4 - Cog

BELT INFORMATION (CONT'D)
BOLENS & TROY-BILT

CROSS SECTION C (Rib)

CROSS SECTION CC

EFFECTIVE LENGTH		PER SET	PART NUMBER	TYPE
(Inches)	cm			
78.75	64	1	1761480	3

EFFECTIVE LENGTH		PER SET	PART NUMBER	TYPE
(Inches)	cm			
26	189	1	908537	1

CROSS SECTION HA

EFFECTIVE LENGTH		PER SET	PART NUMBER	TYPE
(Inches)	cm			
21.87	56	1	9200	2
22.14	56	1	9245	1
23.62	60	1	9201	2
25	64	1	1983443	1
27.50	70	1	1983445	1
28.937	73	1	1820715	2
31.312	80	1	1820284	2
34.75	88	1	1745047	2
35.125	89	2	1724729	2
35.25	90	1	1813590	2
36.187	92	1	1813761	2
36.25	92	2	1736279	2
37	94	1	1813220	2
37.7	96	3	1746868	1
37.70	96	1	1762636	2
38	97	1	1742385	1
38.18	97	2	1752751	2
39.51	100	1	97042	1
38.31	97	1	1742385	1
40.50	103	1	1749710	2
40.531	103	1	1742628	1
41	104	1	1983443	1
42.69	107	1	1741578	1
44.3	113	1	1747232	2
44.75	114	3	1863848	1
45.78	116	1	97043	1
46.5	118	1	1820812	2
48.4	123	1	1742629	2
49.10	125	1	1738015	2
54.1	137	1	1737574	2
54.1	137	1	1745371	2
55.236	140	1	1745368	2
57.30	146	1	T236321	2
59.09	150	1	1737459	2
60	152	1	1761188	2
62	157	1	1760958	2
63.625	162	1	1761224	1
67.25	171	1	1764906	2
68.3	173	1	1744493	2
69.25	176	1	1737347	2
69.25	176	1	1761281	1

EFFECTIVE LENGTH		PER SET	PART NUMBER	TYPE
(Inches)	cm			
71.25	181	1	1732726	2
77	196	1	1726701	1
77.24	196	1	1765211	1
78.86	200	1	1739080	1
81.38	207	1	1741576	1
83.25	211	1	1741577	1
84	213	1	1764112	1
84.88	216	1	1756725	2
88.25	224	1	1765339	1
90.3	229	1	1743519	2
91.92	233	1	1751597	2
92	234	1	1728133	2
94.10	239	1	1765349	2
95.50	243	1	1741568	2
96.875	246	1	1747188	2
98.1	249	1	1743876	2
99.10	252	1	1765300	2
100.75	256	1	1736903	2
101	257	1	1820101	2
101	257	1	1764120	1
101.50	258	1	1760959	2
102	259	1	1765362	2
102.53	260	1	1763200	2
105.12	267	1	1746823	2
105.12	267	1	1754702	2
105.12	267	1	1767127	spec
106	269	1	1753081	2
107.5	273	1	1754778	2
109.55	278	1	1760960	2
114	290	1	1185651	2
118.59	301	1	1750842	2
127.12	323	1	1748274	2
135	343	1	1726723	2
137.125	348	1	1724943	2
141	358	1	1747725	2
146	371	1	1725502	2
156	396	1	1764009	1
159.5	405	1	1764007	1
166	422	1	1764008	1

1 - Raw Edge (cut)

2 - Wrapped

3 - Flat

4 - Cog

BELT INFORMATION (CONT'D)
BOLENS & TROY-BILT

CROSS SECTION HA

EFFECTIVE LENGTH (Inches)	cm	PER SET	PART NUMBER	TYPE
56.60	144	1	1908749	2

CROSS SECTION HB

EFFECTIVE LENGTH (Inches)	cm	PER SET	PART NUMBER	TYPE
41.25	105	1	1813667	2
45	114	1	1860820	2
46.72	118	1	1729716	2
55	140	1	1813764	2
64	163	1	1812039	2
72	183	1	1812204	2
73.75	187	1	1812101	2
78.75	200	1	1825094	2
158.85	403	1	1749458	2
158.80	403	1	1864454	2

CROSS SECTION O

EFFECTIVE LENGTH (Inches)	cm	PER SET	PART NUMBER	TYPE
27.25	69	1	1820970	2
32	81	1	1739943	1
33	84	1	1745518	auto
37	94	1	1731579	2

CROSS SECTION 3V

EFFECTIVE LENGTH (Inches)	cm	PER SET	PART NUMBER	TYPE
25	64	1	1715611	2
31.5	80	1	1715612	2
32.44	83	2	1713533	auto
67	170	1	1752128	1
71.437	181	1	1813223	2

CROSS SECTION AUTO

EFFECTIVE LENGTH (Inches)	cm	PER SET	PART NUMBER	TYPE
23	58	2	1714513	2
27.6	70	2	1715614	1
31.97	81	1	1714690	1
32	81	1	1739943	4
33	83	1	1745518	4
35.94	91	1	1720938	1
40.38	103	1	1723661	1
52.59	134	1	1715212	1 & 4

CROSS SECTION J (Rib)

EFFECTIVE LENGTH (Inches)	cm	PER SET	PART NUMBER	TYPE
21.81	56	1	1717124	3
33	83	1	1737898	3
34.50	88	1	1737899	3

CROSS SECTION 2L

EFFECTIVE LENGTH (Inches)	cm	PER SET	PART NUMBER	TYPE
33.5	85	1	1744706	1

CROSS SECTION 3L (MOD)

EFFECTIVE LENGTH (Inches)	cm	PER SET	PART NUMBER	TYPE
43	109	1	1732171	1

CROSS SECTION 3L

EFFECTIVE LENGTH (Inches)	cm	PER SET	PART NUMBER	TYPE
21	53	1	50028	1
22.20	56	1	9022	1
24	61	1	1764111	2
27.65	70	1	50134	1
30.25	77	1	1712719	2
30.25	77	1	1715621	2
31	79	1	1751601	1
31	79	1	1716036	2
33.38	88	1	1753373	1
33.88	86	2	1746376	1
34.69	88	1	1735996	1
35.26	90	1	1746379	1
35.37	90	1	1720938	1
35.50	90	1	T239661	2
36	91	1	1752194	1
36.25	91	1	1765595	1
41.06	104	1	1723661	1
42	107	1	1755565	1
43	109	2	1722171	1

CROSS SECTION SPECIAL

EFFECTIVE LENGTH (Inches)	cm	PER SET	PART NUMBER	TYPE
46	117	1	1820811	2
63.5	161	1	1719731	1
Dbl.	249	1	1813221	2

8

1 - Raw Edge (cut)

2 - Wrapped

3 - Flat

4 - Cog

BELT INFORMATION (CONT'D)

BOLENS & TROY-BILT

CROSS SECTION 4L

EFFECTIVE LENGTH		PER SET	PART NUMBER	TYPE
(Inches)	cm			
21.70	55	2	TH1128	1
23.75	60	1	55037	1
23.80	60	1	20565	1
24.93	63	1	50161	1
27.79	71	1	1817025	2
30	76	1	1714785	2
30	77	2	1720573	2
31	79	1	1732582	2
31.5	80	1	1714690	1 & 4
32	81	3	1719203	2
33	84	1	1714115	2
33	84	1	1720726	2
33	84	1	1800367	2
34	86	1	1725253	2
34	86	2	1736259	2
34.25	87	1	1725253	2
34.25	87	3	1722639	2
35	88	1	1733770	2
35.125	89	2	1733152	2
35.125	89	2	1724729	2
35.125	89	1	1733439	2
35.625	90	1	1711844	2
35.75	90	1	1767142	2
36	91	1	1766808	2
37.125	94	2	1725407	1
37.3	95	1	1746868	2
37.5	95	1	1739944	1
37.5	95	2	1739945	1
38	97	1	1739944	1
38	97	2	1739945	2
41	104	1	1719783	1
42.5	107	2	1716570	2
43	109	1	1725603	2
43	109	1	1732880	1
44	112	1	1720131	2
44.5	113	1	1722993	2
46	117	1	1720727	1
47	119	1	1715942	2
47	119	1	1985772	2
48.5	123	1	1722523	1
51.28	130	1	1731719	2
52	132	1	1721967	1
52	132	1	1764942	2

EFFECTIVE LENGTH		PER SET	PART NUMBER	TYPE
(Inches)	cm			
53	135	1	1764942	1
62	157	1	1722344	1
63.5	161	1	1719731	1
63.62	161	1	1736248	1
64.62	164	1	1738496	2
65	167	1	1722238	2
65	167	1	1738496	2
65.62	167	1	1738511	2
66.62	423	1	1749709	2
67.5	171	1	1724035	1 & 4
68.25	173	1	1763173	2
70.3	179	1	1716307	1
70.69	180	1	1741135	2
74	188	1	1762820	2
75.43	192	1	1724148	2
77	196	1	1755639	1
84	213	1	1764112	1
84	213	1	1756725	2
85	216	1	1716557	2
90.1	229	1	1743519	2
96.3	245	1	1742938	2
105.12	267	1	1754702	2
130	331	1	1718653	2

CROSS SECTION 5L

EFFECTIVE LENGTH		PER SET	PART NUMBER	TYPE
(Inches)	cm			
29	74	1	97133	1
32.25	82	1	1816023	2
34.25	87	1	1720718	1
35	89	1	1816410	1
35	89	1	W5L350	1
35.25	90	1	1722074	1
35.62	90	1	1711844	1
37.70	96	1	1762636	2
43	109	1	1715740	2
44	112	1	1860801	2
44.25	112	1	1722095	2
117	297	1	1860810	2

1 - Raw Edge (cut)

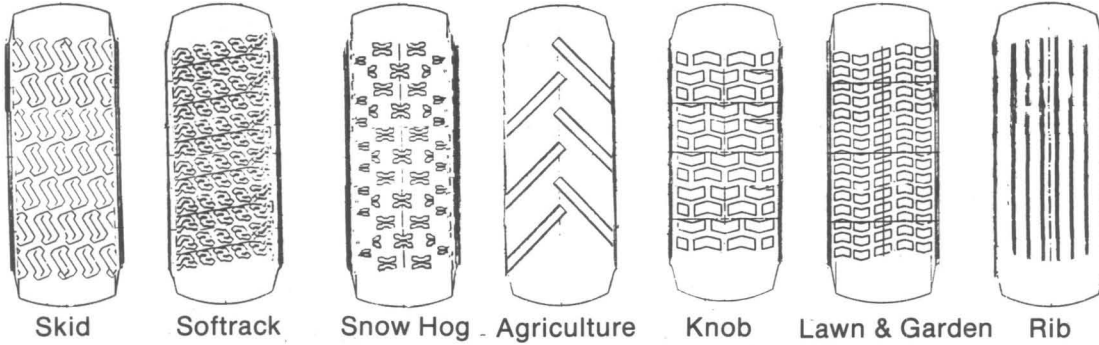
2 - Wrapped

3 - Flat

4 - Cog

The effective length of a V-Belt cannot be accurately measured by using a tape or other straight measuring tool. A special belt measuring device must be used. Effective length is not necessarily the same as outside length.

TIRE, CHAIN AND TUBE PART NUMBERS
BOLENS & TROY-BILT



Tires			Corresponding Chain		Corresponding Tube	
SIZE	PART NUMBER	TREAD STYLE	SIZE	PART NUMBER	SIZE	PART NUMBER
4.10/3.50-4	1755828	Snow Hog	4.10 x 3.50-4	1750823	4.10 x 3.50-4	1724156
4.10/3.50-4	1724157	Knob	4.10 x 3.50-4	1750823	4.10 x 3.50-4	1724156
4.10/3.50-6	1725299	Knob	4.10 x 3.50-6	1756223	N/A	N/A
4.10/3.50-6	1755827	Snow Hog	4.10 x 3.50-6	1756277	N/A	N/A
4.80/4.00-8	1727902	Lawn & Garden	4.80 x 4.00-8	1756278	4.80 x 4.00-8	1724151
4.80/4.00-8	1755826	Snow Hog	4.80 x 4.00-8	1756278	4.80 x 4.00-8	1724151
13 x 5.00-6	1725302	Knob	13 x 5.00-6	1725382	N/A	N/A
13 x 5.00-6	1813758	Lawn & Garden	13 x 5.00-6	1725382	N/A	N/A
13 x 5.00-6	1732469	Softrack	13 x 5.00-6	1725382	N/A	N/A
13 x 6.50-6	1725305	Knob	13 x 6.50-6	1725383	N/A	N/A
15 x 6.00-6	1750354	Skid				
16 x 6.50-8	1755825	Snow Hog	16 x 6.50-8	1756279	16 x 6.50	1735720
16 x 6.50-8	1756840	Lawn & Garden	16 x 6.50-8	1756279	16 x 6.50	1735720
16 x 6.50-8	1732957	Rib	16 x 6.50-8	1756279	16 x 6.50	1735720
16 x 6.50-8	1764745	Softrack	16 x 6.50-8	1756279	16 x 6.50	1735720
16 x 6.50-8	1750353	Skid	16 x 6.50-8	1756279	16 x 6.50	1735720
16 x 6.50-8	1813208	Lawn & Garden	16 x 6.50-8	1756279	16 x 6.50	1735720
16 x 7.50-8	1732467	Softrack	16 x 7.50-8	1723180	16 x 6.50	1735720
16 x 7.50-8	1742388	Lawn & Garden	N/A	N/A	N/A	N/A
18 x 8.50-8	1732925	Softrack	18 x 8.50-8	1738417	16 x 6.50	1735720
18 x 8.50-8	1734851	Rib	18 x 8.50-8	1738417	16 x 6.50	1735720
18 x 9.50-8	1737319	Softrack	18 x 9.50-8	1738418	N/A	N/A
20 x 8.00-8	1762250	Softrack	20 x 8.00-10 (1)	1745130	N/A	N/A
20 x 8.00-10	1720164	Lawn & Garden	20 x 8.00-10	1745130	N/A	N/A
20 x 8.00-10	1742466	Softrack	20 x 8.00-10	1745130	16 x 6.50	1735720
20 x 8.00-10	1750352	Skid	20 x 8.00-10	1745130	N/A	N/A
22 x 7.50-12	1823015	Softrack	22 x 7.50-12	1863382	N/A	N/A
23 x 8.50-12	1716971	Agriculture	N/A	N/A	N/A	N/A
23 x 8.50-12	1727901	Lawn & Garden	23 x 8.50-12	1716190	N/A	N/A
23 x 8.50-12	1733081	Softrack	23 x 8.50-12	1716190	N/A	N/A
23 x 9.50-12	1728656	Lawn & Garden	23 x 10.50-12	1721585	N/A	N/A
23 x 10.50-12	1723199	Agriculture	N/A	N/A	N/A	N/A
23 x 10.50-12	1764747	Softrack	23 x 10.50-12	1721585	N/A	N/A
26 x 12-12	1718298	Agriculture	N/A	N/A	26 x 12.00-12	1734132
26 x 12-12	1732924	Softrack	26 x 12-12	1718284	26 x 12.00-12	1734132
27 x 8.50-15	1718243	Agriculture	N/A	N/A	N/A	N/A
27 x 8.50-15	1717204	Lawn & Garden	N/A	N/A	N/A	N/A

(1) Remove a cross link

N/A - Not available

PEERLESS TRANSMISSIONS AND DIFFERENTIALS
BOLENS & TROY-BILT

-SKU/ Model	Peerless Model	Service No.	SKU/ Model	Peerless Model	Service No.
Chipper/Vac					
All	9000-001/002 9000-003	794543A 794575	1113 (LT11) (01) (02)	673 601-004	794173 None
Snowthrowers			1160 (G11XL) (01) (02) (03) (RH Gearbox)	2341 2346 2350 3345-P91	None 794320 794320 794251
5210/R/RS 42000	700-005 700-005	None None			
Riding Mowers			1261 (G12XL) & 1461 (G14XL) (01) (02) (RH Gearbox)	2346 2350 3488-P91	794320 794320 794251
528/628 (Diff.)	730 100-012	794259 *794258	1463 (1400G) (01 & 02) (03) (RH Gearbox)	2350 2355 3488-P91	794320 794320 794251
728	503	794115	1467 (1402G) (01 & 02) (RH Gearbox)	2350 3488-P91	794320 794251
828/829 (01) (02)	503 521	794115 None	1468 (1402G) (01) (RH Gearbox)	2350 3488-P91	794320 794251
830/831	730	794259	1661 (G16XL) (01) (02 & 03) (RH Gearbox)	2355 2344 3488-P91	794320 794251 794251
05 thru 09 (Diff.)	100-012	*794258	1662 (G16XT) (RH Gearbox)	2350 3488-P91	794320 794251
1130/1134/1136 (Diff.)	730 100-012	794259 *794258	1667 (1600G) (01 & 02) (03 & 04) (RH Gearbox)	2350 2355 3488-P91	794320 794320 794251
2027/2028/2030/2036/2136	730 & 730A	794259	2016G (G16YT)	801-006	794309A
13000/13001/13003/13005	700-053		3010G (ST110)	920-011A	794455
Frame/Rear Steer			3011G (ST110) (01) (02 & 03)	801-018 801-018C	794365 794365
933 (01) (Diff.)	781 100-019	794378 794377	3011H (ST110) (01)	1327	794425
(02) (Diff.)	781A 100-056	794378 None	3012G (ST125G) (01 & 02)	801-018C	794365
936 (Diff.)	781A 100-056	794378 None	3012H (ST124H) (01 & 02)	1327	794425
940	710A	794200	3014H (HP14) (01)	1327C	794425
	751	794322	3016G (ST160) (01) (02 thru 04)	801-018 801-018C	794365 794365
942 (02) (03) (Diff.)	751 758A 100-010	794322 794323 794319	3016H (ST160) (01 thru 04)	1327	794425
943	824	794396	3018G (ST180) (01)	801-018C	794365
Tractors			3018H (ST180) (01)	1327C	794425
160/161/164/165 (770)	1207	None	3112G (ST120) (01)	801-018C	794365
166 (775)	1301	None	3114G/R (ST140) (01)	801-018C	794365
510	623	794173	3114G (St120) (01)	801-018C	794365
610/613 (01 thru 03) (04)	623 623A	794173 794173	3114H (ST140) (01)	1327C	794425
730/733	1207	None	3118G (GT180) (01)	2358	None
736	1301	None	3211G (ST110) (01)	842	None
812 (LT8) (01) (02)	673 601-004	794263 None	3212G/R (ST120) (01 & 02)	920-011 920-011A	794455 794455
813 (01) (02 & 03)	623 623A	794173 794173	(03) (04)**	930-023	794455A
813 (G8) (04 & 05) (06 thru 08)	623A 623B	794173 794173	3212H (ST120) (01)	1327C	794425
814 (LT8E) (01) (02)	673 601-004	794173 None			
1011G (G11LT)	801-009	794309			
1011H (H11LT)	1315	None			
1060 (G11XL) (01) (02) (RH Gearbox)	2341 2346 3345-P91	None 794320 794251			

*Order axles 774440 & 774441 when replacing.

**920-011A S/N 0300101-0400300, 930-028 S/N 0400301 & Later

PEERLESS TRANSMISSIONS AND DIFFERENTIALS (CONT'D)
BOLENS & TROY-BILT

SKU/ Model	Peerless Model	Service No.
3214G/R (ST140) (01)	801-018C	794365
3312GR/S	920-011A	794455
5017G (1700) (01 & 02)	2355	794320
(RH Gearbox)	3890-P91	794305
13023 (ST120)	930-023	794455A
13025	930-023	794455A
13034	930	
13053	820-026	
13058	930	794455A
13059	1800 (Hydro)	794553
13072	930	79445A
13073	1800 (Hydro)	794553

MISCELLANEOUS PART NUMBERS

PAINT

1734846	Red (Bolens)	13 oz.	Spray
1735221	Beige	13 oz.	Spray
1735222	Black	13 oz.	Spray
1754182	AJ Black	13 oz.	Spray
1735223	White	13 oz.	Spray
1725796	White	1 qt.	
1742379	Light Green	13 oz.	Spray
1736796	Dark Green.....	13 oz.	Spray
1740960	Dark Green.....	1 qt.	
1759591	W-W Green	13 oz.	Spray
1860985	Diesel Black	13 oz.	Spray
1862177	Diesel White	13 oz.	Spray
1902815	Green	13 oz.	Spray

LUBRICANTS

1719650	Hydrostatic Oil (ATF)..	1 Gal.
1738157	Transmission/Hydraulic Oil (Benzoil)	1 Gal.
1768598	20w Oil	1 Gal.

WALK BEHIND MOWERS

1733251	Charger
1761015	Battery Kit (Panasonic w/bracket)
1731454	Exhaust Deflector, Tec. 4 HP
1731455	Exhaust Deflector, Tec. 5 HP
1750527	Exhaust Deflector, B & S 4 HP
1750527	Exhaust Deflector, B & S 3-1/2 HP
1759269	Mulching Mower Grass Bag
1731985	Mulching Mower Leaf Bag
1721482	18" Mulching Mower Blade
1738342	20" Mulching Mower Blade (Old Model)
1760020	20" Mulching Mower Blade (Current Dk. Gr. Models)
1893850	22" Mulching Mower Blade (Old Model)
1755990	22" Mulching Mower Blade (Current Dk. Gr. Models)
1731148	22" Mulching Mower High Lift Blade
1751965	Combo Mower High Lift Blade
1752039	BBC Combo Mower High Lift Blade
1743694	Plastic Sleeve for Mulching Mower Rear Bag Kit (Needs 8, 1744355 pins)
1731394	Mulching Mower Curved Weld Pin, 11/32 Dia. x 1-1/2" Lg. w/Hole.
1731396	Mulching Mower Flat Hd. Weld Pin, 3/8 Dia. x 1" Lg. w/Hole
1725701	Mulching Mower Flat Hd. Weld Pin, 3/8 Dia. x 5/8" Lg. w/No Hole

RIDING MOWERS

1753096	28" High Lift Blade
1730315	28" Mower/Bagger Plate
1763440	28" Spindle Assy.
1750576	30" H.D. Spindle Assy.

1758452	Frame Stiffener
1756315	Adjustable Links
1750880	Differential Assy. (Square Type)

TRACTORS & ATTACHMENTS

1748142	Decal Kit-Used on all older tractors. Included are two side hood decals ("Bolens")' one front hood decal, and a mower safety decal.
1726435	G.E. Headlights - Spade Terminal
1185360	Eaton Model 12 Control Shaft O-ring
1724388	Eaton Model 12 Shuttle Valve
1746256	Telescoping Driveshaft "Q" Series
1740006	Telescoping Driveshaft "HT" Series
1726213	Repair Kit, Hydraulic Valve (X Series Medium Frame Tractors) (2 Req.)
1728080	.015 Shim for HT20 Rear Axle
1738231	Shaft Kit for Right Angle Drive on Gear XL's
1737386	2000 PSI Pressure Gauge Kit
1740023	Mower Mule Drive Assy. F/Medium Frame Tractor
1744918	Gearbox Assy. for 5000, 5100 QT Series Mowers
1733655	Gearbox Assy. (without Mounting Bracket) for 38" or 42" Tube Frame Mowers.
NLA	Gearbox Assy. for 18538 Snowthrower
1718650	Gearbox Assy. for 18110 & 19212 Mowers (19212 Also requires 1730597 shaft)
1743516	30A Fuse for ST Tractors
1765976	Wheel Weight "J" Bolts
1760225	Dampening Ring (1467, 1468 brake)
1726450	Hydro Oil Filter

BATTERIES

1752840	LT, with gas tank in front
1743999	Rear Engine Rider self charging & LT, with gas tank in rear.
1760099	XL, 1700, 1900 & HT
Buy Loc	2289, 2288, HDT 1000 (80 Amp)
1752840	5100, ST Series, Med Frame

OTHER

1735625	Auger Shear Bolts - Walk Behind Snowthrower.
---------	---

MISCELLANEOUS DIESEL PART NUMBERS

FILTERS

2 CYL. TX 1300, 1500 (Red Decals)

Engine Oil.....	1874139
Fuel	1875659
Air	1871493
Hydraulic (Screen)	1871794
1353 (H.D. Air Cleaner).....	1721457

2 Cyl. TX 1300, 1500 (Green Decals)

Engine Oil.....	1874139
Fuel	1876440
Air (Fins).....	1872002
Hydraulic (Screen)	1871794

3 Cyl. TX 1502, 1504, 1704

Engine Oil.....	1874139
Fuel	1876440
Air (Fins).....	1872002
Hydraulic (Screen) (Gear Models).....	1874043
Hydro (Screen) (Hydro Models)	1864731
HST (Spin On) (Hydro Models)	1864599
HST (Screen) (Hydro Models).....	1864586

2 Cyl. TS 1904, 1910, 220

Engine Oil.....	1726450
Fuel	1862499
Air	1871991
Hydraulic (Screen)	1862834

3 Cyl. TS 2902, 2094

Engine Oil.....	1726450
Fuel	1872176
Air	1872249
Hydraulic (Spin On).....	1873042

2102 & 2104

Engine Oil.....	1874196
Fuel (Approx. 2-5/8" x 1-3/8"	1862499
(Approx. 3-1/2" x 1-7/8"	1871183
Air	1874282
Hydraulic (Element).....	1874664

2702 & 2704

Engine Oil.....	1726450
Fuel (Approx. 2-5/8" x 1-3/8".....	1862499
(Approx. 3-1/2" x 1-7/8").....	1871183
Air (Fins).....	1870322
Air (Capped).....	1871198
Hydraulic (Element).....	1870823

HT20D & HT22

Engine Oil.....	1739922
Fuel	1738804
Engine Air.....	1721457
Hydro. Oil (Spin On).....	1726450

HYDRAULIC MANIFOLDS

TX 2 Cyl. (in Model 1326)	1862088
TS 2 Cyl. (in Model 1940)	1863134
TX 3 Cyl. (in Model 17367)	1863343
TS 3 Cyl. (in Model 17355)	1863831
21 H.P. (in Model 17560)	1863475

27 H.P. (in Model 17460)	1864246
29 H.P.	1863831

MISCELLANEOUS

Compression Test Adapter (TX/TS)	1876357
Output Shaft for 1954 Gearbox	1718621
Complete 1954 Gearbox	1718650
Complete 17350 Gearbox (01).....	1862072
(02 & later)	1864234
Complete 17660 Gearbox (01) (05) (06) ..	1750437
(02) (03) (04).....	1751224

Gearbox Parts, 1343/1344 Mower:

• Output Shaft.....	1813084
• Output Seal.....	1813087
• Input Shaft	1813085
• Input Seal.....	1813086
• Anti Wrap Kit.....	1813083
Pump Drive Shaft (1923).....	1812543
TS Radiator Sealing Kit.....	1863398
Pressure gauge Kit (2000 PSI)	1737386
Wheel Spacers (21 & 27 H.P.)	1860844

LUBRICANTS

Benzoil Gear (Hydra. Oil) (1 Gal.)	1738157
(Alternate Fluids - See Page 39)	

PAINT

Diesel Black (13 oz. Spray)	1860985
Diesel White (13 oz. Spray)	1862177
Diesel White (QT).....	1862179

BATTERIES

TX (2 Cyl.)	1873992
TX (3 Cyl.)	1873992
TS 19 & 24 HP	1873703
2102 & 2104.....	1873992
2702 & 2704.....	1873992
TS 29 HP	1873233

IGNITION KEYS

15, 17, 19, 24 & 29 HP	1871433
21 & 27 HP.....	1870948
HT20D, HDT 1000	1739768

SERVICE BULLETINS LISTED BY SUBJECT

	<u>NUMBER</u>	<u>SUBJECT</u>
<u>WARRANTY</u>		
	186	Delco-Remy Warranty and Service Parts
	311	Owner Registration
	311C	Magnuson-Moss Warranty Act (U.S.only)
	313	Owner Registration
	344	6888 Warranty Policy
	346B	New Warranty Policy - QT17, HT23 and Diesels
	365	New 3 Year Limited Non-Commercial Policy
	365 (Supp.)	New 3 Year Limited Non-Commercial Policy
<u>MISCELLANEOUS</u>		
	316	Resistor Spark Plug Chart
	324	Parts Shortage Procedure
	348	Use of Gasohol and Unleaded Fuel
<u>WALKING MOWERS</u>		
8545, 9545	262	Pre-Delivery Instructions for Wiring
8554, 8555	351	Vent Hole for Carburetor
8554, 9644	306	Drive Control Bar/Interlock Pre-Delivery Check
8555	349	Incorrect Wiring Harness
8661, 8668	335 Rev.	Trouble-Shooting Drive System
Electric Start Mowers	307	Change from Delco to G.E. Batteries
General	312	Primer Kit for Tecumseh Automatic Carburetors
8364	367	Blade/Brake/Clutch Installation
Eliminator Plus	368	Drive Cable Replacement Kit
Eliminator Plus	371	Belt Roll-Over
Eliminator Plus	372	General Updating Procedure
1990 22" Mulching Mowers	379	Single Height Adjuster
1990 22" Mulching Mowers	380	Briggs & Stratton Fuel Tanks
<u>MULCHER/CHIPPERS</u>		
47018	383	<i>Belt Idler Spring</i>
47018	384	<i>Chute Failure</i>
<u>TILLERS</u>		
2135	264 Rev.	Obtaining Positive Neutral
<u>SNOWTHROWERS</u>		
225, 350, 500	342	Gas Caps, Primer Bulb and Line
	343	Scraper Bar and Hardware
225, 350, 500 (-02's)	355	Engine Pulley Alignment
350	339	Instrument Panel Bracket
350, 350E	338	Governor Arm/Heat Shield Contact
350, 500	336	Engine Oil Fill
500, 500E	346	Elimination of Top Louver
524, 625, 826	314	Auger Drive Belt Brake Pre-Delivery Check
524, 724, 826, 1032	329	Snowthrower Shield #1738068
524, 726, 832	219	Belt Damage caused by Engine Sheave

SERVICE BULLETINS LISTED BY SUBJECT (CONT'D)

	<u>NUMBER</u>	<u>SUBJECT</u>
<u>SNOWTHROWERS (Cont'd)</u>		
	220	Check Grips, Chute Control and Electric Start Kit
	221	Drive Extension Spring Breakage
726, 832	246	Procedure for Tightening Aluminum Drive Disk
	251	Installation of Chute Control Crank
826-06, 1026-04, 1032-04	359	Tapered Drive Pin Replacement
1990 Models	378	Drive Levers
824A & 1026	385	<i>Drive Levers & Drift Slicers</i>
<u>RIDING MOWERS/FRAME STEER</u>		
528, 830, 831	328	Steering Rod/Tie Rod Assembly
728	205	Front Wheel Alignment, Toe-In
	212	Drive Belt Adjustment
	216	Transmission and Drive Belt Maintenance Tips
	245	Wear at Steering Shaft Bushing
828, 829	290	Recall, Replace Rear Axle Assembly
	309	Follow-Up to Axle Replacement Recall
	294	Ground Drive Belt Slippage
829	258	Insufficient Ground Lead for Starting circuit
	296	Dust Cover Breakage on Electric Starters
830, 831	356	Mower Leveling
	353	Battery Holddown
940	352	Differential Conversion
940, 942	363	Steering Kit #1813600
942	357	Pre-Delivery Set-Up Instructions
	360	15570 Mower Height Adj. Handles
2028	374	Idler Arm Kit
2027, 2028, Export	376	Traction Drive Belt Interference
<u>SUBURBAN SERIES TRACTORS</u>		
3011G, 3016G	364	Recall for Brake Pivot Nut
<u>SMALL FRAME (STAMPED) TRACTORS</u>		
812, 814, 1113	331	Seat Activated PTO Switch
	341	Steering Support with Stops
813	203	Locknut on Brake Assembly
	326	Axle Shaft Retaining Ring Installation (Type 08 Models)
	361	15101, 32" Mower Rear Lift Stiffener
<u>TUBE FRAME TRACTORS</u>		
800, 850, 900, 1000, 1050	235	Plastic Replacement Gas Tank
1053, 1054, 1220, 1225, 1253		
1254, 1257		
1054, 1254, 1256, 1556	197 Rev.	Frame Reinforcement
1225, 1256, 1257	170	Hydrostatic Control Arm Removal and Replacement
1256, 1556, 1656	236	Replacement Brake Rod, more Positive Braking
1453, 1656	317	Starter-Solenoid Lead Replacement

SERVICE BULLETINS LISTED BY SUBJECT (CONT'D)

	<u>NUMBER</u>	<u>SUBJECT</u>
<u>MEDIUM FRAME TRACTORS</u>		
1458	318	Procedure to Improve Ground Circuit
<u>5000 SERIES TRACTORS</u>		
5018H, 5020H	375	Throttle Cables
<u>Q SERIES & 5000 SERIES TRACTORS</u>		
1660, 1666	293	Hair-Line Crack in Rear Axles
1666	227	Fuel Line Clamp Kit
	240	Changes in Seat Spring
	247	19250 Push Arm, Bell Crank Information
	287	Air Cleaner Breather Maintenance
	300	Driveshaft Vibration
<u>LARGE FRAME TRACTORS</u>		
1250, 1455, 1476, 1886	208	Driveshaft Vibration and Replacement Parts
1250, 1455, 1476, 1477, 1886	188 Rev.	Travel Pedal Dampner Adjustment
1886	207	Engine Driveshaft Adjustment
1886, 2086	242	Oil Pressure Readjustment
1886S-05-06, 2086, 2087, 2389	347	Telescoping Driveshaft
2086, 2087	249	Engine Pulse Pump Relocation
2087	248	Install Baffle Kit between Gas Tank and Muffler
	267A	Recall to shorten Pulse Pump/Carburetor Fuel Line
	268	Shorten Pulse Line between Pump and Engine Breather
	293	Hair-Line Crack in Rear Axles
2289	346A	General Engine Information
	350	Inadequate Engine Ground
2389S-02	366	Power Steering Ball Joint, Hydraulic Hose Replacement New Ball Joint Interference with 48" Snowthrower Installation
<u>TRACTOR ATTACHMENTS</u>		
1948	345	Installation of Nylon Washer on Chute Control
15101-07	361	Installation of Reinforcement Hitch Brackets
15104	340	Drive Pulley Alignment
18025, 18090, 18093	231	Chain Drive Tiller Interchangeability
18071, 18423	275	Servicing Mower Spindles
18093, 18618, 19230	270 Rev.	Non-Interchangeability of Tine Shafts and Hubs
18309	325	Alignment of PTO and Engine Sheaves
18335	333	Incorrect Gage Wheels
18722	320	Installation on 1055 Tractors
19210	332	Lift Link Kit
19212	330	Mower Hanger Modification to Improve Braking
Cozy Cab	244	Carbon Monoxide Tests and Baffle Kit
	277	Installation on Large Frame Tractors
Cozy & Original Cabs	337	Steering Wheel Interference
19211, 50048S, 50048R	362	PTO Driveshaft Length
50042, 50048, 50060	373	Lift Chains
34500 & 34501	381	1763632 GRS Gage Wheel Kit
14011, 30912, 30917, 34501	382	Double "D" Pulley Kit f/42" & 48" Mowers
14026 48" Mower	386	PowerPacker Plus & GRS Fit-Up
31038 & 14005 Snowthrower	387	Drive Belt Failure
14051, 14052, 14060	391	Drive Belt Failure

SERVICE BULLETINS LISTED BY SUBJECT (CONT'D)

<u>HYDROSTATICS</u>	<u>NUMBER</u>	<u>SUBJECT</u>
<u>Eaton Model 6</u>		
166 (775), 736	200	Available Repair Parts
	334	Recommended Fluids for Hydrostatics
<u>Eaton Model 10</u>		
194 (1225), 1256, 1257	170	Control Arm Removal
1456, 1556, 1656	187	Change in Hydrostatic Oil Line
	199	Abnormal Wear to Hydraulic Cylinder Guide 1721630
	201	Available Repair Parts
	284	Identification of different Eaton Model 10 Units
	334	Recommended Fluids for Hydrostatics
<u>Eaton Model 11</u>		
1058, 1458, 1658	334	Recommended Fluids for Hydrostatics
1666-05 & up, 2389		
Service Parts	358	Service Parts availability at Bolens
<u>Eaton Model 12</u>		
197 (1250), 198 (1455)	143	Change from Straight to Tapered Control Shaft
1476, 1477, 1886	144	Forward-Reverse Valve Cap Change
	168	Trouble-Shooting Check List
	334	Recommended Fluids for Hydrostatics
<u>Sundstrand</u>		
1660, 1666-01-04	241	Charge Pressure Relief Poppet Squeal
1886S, 2086, 2087	260	Transmission Noise, Output Shaft Bearing
	271	Charge Pump Change, Ball Bearings to Needle Bearings
	274	Core Credit Termination
	334	Recommended Fluids for Hydrostatics

DIESEL SERVICE BULLETINS

	<u>NUMBER</u>	<u>SUBJECT</u>
<u>TRACTORS</u>		
TX1300/1500	D6	Tractor Lubrication
TX1502/1504/1704	D7	PTO Kit, Model 1308 Installation
TX1502/1504/1704	D8	Product Information (Clutch Pedal Cutoff, 3-Point Hitch Attachments, Overrunning Clutch, Implement Driveshaft Lubrication, Overrunning Clutch for Rear Attachments, Incorrect Valve Lash Spec.)
TX1502/1504/1704	D10	PTO Overrunning Clutch
<u>ATTACHMENTS</u>		
1308 PTO	D1	Clutch Lever Bracket
1308 PTO	D2	PTO Shaft Slippage with 1330 Snowthrower
1326 Hyd. Kit	D3	Hydraulic Lift Cylinder Lowering Difficulty Weld Nuts on Bumper Cold Weather Hydraulic Fluids
1326 Hyd. Kit	D4	Increasing the Hydraulic Lift
1349 Mower	D5	Incorrect Assembly of Linkage
1308 PTO	D9	Revision to Front Bumper on TX 3 Cylinder for Model 13087 PTO
1704H	D11	Attachment Installation
Backhoe	D12	Mounting 17385 and 17405 to 19HP, 24HP, 2702 and 2704
17411 Loader	D13	Reinforcement Kit for Loaders on 2704

DIESEL PRODUCT BULLETINS

<u>PRODUCT</u>	<u>NUMBER</u>	<u>SUBJECT</u>
1400/1405	D3	Dozer Blades Replaced by Model 1385
Loaders	D4	Model 1517 & 1924 Front End Loader Specifications
Power Steering	D5	Model 1910, 1910F, 2420 & 2420F Power Steering availability
1349 Mower	D6	Model 1349 Replaced by Model 17350
Tires	D7	Turf Tires for 29HP Tractors
17377 Snowthrower	D8	Snowthrower for TX 3 Cylinder Tractors
17411 Loader	83	Front End Loader for 27 HP Tractors
TX Loader	84	The addition of 17353 Adapter Kit to Model 1517 Loader to TX (3 Cylinder) Tractors
17385 Backhoe	85	Backhoe Mounting Kit
19705 Cab	93	TX Tractors

DIESEL NEWS LETTERS BY SUBJECT

	<u>NUMBER</u>	<u>SUBJECT</u>
<u>TRACTORS</u>		
All	12/21/83	Cold Weather Starting Tips
All	1/17/84	Warranty
All	5/11/84	Metric Tire Conversions
All Models	5/11/84	Replacement Oil for Diesel Tractor Hydraulic System
21 & 27 HP	5/11/84	Engine Block Heaters
1502/04 & 1704	1/23/85	Diesel Tractor Replacement Decals
1502/04 & 1704	1/24/86	Installation of 18051 Wheel Weights to 17005 Turf Tires
2702/04	2/22/88	Fuel Filter Specifications
1502/04 & 1704	5/13/92	Diesel Engine Oil Filter

DIESEL NEWS LETTERS BY SUBJECT (CONT'D)

	<u>NUMBER</u>	<u>SUBJECT</u>
<u>ATTACHMENTS</u>		
17367 Lift Kit	1/17/84	Installation on TX1300/1500
Wheel Weights	5/11/84	2102/2104
Engine Block Heaters	5/11/84	21 & 27 HP
17660 Mower	4/24/85	Gear Case
Wheel Weights & Tires	1/24/86	Information

NEWS LETTERS LISTED BY SUBJECT

	<u>DATE</u>	<u>SUBJECT</u>
<u>WARRANTY</u>		
Diesel Tractors	1/17/84	Warranty Procedure
Claims	5/13/92	Procedure
<u>MISCELLANEOUS</u>		
Engines & Transmissions	3/14/83	Parts
Paint	5/11/84	Paint Availability
1721620 Seal Kit	1/23/85	Hydraulic Control Valve Seal Kit
Diesel Paint	1/23/85	Tractor White Paint availability
Kohler	1/24/86	Engine Service Replacements
Parts Plating	4/12/89	DI-Chromate Plating
Hydraulic Valve	5/15/91	Valve Repair Kit
Microfiche	5/13/92	Microfiche Mailing
<i>Electric Clutch</i>	<i>5/7/93</i>	<i>Break-In Procedure</i>
<u>WALK BEHIND MOWERS</u>		
Eliminator Plus	5/17/83	Hard Covert Cover Hinge Clips
8372	5/17/83	Tecumseh Cold Weather Primer
Mulching Mowers	5/11/84	Oil Drain Procedure
Combination Mowers	4/24/85	Proper Routing of Drive Control Cables on Models 8362, 8364 and 8372
8364	1/24/86	Eliminators
		Blade Number Correction
		Wheel Hub Replacements
Battery	1/24/86	Mower Battery Test/Charging Information
Eliminator Plus	4/24/86	Transmission 1744707 unavailable
Eliminator Plus	4/24/86	Transmission Disengagement
Battery	2/18/87	Electric Start Battery
Combination Mowers	4/12/89	High & Low Speed Pulleys
Mulching Mowers	4/12/89	Cable Clamp
Combination Mowers	3/21/90	#1754076 Hardware Kit
Mulching Mowers	3/21/90	#1758427 Idler Arm/Spring Kit
Briggs & Stratton	8/31/90	Fuel Tank Recall on Quantum Engines
Briggs & Stratton	10/25/90	Fuel Tank Recall Update
Mulching Mowers	2/13/91	Height Adjuster Creep Down
Mulching Mowers	5/15/91	Replacement Engines
Mulching Mowers	5/13/92	Handle Bars
<i>Mulching Mowers</i>	<i>5/7/93</i>	<i>Gearbox Idler Arm</i>
<u>CHIPPER/SHREDDERS</u>		
MC Models	4/12/89	Chipper Screens
MC Models	2/13/91	Leaf Tampers
<u>SNOWTHROWERS</u>		
Mini	2/22/88	Wrap Sheet for 01 Serial Numbers
322	3/21/90	Fuel Tank Leaks
<u>RIDING MOWERS/FRAME STEER</u>		
15125	1/17/84	Mount to 942
18032 Wheel Weight	1/17/84	Mount to 942
933 Villa	1/23/85	Set-Up Instructions
Riding Mower	4/24/85	Revised Drive Train

NEWS LETTERS LISTED BY SUBJECT (CONT'D)

	<u>DATE</u>	<u>SUBJECT</u>
<u>RIDING MOWERS/FRAME STEER (Cont'd)</u>		
933 Villa	4/24/85	Revised PTO Drive Belt and Steering Cable Numbers
830/831	1/24/86	Heavy Duty Blade Spindle
940 Frame Steer	1/24/86	Mower Drive Belt
8HP Riding Mower	4/24/86	Engine Mount Kit #1752453
Riding Mower	4/24/86	Front Wheel Weight Carrier
933/936 Villa	4/24/86	Set-Up Instructions
Riding Mowers	2/18/87	Rear Engine Rider Throttle Cable #1744071
Riding Mowers	2/22/88	Chain Tensioner
2028	9/8/88	Bagging Performance
Riding Mowers	4/12/89	Adjustable Links & Frame Stiffener
Riding Mowers	3/21/90	Differential Assembly
944	2/13/91	Steering Cable
Riding Mowers	7/8/92	Mower Spindle Replacement
<i>Riding Mowers</i>	<i>5/7/93</i>	<i>PTO Cable</i>

SUBURBAN SERIES TRACTORS

3011 & 3016	1/17/84	Suburban Tractor After Fire
All Models	5/11/84	Hourmeter
Gear Drive	2/22/88	Drive Belt Adjustment
Early Models	9/8/88	Brake Switch Kit #1756194
All Models	4/12/89	Electric Clutch Identification
All Models	3/21/90	Lift Service Kit
All Models	5/15/91	Front Wheel Bushings
All Models	5/13/92	Tire Size & Wheel Weights
Some Models	7/8/92	Briggs & Stratton After Fire Complaints
<i>13059</i>	<i>4/29/93</i>	<i>Peerless Hydro Inspection</i>
<i>13058 & 13059</i>	<i>5/7/93</i>	<i>Dash Decal</i>

MEDIUM FRAME TRACTORS

1467, 1468, 1668 & 1669	2/13/91	Brake Noise
All Models	2/13/91	Electric Clutch Parts

"Q" SERIES TRACTORS

1666 (QT16)	4/12/89	ONAN Engine Bulletin #463
-------------	---------	---------------------------

5000/5100 SERIES TRACTORS

5019H	4/24/85	Hydraulic Oil Specifications
5117H	9/8/88	Air Filter Part Number
5117H	4/12/89	Air Filter #1756522
Dura Trac	2/13/91	Driveshaft "U" Joints

LARGE FRAME TRACTORS

HT23 (2389)	5/17/83	Engine Air Filtration System
-------------	---------	------------------------------

NEWS LETTERS LISTED BY SUBJECT (CONT'D)

	<u>DATE</u>	<u>SUBJECT</u>
<u>TRACTOR ATTACHMENTS</u>		
Miscellaneous	3/14/83	Kits & Attachments for Tractors
Hard Cabs	3/14/83	Part Ordering Information
18114 Power Steering	5/17/83	Power Steering Kit for HT20 & HT23
18110 Mower	5/17/83	1747212 Deflector Kit
1739017 Cruise Control Kit	1/17/84	Accessory Kit for XL, XT & 5017H
17367Lift Kit	1/17/84	Hydraulic Lift Kit for TX 1300 and 1500 Diesel Tractors
17413/17414 Wheel Weights	5/11/84	For 2102/2104 and 2702/2704
30036S Mower	5/11/84	Shim Plates
30902 Wheel Weights	5/11/84	Tractors
50930 Cab	1/23/85	Use on QT Series Tractors
5000 Series Mowers	1/23/85	Lift Cables
19210 Mower	1/23/85	Lift Link Kit
17350 Mower	1/24/86	Lift Height Adjustment
18110 Mower	4/24/86	Gage Wheel Conversion
Bradco Trencher	10/7/86	Manufacturer
30138 Snowthrower	10/7/86	Leveling Adjustment
31036S Mower	10/7/86	Lift System
1502 & 1704	10/7/86	Wheel Weights
50048 & 17350	10/7/86	Relocate Belt Tension Springs
50146-02 Snowthrower	10/7/86	50146-02 Installation Kits
1517 Loader	2/18/87	Mounting Loader to TX1300 and TX1500 2 Cyl. Tractors
17393/17394 Tillers	2/22/88	Driveshaft Length
PTO Driveshafts	9/8/88	Driveshaft Lengths for 3-Point Hitch Mounting
30042/30048 Mowers	9/8/88	Belt Guides
PowerPacker	4/12/89	Mounting Kit
BackPacker	4/13/91	Mounting Kit
Suburban Mowers	2/13/91	Idler & Transport Kits
60" Mower	2/13/91	Gage Wheel Kit
Snowthrower	2/13/91	Replacement Augers
GRS	5/15/91	Belt Tension
GRS	5/15/91	Horsepower Requirement
Suburban Mowers	5/15/91	Deck Lift Kit
GRS	5/13/92	GRS on 48" Deck
Suburban Mower	5/13/92	36" Deck Belt
 <u>HYDROSTATICS</u>		
Model 6, 10 & 12 Eaton	1/17/84	Parts Availability
1800 Peerless	4/29/93	Test Procedure

Notes:

TROY-BILT®

TABLE OF CONTENTS

WALK BEHIND MOWERS

	<u>PAGE</u>
Mulching Mower Gearcase	6
Vacu-Cut Belt Diagram	7
Safety Specifications for Power Lawnmowers	7
Wheels & Tires	8

ROTARY TILLERS

BRUSHCUTTER

CHIPPER/SHREDDERS

Clutch Assemblies	141
Belt Tension Adjustment (Engage Lever)	142

CHIPPER/VACS

WALK BEHIND SNOWTHROWERS

SPRAYERS

MISCELLANEOUS PRODUCTS

TRACTORS AND ATTACHMENTS

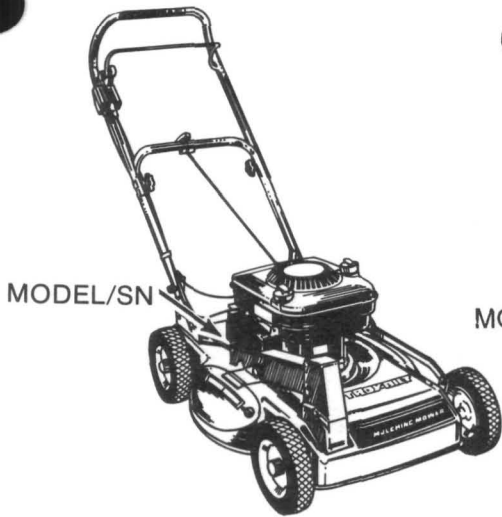
Transmission Fluids	40
Electric Clutch Troubleshooting	41
Hydro Transmissions	42
Belt Diagrams, Numbers & Blades	85
Mower Spindles	89

MISCELLANEOUS INFORMATION

Belt Diagrams & Sizes	92
Service Letters & Bulletins	155
Miscellaneous Part Numbers	158
Service Literature Order Form	160

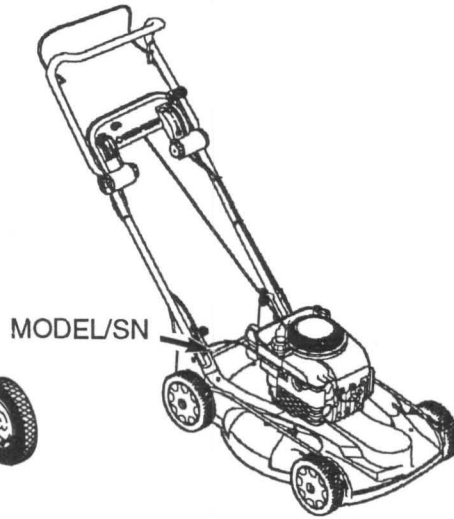
WALKING MOWER IDENTIFICATION

MULCHER



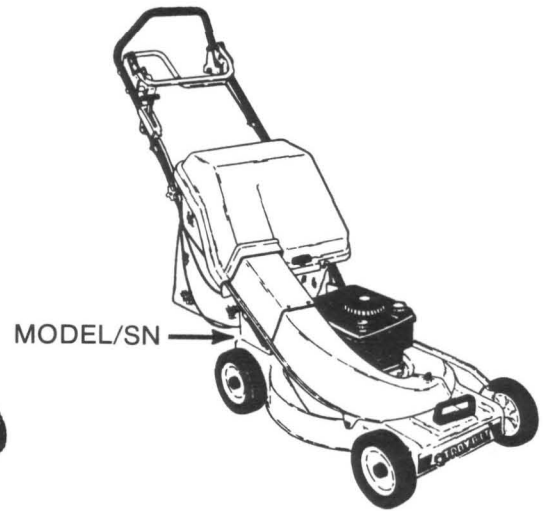
(Attachments - Page 117)

MULCHER



(Attachments - Page 117)

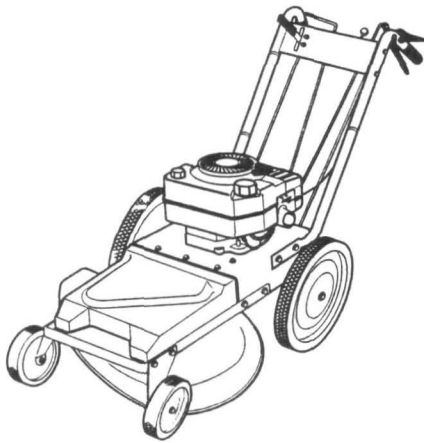
VACU-CUT®



(Attachments - Page 117)

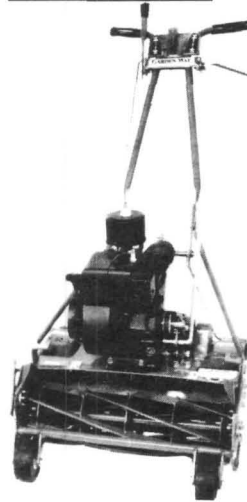
1

HIGH WHEEL



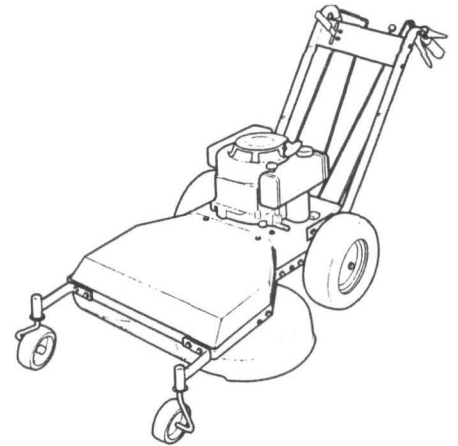
(Attachments - Page 117)

ScissorCUT®



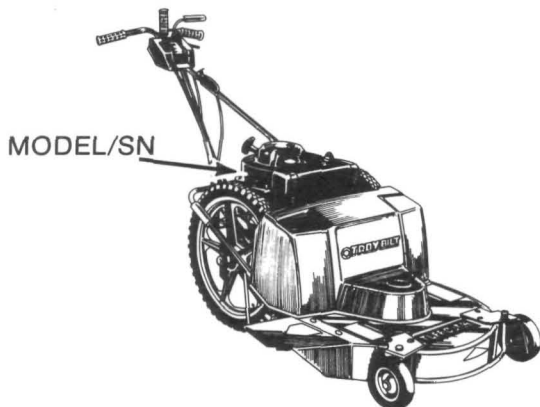
(Attachments - None)

WIDE CUT



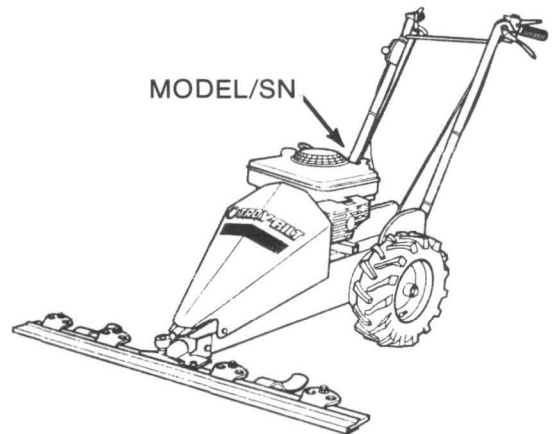
(Attachments - Page 117)

TUFF-CUT®



(Attachments - Page 117)

TRAIL BLAZER®/SICKLEBAR®



(Attachments - Page 117)

WALK BEHIND MODELS AND SPECIFICATIONS

SKU/ Model	Serial Number	Engine Model & Type	HP	In. Cut	Push	Self Prop.	Elec. Start	Reel	Compli- ance	Sickle	Side Disch.
1985 PRO											
4983	832092	B & S	5	22	X						(11)
4984	To	B & S	5	22		X					(11)
4985	836548	B & S	7	24		X					(11)
SCISSOR CUT											
5019	N/A	B & S 80202-1676	3	20		X		(3)			
5020	N/A	B & S 80202-1676	3	20		X		(4)			
5021	N/A	Koh K91T-311001	4	25		X		(3)			
5022	N/A	Koh K91T-311001	4	25		X		(4)			
TUFF CUT I											
4994	T100000/T102423	B & S 130907-1234	5	22		X	X		X		(5)
4995	T100000/T102423	B & S 130902-1233	5	22		X			X		(5)
4996	T600000/T602222	B & S 190707-2518	8	24		X	X				(5)
4997	T100000/T102423	B & S 190702-2208	8	24		X			X		(5)
4998	T100000/T102423	B & S 130902-1233	5	22	X				X		(5)
TRAIL BLAZER I											
5018	P1000000/P100984	B & S 92982-5368	3.5	34		X			X	(6)	
TRAIL BLAZER II											
5018	100985/101640	B & S 92982-5368	3.5	34		X			X	(6)	
1986 SCISSOR CUT											
5019	N/A	B & S 80202-1676	3	20		X		(3)			
5020	N/A	B & S 80202-1676	3	20		X		(4)			
5021	N/A	Koh K91T-311001	4	25		X		(3)			
5022	N/A	Koh K91T-311001	4	25		X		(4)			
TUFF CUT II											
10749	T102424/Up	B & S 130902-1233	5	22	X				X		(5)
10750	T102424/Up	B & S 130902-1233	5	22		X			X		(5)
10751	T102224/Up	B & S 130907-1234	5	22		X	X		X		(5)
10752	T602223/Up	B & S 190702-2208	8	24		X			X		(5)
10753	T602223/Up	B & S 190707-2518	8	24		X	X		X		(5)
10754	T602223/Up	B & S 130902-1233	5	22	X				X		(5)(8)
10755	T602223/Up	B & S 130902-1233	5	22		X			X		(5)(8)
10756	T602223/Up	B & S 130907-1234	5	22		X	X		X		(5)(8)
10757	T602223/Up	B & S 190702-2208	8	24		X			X		(5)(8)
10758	T602223/Up	B & S 190707-2518	8	24		X	X		X		(5)(8)
TRAIL BLAZER III											
5018	P101641/P105740	B & S 92982-5368	3.5	34		X			X	(6)	
10721	P101641-P105740	B & S 114982-0184 (1)	4	34		X			X	(6)(10)	
TRAIL BLAZER IV											
5018	P105741/Up	B & S 92982-5368	3.5	34		X			X	(6)	
10789	P105741/Up	B & S 92982-5368	3.5	34		X			X	(6)	
10790	P105741/Up	B & S 114982-0184 (1)	4	34		X			X	(6)(8)(10)	
11310	P105741/Up	B & S 114982-0184 (1)	4	38		X			X	(6)(8)(10)	

Footnotes: Page 116

WALK BEHIND MODELS AND SPECIFICATIONS (CONT'D)

SKU/ Model	Serial Number	Engine Model & Type	HP	In. Cut	Push	Self Elec. Prop. Start	Elec. Reel	Combi- nation	Compli- ance	Sickle	Side Disch.
1987											
SCISSOR CUT											
5019	N/A	B & S 80202-1676	3	20		X		(3)			
5020	N/A	B & S 80202-1676	3	20		X		(4)			
5021	N/A	Koh K91T-311001	4	25		X		(3)			
5022	N/A	Koh K91T-311001	4	25				(4)			
VACU-CUT II											
11300	0100101/Up	B & S 110708-0170	4	21		X		X	X		
11301	0100101/Up	B & S 1107078-3099	4	21		X	X	X	X		
TUFF CUT II											
10749	To/T112539	B & S 130902-1233	5	22	X				X		(5)
10750	To/T113539	B & S 130902-1233	5	22		X			X		(5)
10751	To/T112539	B & S 130907-1234	5	22		X	X		X		(5)
10752	To/T613735	B & S 190702-2208	8	24		X			X		(5)
10753	To/T613735	B & S 190707-2518	8	24		X	X		X		(5)
10754	To/T112539	B & S 130902-1233	5	22	X				X		(5)(8)
10755	To/T613735	B & S 130907-1233	5	22		X			X		(5)(8)
10756	To/T613735	B & S 130907-1234	5	22		X	X		X		(5)(8)
10757	To/T613735	B & S 190702-2208	8	24		X			X		(5)(8)
10758	To/T613735	B & S 193707-0331	8	24		X	X		X		(5)(8)
11362	T115000/Up	B & S 130902-1233	5	22	X				X		(7)
11363	T115000/Up	B & S 130902-1233	5	22		X			X		(7)
11364	T115000/Up	B & S 130907-1234	5	22		X	X		X		(7)
11365	T615000/Up	B & S 190702-2208	8	24		X			X		(7)
11366	T615000/Up	B & S 190707-0330	8	24		X			X		(7)
11367	T615000/Up	B & S 190702-0330 (1)	8	24		X	X		X		(7)
11368	T615000/Up	B & S 193707-0331 (1)	8	24		X			X		(7)
11369	T615000/Up	B & S 193702-0330 (1)	8	24		X			X		(7)(8)
11370	T615000/Up	B & S 193707-0331 (1)	8	24		X			X		(7)(8)
TRAIL											
BLAZER IV											
5018	To/P118205	B & S 92982-5368	3.5	34		X				X	(6)
10789	To/P118205	B & S 92982-5368	3.5	34		X				X	(6)
10790	To/P118205	B & S 114982-0184 (1)	4	34		X				X	(6)(8)(10)
11307	To/P118205	B & S 114982-0184 (1)	4	38		X				X	(6)(8)(10)
11310	To/P118205	B & S 114982-0184 (1)	4	38		X				X	(6)(8)(10)
TRAIL											
BLAZER V											
5018	P118206/Up	B & S 92928-5368	3.5	34		X				X	(6)(8)
11420	P118206/Up	B & S 114982-0184 (1)	4	38		X				X	(6)(8)
1988											
VACU-CUT											
11300	To/0199999	B & S 110708-0170	4	21		X		X	X		
11301	To/01019999	B & S 110707-3099	4	21		X	X	X	X		
TUFF CUT II											
11362	T115000/Up	B & S 130902-1233	5	22	X				X		(7)
11363	T115000/Up	B & S 130902-1233	5	22		X			X		(7)
11364	T115000/Up	B & S 130907-1234	5	22		X	X		X		(7)
11365	T615000/Up	B & S 190702-2208	8	24		X			X		(7)
11366	T615000/Up	B & S 190707-2518	8	24		X	X		X		(7)
11367	T615000/Up	B & S 193702-0330 (1)	8	24		X			X		(7)
11368	T615000/Up	B & S 193707-0331 (1)	8	24		X	X		X		(7)

Footnotes: Page 116

1

WALK BEHIND MODELS AND SPECIFICATIONS (CONT'D)

SKU/ Model	Serial Number	Engine Model & Type	HP	In. Cut	Push	Self Prop.	Elec. Start	Mulch Mower	Compli- ance	Sickle	Side Disch.
1988											
TUFF CUT II											
Cont'd											
11369	T615000/Up	B & S 193702-0330 (1)	8	24		X			X		(7)(8)
11370	T615000/Up	B & S 193707-0331 (1)	8	24		X	X		X		(7)(8)
TRAIL											
BLAZER V											
5018	To/P127020	B & S 92982-5368	3.5	34		X			X	(6)	
11420	To/P127020	B & S 114982-0184 (1)	4	38		X			X		
TRAIL											
BLAZER VI											
5018	P121281-P129480	B & S 92982-5368	3.5	34		X	X		X	(6)	
11397	P121281-P129480	B & S 114982-0184 (1)	4	38		X	X		X	(6)	
1989											
MULCHING											
MOWER											
8624R	B320100101/Up	B & S 121702-3126 (2)	3.5	20	X			X	X		
8654R	B310100101/Up	B & S 122782-3124 (2)	4	22		X		X	X		
8654RS	B330100101/Up	B & S 122782-3124 (2)	4	22		X		(9)	X		
TUFF CUT II											
11362	T115000/Up	B & S 130902-1233	5	22	X				X		(8)
11363	T115000/Up	B & S 130902-1233	5	22		X			X		(8)
11364	T115000/Up	B & S 130907-1234	5	22		X	X		X		(8)
11365	T615000/Up	B & S 190707-2518	8	24		X	X		X		(8)
11366	T615000/Up	B & S 190707-2518	8	24		X	X		X		(8)
11367	T615000/Up	B & S 193702-0330 (1)	8	24		X			X		(8)
11368	T615000/Up	B & S 193707-0331 (1)	8	24		X			X		(8)
11369	T615000/Up	B & S 193702-0330 (1)	8	24		X			X		(7)(8)
11370	T615000/Up	B & S 193707-0331 (1)	8	24		X	X		X		(7)(8)
TRAIL											
BLAZER VII											
15003/40141	F0000100/Up	B & S 114982-0184 (1)	4	38		X			X	(8)	
15003S/40141	Y0000100/Up	B & S 114982-0184 (1)	4	38		X			X	(8)(9)	
15004/40140	A0000100/UP	B & S 92982-5368	3.5	34		X			X	(8)	
15005/40141	V0000100/Up	B & S 114987-0185 (1)	4	38		X	X		X	(8)	
1990											
MULCHING											
MOWER											
8624R	B320100101/Up	B & S 121702-3126	3.5	20	X			X	X		
8654R	B310100101/Up	B & S 122782-3124 (2)	4	22		X		X	X		
8654RS	B330100101/Up	B & S 122782-3124 (2)	4	22		X		(9)	X		
TUFF CUT II											
11362	T115000/Up	B & S 130902-1233	5	22	X				X		(7)
11363	T115000/Up	B & S 130902-1233	5	22		X			X		(7)
11364	T115000/Up	B & S 130907-1234	5	22		X	X		X		(7)
11365	T615000/Up	B & S 190702-2517	8	24		X			X		(7)
11366	T615000/Up	B & S 190707-2518	8	24		X	X		X		(7)
11367	T615000/Up	B & S 193702-0330 (1)	8	24		X			X		(7)
11368	T615000/Up	B & S 193707-0331 (1)	8	24		X	X		X		(7)
11369	T615000/Up	B & S 193702-0330 (1)	8	24		X			X		(7)(8)
11370	T615000/Up	B & S 193707-0331 (1)	8	24		X	X		X		(7)(8)

Footnotes: Page 116

WALK BEHIND MODELS AND SPECIFICATIONS (CONT'D)

SKU/ Model	Serial Number	Engine Model & Type	HP	In. Cut	Push	Self Prop.	Elec. Start	Mulch Mower	Compli- ance	Sickle	Side Disch.
1990											
Cont'd											
TRAIL											
BLAZER VII											
15003	F0000100/Up	B & S 114987-0185 (1)	4	38		X			X	(7)	
15003S	Y0000100/Up	B & S 114987-0185 (1)	4	38		X			X	(7)(9)	
15004	A0000100/Up	B & S 92982-5368	3.5	34		X			X	(7)	
15005	V0000100/Up	B & S 114987-0185 (1)	4	38		X	X		X	(7)	
1991											
MULCHING											
MOWER											
8628R	B420100101/Up	B & S 122702-3126 (2)	4	20	X			X	X		
8628RS	B430100101/Up	B & S 122702-3126 (2)	4	20	X			X	X	(9)	
8654R	B310200101/Up	B & S 122782-3124 (2)	4	22		X		X	X		
8654RS	B430200101/Up	B & S 122782-3124 (2)	4	22		X		X	X	(9)	
8655R	B440100101/Up	B & S 124782-3130 (2)	5	22		X		X	X		
8655RS	B450100101/Up	B & S 124782-3130 (2)	5	22		X		X	X	(9)	
8656R	B460100101/Up	B & S 124787-3131 (2)	5	22		X	X	X	X		
8656RS	B470100101/Up	B & S 124787-3131 (2)	5	22		X	X	X	X	(9)	
TUFF CUT II											
11363	T115000/Up	B & S 130902-1233	5	22		X			X		(7)
11364	T115000/Up	B & S 130907-1234	5	22		X	X		X		(7)
11367	T615000/Up	B & S 193702-0330 (1)	8	24		X			X		(7)
11368	T615000/Up	B & S 193707-0331 (1)	8	24		X	X		X		(7)
11369	T615000/Up	B & S 193702-0330 (1)	8	24		X			X		(7)(8)
11370	T615000/Up	B & S 193707-0331 (1)	8	24		X	X		X		(7)(8)
TRAIL											
BLAZER VII											
15003	To/A0010408	B & S 114982-0184 (1)	4	38		X			X	(7)	
15003S	To/Y002346	B & S 114982-0184 (1)	4	38		X			X	(7)(9)	
15004	To/F0001825	B & S 96582-0110	3.5	34		X			X	(7)	
15005	To/V0004872	B & S 114987-0185 (1)	4	38		X	X		X	(7)	
34302	F0000100/Up	B & S 96582-0110	3.5	34		X			X	(7)	
34303	A0000100/Up	B & S 114982-0184 (1)	4	38		X			X	(7)	
34304	V0000100/Up	B & S 114982-0184 (1)	4	38		X			X	(7)(9)	
34305	Y0000100/Up	B & S 114987-0185 (1)	4	38		X	X		X	(7)	
1992											
MULCHING											
MOWER											
8628R	B420200101/Up	B & S 122702-3126 (2)	4	20	X			X	X		
8628RS	B430200101/Up	B & S 122702-3126 (2)	4	20	X			X	X	(9)	
8654R	340140300101/Up	B & S 122782-3124 (2)	4	22		X		X	X		
8654RS	340180300101/Up	B & S 122782-3124 (2)	4	22		X		X	X	(9)	
8655R	B440300101/Up	B & S 124782-3130 (2)	5	22		X		X	X		
8655RS	B450300101/Up	B & S 124782-3130 (2)	5	22		X		X	X	(9)	
8656R	B460300101/Up	B & S 124787-3131 (2)	5	22		X	X	X	X		
8656RS	B470300101/Up	B & S 124787-3131 (2)	5	22		X	X	X	X	(9)	
34007	B610100101/Up	Tec OVRM-50-52620B	5.5	20		X		X	X		
TUFF CUT II											
11363	T115000/Up	B & S 130902-1233	5	22		X			X		(7)
11364	T115000/Up	B & S 130907-1234	5	22		X	X		X		(7)

Footnotes: Page 116

1

WALK BEHIND MODELS AND SPECIFICATIONS (CONT'D)

SKU/ Model	Serial Number	Engine Model & Type	HP	In. Cut	Push	Self Prop.	Elec. Start	Mulch Mower	Compli- ance	Sickle	Side Disch.
1992											
TUFF CUT II											
Cont'd											
11367	T615000/Up	B & S 193702-0330 (1)	8	24		X			X		(7)
11368	T615000/Up	B & S 193707-0331 (1)	8	24		X	X		X		(7)
11369	T615000/Up	B & S 193702-0330 (1)	8	24		X			X		(7) (8)
11370	T615000/Up	B & S 193707-0331 (1)	8	24		X	X		X		(7) (8)
TRAIL											
BLAZER VIII											
34307	343070100101/Up	Tec TVS90-43637H	3.5	34		X			X	(7)	
34308	343080100101/Up	Tec TVS105-53630J	4	38		X			X	(7)	
34309	343090100101/Up	Tec TVS105-53629J	4	38		X	X		X	(7)	
1993											
MULCHING											
MOWER											
8628R	8628R0100101/Up	B & S 122702-3126 (2)	4	20	X			X	X		
8654R	8654R0100101/Up	B & S 122782-3124 (2)	4	22		X		X	X		
8654RS	8654RS0100101/Up	B & S 122782-3124 (2)	4	22		X		X	(9)		
8655R	8655R0100101/Up	B & S 124782-3130 (2)	5	22		X		X	X		
8655RS	8655RS0100101/Up	B & S 124782-3130 (2)	5	22		X		X	(9)		
8656R	8656R0100101/Up	B & S 124787-3131 (2)	5	22		X	X	X	X		
8656RS	8656RS0100101/Up	B & S 124787-3131 (2)	5	22		X	X	X	(9)		
34007	340070300101/Up	Tec OVRM-50-52620C	5.5	22		X		X	X		
TUFF CUT II											
11363	T115000/Up	B & S 130902-1233	5	22		X			X		(7)
11364	T115000/Up	B & S 130907-1234	5	22		X	X		X		(7)
11367	T615000/Up	B & S 193702-0330 (1)	8	24		X			X		(7)
11368	T615000/Up	B & S 193707-0331 (1)	8	24		X	X		X		(7)
11369	T615000/Up	B & S 193702-0330 (1)	8	24		X			X		(7) (8)
11370	T615000/Up	B & S 193707-0331 (1)	8	24		X	X		X		(7) (8)
TRAIL											
BLAZER VIII											
34307	343070100101/Up	Tec TVS90-43637H	3.5	34		X			X	(7)	
34308	343080100101/Up	Tec TVS105-53630J	4	38		X			X	(7)	
34309	343090100101/Up	Tec TVS105-53629J	4	38		X	X		X	(7)	
34310	343100100101/Up	Tec TVS105-53630J	4	38		X			X	(7)(9)	
SICKLEBAR											
34032	340320100101/Up	B & S 121782-0273	3.5			X			X	X	
34033	340330100101/Up	B & S 122782-0188	4			X			X	X	
34034	340340100101/Up	B & S 126782-0129	5			X			X	X	
34035	340350100101/Up	B & S 126787-0130 (1)	5			X	X		X	X	
1994											
MULCHING											
MOWER											
34020	340200200101/Up	B & S 122702-3182-01	4	21	X			X	X		
34021	340210200101/Up	B & S 122702-3182-01	4	21		(12)		X	X		
34022	340220200101/Up	B & S 124802-3433-01	5	21		(13)		X	X		
34023	340230200101/Up	B & S 124807-3435-01	5	21		(13)	X	X	X		
34311	343110100101/Up	B & S	5.5	21		(13)		X	(14)		
34313(15)	343130100101/Up	B & S	5.5	21		(13)		X	(14)		

Footnotes: Page 116

WALK BEHIND MODELS AND SPECIFICATIONS (CONT'D)

SKU/Model	Serial Number	Engine Model & Type	HP	In. Cut	Push	Self Prop.	Elec. Start	Mulch Mower	Compliance	Side Disch.
1994										
Cont'd										
WIDE CUT										
34041	340410200101/Up	B & S 196707-0141(1)	8.5	33		X	X	X	X	
34044	340430200101/Up	B & S 196702-0142(1)	8.5	33		X		X	X	
HIGH WHEEL										
34036	340360200101/Up	Tec VLV55-501017A	5.5	22		X				X
34037	340370200101/Up	Tec VLV55-501018A	5.5	22		X	X			X
34038	340380200101/Up	B & S 195702-0136	8	26		X				X
34039	340390200101/Up	B & S 195707-0137	8	26		X	X			X
SICKLEBAR										
34032	340320100101/Up	B & S 121782-0273	3.5	34		X			X	
34033	340330100101/Up	B & S 122782-0188	4	38		X			X	
34034	340340100101/Up	B & S 126782-0129	5	42		X			X	
34035	340350100101/Up	B & S 126787-0130 (1)	5	42		X	X		X	
1995										
MULCHING MOWER										
34020	340200200101/Up	B & S 122702-3182-01	4	21	X			X	X	
34021	340210200101/Up	B & S 122702-3182-01	4	21		(12)		X	X	
34022	340220200101/Up	B & S 124802-3433-01	5	21		(13)		X	X	
34023	340230200101/Up	B & S 124807-3435-01	5	21		(13)	X	X	X	
34311	343110100101/Up	B & S 099772-0628	5.5	21		(13)		X	(14)	
34313	343160100101/Up	B & S 099772-0628	5.5	21		(13)		X	(14)	
WIDE CUT										
34071	340710100101/Up	B & S 196707-0147	8.5	33		X	X	X	X	
34074 34073	340740100101/Up 3	B & S 196702-0146	8.5	33		X		X	X	
HIGH WHEEL										
34066	340660100101/Up	Tec VLV55-501017A	5.5	22		X				X
34067	340670100101/Up	Tec VLV55-501018A	5.5	22		X	X			X
34068	340680100101/Up	B & S 195702-0136	8	26		X				X
34069	340690100101/Up	B & S 195707-0137	8	26		X	X			X
SICKLEBAR										
34061	340610100101/Up	B & S 121782-0273-01	3.5	34		X			X	
34062	340620100101/Up	B & S 122782-0188-01	4	38		X			X	
34063	340630100101/Up	B & S 126782-0129-01	5	42		X			X	
34064	340640100101/Up	B & S 126787-0130(1)	5	42		X	X		X	

1 - I.C Engine 2 - Quantum 3 - 5 Blade 4 - 7 Blade 5 - Gilson Mfr. 6 - PBL Mfr. 7 - Troy Mfr.
 8 - Canada 9 - Sears 10 - Deluxe 11 - Production Started in 1984 12 - Manual Speed Adjustment
 13 - 6 Speed Remote Control 14 - BBC 15 - World Cup Graphics

1

WALK BEHIND MOWER ATTACHMENT INTERCHANGEABILITY*

Description	SKU/ Accessory No.	Mower Model				Remarks
		8624RS 8628R/S 8654R/S 8655R/S 8656R/S 34007 Mulching Mower	Vacu Cut	Tuff Cut	Trail Blazer	
Blade Kit	20"	1761695	X			Blade, hub & hdwe.
	21"	1752039		X		Blade, hub & hdwe.
	22"	1759335	X			Blade, hub & hdwe.
	22"	T49943		X		Blade only
	24"	T49944		X		Blade only
	34"	P406663			X	Blade only
	38"	P406666			X	Blade only
		P406732			X	Blade Maint. Kit
Eng. Service Pkg.						
3.5HP	11615				X	Spark plug & air filter
4HP	11540				X	Spark plug & air filter
5.5HP	1763807	X				
20"	1761696	X				Spark plug & air filter
22"	1759336	X				Belt, spark plug & air filter
22"	10972			X		Spark plug & air filter
24"	10973			X		Spark plug & air filter
	1901476				X	
Side Discharge Kit	6911		X			Chute for grass discharge
	6913	X				Chute for grass discharge
Side Grass Bag Kit	6809	X				Chute, bag & hdwe.
Wheel Kit	10759			X		Front Swivel

Description	SKU/ Accessory No.	Mower Model				Remarks
		34020/21 34022/23 34311/13 Mulching Mower	Wide Cut	High Wheel	Sicklebar	
Blade Kit	21"	1768306	X			Blade, Hub & Hdwe. - Standard
	21"	1768307	X			Blade, Hub & Hdwe. - BBC
	22"	1768479		X		Blade & Hdwe.
	26"	1768480		X		Blade & Hdwe.
	33"	1768492	X			Blade & Hdwe.
	34"	1765992			X	Knife Assy. Kit
	38"	1766762			X	Knife Assy. Kit
	42"	1766763			X	Knife Assy. Kit
		1766766			X	Blade Maint. Kit
Eng. Service Pkg.						
4HP	1768303	X				Spark Plug & Air Filter
5HP	1768304	X				Spark Plug, Air Filter & Belt
5.5HP	1768481			X		Spark Plug, Air Filter, Belt & Drain
5.5HP	1768305	X				Spark Plug, Air Filter & Belt
8HP	1768482		X	X		Spark Plug & Air Filter
24"	1767112				X	Spark Plug & Air Filter
8HP	1769036			X		Spark Plug & Air Filter
Side Grass Bag Kit	34504			X		Chute, Bag & Hdwe.
Grass Collection Kit	34505	X				
Wheel Kit	34506			X		Front Swivel

*NOTE: Check Accessory or Sales Price List for availability.

MISCELLANEOUS MOWER INFORMATION

(See Bolens Section)

	<u>Page</u>
Mulching Mower Gear Box	6
Vacu-Cut Belt Diagram	7
Safety Specifications for Power Mowers	7
Wheels & Tires	8

1

HIGH WHEEL & WIDE CUT

Engine RPM

Full Throttle (No Load)

- 22" - 3300 RPM
- 26" - 3000 RPM
- 33" - 3300 RPM

MULCHING MOWER KITS

(Aluminum Drive Models)

- Wheel Traction Kit 1903400
- Wheel Drive Assembly Kit . . 1903465

MULCHING MOWER DRIVE

ADJUSTMENTS

(Aluminum Deck Models)

- Axle End Play - .005 to .015
- Drive Disk Gap - .010 to .015
- Drive Cable Position - .250 (Past Clamp)
- Drive Disc Location to Tab - 2"

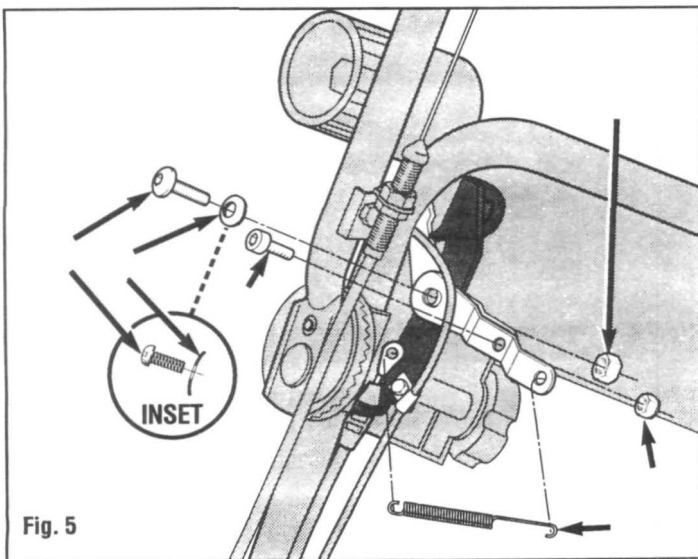
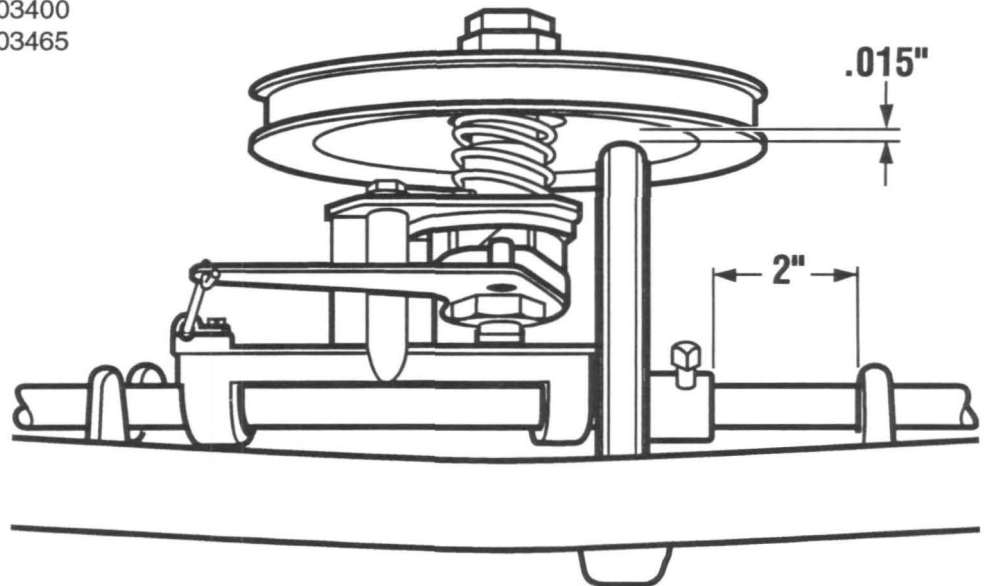
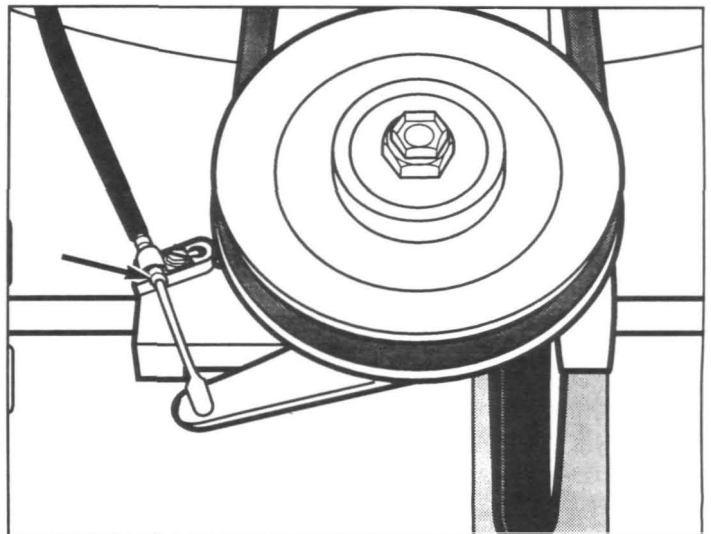
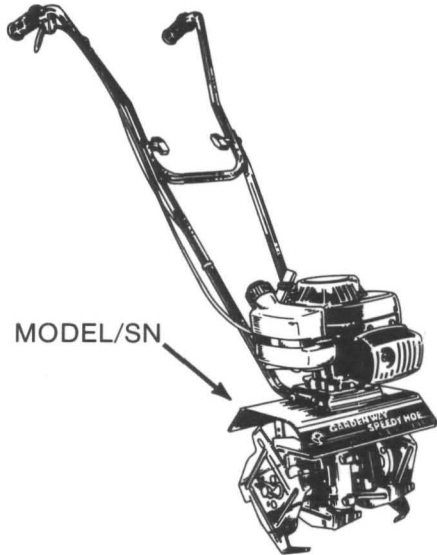


Fig. 5



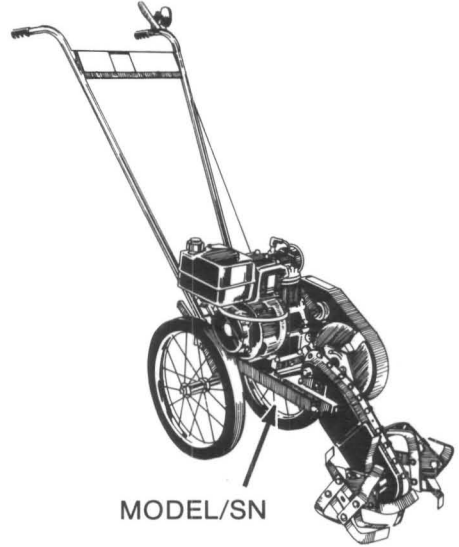
ROTARY TILLER IDENTIFICATION

SPEEDY HOE®/MINI TILLER



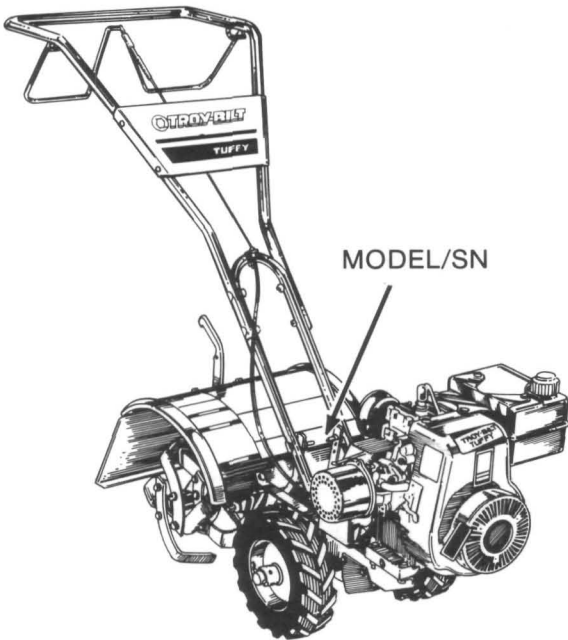
(Attachments - Page 131)

ROTO-ETTE/ CULTIVATOR PLUS®



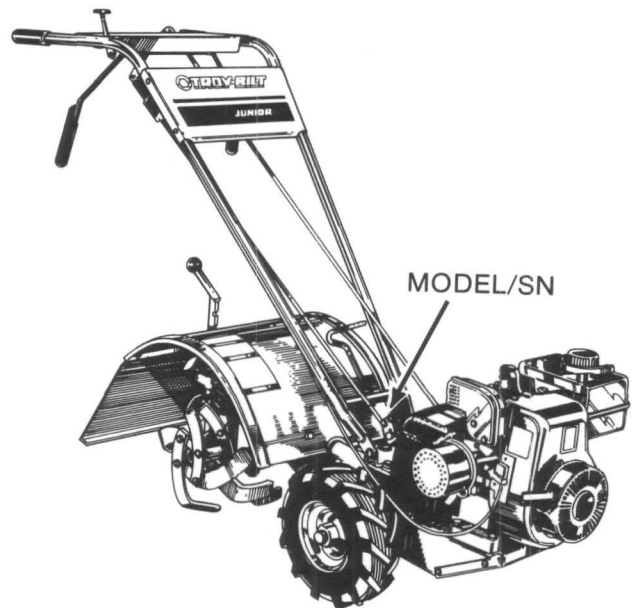
(Attachments - Page 131)

TUFFY®



(Attachments - Page 131)

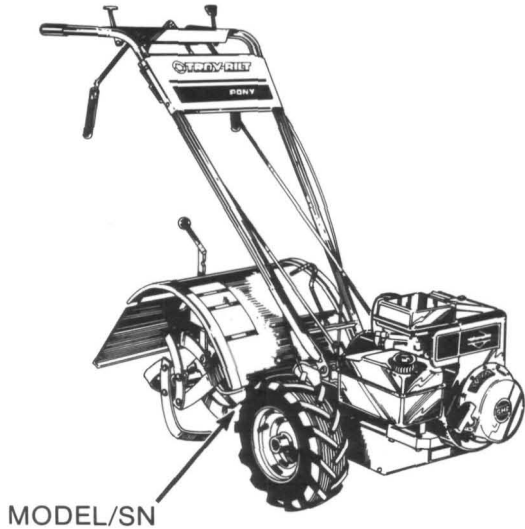
JUNIOR®



(Attachments - Page 131)

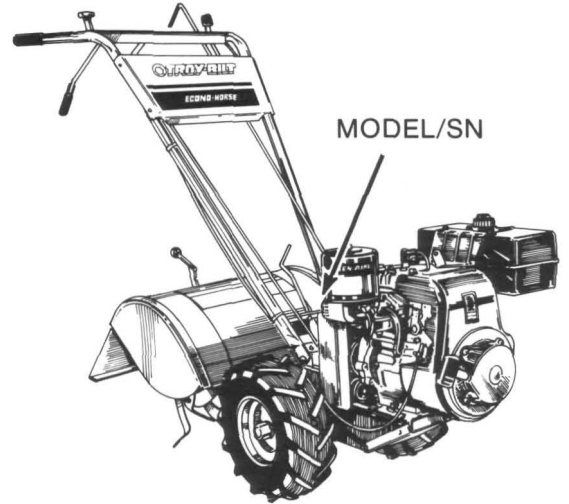
ROTARY TILLER IDENTIFICATION (CONT'D)

PONY®



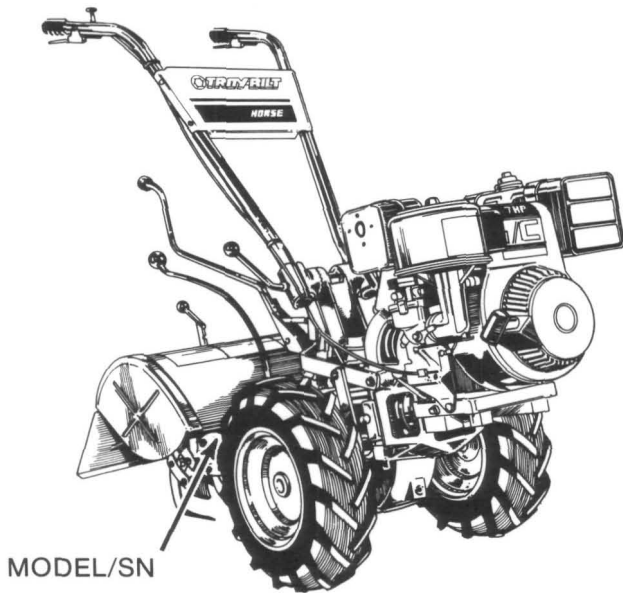
(Attachments - Page 131)

ECONO-HORSE®



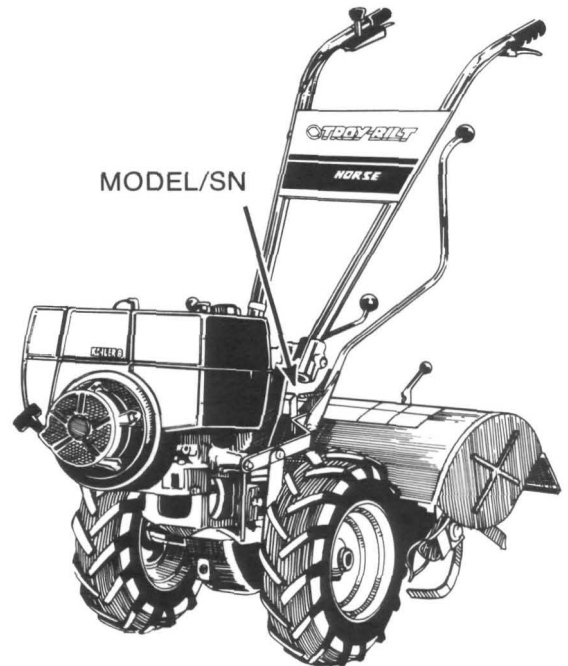
(Attachments - Page 131)

Standard HORSE®



(Attachments - Page 131)

Professional HORSE®



(Attachments - Page 131)

2

ROTARY TILLER MODELS AND SPECIFICATIONS

SKU/ Model	Serial Number	Engine Model & Type	HP	Till Width	Remarks
1962-1967					
HORSE I					
N/A	1001 - 2730	CL 498-0301-280	4.5	20"	2 Spd/2 Belt & Reverse
N/A	1001 - 2730	Tec HH60-105115H	6	20"	2 Spd/2 Belt & Reverse
N/A	1001 - 2730	Koh K161T-281293	7	20"	2 Spd/2 Belt & Reverse (5)
N/A	1001 - 2730	B & S 195432-0149	8	20"	2 Spd/2 Belt & Reverse
1967-1976					
HORSE I					
N/A	2731	CL 498-0301-280	4.5	20"	2 Spd/2 Belt & Reverse
N/A	2731	Tec HH60-105115H	6	20"	2 Spd/2 Belt & Reverse
N/A	2731	Koh K161T-281293	7	20"	2 Spd/2 Belt & Reverse
N/A	2731	B & S 195432-0149	8	20"	2 Spd/2 Belt & Reverse
PONY I (1976)					
N/A	P1001 - P12183	B & S 100292-0521	4	14.5"	
20458/60/63	P1001 - P12183	B & S 130297-0782 (1)	5	14.5"	
20459/61/62	P1001 - P12183	B & S 130292-0793	5	14.5"	
1977					
PONY I					
N/A	P12184 - P21735	B & S 100292-0521	4	14.5"	
20458/60/63	P12184 - P21735	B & S 130297-0782 (1)	5	14.5"	
20459/61/62	P12184 - P21735	B & S 130292-0793	5	14.5"	
HORSE I					
N/A	254202 - 299725	CL 498-0301-280	4.5	20"	2 Spd/2 Belt & Reverse
N/A	254202 - 299725	Tec HH60-105115H	6	20"	2 Spd/2 Belt & Reverse
N/A	254202 - 299725	Koh K161T-281293	7	20"	2 Spd/2 Belt & Reverse
N/A	254202 - 299725	B & S 195432-0149	8	20"	2 Spd/2 Belt & Reverse
1978					
PONY I					
20458/60/63	P21736 - P33556	B & S 130297-0782 (1)	5	14.5"	
20459/61/62	P21736 - P33556	B & S 130292-0793	5	14.5"	
HORSE I					
N/A	299726 - 315295	CL 498-0301-280	4.5	20"	2 Spd/2 Belt & Reverse
N/A	299726 - 315295	Tec HH60-105115H	6	20"	2 Spd/2 Belt & Reverse
N/A	299726 - 315295	Koh K161T-281293	7	20"	2 Spd/2 Belt & Reverse
N/A	299726 - 315295	B & S 195432-0149	8	20"	2 Spd/2 Belt & Reverse
HORSE II					
1648/55	314152 - 368621	B & S 195437-0150 (1)	8	20"	4 Spd - Reverse
1649/56	314152 - 368621	B & S 195432-0149	8	20"	4 Spd - Reverse
1650/57/67	314152 - 368621	Koh K161T-281293	7	20"	4 Spd - Reverse
1651/52/58/59/65/66	314152 - 368621	Tec HH60-105126J (1)	6	20"	4 Spd - Reverse
1653/54/60/61/62/63/64	314152 - 368621	Tec HH60-105127J	6	20"	4 Spd - Reverse
1979					
PONY I					
20458/60/63	P33557 - P48772	B & S 130297-0782 (1)	5	14.5"	
20459/61/62	P33557 - P48772	B & S 130292-0793	5	14.5"	
HORSE II					
1648/55/69	368622 - 439736	B & S 195437-0150 (1)	8	20"	4 Spd - Reverse
1649/56/68	368622 - 439736	B & S 195432-0149	8	20"	4 Spd - Reverse
1650/57/67	368622 - 439736	Koh K161T-281293	7	20"	4 Spd - Reverse
1651/52/58/59/65/60	368622 - 439736	Tec HH60-105126J (1)	6	20"	4 Spd - Reverse
1653/54/60/61/63/64	368622 - 439736	Tec HH60-105127J	6	20"	4 Spd - Reverse

ROTARY TILLER MODELS AND SPECIFICATIONS (CONT'D)

SKU/ Model	Serial Number	Engine Model & Type	HP	Till Width	Remarks
1980					
ONY I Cont'd					
20458/60/63	P48773 - P68033	B & S 130297-0782 (1)	5	14.5"	
20459/61/62	P48773 - P68033	B & S 130292-0793	5	14.5"	
HORSE II					
1648/55/69	435849 - 518348	B & S 195437-0150 (1)	8	20"	4 Spd - Reverse
1649/56/68	435849 - 518348	B & S 195432-0149	8	20"	4 Spd - Reverse
1650/57/67	435849 - 518348	Koh K161T-281293	7	20"	4 Spd - Reverse
1651/52/58/59/65/66	435849 - 518348	Tec HH60-105126J (1)	6	20"	4 Spd - Reverse
1653/54/60/61/63/64	435849 - 518348	Tec HH60-105127J	6	20"	4 Spd - Reverse
1981					
ONY Jr.					
50000	M1001 - M1273	Tec H35-45593R	3.5	14.5"	Reverse Disc
ONY I					
20458/60/63	P68034 - P88131	B & S 130297-0782 (1)	5	14.5"	
20459/61/62	P68034 - P88131	B & S 130292-0793	5	14.5"	
SUPER PONY					
20558	P80157 - P80408	B & S 130292-0793	5	16"	
20559	P80157 - P80408	B & S 130297-0782 (1)	5	16"	
ONY II					
20570/73	P88132 - P89465	B & S 130292-0793	5	16"	
20571/74	P88132 - P89465	B & S 130297-0782 (1)	5	16"	
HORSE II					
1648/55/69	518349 - 590135	B & S 195437-0150 (1)	8	20"	4 Spd - Reverse
1649/56	518349 - 590135	B & S 195432-0149	8	20"	4 Spd - Reverse
1650/57/67	518349 - 590135	Koh K161T-281293	7	20"	4 Spd - Reverse
1651/52/58/59/65/66	518349 - 590135	Tec HH60-105126J (1)	6	20"	4 Spd - Reverse
1653	518345 - 590135	Tec HH60-105127J	6	20"	4 Spd - Reverse
1982					
JUNIOR I					
50126/50127	M1274 - M8203	Tec H35-45593R	3.5	14.5"	Reverse Disc
JUNIOR II					
501272/50173	M8204 - M17011	Tec H35-45593R	3.5	14.5"	Reverse
50204	M8204 - M17011	Tec H35-45606S (1)	3.5	14.5"	Reverse
ONY II					
20570/73	P89466 - P95831	B & S 130292-0793	5	16"	
20571/74	P89466 - P95831	B & S 130297-0782 (1)	5	16"	
ONY III					
20594/20595	S101751 - S117138	B & S 130292-0900	5	16"	
20596/20597	S101751 - S117138	B & S 130297-0901 (1)	5	16"	
HORSE II					
1648/55/69	590136 - 639999	B & S 195437-0150 (1)	8	20"	4 Spd - Reverse
1649/56/68	590136 - 639999	B & S 195432-0149	8	20"	4 Spd - Reverse
1650/57/67	590136 - 639999	Koh K161T-281293	7	20"	4 Spd - Reverse
1651/52/58/59/65/66	590136 - 639999	Tec HH60-105126J (1)	6	20"	4 Spd - Reverse
1653/54/60/61/63/64	590136 - 639999	Tec HH60-105127J	6	20"	4 Spd - Reverse
HORSE III					
2215/16/17/18	640000 - 650219	Tec HH60-105127J	6	20"	4 Spd - Reverse
2219/20/21/22	640000 - 650219	Tec HH60-105126J (1)	6	20"	4 Spd - Reverse
2223/24	640000 - 650219	Koh M8T-PS301512	7	20"	4 Spd - Reverse
2225/26	640000 - 650219	B & S 195432-0149	8	20"	4 Spd - Reverse
2227/28	640000 - 650219	B & S 195437-0150 (1)	8	20"	4 Spd - Reverse
6000/01/10/11	640000 - 650219	Tec HH60-105127J	6	20"	4 Spd - Reverse

Footnotes: Page 130

2

ROTARY TILLER MODELS AND SPECIFICATIONS (CONT'D)

SKU/ Model	Serial Number	Engine Model & Type	HP	Till Width	Remarks
1982 Cont'd					
HORSE III					
Cont'd					
6100/6101/10/11	640000 - 650219	Tec HH60-105126J (1)	6	20"	4 Spd - Reverse
7010/11	640000 - 650219	Koh K161T-281293	7	20"	4 Spd - Reverse
7100/01/10/11	640000 - 650219	Tec HMXL70-132503	7	20"	4 Spd - Reverse
7200/01/10/11	640000 - 650219	Tec HMXL70-132504 (1)	7	20"	4 Spd - Reverse
8010/11	640000 - 650219	B & S 195432-0149	8	20"	4 Spd - Reverse
8110/11	640000 - 650219	B & S 195432-0150 (1)	8	20"	4 Spd - Reverse
8710/11	640000 - 650219	Koh M8T-PS301513	8	20"	4 Spd - Reverse
8810/11	640000 - 650219	Koh M8T-PS301513 (1)	8	20"	4 Spd - Reverse
1983/1984					
CULTIVATOR PLUS					
4982	C001001/Up	Tec H30-35346R	3	7-12"	
5017	C001001/Up	Tec H30-35346R	3	7-12"	Roto-ette
60000	C001001/Up	Tec H30-35346R	3	7-12"	Precision
60110/60111	C001001/Up	Tec H30-35346R	3	7-12"	
60250	C001001/Up	Tec H30-35364R	3	7-12"	Modified
JUNIOR II					
50172/73	M17012/Up	Tec H35-45593R	3.5	14.5"	Reverse
50204	M17012/Up	Tec H35-45606S (1)	3.5	14.5"	Reverse
PONY III					
20594/95	S117319 - S15911	B & S 130292-1900	5	16"	
20596/97	S117319 - S15911	B & S 130297-1901 (1)	5	16"	
HORSE III					
2215/16/17/18	650220 - 762558	Tec HH60-105127J	6	20"	4 Spd - Reverse
2219/20/21/22	650220 - 762558	Tec HH60-105126J (1)	6	20"	4 Spd - Reverse
2223/24	650220 - 762558	Koh M8T-PS301512	7	20"	4 Spd - Reverse
2225/26	650220 - 762558	B & S 195432-0149	8	20"	4 Spd - Reverse
2227/28	650220 - 762558	B & S 195437-0150 (1)	8	20"	4 Spd - Reverse
2308	670959 - 672560	B & S 195432-0149	8	20"	4 Spd - Reverse - U-Haul
6000/01/10/11	650220 - 762558	Tec HH60-105127J	6	20"	4 Spd - Reverse
6100/10/1101	650220 - 762558	Tec HH60-105126J (1)	6	20"	4 Spd - Reverse
7010/11	650220 - 762558	Koh K161T-281293	7	20"	4 Spd - Reverse
7100/01/10/11	650220 - 762558	Tec HMXL70-132503	7	20"	4 Spd - Reverse
7200/01/10/11	650220 - 762558	Tec HMXL70-132504 (1)	7	20"	4 Spd - Reverse
8010/11	650220 - 762558	B & S 195432-0149	8	20"	4 Spd - Reverse
8110/11	650220 - 762558	B & S 195432-0150 (1)	8	20"	4 Spd - Reverse
8710/11	650220 - 762558	Koh M8T-PS301512	8	20"	4 Spd - Reverse
8810/11	650220 - 762558	Koh M8T-PS301513 (1)	8	20"	4 Spd - Reverse
10056	705706 - 711166	Wis. Robin	8	20"	4 Spd - Reverse - U-Haul
1985					
CULTIVATOR PLUS					
4982	C001001/Up	Tec H30-35346R	3	7-12"	
5017	C001001/Up	Tec H30-35346R	3	7-12"	Roto-ette
60000	C001001/Up	Tec H30-35346R	3	7-12"	Precision
60110/11	C001001/Up	Tec H30-35346R	3	7-12"	
60250	C001001/Up	Tec H30-35364R	3	7-12"	Modified
JUNIOR II					
50172/73	To/M44764	Tec H35-45593R	3.5	14.5"	Reverse
50204	To/M44764	Tec H35-45606S (1)	3.5	14.5"	Reverse

Footnotes: Page 130

ROTARY TILLER MODELS AND SPECIFICATIONS (CONT'D)

SKU/ Model	Serial Number	Engine Model & Type	HP	Till Width	Remarks
1985 Cont'd					
PONY III					
20594/95	S15912 - S164132	B & S 130292-1900	5	16"	
20596/97	S15912 - S164132	B & S 130297-1901 (1)	5	16"	
PONY IV					
5010/11	S164133 - 179374	B & S 130292-1900	5	16"	
5110/11	S164133 - 179374	B & S 130297-1901 (1)	5	16"	
HORSE III					
2215/16/17/18	762559 - 806594	Tec HH60-105127J	6	20"	4 Spd - Reverse
2219/20/21/22	762559 - 806594	Tec HH60-105126J (1)	6	20"	4 Spd - Reverse
2223/24	762559 - 806594	Koh M8T-PS301512	7	20"	4 Spd - Reverse
2225/26	762559 - 806594	B & S 195432-0149	8	20"	4 Spd - Reverse
2227/28	762559 - 806594	B & S 195437-0150 (1)	8	20"	4 Spd - Reverse
6000/01/10/11	762559 - 806594	Tec HH60-105127J	6	20"	4 Spd - Reverse
6100/01/10/11	762559 - 806594	Tec HH60-105126J (1)	6	20"	4 Spd - Reverse
7010/11	762559 - 806594	Koh K161T- 281293	7	20"	4 Spd - Reverse
7100/01/10/11	762559 - 806594	Tec HMXL70-132503	7	20"	4 Spd - Reverse
7200/01/10/11	762559 - 806594	Tec HMXL70-132504 (1)	7	20"	4 Spd - Reverse
8010/11	762559 - 806594	B & S 195432-0149	8	20"	4 Spd - Reverse
8110/11	762559 - 806594	B & S 195432-0150 (1)	8	20"	4 Spd - Reverse
8710/11	762559 - 806594	Koh M8T-PS301513	8	20"	4 Spd - Reverse
8810/11	762559 - 806594	Koh M8T-PS301513 (1)	8	20"	4 Spd - Reverse
1986					
CULTIVATOR PLUS					
4982	C001001/Up	Tec H30-35346R	3	7-12"	
5017	C001001/Up	Tec H30-35346R	3	7-12"	Roto-ette
60000	C001001/Up	Tec H30-35346R	3	7-12"	Precision
60110/11	C001001/Up	Tec H30-35346R	3	7-12"	
60250	C001001/Up	Tec H30-35364R	3	7-12"	Modified
JUNIOR II					
50172/73	M00447650 - M0067998	Tec H35-45593R	3.5	14.5"	Reverse
50204	M00447650 - M0067998	Tec H35-45606S (1)	3.5	14.5"	Reverse
JUNIOR III					
5210/11	M67998 - M68941	Tec H35-45593R	3.5	14.5"	Reverse
5310/11	M67998 - M68941	Tec H35-45606S (1)	3.5	14.5"	Reverse
PONY IV					
5010/11	S179375 - S186071	B & S 130292-1900	5	16"	
5110/11	S179375 - S186071	B & S 130297-1901 (1)	5	16"	
PONY V					
5040/41	S0186073 - S194233	B & S 130292-1900	5	16"	
5150/51	S0203126 - S194233	B & S 130277-1901 (1)	5	16"	
ECONO HORSE					
6210/11	E0001001 - E0002275	Tec H60-75500N	6	18"	
6310/11	E0001001 - E0002275	Tec H60-75501N (1)	6	18"	
HORSE III					
2215/16/17/18	806595 - 841755	Tec HH60-105127J	6	20"	4 Spd - Reverse
2219/20/21/22	806595 - 841755	Tec HH60-105126J (1)	6	20"	4 Spd - Reverse
2223/24	806595 - 841755	Koh M8T-PS301512	7	20"	4 Spd - Reverse
2225/26	806595 - 841755	B & S 195432-0149	8	20"	4 Spd - Reverse
2227/28	806595 - 841755	B & S 195437-0150 (1)	8	20"	4 Spd - Reverse
6000/01/10/11	806595 - 841755	Tec HH60-105127J	6	20"	4 Spd - Reverse

Footnotes: Page 130

2

ROTARY TILLER MODELS AND SPECIFICATIONS (CONT'D)

SKU/ Model	Serial Number	Engine Model & Type	HP	Till Width	Remarks
1986					
<u>HORSE III Cont'd</u>					
6100/01/10/11	806595 - 841755	Tec HH60-105126J (1)	6	20"	4 Spd - Reverse
7010/11	806595 - 841755	Koh K161T - 281293	7	20"	4 Spd - Reverse
7100/01/10/11	806595 - 841755	Tec HMXL70-132503	7	20"	4 Spd - Reverse
1987					
<u>SPEEDY HOE</u>					
11078	HH0010000 - HH026799	Tec TC200-2026C (2)	1.5	6-9"	Hoffco
<u>CULTIVATOR PLUS</u>					
4982	To/C017818	Tec H30-35346R	3	7-12"	
5017	To/C017818	Tec H30-35346R	3	7-12"	Roto-ette
5027	To/C017818	Tec H30-35346R	3	7-12"	(4)
60000	To/C017818	Tec H30-35346R	3	7-12"	Precision
60110/11	To/C017818	Tec H30-35346R	3	7-12"	
60250	To/C017818	Tec H30-35364R	3	7-12"	Modified
<u>JUNIOR III</u>					
5210/11	M68942 - M75089	Tec H35-45593R	3.5	14.5"	Reverse
5310/11	M68942 - M75089	Tec H35-45606S (1)	3.5	14.5"	Reverse
<u>O.P.C. JR.</u>					
5610/11	M0074690 - M77754	Tec HS40-55580K	4	14"	(4)
5710/11	M0074690 - M77754	Tec HS40-55581K (1)	4	14"	(4)
15006	M0100870 - M77754	Tec HS40-55580K (1)	4	14"	(4)
15006S	M0100970 - M77754	Tec HS40-55580K	4	14"	(4) Sears
15021S	M0100970 - M77754	Tec HS40-55580K	4	14"	(4) Sears
<u>SUPER PONY</u>					
20558	P80157 - P80408	B & S 130292-0793	5	16"	
20559	P80157 - P80408	B & S 130297-0782 (1)	5	16"	
<u>PONY V</u>					
5040/41	S194234 - S0203125	B & S 130292-1900	5	16"	
5150/51	S194234 - S0203125	B & S 130297-1901 (1)	5	16"	
<u>O.P.C. PONY</u>					
5410/11	S0203126 - S209896	B & S 130292-3016	5	16"	(4)
5510/11	S0203126 - S209896	B & S 130297-3015 (1)	5	16"	(4)
15008	S0203126 - S209896	B & S 130292-3016	5	16"	(4)
15008S	S0203126 - S209896	B & S 130292-3016	5	16"	(4) Sears
15020S	S0203126 - S209896	B & S 130292-3016	5	16"	(4) Sears
<u>ECONO HORSE</u>					
6210/11	E0002276 - E0008843	Tec H60-75500N	6	18"	
6310/11	E0002276 - E0008843	Tec H60-75501N (1)	6	18"	
<u>O.P.C. ECONO HORSE</u>					
6410/11	E0008844 - E0013803	Tec H60-75505P	6	18"	(4)
6510/11	E0008844 - E0013803	Tec H60-75506P (1)	6	18"	(4)
15010/11	E0008844 - E0013803	Tec H60-75505P	6	18"	(4)
<u>HORSE III</u>					
2215/16/17/18	841756 - 855638	Tec HH60-105127J	6	20"	4 Spd - Reverse
2219/20/21/22	841756 - 855638	Tec HH60-105126J (1)	6	20"	4 Spd - Reverse
2223/24	841756 - 855638	Koh M8T-PS301512	7	20"	4 Spd - Reverse
2225/26	841756 - 855638	B & S 195432-0149	8	20"	4 Spd - Reverse
2227/28	841756 - 855638	B & S 195437-0150 (1)	8	20"	4 Spd - Reverse
6000/01/10/11	841756 - 855638	Tec HH60-105127J	6	20"	4 Spd - Reverse

Footnotes: Page 130

ROTARY TILLER MODELS AND SPECIFICATIONS (CONT'D)

SKU/ Model	Serial Number	Engine Model & Type	HP	Till Width	Remarks
1987					
HORSE III Cont'd					
6100/01/10/11	841756 - 855638	Tec HH60-105126J (1)	6	20"	4 Spd - Reverse
7010/11	841756 - 855638	Koh M8T-PS301512	7	20"	4 Spd - Reverse
7100/01/10/11	841756 - 855638	Tec HMXL70-132503	7	20"	4 Spd - Reverse
O.P.C. PTO					
HORSE					
7300/01/10/11	855639 - 866038	Tec HMXL70-132503B	7	20"	(4) Reverse
7400/01/10/11	855639 - 866038	Tec HMXL70-132504B (1)	7	20"	(4) Reverse
7500/01/10/11	855639 - 866038	B & S 171432-0534 (3)	7	20"	(4) Reverse
7600/01/10/11	855639 - 866038	B & S 171437-0535 (1)(3)	7	20"	(4) Reverse
8210/11	855639 - 866038	Koh M8T-PS301608	8	20"	(4) Reverse
8310/11	855639 - 866038	Koh M8ST-PS301609 (1)	8	20"	(4) Reverse
8311S	855639 - 866038	Koh M8ST-PS301609 (1)	8	20"	(4) Reverse - Sears
15019S	855639 - 866038	Koh M8ST-PS301609 (1)	8	20"	(4) Reverse - Sears
1988					
SPEEDY HOE					
11078	HH0010000 - HH026799	Tec TC200-2026C (2)	1.5	6-9"	Hoffco
11381	50000/Up	Tec TC200-2026C (2)	1.5	6-9"	Parmi
TUFFY					
5225	X000100 - X0012159	Tec H30-353875	3	14"	1 Spd - No Reverse
O.P.C. JR.					
5610/11	M77755 - M88508	Tec HS40-55580K	4	14"	(4)
5710/11	M77755 - M88508	Tec HS40-55581K (1)	4	14"	(4)
15006	M77755 - M88508	Tec HS40-55580K (1)	4	14"	(4)
15006S	M77755 - M88508	Tec HS40-55580K	4	14"	(4) Sears
15021S	M77755 - M88508	Tec HS40-55580K	4	14"	(4) Sears
O.P.C. PONY					
5410/5411	S209897 - S229591	B & S 130292-3016	5	16"	(4)
5510/5511	S209897 - S229591	B & S 130297-3015 (1)	5	16"	(4)
15008	S209897 - S229591	B & S 130292-3016	5	16"	(4)
15008S	S209897 - S229591	B & S 130292-3016	5	16"	(4) Sears
15020S	S209897 - S229591	B & S 130292-3016	5	16"	(4) Sears
O.P.C. ECONO					
HORSE					
6410/11	E0013804 - E0025126	Tec H60-75505P	6	18"	(4)
6510/11	E0013804 - E0025126	Tec H60-75506P (1)	6	18"	(4)
15010/11	E0013804 - E0025126	Tec H60-75505P	6	18"	(4)
O.P.C. PTO					
HORSE					
7300/01/10/11	866039 - 895068	Tec HMXL70-132503B	7	20"	(4) Reverse
7400/01/10/11	866039 - 895068	Tec HMXL70-132504B (1)	7	20"	(4) Reverse
7500/01/10/11	866039 - 895068	B & S 171432-0534 (3)	7	20"	(4) Reverse
7600/01	866039 - 895068	B & S 171437-0535 (1)(3)	7	20"	(4) Reverse
7610/11	866039 - 895068	B & S 171432-0534 (3)	7	20"	(4) Reverse
8210/11	866039 - 895068	Koh M8T-PS301608	8	20"	(4) Reverse
8310/11	866039 - 895068	Koh M8ST-PS301609 (1)	8	20"	(4) Reverse
8311S	866039 - 895068	Koh M8ST-PS301609 (1)	8	20"	(4) Reverse - Sears
15019S	866039 - 895068	Koh M8ST-PS301609 (1)	8	20"	(4) Reverse - Sears
1989-1990					
SPEEDY HOE					
11381	50000/Up	Tec TC200-2026C (2)	1.5	6-9"	Parmi

Footnotes: Page 130

ROTARY TILLER MODELS AND SPECIFICATIONS (CONT'D)

SKU/ Model	Serial Number	Engine Model & Type	HP	Till Width	Remarks
1989-1990 Cont'd					
TUFFY					
5225	X0001000 - X0012159	Tec H30-353875	3	14"	1 Spd - No Reverse
O.P.C. JR.					
5610/11	M88508 - M115948	Tec HS40-55580K	4	14"	(4)
5710/11	M88508 - M115948	Tec HS40-55581K (1)	4	14"	(4)
15006	M0100970 - M0108416	Tec HS40-55580K (1)	4	14"	(4)
15006S	M0100970 - M0108416	Tec HS40-55580K	4	14"	(4) Sears
15021S	M0100970 - M0108416	Tec HS40-55580K	4	14"	(4) Sears
O.P.C. PONY					
5410/11	S229592 - S271249	B & S 130292-3016	5	16"	(4)
5510/11	S229592 - S271249	B & S 130297-3015 (1)	5	16"	(4)
15008	S229592 - S271249	B & S 130292-3016	5	16"	(4)
15008S	S229592 - S271249	B & S 130292-3016	5	16"	(4) Sears
15020S	S229592 - S271249	B & S 130292-3016	5	16"	(4) Sears
O.P.C. ECONO					
HORSE					
6410/11	E0025217 - E0043764	Tec H60-75505P	6	18"	(4)
6510/11	E0025217 - E0043764	Tec H60-75506P (1)	6	18"	(4)
15010	E0025217 - E0043764	Tec H60-75505P	6	18"	(4)
15011	E0025217 - E0043764	Tec H60-75506P (1)	6	18"	(4)
O.P.C. PTO					
HORSE					
7300/01/10/11	0895069 - 00919666	Tec HMXL70-132503B	7	20"	(4) Reverse
7400/01/10/11	0895069 - 00919666	Tec HMXL70-132504B (1)	7	20"	(4) Reverse
7500/01/10/11	0895069 - 00919666	B & S 171432-0534 (3)	7	20"	(4) Reverse
7600/01	0895069 - 00919666	B & S 171437-0535 (1)(3)	7	20"	(4) Reverse
7610/11	0895069 - 00919666	B & S 171432-0534 (3)	7	20"	(4) Reverse
8210/11	0895069 - 00919666	Koh M8T-PS301608	8	20"	(4) Reverse
8310/11	0895069 - 00919666	Koh M8ST-PS301609 (1)	8	20"	(4) Reverse
8311S	0895069 - 00919666	Koh M8ST-PS301609 (1)	8	20"	(4) Reverse - Sears
15019S	0895069 - 00919666	Koh M8ST-PS301609 (1)	8	20"	(4) Reverse - Sears
1991					
SPEEDY HOE					
11381	50000/Up	Tec TC200-2026C (2)	1.5	6-9"	Parmi
TUFFY					
5225	X012160/Up	Tec H30-353875	3	14"	1 Spd - No Reverse
5225S	X012160/Up	Tec H30-353875	3	14"	1 Spd - No Reverse - Sears
O.P.C. JR.					
15006	M0108417/Up	Tec HS40-55580K	4	14"	(4)
15006S	M0108417/Up	Tec HS40-55580K	4	14"	(4) Sears
15021S	M0108417/Up	Tec HS40-55580K	4	14"	(4) Sears
O.P.C. PONY					
15008	5271250/Up	B & S 130292-3016	5	16"	(4)
15008S	5271250/Up	B & S 130292-3016	5	16"	(4) Sears
15020S	5271250/Up	B & S 130292-3016	5	16"	(4) Sears
O.P.C. ECONO					
HORSE					
15010	E0043765/Up	Tec H60-75505P	6	18"	(4)
15011	E0043765/Up	Tec H60-75506P (1)	6	18"	(4)

Footnotes: Page 130

ROTARY TILLER MODELS AND SPECIFICATIONS (CONT'D)

SKU/ Model	Serial Number	Engine Model & Type	HP	Till Width	Remarks
1991					
<u>O.P.C. PTO</u>					
<u>HORSE Cont'd</u>					
360	D0000001/Up	Koh M8ST - PS301609(1)	8	20"	(4) Silver Anniversary
7511	00942767/Up	B & S 171432-0534 (3)	7	20"	(4) Reverse
7611	00942767/Up	B & S 171432-0534 (3)	7	20"	(4) Reverse
8211	00942767/Up	Koh M8T-PS301608	8	20"	(4) Reverse
8311	00942767/Up	Koh M8ST-PS301609 (1)	8	20"	(4) Reverse
8311S	00942767/Up	Koh M8ST-PS301609 (1)	8	20"	(4) Reverse - Sears
15019S	00942767/Up	Koh M8ST-PS301609 (1)	8	20"	(4) Reverse - Sears
1992					
<u>SPEEDY HOE</u>					
11381	50000/Up	Tec TC200-2026C (2)	1.5	6-9"	Parmi
<u>MINI TILLER</u>					
12001	1200101001/Up	Tec TC200-2106 (2)	1.5	6-9"	Troy-Bilt
<u>TUFFY</u>					
5225	X012160/Up	Tec H30-35387S	3	14"	1 Spd - No Reverse
5225S	X012160/Up	Tec H30-35387S	3	14"	1 Spd - No Reverse - Sears
<u>O.P.C. JR.</u>					
15006	M115949/Up	Tec HS40-55580K	4	14"	(4)
15006S	M115949/Up	Tec HS40-55580K	4	14"	(4) Sears
15021S	M115949/Up	Tec HS40-55580K	4	14"	(4) Sears
<u>O.P.C. PONY</u>					
15008	5271250/Up	B & S 130292-3016	5	16"	(4)
15009	5271250/Up	B & S 130292-3016 (1)	5	16"	(4)
15008S	5271250/Up	B & S 130292-3016	5	16"	(4) Sears
15020S	5271250/Up	B & S 130292-3016	5	16"	(4) Sears
<u>O.P.C. ECONO</u>					
<u>HORSE</u>					
15010	E0043765/Up	Tec H60-75505P	6	18"	(4)
15011	E0043765/Up	Tec H60-75506P (1)	6	18"	(4)
<u>O.P.C. PTO</u>					
<u>HORSE</u>					
7511	00942767/Up	B & S 171432-0534 (3)	7	20"	(4) Reverse
7611	00942767/Up	B & S 171432-0534 (3)	7	20"	(4) Reverse
8211	00942767/Up	Koh M8T-PS301608	8	20"	(4) Reverse
8311	00942767/Up	Koh M8ST-PS301609 (1)	8	20"	(4) Reverse
8311S	00942767/Up	Koh M8ST-PS301609 (1)	8	20"	(4) Reverse - Sears
15019S	00942767/Up	Koh M8ST-PS301609 (1)	8	20"	(4) Reverse - Sears
1993					
<u>MINI TILLER</u>					
12001	120010100101/Up	Tec TC200-2106 (2)	1.5	6-9"	Troy-Bilt
<u>TUFFY</u>					
12060	120600100101/Up	Tec H30-35387S	3	14"	1 Spd - No Reverse
12060S	120600100101/Up	Tec H30-35387S	3	14"	1 Spd - No Reverse - Sears
<u>O.P.C. JR.</u>					
15006	150060100101/Up	Tec HS40-55580K	4	14"	(4)
15006S	15006S0100101/Up	Tec HS40-55580K	4	14"	(4) Sears
15021S	15021S0100101/Up	Tec HS40-55580K	4	14"	(4) Sears
<u>O.P.C. PONY</u>					
15008/09	150080100101/Up	B & S 130292-3016	5	16"	(4)
15008S	15008S0100101/Up	B & S 130292-3016	5	16"	(4) Sears
15020S	15020S0100101/Up	B & S 130292-3016	5	16"	(4) Sears

2

Footnotes: Page 130

ROTARY TILLER MODELS AND SPECIFICATIONS (CONT'D)

SKU/ Model	Serial Number	Engine Model & Type	HP	Till Width	Remarks
1993 Cont'd <u>O.P.C. ECONO</u> <u>HORSE</u>					
15010	150100100101/Up	Tec H60-75505P	6	18"	(4)
<u>O.P.C. PTO</u> <u>HORSE</u>					
12056	120560100101/Up	B & S 171432-0534	7	20"	(4) Reverse
12057	120570100101/Up	B & S 171432-0534 (1)	7	20"	(4) Reverse
12058	120580100101/Up	Koh M8T-PS301608	8	20"	(4) Reverse
12059	120590100101/Up	Koh M8ST-PS301609 (1)	8	20"	(4) Reverse
12059S	12059S0100101/Up	Koh M8ST-PS301609 (1)	8	20"	(4) Reverse - Sears
15019S	15019S0100101/Up	Koh M8ST-PS301609 (1)	8	20"	(4) Reverse - Sears
1994 <u>MINI TILLER</u>					
12001	120010100101/Up	Tec TC200-2106(2)	1.5	6.9	Troy-Bilt
<u>TUFFY</u>					
12060	120600100101/Up	Tec H30-353875	3	14"	1 Spd - No Reverse
12060S	120600100101/Up	Tec H30-353875	3	14"	1 Spd - No Reverse - Sears
<u>O.P.C. JR.</u>					
15006	150060100101/Up	Tec HS40-55580K	4	14"	(4)
15006S	15006S0100101/Up	Tec HS40-55580K	4	14"	(4) Sears
15021S	15021S0100101/UP	Tec HS40-55580K	4	14"	(4) Sears
<u>O.P.C. PONY</u>					
15008	150080100101/Up	B & S 130292-3016	5	16"	(4)
15008S	15008S0100101/Up	B & S 130292-3016	5	16"	(4) Sears
15009	150090100101/Up	B & S 130292-3016 (1)	5	16"	(4)
15020S	15020S0100101/Up	B & S 130292-3016	5	16"	(4) Sears
<u>O.P.C. ECONO</u> <u>HORSE</u>					
15010	150100100101/Up	Tec H60-75505P	6	18"	(4)
<u>O.P.C. PTO</u> <u>HORSE</u>					
12056	120560100101/Up	B & S 171432-0534	7	20"	(4) Reverse
12068	120680100101/Up	B & S 171432-0534	7	20"	(4) Reverse
12057	120570100101/Up	B & S 171432-0534 (1)	7	20"	(4) Reverse
12069	120690100101/Up	B & S 171432-0534	7	20"	(4) Reverse
12058	120580100101/Up	Koh M8T-PS301608	8	20"	(4) Reverse
12070	120700100101/Up	Koh M8T-PS301608	8	20"	(4) Reverse
12059	120590100101/Up	Koh M8ST-PS301609 (1)	8	20"	(4) Reverse
12071	120710100101/Up	Koh M8ST-PS301609 (1)	8	20"	(4) Reverse
12059S	12059S0100101/Up	Koh M8ST-PS301609 (1)	8	20"	(4) Reverse - Sears
12071S	12071 0100101/Up	Koh M8ST-PS301609 (1)	8	20"	(4) Reverse - Sears
12074	120740100101/Up	B & S 196432-0163	8	20"	(4) Reverse - Sears
12075	120750100101/Up	B & S 196437-013401	8	20"	(4) Reverse - Sears
15019S	15019S0100101/Up	Koh M8ST-PS301609 (1)	8	20"	(4) Reverse - Sears

Footnotes: Page 130

ROTARY TILLER MODELS AND SPECIFICATIONS (CONT'D)

SKU/ Model	Serial Number	Engine Model & Type	HP	Till Width	Remarks
1995					
<u>MINI TILLER</u>					
12001	120010100101/Up	Tec TC200-2106 (2)	1.5	6.9"	
<u>TUFFY</u>					
12060	120600100101/Up	Tec H30-353875	3	14"	1 Spd - No Reverse
12060S	120600100101/Up	Tec H30-353875	3	14"	1 Spd - No Reverse - Sears
<u>O.P.C. JR.</u>					
15006	150060100101/Up	Tec HS40-55580K	4	14"	(4)
15006S	15006S0100101/Up	Tec HS40-55580K	4	14"	(4) Sears
<u>O.P.C. PONY</u>					
15008	150080100101/Up	B & S 130292-3016	5	16"	(4)
15008S	15008S0100101/Up	B & S 130292-3016	5	16"	(4) Sears
15009	150090100101/Up	B & S 130292-3016 (1)	5	16"	(4)
<u>O.P.C. ECONO</u>					
<u>HORSE</u>					
15010	150100100101/Up	Tec H60-75505P	6	18"	(4)
<u>O.P.C. PTO</u>					
<u>HORSE</u>					
12068	120680100101/Up	B & S 171432-0534	7	20"	(4) Reverse
12069	120690100101/Up	B & S 171432-0534	7	20"	(4) Reverse
12070	120700100101/Up	Koh M8T-PS301608	8	20"	(4) Reverse
12070S	12070S0100101/Up	Koh M8T-PS301608	8	20"	(4) Reverse - Sears
12071	120710100101/Up	Koh M8ST-PS301609 (1)	8	20"	(4) Reverse
12071S	12071S0100101/Up	Koh M8ST-PS301609 (1)	8	20"	(4) Reverse - Sears

1-Electric Start

2-2 Cycle

3-I.C. Engine

4- Operator Presence

5-Prod. Started 1970

SPEEDY HOE/MINI TILLER RPM

After the engine reaches operating temperature, make sure that the engine idle is at 2200 RPM. Also, check engine high (no load) RPM and adjust as necessary to 6000 RPM. The clutch should engage at 3200-3500 RPM.

ADDING OR CHANGING GEAR OIL

For *partial fill-ups* (a few ounces or less), use SAE 140, SAE 85W-90 weight gear oil with an API rating of GL-3, GL-4 or GL-5. For *full replacement*, use SAE 140 or SAE 85W-140 gear oil with an API rating of GL-4 only. (At the Factory, SAE 85W-140 weight gear oil is used.)

TILLER TRANSMISSION TUBE REPAIR

1. Disassemble the transmission. Wash thoroughly.
2. Send to : Troy-Bilt Customer Returns, 428 Hudson River Road, Waterford, NY 12188
3. Include name and phone number.
4. Transmission will be repaired and returned at no charge.
5. File warranty claim for labor, seals, gaskets and the shipping charges to Troy.

ROTARY TILLER ATTACHMENT INTERCHANGEABILITY*

Description	SKU/ Accessory No.	Tiller Model								
		Speedy Hoe	Mini Tiller	Roto-ette Cultivator Plus	Tuffy	Junior	Pony	Econo	Horse	PTO Horse
Aerator	H213925 1986001	X	X							
Border/Edger	H213931 1986000	X	X							
Bumper	1875 1932 11045 11071 12556 1901457				X	(2)	X	X	X	X
Chains - Tire Chipper/Shredder	9146 2009 47026								X	X X (6)
Dethatcher	H213914 1980927	X	X							
Dozer Blade	1407								X	X
Dozer/Bumper	1873								X	X
Furrower	10061			X						
Generator	2010									X
Hiller/Furrower	1317 1356 2638 20868					X	X	X	X	X
H/F - Row Marker	1850					X	X	X	X	X
H/F - Row Marker	1851					X	X	X		
Kickstand	1931									X
Logsplitter	11377									X
Row Marker	1832					X	X	X	X	X
Saddlebag/ Tool Pouch	1945								X	X
Service Pkg - 5HP	4924						X	(3)		
Kohler - 8HP	10540					X				X
Tec - 3.5HP	11538							X		
Tec - 6HP	1901798							X		
Tec - 7HP	11024								X	X
B & S - 7HP	11380								X	X
Tec - 3HP	11446				X					
Tec - 1.5HP	11098	X								
B & S - 5HP	11535									
Tec - 1.5HP	1981319		X			X	(5)			
Snowthrower	60225			(1)						
Sod Point	1307								X	X
Tiller Cover	1446 20452						X	X	X	X
Tines - Bolo	1901118 1348 5013 1901 10802			X	X	X	X	X	X	X
- Hard Faced					X	X	X	X	X	X
Tine Cradle	2007									X
Tow Hitch	2004									X
Power Edger	10081			X						
V-Sweep Cultivator	2003									X
Wheels - Transport	H214074 1986002	X	X							
Weights - Wheel - Frame	10185 55067				X				X	X
Wrench - PTO	2005									X

Footnotes: Page 132

ROTARY TILLER ATTACHMENT INTERCHANGEABILITY (CON'T)

*NOTE: Check Accessory or Sales Price List for availability. 1 - Fits model 60250 only (modified). 2 - Serial M67999 & up. 3 - Serial S132875 - S198078. 4 - Serial S198487 - 242649. 5 - Serial #S242650 & up. 6 - Cannot be sold as an attachment for tillers that are not equipped with Operator Presence Controls. The shredder attachment is not fully functional on tillers NOT equipped with OPC (serial #856000 and lower). This situation involves safety.

BRUSHCUTTER IDENTIFICATION

Brushcutter/Power Scythe

MODEL/SN



3

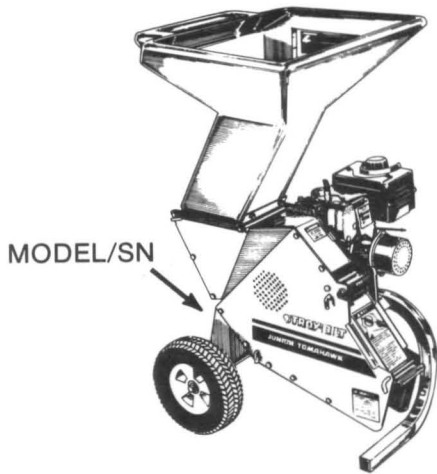
BRUSHCUTTER MODELS AND SPECIFICATIONS

SKU/Model	Serial No.	Engine Model & Type	H.P.	Remarks
1985 - Present Power Scythe				
4989 (1985)	H1000-H7507	Tec TC-200-2001C (1)	1.6	Standard Equip. (all models) Mono Filament, Tri Kut & Brush Blade
10788 (1986)	H007508-H010507	Tec TC-200-2001C (1)	1.6	
11069 (1987 & Later)	H110508/Up	Tec TC-200-2001C (1)	1.6	Optional Equip.
52025		Tec TC-200-2001C (1)	1.6	H212090-8" Tri Cut Blade H211519- Monofilament Head H213485- Slash Head H214190-9" Brush Blade

1 - 2 Cycle

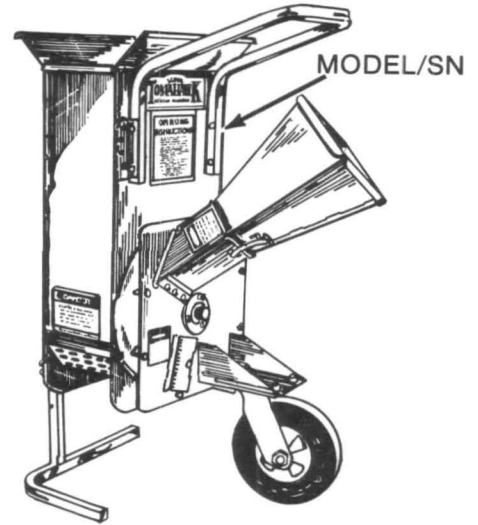
CHIPPER/SHREDDER IDENTIFICATION

Junior™ TOMAHAWK



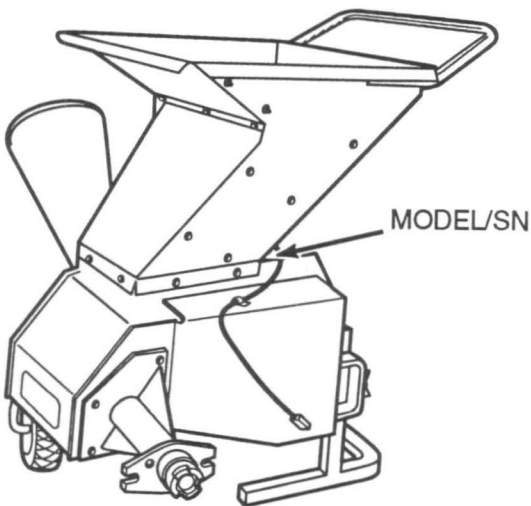
(Attachments - Page 140)

PTO TOMAHAWK®



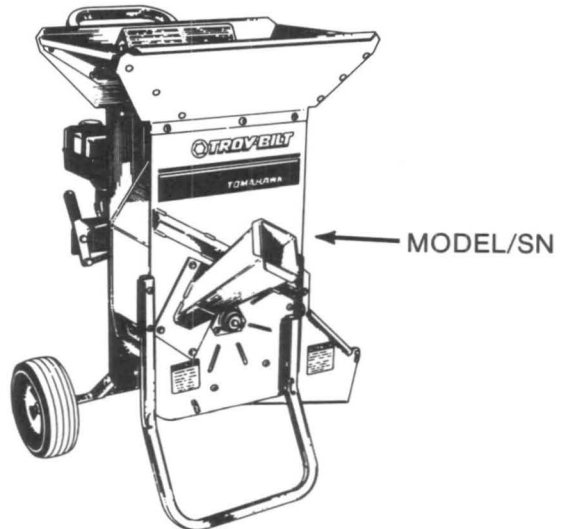
(Attachments - Page 140)

TROY-BILT® PTO



(Attachments - Page 141)

TOMAHAWK®

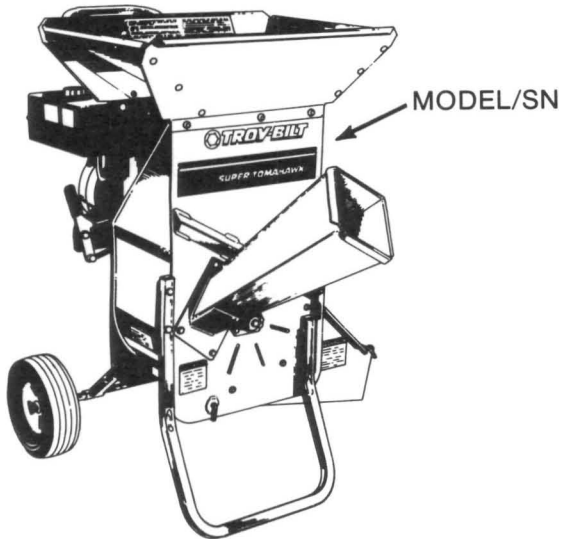


(Attachments - Page 140)

4

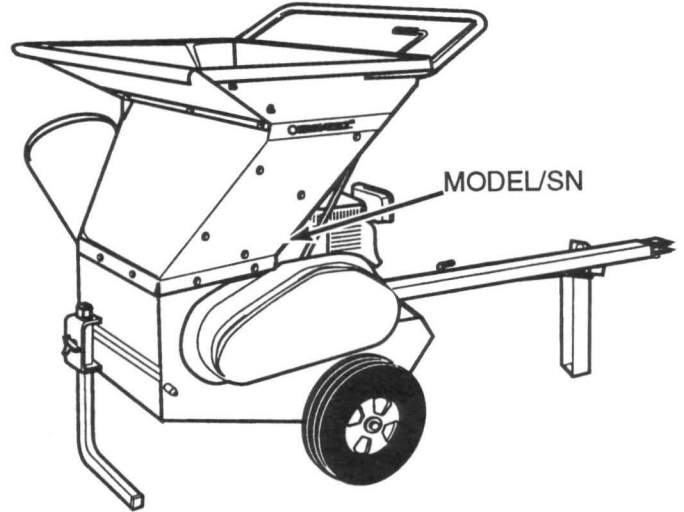
CHIPPER/SHREDDER IDENTIFICATION (CONT'D)

SUPER TOMAHAWK®



(Attachments - Page 140)

TROY-BILT® TOW BEHIND



(Attachments - Page 141)

4

CHIPPER/SHREDDER MODELS AND SPECIFICATIONS

SKU/Model	Serial Number	Engine Model & Type	HP	Chamber	Remarks
1983					
<u>TOMAHAWK I</u>					
5-8-2G/C (4)	840083/Up	B & S 130232-1536 Tec H50-65484N	5	8"	(3) Green - Market Test - Centrifugal Clutch (Both Models)
5-8-2G/M	840083/Up	B & S 130232-1536 Tec H50-6548N	5	8"	
1984					
<u>TOMAHAWK I</u>					
5-8-2G/C (4)	To/843153	B & S 130232-1536 Tec H50-65484N	5	8"	(3) Green - Market Test - Centrifugal Clutch (Both Models)
5-8-2G/M	To/843153	B & S 130232-1536 Tec H50-6548N	5	8"	
<u>SUPER TOMAHAWK I</u>					
4979	843154/Up	Tec H50-65499P	5	8"	First low base mounted engine & lever type belt clutch. (All Models)
4979M	W500285/Up	Tec H50-65499P	5	8"	
4980	W500000/Up	Tec H50-65499P	5	8"	
4990	W800000/Up	B & S 190402-3020	8	8"	
1985					
<u>PTO TOMAHAWK I</u>					
2009	W100000-W101149			8"	Pro Horse Attach.
<u>PTO TOMAHAWK II</u>					
10656	W101150/Up			8"	PTO Horse Attach.
<u>SUPER TOMAHAWK I</u>					
4979	To/844163	Tec H50-65499P	5	8"	
4979M	To/W502630	Tec H50-65499P	5	8"	
4980	To/W502315	Tec H50-65499P	5	8"	
4990	To/W805024	B & S 190402-3020	8	8"	
<u>SUPER TOMAHAWK II</u>					
10633	W502631/Up	Tec H50-65499P	5	8"	
10634	W502631/Up	Tec H50-65509S (1)	5	8"	
10635	W805025/Up	B & S 190402-3020	8	8"	
10636	W805025/Up	B & S 190417 (1)	8	8"	
<u>SUPER TOMAHAWK III</u>					
10939	W503996/Up	Tec H50-65499P	5	8"	
10940	W503996/Up	Tec H50-65509S (1)	5	8"	
10941	W808960/Up	B & S 190402-3020	8	8"	
10942	W808960/Up	B & S 190417 (1)	8	8"	
1986					
<u>PTO TOMAHAWK II</u>					
10656	To/W101840			8"	PTO Horse Attach.
<u>PTO TOMAHAWK III</u>					
10943	W101841/UP			8"	PTO Horse Attach.

CHIPPER/SHREDDER MODELS AND SPECIFICATIONS (CONT'D)

SKU/Model	Serial Number	Engine Model & Type	HP	Chamber	Remarks
1986 SUPER TOMAHAWK II					
10633	To/W503995	Tec H50-65499P	5	8"	
10634	To/W503995	Tec H50-65509S (1)	5	8"	
10635	To/W808959	B & S 190402-3020	8	8"	
10636	To/W808959	B & S 190417 (1)	8	8"	
SUPER TOMAHAWK III					
10939	W503996/Up	Tec H50-65499P	5	8"	
10940	W503996/Up	Tec H50-65509S (1)	5	8"	
10941	W808960/Up	B & S 190402-3020	8	8"	
10942	W808960/Up	B & S 190417 (1)	8	8"	
1987 PTO TOMAHAWK III					
10943	To/W102264			8"	PTO Horse Attach.
PTO TOMAHAWK IV					
2011	W102265/Up			8"	PTO Horse Attach.
TOMAHAWK II					
11360	W300100/Up	Tec H35-45613R	3.5	8"	
SUPER TOMAHAWK III					
10939	To/W507172	Tec H50-65499P	5	8"	
10940	To/W507172	Tec H50-65509S (1)	5	8"	
10941	To/W817649	B & S 190402-3020	8	8"	
10942	To/W817649	B & S 190417 (1)	8	8"	
SUPER TOMAHAWK IV					
11085	W507173/Up	Tec H50-65499P	5	10"	
11086	W507173/Up	Tec H50-65509S (1)	5	10"	
11087	W817650/Up	B & S 190402-3020	8	10"	
11088	W817650/Up	B & S 190417 (1)	8	10"	
1988 JUNIOR TOMAHAWK					
4634	B010000/Up	Tec H35-45620S	3	4"	Direct Drive
PTO TOMAHAWK IV					
2011	W102265/Up			8"	PTO Horse Attach.
TOMAHAWK II					
11360	To/W301976	Tec H35-45613R	3.5	8"	
TOMAHAWK III					
11427	W400100/Up	Tec HS40-55568K	4	8"	
11428	W400100/Up	Tec HS40-55569K (1)	4	8"	
SUPER TOMAHAWK IV					
11085	To/W550078	Tec H50-65499P	5	10"	
11086	To/W510078	Tec H50-65509S (1)	5	10"	
11087	To/W825087	B & S 190402-3020	8	10"	
11088	To/W825087	B & S 190417 (1)	8	10"	

4

Footnotes: Page 139

CHIPPER/SHREDDER MODELS AND SPECIFICATIONS (CONT'D)

SKU/Model	Serial Number	Engine Model & Type	HP	Chamber	Remarks
1988 Cont'd					
SUPER					
TOMAHAWK V					
11387	W510079 - W517024	Tec H50-65499P	5	10"	
11388	W510079 - W517024	Tec H50-65509S (1)	5	10"	
11389	W825088 - W836275	B & S 190402-3020	8	10"	
11390	W825088 - W836275	B & S 190417 (1)	8	10"	
11478	W825088 - W836275	B & S 195432-0881 (1)(2)	8	10"	
1989					
JUNIOR					
TOMAHAWK					
4634	To/B015003	Tec H35-45620S	3	4"	Direct Drive
4634T	B015004/Up	Tec H35-45620S	3	4"	Direct Drive
4634TS	B410001/Up	Tec H35-45620S	3	4"	Direct Drive
PTO					
TOMAHAWK IV					
2011	W102265/Up			8"	PTO Horse Attach.
TOMAHAWK III					
11427	To/W403144	Tec HS40-55568K	4	8"	
11428	To/W403144	Tec HS40-55569K (1)	4	8"	
TOMAHAWK IV					
15017	W403145-W404561	Tec HS40-55568K	4	8"	
15018	W403145-W404561	Tec HS40-55569K (1)	4	8"	
15028	T1100100/Up	Tec HS40-55568K	4	8"	
15028S	T2100100/Up	Tec HS40-55568K	4	8"	Sears
15029	T3100100/Up	Tec HS40-55569K (1)	4	8"	
SUPER					
TOMAHAWK V					
11387	To/W517024	Tec H50-65499P	5	10"	
11388	To/W517024	Tec H50-65509S (1)	5	10"	
11389	To/W836275	B & S 190402-3020	8	10"	
11390	To/W836275	B & S 190417 (1)	8	10"	
11478	To/W836275	B & S 195437-0862 (1)(2)	8	10"	
SUPER					
TOMAHAWK VI					
15012	W517025 - W517804	Tec H50-65548S	5	10"	
15013	W517025 - W517804	Tec H50-65549S (1)	5	10"	
15014	W836276 - W836596	B & S 190402-3020	8	10"	
15014	W836276 - W836596	B & S 190402-3020	8	10"	Sears
15015	W836276 - W836569	B & S 190417 (1)	8	10"	
15016	W836743 - W847833	B & S 195437-0881 (1)(2)	8	10"	
1990					
JUNIOR					
TOMAHAWK					
4634T	B015004/Up	Tec H35-45620S	3	4"	Direct Drive
4634TS	B410001/Up	Tec H35-45620S	3	4"	Direct Drive - Sears
PTO					
TOMAHAWK IV					
2011	W102265/Up			8"	PTO Horse Attach.
TOMAHAWK IV					
15028	T1100100/Up	Tec HS40-55568K	4	8"	
15028S	T2100100/Up	Tec HS45-55568K	4	8"	Sears
15029	T3100100/Up	Tec HS40-55569K (1)	4	8"	

Footnotes: Page 139

CHIPPER/SHREDDER MODELS AND SPECIFICATIONS (CONT'D)

SKU/Model	Serial Number	Engine Model & Type	HP	Chamber	Remarks
1990 Cont'd					
SUPER					
TOMAHAWK VI					
15012	T3300100/Up	Tec H50-655548S	5	10"	
15013	T3500100/Up	Tec H50-655549S (1)	5	10"	
15014	To/T3702399	B & S 190402-3020	8	10"	
15014S	T3900100/Up	B & S 190402-3020	8	10"	Sears
15015	To/T4100437	B & S 190417 (1)	8	10"	
15016	T4500100/Up	B & S 195437-0881 (1)(2)	8	10"	
47251	T4300100/Up	B & S 195437-0881 (2)	8	10"	Repl. 15014
1991					
JUNIOR					
TOMAHAWK					
4634T	B015004/Up	Tec HS35-45620S	3	4"	Direct Drive
4634TS	B410001/Up	Tec HS35-45620S	3	4"	Direct Drive - Sears
PTO					
TOMAHAWK IV					
2011	W102265/Up			8"	PTO Horse Attach.
TOMAHAWK IV					
15028	T1100100 - T1105022	Tec HS40-55568K	4	8"	
15028S	T2100100 - T2100926	Tec HS45-55568K	4	8"	Sears
15029	T3100100 - T3100744	Tec HS40-55569K (1)	4	8"	
TOMAHAWK V					
47254	T5000100 - T5001009	Tec H340-55568K	4	8"	
SUPER					
TOMAHAWK VI					
15012	To/T3305800	Tec H50-65548S	5	10"	
15013	To/T351730	Tec H50-65549S (1)	5	10"	
15014S	To/T3902554	B & S 190402-3020	8	10"	Sears
15016	To/T4306690	B & S 195437-0862 (1)(2)	8	10"	
47251	To/T4506316	B & S 195437-0881 (2)	8	10"	Repl. 15014
1992					
JUNIOR					
TOMAHAWK					
4634T	B015004/Up	Tec HS35-45620S	3	4"	Direct Drive
4634TS	B410001/Up	Tec HS35-45620S	3	4"	Direct Drive - Sears
TOMAHAWK V					
47254	472540100100/Up	Tec HS40-55568K	4	8"	
SUPER					
TOMAHAWK VII					
47255	T5100101/Up	Tec H50-65548S	5	10"	
47256	T5200101/Up	Tec H50-65549S (1)	5	10"	
47257	T5300101/Up	B & S 190402-3020	8	10"	Sears
47258	T5500101/Up	B & S 195437-0862 (1)(2)	8	10"	
47250	T5400101/Up	B & S 195437-0881 (1)	8	10"	Repl. 15014
1993					
JUNIOR					
TOMAHAWK					
4634T	To/B017971	Tec HS35-45620S	3	4"	Direct Drive
4634TS	To/B413101	Tec HS35-45620S	3	4"	Direct Drive - Sears

4

Footnotes: Page 139

CHIPPER/SHREDDER MODELS AND SPECIFICATIONS (CONT'D)

SKU/Model	Serial Number	Engine Model & Type	HP	Chamber	Remarks
1993 Cont'd					
<u>PTO</u>					
47026	470260100101/Up			9"	*PTO Horse Attachment
<u>TOMAHAWK V</u>					
47254	To/472540100819	Tec HS40-55568K	4	8"	
<u>TOMAHAWK VI</u>					
47276	472760100101/Up	Tec H50-65548S	5		
<u>SUPER</u>					
<u>TOMAHAWK VII</u>					
47265	472650100101/Up	B & S 190402-3020	8	10"	Sears
47266	472660100101/Up	B & S 195437-0881	8	10"	
47267	472670100101/Up	B & S 195437-0862 (1)(2)	8	10"	
<u>TOW BEHIND</u>					
47024	470240100101	Tec HM100-159220 (1)	10	13"	
1994					
<u>PTO</u>					
47026	470260100101/Up			9"	*PTO Horse Attachment
<u>TOMAHAWK VI</u>					
47276	472760100101/Up	<i>Tec H50-65548S</i>	5	8"	
47285	472850100101/Up	<i>B & S 190402-3020</i>	8	8"	
<u>SUPER</u>					
<u>TOMAHAWK VII</u>					
47265	472650100101/Up	<i>B & S 190402-3020</i>	8	10"	Sears
47266	472660100101/Up	<i>B & S 195437-0881 (2)</i>	8	10"	
47267	472670100101/Up	<i>B & S 195437-0862 (1)(2)</i>	8	10"	
<u>TOW BEHIND</u>					
47024	470240100101	<i>Tec HM100-159220 (1)</i>	10	13"	
1995					
<u>PTO</u>					
47026	470260100101/Up			9"	*PTO Horse Attachment
<u>TOMAHAWK</u>					
47285	472850100101/Up	<i>B & S 190402-3020</i>	8	8"	
<u>SUPER</u>					
<u>TOMAHAWK</u>					
47265	472650100101/Up	<i>B & S 190402-3020</i>	8	10"	Sears
47266	472660100101/Up	<i>B & S 195437-0881 (2)</i>	8	10"	
47267	472670100101/Up	<i>B & S 195437-0862 (1)(2)</i>	8	10"	
<u>TOW BEHIND</u>					
47024	470240100101	<i>Tec HM100-159220 (1)</i>	10	13"	

1 - Electric Start 2 - I.C. Engine 3 - WW 4 - Super Tomahawk

*Cannot be sold as an attachment for tillers that are not equipped with Operator Presence Controls. The shredder attachment is not fully functional on tillers NOT equipped with OPC (serial #856000 and lower). This situation involves safety related functions.

TOMAHAWK
CHIPPER/SHREDDER ATTACHMENT INTERCHANGEABILITY*

Description	SKU/ Accessory No.	Tomahawk Model															
		JR	PTO I	TOM I	TOM II	TOM III	TOM IV	TOM V	TOM VI	SUP I	SUP II	SUP IV	SUP V	SUP VI	SUP VII	SUP VIII	
Bar Grate	5002 11359 11575K 11576K		IV X	X	X	X	X	X	X	X	X	X	X	X	X	X	
Collection Bag	10545 11443 11484 11501	X	X	X	X	X	X	X	X	X	X	X	X	X	X	X	
Cover	11520		X	X	X	X	X	X	X	X	X	X	X	X	X	X	
Discharge Screen 3/8"	11487 11489 11529K 11531K		X	X	X	X	X	X	X	X	X	X	X	X	X	X	
1"	11485K 11488 11490 11530K 11532K 11573K 11574K	X	X	X	X	X	X	X	X	X	X	X	X	X	X	X	
Goggles	1756954	X	X	X	X	X	X	X	X	X	X	X	X	X	X	X	
Leaf Tray	10543 11353		X	X	X	X	X	X	X	X	X	X	X	X	X	X	
Service Pkg 3HP 5HP 8HP 4 & 5HP 4 & 5HP 5HP 8HP (I/C) 8HP (I/C) 8HP	11463 10974 10975 11311 11354 1900931 1901801 11479 1901802 1902227	X	X	X	X	X	X	X	X	X	X	X	X	X	X	X	
Tamper	11523 11524 11525	X	X	X	X	X	X	X	X	X	X	X	X	X	X	X	
Tow Bar	10984		X	X	X	X	X	X	X	X	X	X	X	X	X	X	

4

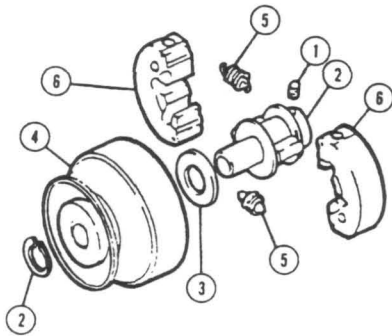
TROY-BILT
CHIPPER/SHREDDER ATTACHMENT INTERCHANGEABILITY*

Description	SKU/ Accessory No.	Troy-Bilt Model	
		47024 TOW BEHIND	47026 PTO
Bar Grate	1762668 1763534	X	X
Discharge Screen 3/8"	1762664 1763530	X	X
3/4"	1763531 1762665	X	X
1"	1762666 1763532	X	X
1-3/4"	1762667 1763533	X	X
Goggles	1756954	X	X
Service Pkg.	1767412	X	
Tamper	1763008	X	X

*NOTE: Check Accessory or Sales Price List for availability.

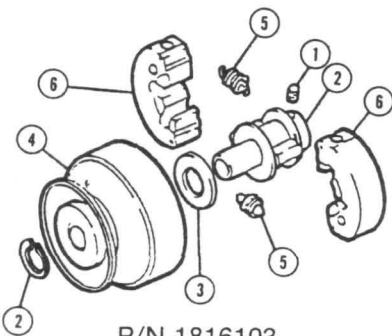
4

CHIPPER/SHREDDER CLUTCH
(Early Models)



P/N 1816024

Ref #	Part #	Description	Qty.
1	1816146	Clutch Set Screw	1
2	1816147	Clutch Snap Ring 3/4".....	1
3	1816149	Clutch Washer 3/4".....	1
4	1816150	Clutch Drum w/Bushing 3/4".....	1
5	1816152	Clutch Spring - Red	2
6	1816153	Clutch Shoe 3/4".....	2
7	1816154	Clutch Hub 3/4".....	1

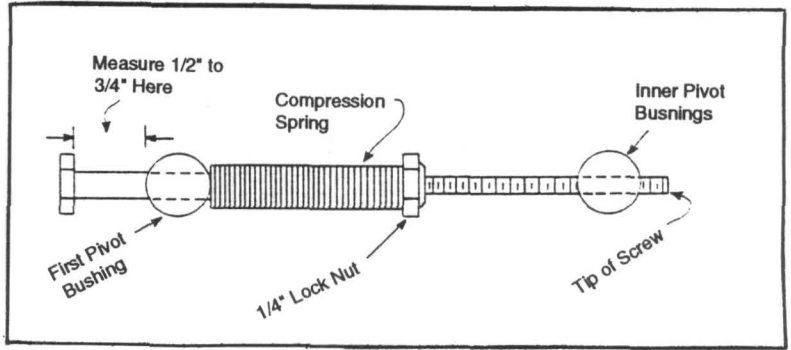


P/N 1816103

Ref #	Part #	Description	Qty.
1	1816146	Clutch Set Screw	1
2	1816148	Clutch Snap Ring.....	1
3	1816145	Clutch Washer 1".....	1
4	1816151	Clutch Drum w/Bushing	1
5	1816152	Clutch Spring - Red	2
6	1816153	Clutch Shoe	2
7	1816155	Clutch Hub 1".....	1

**CHIPPER/SHREDDER
BELT TENSION CHECK
(Engage Lever Models)**

The tension mechanism is self-adjusting. When the belt is new, the gap is 3/4". As the belt wears over time, this distance will gradually decrease. If the gap ever decreases to less than 1/4", adjust the bolt to make the gap approximately 3/8". Turn it counter clockwise. Once an adjustment needs to be made, it is advisable from there on in to check this gap more frequently (every season), and if another adjustment is ever needed, the belt should be replaced at that time.



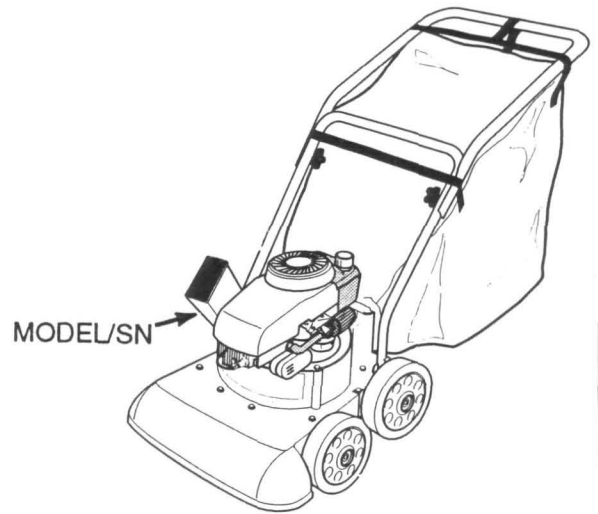
CHIPPER/VAC IDENTIFICATION

GARDEN WAY®



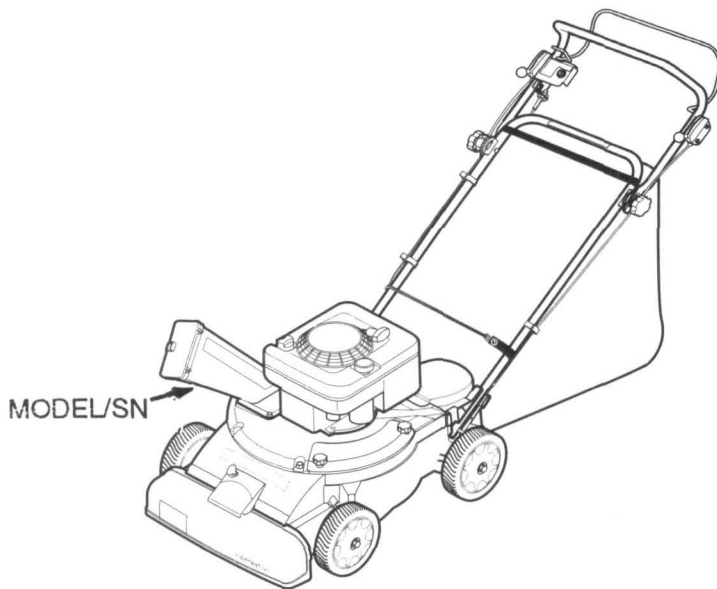
(Attachments - Page 143)

TROY-BILT II



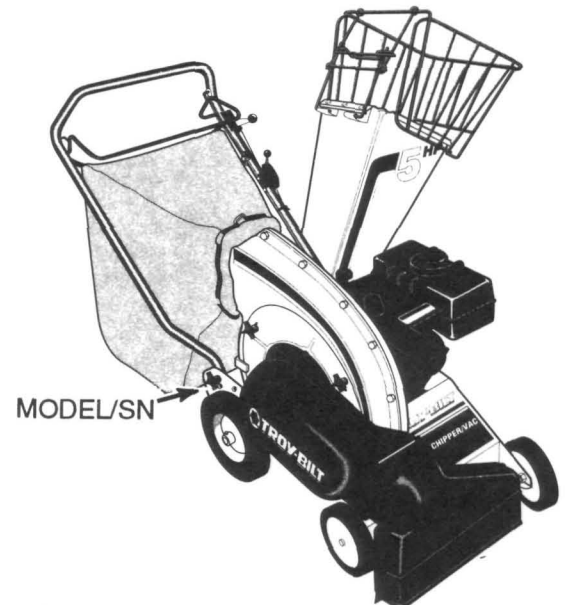
(Attachments - Page 143)

TROY-BILT PLUS



(Attachments - Page 143)

TROY-BILT PRO



(Attachments - Page 143)

5

CHIPPER/VAC MODELS AND SPECIFICATIONS

SKU/Model	Serial Number	Engine Model & Type	HP	Remarks
1992				
47021	470210100101/Up	Tec TVS105-53181J	4	Garden Way
47260	472600100101/Up	Tec HS40-55602K	4	
47261	472610100101/Up	Tec H50-65578T	5	Self Propelled
1993				
47021	470210200101/Up	Tec TVS115-56013A	4	Garden Way
47278	472780100101/Up	Tec HS40-55602K	4	
47279	472790100101/Up	Tec H50-65582T	5	Self Propelled
1994				
47021	470210100101/Up	Tec TVS105-53181J	4	Garden Way
47031	470310100101/Up	Tec TVS115-56013A	4	Garden Way
47035	470350100101/Up	Tec TVS115-68804A	5	Troy-Bilt
47278	472780100101/Up	Tec H50-65578T	4	
47282	472820100101/Up	Tec H50-65582T	5	Self Propelled-3 spd. no park
47286	472860100101/Up	B & S 192432-0122	8	Pro
47287	472870100101/Up	B & S 192437-0125 (1)	8	Pro
47291	472910100101/Up	B & S 124707-3261	5	Plus
47292	472920100101/Up	B & S 124702-3262 (1)	5	Plus
1995				
47035	470350100101/Up	Tec TVS115-61804B	4.5	Troy-Bilt
47286	472860100101/Up	B & S 192432-0122	8	Pro
47287	472870100101/Up	B & S 192437-0125 (1)	8	Pro
47291	472910100101/Up	B & S 12F707-0611	5	Plus
47292	472920100101/Up	B & S 12F702-0610 (1)	5	Plus

(1) Electric Start

CHIPPER/VAC ATTACHMENT INTERCHANGEABILITY*

Description	SKU/ Accessory No.	47021	47035	47260	47261	47278	47282	47286 47287 47291 47292
<i>Inlet Cap</i>	47753 1901112			X	X	X	X	(1)
<i>Hose Kit</i>	47752 47757 1765861 1768675 1901111		X	X	X	X	X	(1) (2)
<i>Screen (Opt.) 3/4</i>	47751 1901116			X	X	X	X	(1)
<i>Service Pkg - 4HP</i> <i>- 5HP</i> <i>- 8HP</i> <i>- 5HP</i>	1901115 1901153 1763354 1902416 1902651	X		X	X	X	X	(1) (2)
<i>Rake-In Tray</i>	47755 1901114			X	X	X	X	(1)
<i>Vacuum Snout</i>	47754 1901113			X	X	X	X	(1)
<i>Trailing Flap</i>	1901258			X	X	X	X	

*NOTE: Check Accessory or Sales Price List for availability.

1- Pro Model 2- Plus Model

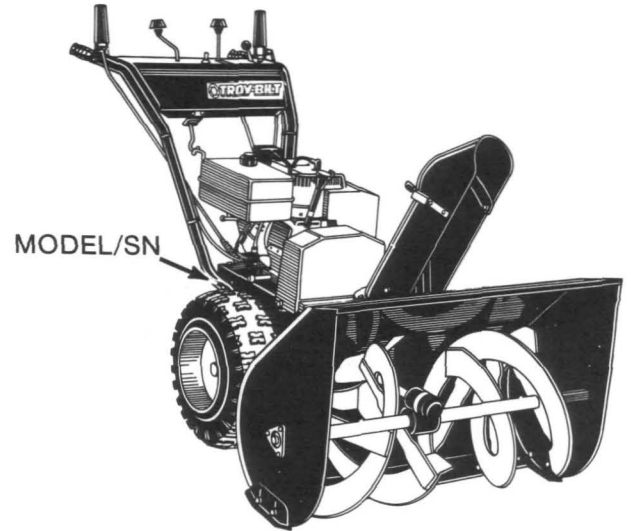
SNOWTHROWER IDENTIFICATION

MID FRAME

LARGE FRAME



(Attachments - Below)



(Attachments - Below)

SNOWTHROWER MODELS AND SPECIFICATIONS

SKU/ Model	Serial Number	Engine Model & Type	H.P.	Width	Remarks
1990 - 1991					
826R (1990)	B250100101 & Up	Tec HMSK80-155282L	8	26"	Two Stage w/Diff. & Alternator
5210R	B270100101 & Up	Tec HSSK50-67257F	5	21"	Two Stage
5210RS	B350100101 & Up	Tec HSSK50-67257F	5	21"	Two Stage - Sears
1992 - 1993					
42000	B570100101 & Up	Tec HS50-67323K	5	21"	Two Stage
1994 - 1995					
42000	420000100101 & Up	Tec HS50-67323K	5	21"	Two Stage
42010	420100100101 & Up	Tec HMSK80-15528SL	8	24"	Two Stage, Two Speed Rev.
42012	420120100101 & Up	Tec HMSK100-159102K	10	26"	Two Stage, Two Speed Rev.
42013 (1995)	420130100101 & Up	Tec HSSK40-55610S	4	21"	Two Stage, w/Auger Drive

SNOWTHROWER ATTACHMENT INTERCHANGEABILITY*

	SKU/ Accessory No.	Snowthrower Model	
		826R 42010 42012	5210RS 42000 42013
Description			
<i>Cab</i>	6931R	X	
	42500	X	
Drift Slicer	1720887001	X	X
Light Assy.	1745785	X	
Starter Kit - 110 Volt	6848	X	X
	B6878		X
Tire Chains (F/4.10/3.50x4)	1756276		X
(F/4.80/4.00x8)	1756278	X	

*NOTE: Check Accessory or Sales Price List for availability.

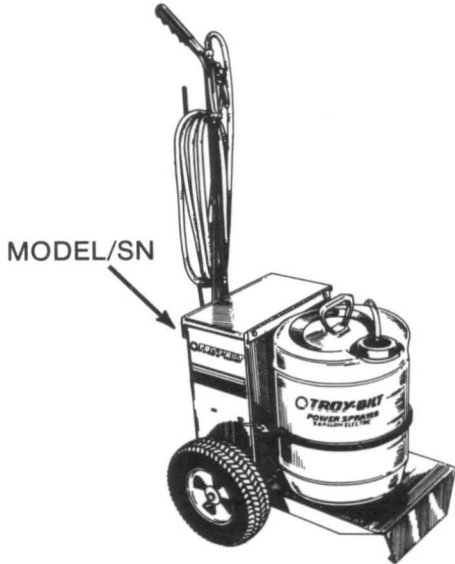
SNOWTHROWER ENGINE RPM FULL THROTTLE (NO LOAD)

MID FRAME TWO STAGE		LARGE FRAME TWO STAGE	
H.P.	RPM	H.P.	RPM
5.0	3600	8.0	3600
4.0	3600	10.0	3600

6

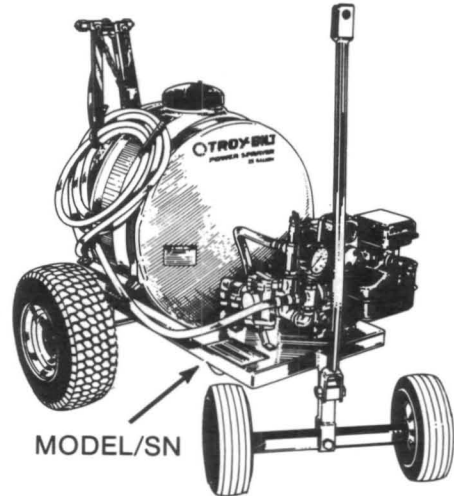
SPRAYER IDENTIFICATION

5 GALLON ELECTRIC



(Attachments - Page 146)

25 GALLON GAS



(Attachments - Page 146)

7

SPRAYER MODELS AND SPECIFICATIONS

SKU/Model	Serial No.	Engine Model & Type	H.P.	Gallon	Remarks
1986 - 1987					
Sprayer					
11336	78763-204012	Electric (12 volt battery)		5	Spot Shot Brand
Sprayer I					
10794	S002082/Up	Electric (12 volt battery)		5	GW Brand
15025	S007569/Up	Electric (12 volt battery)		5	GW Brand - Shur Flow Pump
1988					
Sprayer I					
10794	S002082/Up	Electric (12 volt battery)		5	GW Brand
15025	S007569/Up	Electric (12 volt battery)		5	GW Brand - Shur Flow Pump
11356	W0001000/Up	B & S	3	25	WW Brand - Incl. options
11385	W0001000/Up	B & S	3	25	GW Brand
Sprayer II					
11371	W0001000/Up	B & S	3	25	GW Brand

SPRAYER MODELS AND SPECIFICATIONS (CONT'D)

SKU/ Model	Serial Number	Engine Model & Type	HP	Gallon	Remarks
1989					
<u>Sprayer I</u>					
10794	Up to S007030	Electric (12 volt battery)		5	GW Brand
15025	Up to S007569	Electric (12 volt battery)		5	GW Brand - Shur Flow Pump
11356	Up to W0001486	B & S	3	25	WW Brand - Incl. Options
11385	Up to W0001486	B & S	3	25	GW Brand
<u>Sprayer II</u>					
11371	Up to W0001486	B & S	3	25	GW Brand
15032	S007570 & Up	Electric (12 volt battery)		5	TB Brand
<u>Sprayer III</u>					
15001	W1001487 - W1002245	B & S	3	25	WW Brand - Incl. Options
<u>Sprayer IV</u>					
15030	W002246 & Up	B & S	3	25	TB Brand
1990 - Present					
15032	S007570 & Up	Electric (12 volt battery)		5	TB Brand
15030	W002246 & Up	B & S	3	25	TB Brand

SPRAYER ATTACHMENT INTERCHANGEABILITY*

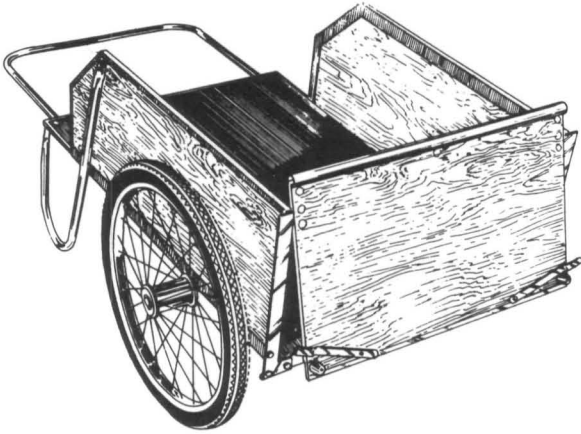
Description	SKU/ Accessory No.	Sprayer Model							
		I		II		III	IV	15030	15032
		Electric	Gas	Electric	Gas				
Spray Boom - 4 Nozzle	15031		X		X	X	X		
	41503		X		X	X	X	X	
Tank - 5 Gal.	15033	X		X					X

*NOTE: Check Accessory or Sales Price List for availability.

7

MISCELLANEOUS PRODUCT IDENTIFICATION

Carts

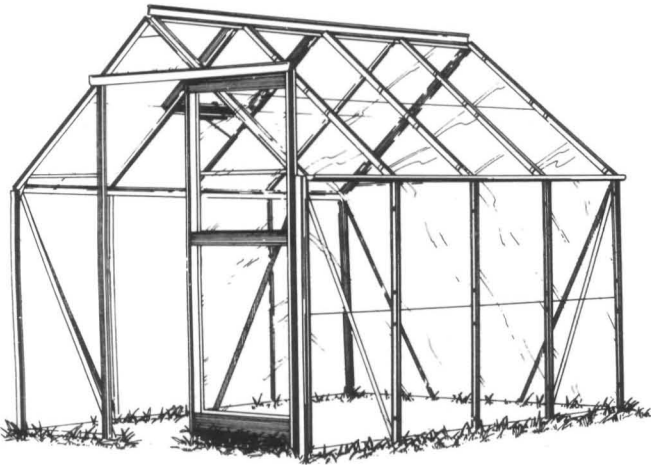


E-Z SPIN® Composter



(Attachments - Below)

ELITE® Greenhouse



(Attachments - Below)

MISCELLANEOUS PRODUCT MODELS AND SPECIFICATIONS*

SKU/Model	Description	Accessory No.	Remarks
52201	<i>Model 26 Cart (13 bushel)</i>		
52204	<i>Model 20 Cart (5 bushel)</i>		
54000	<i>E-Z Spin Composter</i>	10981	<i>Thermometer</i>
11450	<i>Elite Greenhouse (8'x6')</i>	11468	<i>Vent Opener</i>
15000	<i>Elite Greenhouse (12'x8')</i>	1900337	<i>Rain Water Kit</i>
		1900338	<i>Louver Window</i>
		1900339	<i>Window Opener - Automatic</i>
		1900340	<i>Std. Alloy Base - 8'x6'</i>
		1900341	<i>DLX Alloy Base - 8'x12'</i>
		1900342	<i>Alloy Shelf Unit</i>
		1900343	<i>Dbi. Stage Table</i>

*NOTE: Check Accessory or Sales Price List for availability.

8

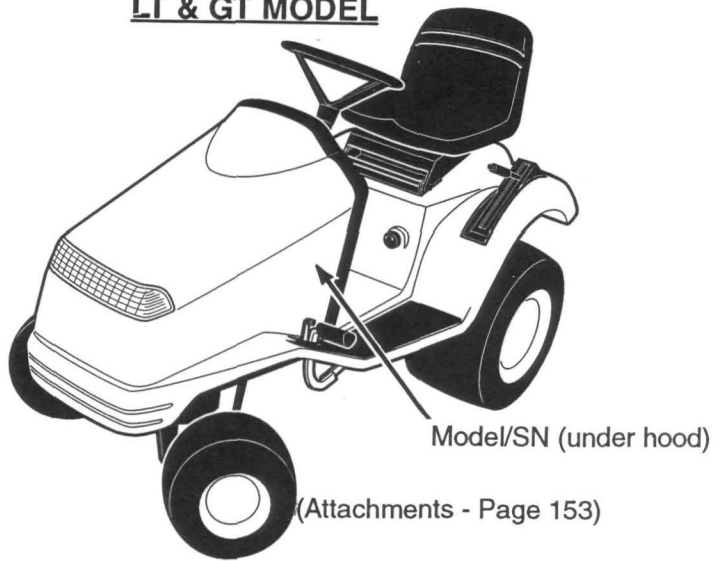
TRACTOR MODELS AND SPECIFICATIONS

SUBURBAN SERIES

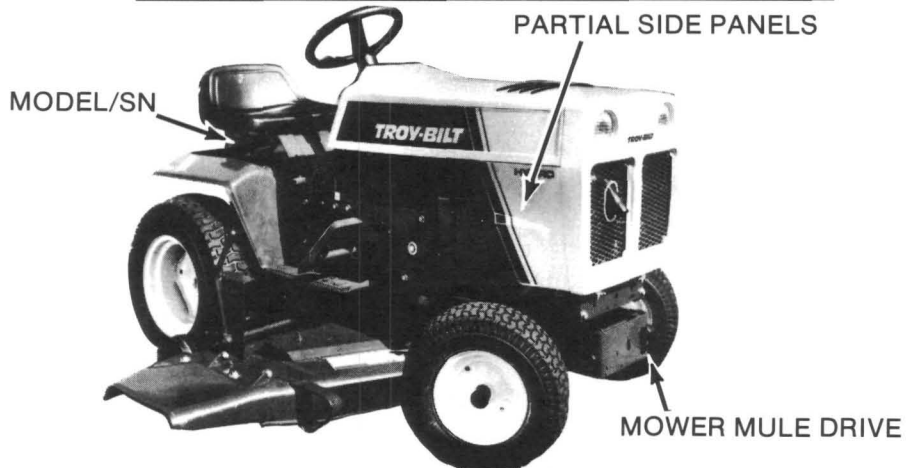


(Attachments - Page 151)

LT & GT MODEL



MEDIUM FRAME



(Attachments - Page 152)

5100 SERIES



(Attachments - Page 154)

TRACTOR MODELS AND SPECIFICATIONS

SKU/ Model	Serial No.	Engine Model & Type	H.P.	Transmission					Remarks
				Speeds	Eaton Hyd.*	Bolens	Peerless	Lube/Capacity	
1989									
1668R	B05010101 - B050199999	B & S 402447-1220-01	16		11	X		GF	(3)
3114GR	B03010101 - B030199999	B & S 400707-1205-01	14	5			X	AD	(2)
3114HR	B400100101 - B400199999	B & S 400707-1205-01	14		750			EG	(2)
3212GR	B010100101 - B010199999	B & S 281707-0127-01	12	5			X	AC	(1) (2)
3212HR	B020100101 - B020199999	B & S 281707-0127-01	12		750			EG	(2)
5118HR	B060200101 - B060299999	Kohler M18QS-24599	18		11	X		GF	(3)
1990									
3016HR	B360100101 - B360199999	B & S 402707-0160-01	16		750			EG	Sears
3016HRS	B370100101 - B370199999	B & S 402707-0160-01	16		750			EG	
3214GR	B030100202 - B030199999	B & S 400707-1205-01	14	5			X	AD	
3214HR	B040100101 - B040199999	B & S 400707-1205-01	14		750			EG	
3214HRS	B040100101 - B040199999	B & S 400707-1205-01	14		750			EG	Sears
3312GR	B010200101 - B010299999	B & S 281707-0127-01	12	5			X	AC	(1) (2)
3312GRS	B380100101 - B380199999	B & S 281707-0127-01	12	5			X	AC	(1) (2) Sears
3312HR	B020100101 - B020199999	B & S 281707-0127-02	12		750			EG	(2)
3312HRS	B390100101 - B390199999	B & S 281707-0127-02	12		750			EG	(2)
5118HR	B060200101 - B060299999	Kohler M18QS-24599	18		11	X		GF	(3)
1991									
3312GR	B010200101 - B010299999	B & S 281707-0127-01	12	5			X	AC	(1) (2)
3312GRS	B380100101 - B380199999	B & S 281707 - 0127-01	12	5			X	AC	(1) (2) Sears
3312HR	B020100101 - B020199999	B & S 281707-0127-02	12		750			EG	(2)
3312HRS	B390100101 - B390199999	B & S 281707-0127-02	12		750			EG	(2) Sears
1992									
13025	130250100101 - 130250199999	Kohler CV12.5S/PS1259	12.5	5			X	AC	(1) (2)
13026	130260100101 - 130260199999	Kohler CV12.5S/PS1259	12.5	5			X	AC	(1) (2) Sears
13027	130270100101 - 130270199999	Kohler CV14S/PS1444	14		751			EG	(2)
13028	130280100101 - 130280199999	Kohler CV14S/PS1444	14		751			EG	(2) Sears
1993									
13025	130250100101 - 130250199999	Kohler CV12.5S/PS1259	12.5	5			X	AC	(1) (2)
13026	130260100101 - 130260199999	Kohler CV12.5S/PS1259	12.5	5			X	AC	(1) (2) Sears
13027	130270100101 - 130270199999	Kohler CV14S/PS1444	14		751			EG	(2)
13028	130280100101 - 130280199999	Kohler CV14S/PS1444	14		751			EG	(2) Sears
13064	130640100101 - 130640199999	Kohler CV 12.5S/PS1259	12.5		751			EG	(3)
13065	130650100101 - 130650199999	B & S 294777-0015-02	14		751			EG	(4)
13066	130660100101 - 130660199999	B & S 303777-0017-02	16		751			EG	(4)
1994									
13025	130250100101 - 130250199999	Kohler CV12.5S/PS1259	12.5	5			X	AC	(1) (2) (3)
13039	130390100101 - 130390199999	B & S 303777-0333-03	16		851			HG	(3)
13040	130400100101 - 130400199999	B & S 350777-0117-01	18		851			HG	(3)
13053	130530100101 - 130530199999	B & S 28N707-0112-01	15	5			X	AD	
13060	130600100101 - 130600199999	Kohler M18QS-24599	18		11	X		FG	(3)
13062	130620100101 - 130620199999	Kohler M20QS-49565	20		11	X		BF	(3)
13064	130640100101 - 130640199999	Kohler CV12.5S.OS1259	12.5		751			EG	(3)
13065	130650100101 - 130650199999	B & S 294777-0015-02	14		751			EG	(4) (3)
13066	130660100101 - 130660199999	B & S 303777-0017-02	16		751			EG	(4) (3)
13078	130780100101 - 130780199999	B & S 303777-0333-03	16		851			HG	(5) (3)
13079	130790100101 - 130790199999	B & S 28N707-0112-01	15		650			G	(5)

Footnotes: Page 150

TRACTOR MODELS AND SPECIFICATIONS (CONT'D)

SKU/ Model	Serial No.	Engine Model & Type	H.P.	Transmission					Remarks
				Speeds	Eaton Hyd.*	Bolens	Peerless	Lube/Capacity	
<i>13074 18</i> <i>13076 20</i>									
1995									
13034	130340100101 - 130340199999	B & S 28M707-0115-01	13	5			X	AD	
13035	130350100101 - 130350199999	B & S 28M707-0115-01	13		650			G	
13036	130360100101 - 130360199999	B & S 28N707-0112-01	15		650			G	
13037	130370100101 - 130370199999	B & S 303777-033-03	16		650			G	(3) 4
13039	130390100101 - 130390199999	B & S 303777-0333-03	16		851			HG	(3) 4
13040	130400100101 - 130400199999	B & S 350777-0117-01	18		851			HG	(3) 4
13053	130530100101 - 130530199999	B & S 28N707-0112-01	15	5			X	AD	
13060	130600100101 - 130600199999	Kohler M18QS-24599	18		11	X		FG	(3)
13062	130620100101 - 130620199999	Kohler M20QS-49565	20		11	X		BF	(3)

- 1 - This unit is equipped with a non-tilling transmission. - (Tiller must not be used.)
- 2 - I.C. Engine C - 24 oz.
- 3 - Engine Pressure Lube & Filter D - 36 oz.
- 4 - Vanguard Engine E - 64 oz.
- 5 - World Cup Model F - 8 qts.
- * - Eaton Model Number G - 1768598 SAE 20 Motor/Hydro Oil (Gal)
- A - Bentonite Grease (Tec. 788067) H - 6 1/2 qts.
- B - Trans./Hydro Fluid

MISCELLANEOUS TRACTOR INFORMATION

(See Bolens Section)

	<u>Page</u>
Recommended Fluids for Hydrostatics	40
Electric Clutch Troubleshooting & Replacement Parts (Ogura)	41
Sundstrand	42
Eaton, Model 7 Breakdown	44
Eaton, Model 11, Breakdown	46
Eaton, Model 650 Breakdown	48
Eaton, Model 750 Breakdown	50
Eaton, Model 751 Breakdown	52
Eaton, Model 851 Breakdown	54

MISCELLANEOUS ATTACHMENT INFORMATION

(See Bolens Section)

	<u>Page</u>
PTO Quick-Latch Universal Locking Collar	57
Tiller Driveshafts	57
Belt Diagrams and Belt Information for Rotary Mowers	85
Mower Spindle Information	89

MISCELLANEOUS INFORMATION

(See Bolens Section)

	<u>Page</u>
Belt Sizes & Part Numbers	92
Tire, Chain and Tube Part Numbers	96
Peerless Transmission/Differential/Gear Box Numbers	97

SUBURBAN TRACTOR ATTACHMENT INTERCHANGEABILITY*

Description	SKU/ Model	3114GR	3016HR
		3114HR	3114HR
		3212GR	3212HR
		3214GR	3214HR
		3312GR	3312HR
		13025	13027
		13026	13028
			13064
			13065
			13066
Bagging Attachment -			
• PowerPacker (F/36" Mower)	14008	X	X
	30936R	X	X
• PowerPacker Plus (F/42" & 48" Mower) (Req. Cart Collector or 2 Bag Hopper)	14058	(2)	(2)
	30917R	(2)	(2)
• Cart Collector (Req. PowerPacker Plus)	14070	(2)	(2)
	30921R	(2)	(2)
• 2 Bag Hopper (Req. PowerPacker Plus)	30922R	(2)	(2)
Blade - 42" Mechanical Angle	14007	X	X
	30242R	X	X
Cab - Soft Side	30931	X	X
Dump Cart	14076	X	X
	14095	(6)	(6)
GRS Attachment (f/36" Mowers)	14012	X	X
	34500	X	X
(f/42" & 48" Mowers)	14011	(2)	(2)
	14032	(2)	(2)
	34501	(2)	(2)
Hour Meter Kit	1754550	X	X
Lift Kit - Manual	30909	(4)	(4)
- Electric	30900	X	X
Mower - 36" Side Discharge	14003	X	X
	31036SR	X	X
- 42" Side Discharge	14000	(2)	(2)
	14054	(2)	(2)
	30042SR	(2)	(2)
- 42" Rear Discharge	14056	(2)	(2)
- 48" Side Discharge	14055	(2)	(2)
Snowthrower - 38" Single Stage	14005	X	X
	30138R	X	X
- 38" Two Stage	30136R	(5)	(5)
Snowthrower Mounting Kit	30903	X	X
Storage Cover	14087	X	X
Tiller - 26" Rotary	14006	(1)	(1)
	30326R	(1)	(1)
Tire Chains (f/20x8.00x8.00)	1754989	X	X
Tire Chains (f/20x8.00-10)	1745130	X	X
Weights - Wheel (ea) 35 lbs. Rear Cast Iron	21741	(3)	(3)
Weights - Wheel (ea) 50 lbs. Rear Cast Iron	14090	X	X
	30902R	X	X
Weight - Drawbar	30915	X	X

Footnotes: Page 152

9

SUBURBAN TRACTOR ATTACHMENT INTERCHANGEABILITY* (Cont'd.)

*NOTE: Check Accessory or Sales Price List for availability.

X - Will fit without changes.

1 - Models 3212GR, 3312GR, 13025 & 13026 are equipped with a "no till" transmission - (Tiller must not be used.)

2 - Not for 12hp models - (Marginal Power).

3 - For 8" wheels only.

4 - Models 3212 GR & 3212 HR.

5 - Requires 14090 & 30903 (3212GR & 3212HR also requires 30909 Lift Kit) 30915 drawbar weight also recommended.

6 - World Cup graphics.

MEDIUM FRAME TRACTOR ATTACHMENT INTERCHANGEABILITY*

Description	SKU/ Model	1668HR
Bagging Attachment -		
• PowerPacker Plus (f/42" & 48" Mower) (Req. Cart Collector or 2 Bag Hopper)	14058	X
	30917R	X
• Cart Collector (Req. PowerPacker Plus)	14070	X
	30921R	X
• 2 Bag Hopper (Req. PowerPacker Plus)	14069	X
	50922R	X
Blade - 42" Mechanical Angle	18305	X
Blade - Angling Kit	1767251	X
Cab - Soft Side	14075	X
Dump Cart	14076	X
	14075	(1)
GRS Attachment (f/42" & 48" Mowers)	14011	X
	14032	X
	34501	X
Hitch - Sleeve Category	18330R	X
Mower - 42" Side Discharge	14023	X
- 48" Side Discharge	14024	X
	18301SR	X
PTO Kit (f/Tiller & Snowthrower)	18318R	X
Snowthrower - 38" Single Stage (Req. PTO Kit)	18311R	X
Storage Cover	14077	X
Tiller - 33" (Req. PTO Kit)	18322R	X
Tire Chains (f/23x10.50-12)	1721585	X
Weights - Wheel (ea) 50 lbs. Rear Cast Iron	14090	X
	30902R	X
- Wheel (ea) 50 lbs. Front Cast Iron	14091	X

*NOTE: Check Accessory or Sales Price List for availability.

X - Will fit without changes.

1 - World Cup Graphics

LT & GT TRACTOR ATTACHMENT INTERCHANGEABILITY

Description	SKU/ Model	13034	13039
		13035	13040
		13036	13053
		13037	13078(3)
		13079(3)	13078(3)
Ammeter Kit	1768854	X	X
Arm Rest Kit	1767977	(4)	X
Bagging Attachment -			
• PowerPacker Plus (f/42" & 48" Mower) (Req. Cart Collector or 2 Bag Hopper)	14058	(4)	X
• Cart Collector (Req. PowerPacker Plus)	14070	(4)	X
• 2 Bag Hopper (Req. PowerPacker Plus)	14081	(4)	X
Blade - 44" Mechanical Angle (Req. Push Arm)	14079	X	X
- 54" Mechanical Angle (Req. Push Arm)	14080		X
Cab - Soft Side (2)	14083	X	X
Cruise Control Kit	1767512		X(5)
Dump Cart	14076	X	X
	14095	(3)	(3)
GRS Attachment (f/42" & 48" Mowers)	14032	(4)	X
Hitch - Sleeve Category	14082		X
Hourmeter Kit	1768856	X	X
Lift Assist Kit	1767979	(6)	X
Mower - 38" Mulching	14049	X	
	14094		X
- 42" Side Discharge	14051	X	X
- 42" Rear Discharge	14060	X	X
- 48" Side Discharge	14052	(4)	X
Push Arm (f/Blade & Snowthrower)	14078	(1)	(1)
Snowthrower - 40" Two Stage (Req. Push Arm)	14037	(4)	X
- 38" Single Stage (Req. Push Arm)	14039	X	X
Storage Cover	14087	X	X
Tiller - 30" Rotary	14038	(4)	X
Tire/Wheel - Ag	14074		X
Tire Chains (f/20x8.00-10)	1745130	X	
(f/23x10.50-12)	1721585		X
Weights - Wheel (ea) 50 lbs. Front Cast Iron	14091		X
- Wheel (ea) 50 lbs. Rear Cast Iron	14090	X	X
Weight - Drawbar	30915	X	X

X - Will fit without changes.

1 - Sub Frame Kit includes gear drive "shift-on-the-fly" Lock out Kit 1768809.

2 - Order all parts from Femco (316) 241-3513.

3 - World Cup Graphics.

4 - Not for 13HP.

5 - 16HP Only.

6 13034 & 13035 Only.

9

5100 & GTX TRACTOR ATTACHMENT INTERCHANGEABILITY*

Description	SKU/ Model	5118HR 13060 13062
Arm Rest Kit	1767510	(1)
Bagging Attachment -		
• PowerPacker Plus (f/42" & 48" Mower) (Req. Cart Collector or 2 Bag Hopper)	14058 30917R	X X
• Cart Collector (Req. PowerPacker Plus)	14070 30921R	X X
• 2 Bag Hopper (Req. PowerPacker Plus)	14069 50922R	X X
Blade - 54" Hydraulic Angle (Req. Push Arm)	14064	(6)
- 54" Mechanical Angle (Req. Push Arm)	14068 19220R	X X
Blade Angling Kit (F/Mach. Angle Blade)	1767251	X
Cab - Soft Side	14075	X
Dump Cart	14076 14095	X (5)
GRS Attachment (f/42" & 48" Mowers)	14011 14032 34501	X X X
Hitch - Sleeve Category	14071 50961R	X X
- 3 Point Category "O"	14072	X
- Male Quick (f/14067 Push Arm)	1766549	X
Loader - Front End	14066	(1)
Mower - 42" Side Discharge	14025	X
- 48" Side Discharge	14026	X
- 48" Rear Discharge	14030 51048SR	X X
- 60" Side Discharge	14061 51060SR	X X
Push Arm (f/Blade & Snowthrower)	14067 14089 51965R	(2) (3) X
Snowthrower - 42" Single Stage (Req. Push Arm)	14062 50142R	X X
- 46" Two Stage (Req. Push Arm)	14063	(4)
Storage Cover	14077	X
Tiller - 33" Rotary	14065 51333R	X X
Tine & Hood Ext. - 8"	1767079	X
Tire Chains (f/23x10.50-12)	1721585	X
Tire Kit, Ag (23 x 10.50 -12)	14074	X
Weight Bumper (ea.) 35 lbs.	B1319	
Weights - Wheel (ea) 50 lbs. Rear Cast Iron	14090 30902R	X X
- Wheel (pr.) 70 lbs. Front Cast Iron	14091	X
Weight -Carrier (Req. 5 ea. 1319 Weights)	14073	X

*NOTE: Check Accessory or Sales Price List for availability.

X - Will fit without changes.

1 - Not for 5118HR

2 - Black pusharm f/blades (req. male quick hitch f/14063 snowthrower)

3 - With male quick hitch.

4 - With female quick hitch (req. push arm w/male quick hitch)

5 - World Cup Graphics

6 - Not for 5118H or 13060

9

SERVICE BULLETINS LISTED BY SUBJECT

<u>WARRANTY</u>	<u>NUMBER</u>	<u>SUBJECT</u>
None		
 <u>MISCELLANEOUS</u>		
	316	Resistor spark plug chart
	324	Parts shortage procedure
	348	Use of gasohol and unleaded fuel
 <u>WALKING MOWERS</u>		
Brushcutter	TB6-20-90 Vol. 1/6 & 1/7	Tecumseh Gas Cap
1990 22" Mulching Mowers	379	Single Height Adjuster
1990 22" Mulching Mowers	380	Briggs & Stratton Fuel Tanks
1994 21" Mulching Mowers	388	Drive Slippage
1994 High Wheel & Wide Cut	389	Drive Belt Failure
1994 High Wheel & Wide Cut	390	Plastic clogged blade pulley
1994 High Wheel & Wide Cut	391	Mower PTO Belt Failure
1994 High Wheel & Wide Cut	392	PTO Belt Failure
1994 21" Mulching Mowers	393	Drive Slippage
 <u>CHIPPER/SHREDDERS</u>		
Jr. Tomahawk	T101	Service Door
15016 Super Tomahawk	T102	Switch Kit
47024	383	<i>Belt Idler Spring</i>
47024, 47026	384	<i>Chute Failure</i>
 <u>TILLERS</u>		
Small Frame	TB6-20-90	Transmission Leaks
Cultivator	TB6-20-90 Vol 1/6 & 1/7	Tecumseh Gas Cap
PTO Horse	T103	Bearing Failure
 <u>SNOWTHROWERS</u>		
1990 Models	378	Drive Levers
42010 & 42012	385	<i>Drive Levers & Drift Slicers</i>
 <u>SUBURBAN SERIES TRACTORS</u>		
None		
 <u>TRACTOR ATTACHMENTS</u>		
50048R	362	PTO Driveshaft Length
34500 & 34501	381	1763632 GRS Gauge Wheel Kit
14011, 30912, 30917, 34501	382	<i>Double "D" Pulley Kit f/42" & 48" Mower</i>
14026 48" Mower	386	<i>PowerPacker Plus & GRS Fit-Up</i>
	31038R/14005 Snowthrower	387 <i>Drive Belt Failure</i>
	14051, 14052, 14060	391 <i>Drive Belt Failure</i>

NEWS LETTERS LISTED BY SUBJECT

<u>WARRANTY</u>	<u>DATE</u>	<u>SUBJECT</u>
Claims	5/13/92	Procedure
 <u>MISCELLANEOUS</u>		
Engines & Transmissions	3/14/83	Ordering Parts
Parts Plating	4/12/89	DI-Chromate Plating
Hydraulic Valve	5/15/91	Valve Repair Kit
Microfiche	5/13/92	Microfiche Mailing
Electric Clutch	5/7/93	Break-In Procedure
 <u>WALKING MOWERS</u>		
Battery	2/18/87	Electric Start Battery
Mulching Mowers	3/21/90	#1758427 Idler Arm/Spring Kit
Briggs & Stratton	8/31/90	Fuel Tank Recall on Quantum Engines
Briggs & Stratton	10/25/90	Fuel Tank Recall Update
Mulching Mowers	2/13/91	Height Adjuster Creep Down
Mulching Mowers	5/15/91	Replacement Engines
Mulching Mowers	5/13/92	Handle Bars
Mulching Mowers	7/9/82	Height Adjustment & Maintenance
<i>Mulching Mowers</i>	<i>5/7/93</i>	<i>Gearbox Idler Arm</i>
 <u>CHIPPER/SHREDDERS</u>		
<i>All</i>	<i>5/7/93</i>	<i>Chipper Knife Changes</i>
 <u>SNOWTHROWERS</u>		
None		
 <u>TILLERS</u>		
PTO Horse	4/29/87	Transmission Cover
<i>Horse</i>	<i>5/7/93</i>	<i>Kohler Carburetor Baffle</i>
<i>Mini</i>	<i>5/7/93</i>	<i>Clutch Failure</i>
 <u>TRACTOR ATTACHMENTS</u>		
30902 Wheel Weights	5/11/84	Tractors
30138 Snowthrower	10/7/86	Leveling Adjustment
31036S Mower	10/7/86	Lift System
50146-02 Snowthrower	10/7/86	50146-02 Installation Kits
30042/30048 Mowers	9/8/88	Belt Guides
PowerPacker	4/12/89	Mount Kit
Suburban Mowers	2/13/91	Idler & Transport Kits
60" Mower	2/13/91	Gauge Wheel Kit
Snowthrower	2/13/91	Replacement Augers
GRS	5/15/91	Belt Tension
GRS	5/15/91	Horsepower Requirement
Suburban Mowers	5/15/91	Deck Lift Kit
GRS	5/13/92	GRS on 48" Deck
Suburban Mowers	5/13/92	36" Deck Belt
 <u>SUBURBAN SERIES TRACTOR</u>		
All Models	5/11/84	Hourmeter
Gear Drive	2/22/88	Drive Belt Adjustment
All Models	4/12/89	Electric Clutch Identification
All Models	3/21/90	Lift Service Kit
All Models	5/15/91	Front Wheel Bushings

NEWS LETTERS LISTED BY SUBJECT CONT'D

<u>SUBURBAN SERIES TRACTOR</u>	<u>DATE</u>	<u>SUBJECT</u>
All Models	5/13/92	Tire Size & Wheel Weights
Some Models	5/7/92	Briggs & Stratton After Fire Complaints
<u>MEDIUM FRAME TRACTORS</u>		
1467, 1468, 1668 & 1669	2/13/91	Brake Noise
<u>MEDIUM FRAME TRACTORS CONT'D</u>		
All Models	2/13/91	Electric Clutch Parts
<u>5100 SERIES TRACTORS</u>		
Dura Trac	2/13/91	Driveshaft "U" Joints

MICELLANEOUS INFORMATION
(See Bolens Section)

	<u>Page</u>
Belt Sizes & Part Number	92
Tire, Chain and Tube Part Numbers	96

MISCELLANEOUS PART NUMBERS

PAINT

1900706	Red (F/Powder Paint)	13 oz. Spray
1900924	Black	13 oz. Spray
1765811	Gray	13 oz. Spray

LUBRICANTS

1719650	Hydrostatic Oil (ATF)	1 Gal.
1738157	Transmission/Hydraulic Oil (Benzoil)	1 Gal.
1360A	SAE 140 Gear Oil GL-4	2 qt.
1901964	SAE 140 Gear Oil GL-4	1 qt.
1768598	20 W Oil	1 Gal.

WALK BEHIND MOWERS

1733251	Charger
1755565	Drive Belt
1732215	Exhaust Deflector, B & S 4HP
1732216	Exhaust Deflector, B & S 3-1/2HP
1731986	Mulching Mower Grass Bag
1760020	20" Mulching Mower Blade
1755990	22" Mulching Mower Blade

ROTARY TILLERS

2100	Belt Adjustment Gauge - Horse
60070	Drive Belt - Cultivator Plus
55037	Drive Belt - Tuffy
50028	Drive Belt - Junior, Pony I
50134	Drive Belt (Rev.) - Junior II
50161	Drive Belt (Fwd.) - Junior II
11018	Drive Belt (Set) - Junior III
11516	Drive Belt (Set) - OPC Junior, OPC Pony
20402	Drive Belt (Set) - Pony, Super Pony, Pony II
4922	Drive Belt (Set) - Pony III, Pony IV, Pony V
11019	Drive Belt (Set) - Econo Horse, OPC Econo
1128	Drive Belt (Set) - Horse I, Horse II
9245	Drive Belt - Horse III, OPC Horse

BRUSHCUTTER

H212093	Monofilament Head, Two-Line, Complete
H212090	Blade, Tri-Kut® 8"
H212091	Blade, Brush 9"

WALKING SNOWTHROWERS

1735625	Auger Shear Bolts
---------	-------------------

SPRAYERS

11402	Battery Charger
10833	Measuring Cup, 8 oz.
W33500079	Inline Strainer, 40 mesh

TRACTORS & ATTACHMENTS

1726213	Repair Kit, Hydraulic Valve Medium Frame Tractors (2 Req.)
1737386	2000 PSI Pressure Gauge Kit

1740023	Mower Mule Drive Assy F/Medium Frame Tractor
1744918	Gearbox Assy. for 50048R & 14030 Mowers
1765976	Wheel Weight "J" Bolts

BATTERIES

9092B	Tomahawk, Horse
96512	Econo, Pony
9234	Junior
1756550	Mulching Mower
1752840	5000/5100, ST Series, 13000 Series & Med Frame
10815	Sprayer

MISCELLANEOUS PRODUCTS

1806	Tiller Bearing/Seal Installation Kit Complete
1756954	Safety Goggles, Soft-Sided, Universal Fit
11523	Tamper - Junior Tomahawk
11524	Tamper - Tomahawk I, II & III, Super Tomahawk I, II, III, IV & V
11525	Tamper - Tomahawk IV & V, Super Tomahawk VI & VII
1763008	Tamper - 47024 & 47026

MISCELLANEOUS PART NUMBERS

CHIPPER/SHREDDER

FLAILS

<u>Model</u>	<u>Part #</u>
All except 3HP Junior	1900102
3HP Junior only	4604

V-BELT

<u>Model</u>	<u>Serial # Range</u>	<u>Part #</u>
3.5HP	W300100 - Up	97133 (Repl. W5L290 & W5L290SPL)
4HP	W400100 - Up	97133 (Repl. W5L290 & W5L290SPL)
5HP	840000 - 843153	W5L350
5HP	W5022631 - Up	97133 (Repl. W5L290 & W5L290SPL)
8HP	W800000 - W805024	W5L280
8HP	W805025 - Up	97133 (Repl. W5L290 & W5L290SPL)
PTO	W100000 - Up	9036
	470260100101 - Up	1908749

CENTRIFUGAL CLUTCH

<u>Model</u>	<u>Serial # Range</u>	<u>Part #</u>
5HP	840000 - Up	W912P40B710
	W500000 - W502630	W912940B710
8HP	W801000 - W805024	W916P40B710

MANUALLY OPERATED CLUTCH

If your Chipper/Shredder has a clutch lever, please see your Parts Catalog for information.

CHIPPER KNIFE

<u>Model</u>	<u>Part #</u>	<u>Kit #</u>
47265/47266	8HP Super Tomahawks	1901761
47267/47268	w/4" Chipper Capacity	
47274		
All Other Tomahawks and Super Tomahawks	4.5 & 8HP Tomahawks and Super Tomahawks	1900950
		use 1901825
		use 1901823 Blade Kit

BEARING AND SHAFT KITS

<u>Model</u>	<u>Serial # Range</u>	<u>Bearing Kit Part #</u>	<u>Shaft Kit Part #</u>	<u>Shaft/Bearing Part #</u>
3.5HP	W300100 - Up	WBK100	WSK100	
4HP	W400100 - Up	WBK100	WSK400	
5HP	Shredder Only			WSBK100
5HP	Chipper/Shredder			
	840000 - 850808			WSBK200
	W500000 - W503995			WSBK200
	W503996	WBK200 use 97130	WSK200	
	W505871 - W507172	WBK100	WSK300	
	W505872 - Up	WBK100	No Shaft Kit	
8HP	Chipper/Shredder			
	W800000/W808959			WSBK200
	W808960 - W814315	WBK200 use 97130	WSBK200	
	W814316 - W817649	WBK100	WSK300	
	W817650 - Up	WBK100	No Shaft Kit	
PTO	W100000 - W101840			WSBK200
	W101841 - W102154			WSBK200
	W102155 - Up	WBK100	WSK200	
	470260100101 - Up	1762621	WSK300	

CHIPPER/VACS

CHIPPER KNIFE

<u>Model</u>	<u>Part #</u>	<u>Kit #</u>
47265/47266	4 & 5HP Models	1901303
47271/47280		use 1901824 Blade Kit
47261/47279		
47272/47281		

SERVICE LITERATURE

EFFECTIVE JULY 1, 1994

Each newly signed Garden Way Dealership is required to purchase any of the below listed microfiche at the time they are established. Check requested material and submit to:

GARDEN WAY INC., 102ND STREET & 9TH AVENUE, TROY, NEW YORK, 12180.

If you have any questions, please contact the Garden Way Technical Service Department at 1-800-274-5527.

NOTE: All prices are in U.S. funds. Prices may change without notice.

(Microfiche Sets consist of product parts lists, service bulletins, news letters and parts price list.)

MICROFICHE

- _____ 1. Troy-Bilt/Bolens \$60.00
(Updates provided at No Charge)
- _____ 2. Bolens Iseki Diesel \$20.00
(Updates provided at No Charge)
- _____ 3. W-W Grinder \$10.00
(Updates provided at No Charge)

PARTS PRICE LIST

- _____ 1. Computer Price Tape \$50.00
- _____ 2. Computer Price Disks
 - _____ 3.5" Disk \$20.00
 - _____ 5 1/4" Floppy \$20.00

BINDER COVER ONLY

- _____ 1. Troy-Bilt, Red - 3" Fixed Post \$11.00
- _____ 2. Bolens, Black - 3" Fixed Post \$11.00
- _____ 3. Bolens, Black - 4" Expandable to 8" \$11.00

SERVICE & REPAIR MANUALS

- _____ 1. Troy-Bilt Equipment \$35.00
(Includes the following Repair Manuals and a Binder)
 - Suburban Tractor
 - Tiller(Jr. Pony, Econo-Horse)
 - Tiller (PTO Horse)
 - Horse Tiller Transmission
 - Trailblazer Sickle Bar
 - Tomahawk Chipper/Shredder
- _____ 2. Bolens Equipment \$45.00
(Includes the following Repair Manuals and a Binder)
 - Riding Mower
 - Tube Frame Tractor
 - Medium Frame Tractor
 - Suburban Tractor
 - 5000 Series Tractor
 - DuraTrac Tractor
 - QT, QS & 1900 Tractor
 - Large Frame Tractor
 - Eaton 11 Hydro
- _____ 3. Bolens Iseki Diesel Tractors \$35.00
(Includes the following Repair Manuals and a Binder)
 - TX (1300 & 1500)
 - TX (1502, 1504 & 1704)
 - TX (1502H & 1704H)
 - TS 19, 24 & 29 HP Series
 - 2102 & 2104
 - 2702 & 2704

SAMPLE

PLEASE SEND TO:

DEALER NAME _____ DEALER NO. _____

ADDRESS _____

CITY & STATE _____ ZIP CODE _____

WHITE (Factory)

YELLOW (Territory Manager)

PINK (Dealer)

