

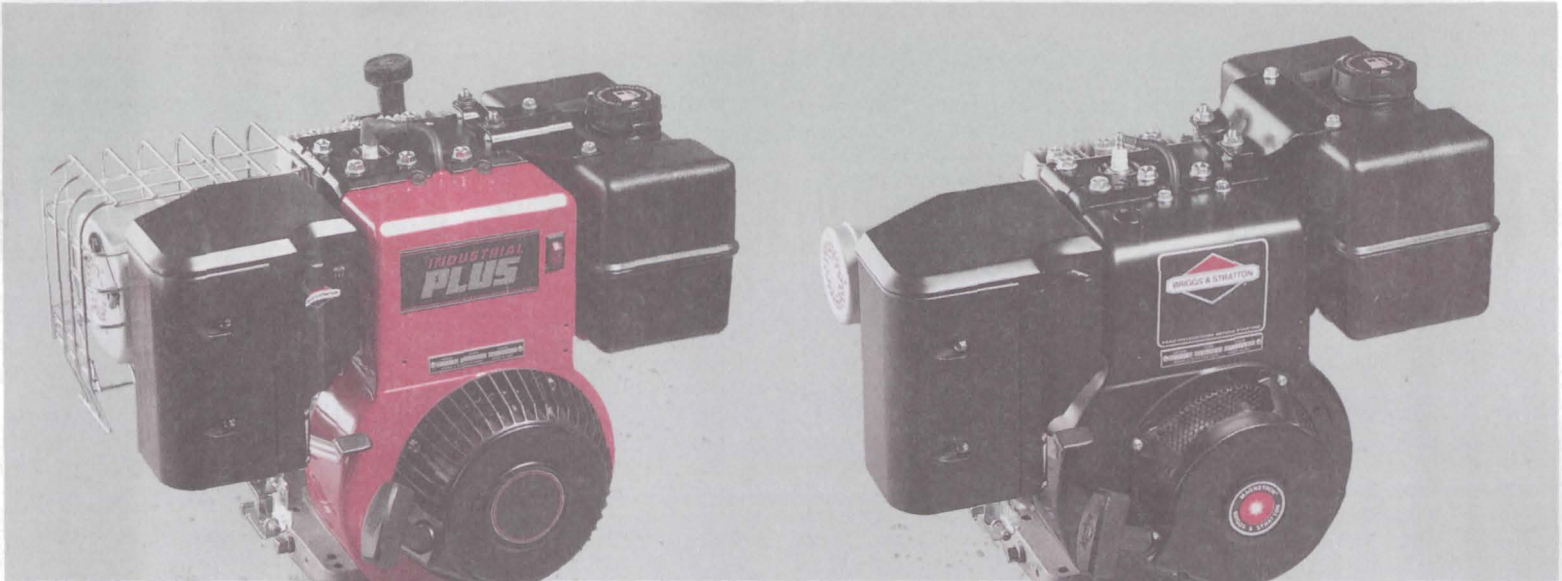


Before starting this engine,  
read and understand this *Owner's Manual*.



**Owner's Manual**

**Model Series 19A400, 19B400, 19E400, 19G400, 192400, 197400, 250400  
Industrial Plus Model Series 176400, 19C400, 19F400, 196400, 226400 & 256400**




For future reference, write your engine Model/Type/Code here.  
See page 8 for location of your engine Model/Type/Code.

Model	Type	Code
<input type="text"/>	<input type="text"/>	<input type="text"/>

**Table of Contents**

<i>In the Interest of Safety</i> .....	1	<i>Adjustments</i> .....	5
<i>Oil &amp; Fuel Recommendations</i> .....	2	<i>Maintenance</i> .....	6
<i>Before Starting</i> .....	3	<i>Service &amp; Storage</i> .....	9
<i>Starting &amp; Stopping</i> .....	4	<i>Warranty</i> .....	10

# In the Interest of Safety

 This safety alert symbol indicates that this message involves personal safety. Words danger, warning and caution indicate degree of hazard. Death, personal injury and/or property damage may occur unless instructions are followed carefully.

The Briggs & Stratton engine you bought with your equipment is made of the finest material in a state-of-the-art manufacturing facility. Please understand that Briggs & Stratton sells engines to original equipment manufacturers. It also sells to others in the distribution chain who may sell to the ultimate consumer, an equipment manufacturer, another distributor or a dealer. As a result, Briggs & Stratton does not necessarily know the application on which the engine will be placed. For that reason, you should carefully read and understand the operating instructions of the equipment on which your engine is placed before you operate it.

You should also understand that there are equipment applications for which Briggs & Stratton does not approve the use of its engines. Briggs & Stratton engines are not to be used on vehicles with less than 4 wheels. They include motor bikes, aircraft products and All Terrain Vehicles. Moreover, Briggs & Stratton does not approve of its engines being used in competitive events. **FOR THAT REASON, BRIGGS & STRATTON ENGINES ARE NOT AUTHORIZED FOR ANY OF THESE APPLICATIONS.** Failure to follow this warning could result in death, serious injury (including paralysis) or property damage.



You are not ready to operate this engine if you have not read and understood the following safety items. Read this entire owner's manual and the operating instructions of the equipment this engine powers.



## WARNING

DO NOT run engine in an enclosed area. (Exhaust gases contain carbon monoxide, an odorless and deadly poison.)

DO NOT place hands or feet near moving or rotating parts.  
DO NOT store, spill, or use gasoline near an open flame, nor near an appliance like a stove, furnace, or water heater that uses a pilot light or can create a spark.

DO NOT refuel indoors or in an unventilated area.  
DO NOT remove fuel tank cap nor fill fuel tank while engine is hot or running. (Allow engine to cool 2 minutes before refueling.)

DO NOT operate engine if gasoline is spilled or when smell of gasoline is present or other explosive conditions exist. (Move equipment away from spill and avoid any ignition until gasoline has evaporated.)

DO NOT transport engine with fuel in tank or with fuel shut-off valve open.  
DO NOT choke carburetor to stop engine, especially in an enclosed vehicle. (Whenever possible, gradually reduce engine speed before stopping.)

DO NOT tamper with governor springs, links or other parts to increase engine speed. (Run engine at speed set for equipment manufacturer.)

DO NOT check for spark with spark plug removed. (Use an approved tester.)  
DO NOT crank engine with spark plug removed. (If engine is flooded, place throttle in FAST and crank until engine starts.)

DO NOT strike flywheel with a hammer or hard object as this may cause flywheel to shatter in operation. (Use correct tools to service engine.)

DO NOT operate engine without a muffler. (Inspect periodically and replace if worn or leaking. If engine is equipped with muffler deflector, inspect periodically and, if necessary, replace with correct deflector.)

DO NOT operate engine with an accumulation of grass, leaves or other combustible material in muffler area.

DO NOT use this engine on any forest covered, brush covered, or grass covered unimproved land unless a spark arrester is installed on muffler. Spark arrester must be maintained in effective working order by owner and/or operator. In the State of California the above is required by law (Section 4442 of the California Public Resources Code). Other states may have similar laws. Federal laws apply on federal lands.

DO NOT touch hot muffler, cylinder, or fins which can cause burns.

DO NOT start engine with air cleaner or air cleaner cover removed (or cover over carburetor air intake, if Sno/Gard engine).



## WARNING

✓ PREVENT ACCIDENTAL STARTING by removing spark plug wire when servicing engine or equipment. Disconnect negative

wire from battery terminal if equipped with electric starting system.  
✓ KEEP cylinder fins and governor parts free of dirt, grass and other debris which can affect engine speed.

✓ PULL starter cord slowly until resistance is felt. Then pull cord rapidly to avoid kickback and prevent hand or arm injury.

✓ USE fresh gasoline. Stale fuel can gum carburetor and cause leakage.

✓ CHECK fuel lines and fittings frequently for cracks or leaks. Replace if

necessary.

✓ Use only Genuine Briggs & Stratton Parts or their equivalent. The use of replacement parts which are not of equivalent quality may damage the engine.



## WARNING:



The engine exhaust from this product contains chemicals known to the State of California to cause cancer, birth defects, or other reproductive harm.

International Symbols



Safety Alert



Read Owner's Manual

○ On Off



Stop



Fuel



Fuel



Stop

BrentChalmers.com

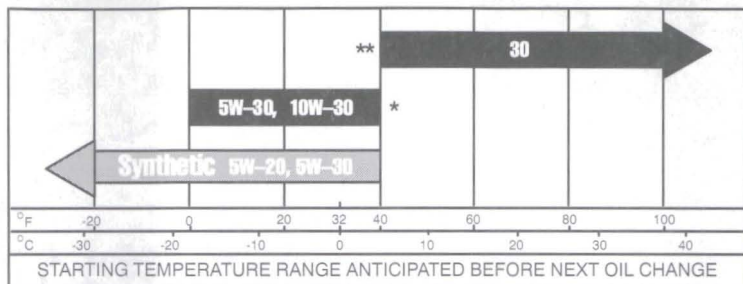
# Oil & Fuel Recommendations

## OIL

**Note:** Engine is shipped from Briggs & Stratton without oil.  
Before starting engine, check oil as shown below.

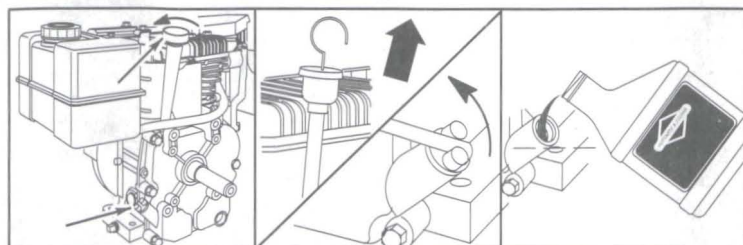
Change and add oil according to chart below. Do not over-fill.  
Use a high quality detergent oil classified "For Service SC, SD, SE, SF, SG," such as Briggs & Stratton "warranty certified" SAE 30 oil, part no. 100005 or 100028. Use no special additives with recommended oils.  
Do not mix oil with gasoline.

### SAE Viscosity Grades



- \* Air cooled engines run hotter than automotive engines. Use of multi-viscosity oils (10W-30, etc.) above 40° F (4° C) will result in high oil consumption and possible engine damage. Check oil level more frequently if using these types of oils.
- \*\* SAE 30 oil, if used below 40° F (4° C), will result in hard starting and possible engine bore damage due to inadequate lubrication.

**Check oil level before starting engine. Add oil as shown below.**



Place engine level  
Clean around oil fill

Remove oil filler  
plug or dipstick

Fill to overflowing  
if oil filler plug

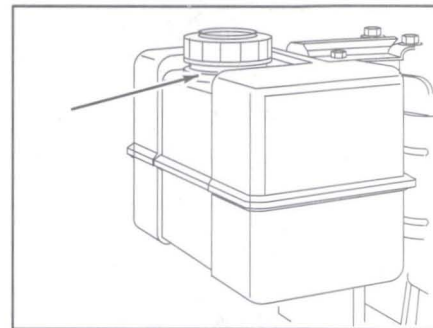
## FUEL

This engine will operate satisfactorily using any automobile gasoline. Use clean, fresh, lead-free gasoline with a minimum of 77 octane. (Leaded gasoline may be used if it is commercially available, and if lead-free is not available.) Purchase fuel in quantity that can be used within 30 days. See **STORAGE INSTRUCTIONS**, page 9.

Do not mix oil with gasoline.

**Note:** We do not recommend using gasoline which contains alcohol, such as gasohol. If gasoline with alcohol is used, it must contain less than 10% Ethanol and must be removed from engine during storage. Do not use gasoline which contains Methanol.

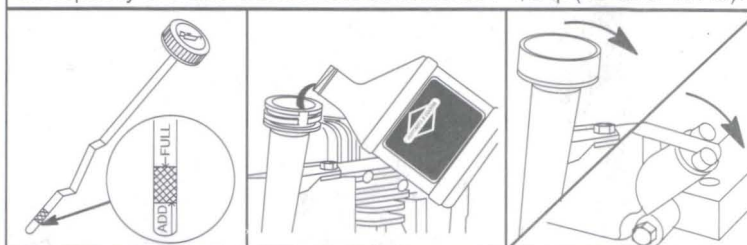
Do not over-fill.  
Allow space in fuel tank for fuel expansion.



Fuel level

Oil capacity of Model Series 170000, 190000 and 220000 is about 1-3/8 qt (44 oz or 1.3 ltr).

Oil capacity of Model Series 250000 is about 1-1/2 qt (48 oz or 1.4 ltr).



Fill to FULL mark if  
engine has dipstick

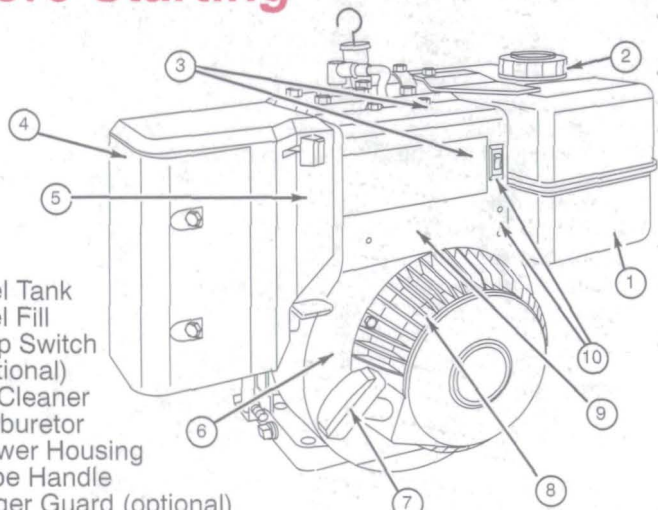
Add oil slowly -  
recheck

Tighten plug/dipstick  
firmly before starting

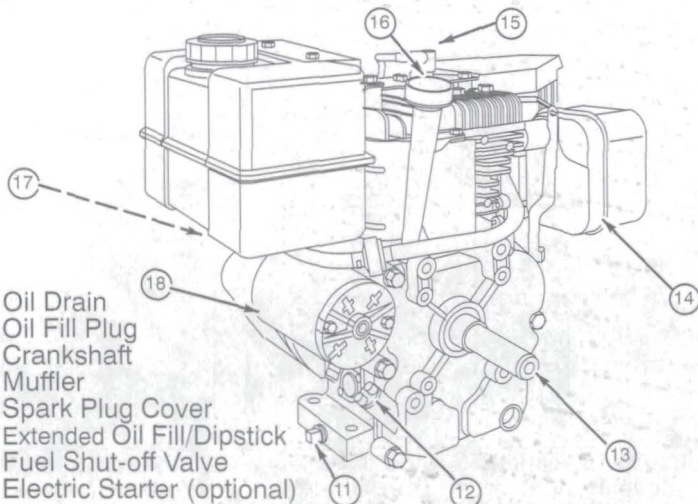
[BrentChalmers.com](http://BrentChalmers.com)

In the USA and Canada, a 24 hour hot line, **1-800-233-3723**, has a menu of pre-recorded messages offering you engine maintenance information.

# Before Starting



1. Fuel Tank
2. Fuel Fill
3. Stop Switch (optional)
4. Air Cleaner
5. Carburetor
6. Blower Housing
7. Rope Handle
8. Finger Guard (optional)
9. Engine Model Type Code  
xxxxx    xxxx xx    xxxxxxxx
10. OIL GARD® light (optional)



11. Oil Drain
12. Oil Fill Plug
13. Crankshaft
14. Muffler
15. Spark Plug Cover
16. Extended Oil Fill/Dipstick
17. Fuel Shut-off Valve
18. Electric Starter (optional)

## TIPS TO OBTAIN BEST STARTING RESULTS

Start, store and fuel equipment with engine in level position.

**CAUTION:** Do not use a pressurized starting fluid. Starting fluid is flammable. Severe engine damage or fire may occur.

A warm engine requires less choking than a cold engine.

## COLD WEATHER STARTING HINTS

Use correct oil for starting temperature expected and use fresh fuel.

De-clutch all possible external loads.

A warm battery has much more starting capacity than a cold battery.

## SET CONTROLS

<p>Move choke control to CHOKE position.</p> <p><b>CHOKE</b>    <b>RUN</b></p> <p>Choke control</p>	<p>Move throttle control to FAST position.</p> <p>Throttle control</p>
<p>1/4 TURN COUNTER-CLOCKWISE</p> <p>Fuel shut-off valves</p>	<p>SEVERAL TURNS COUNTERCLOCKWISE</p> <p>Fuel shut-off valves</p>
<p>Move stop control to ON position.</p> <p>Rotary stop switch</p>	<p>ON POSITION</p> <p>ON POSITION</p> <p>OFF</p> <p>Pusher stop switch/OIL GARD® light</p>


In the USA and Canada, a 24 hour hot line, 1-800-233-3723, has a menu of pre-recorded messages offering you engine maintenance information.

# Starting & Stopping

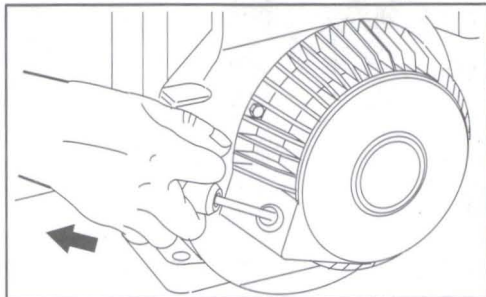
## START ENGINE

 ALWAYS KEEP HANDS AND FEET CLEAR OF MOWER BLADE OR OTHER ROTATING MACHINERY.

### Rewind starter

 Grasp rope handle as illustrated and pull slowly until resistance is felt. THEN PULL ROPE RAPIDLY TO OVERCOME COMPRESSION, PREVENT KICKBACK AND START ENGINE. Repeat if necessary with choke off and throttle control in FAST. Operate engine with choke in RUN position and throttle in FAST position.

**Note:** OIL GARD® light warns of low oil level, if equipped. If light flickers when trying to start or restart engine, add oil. Fill to FULL mark on dipstick or to overflowing at oil fill plug.



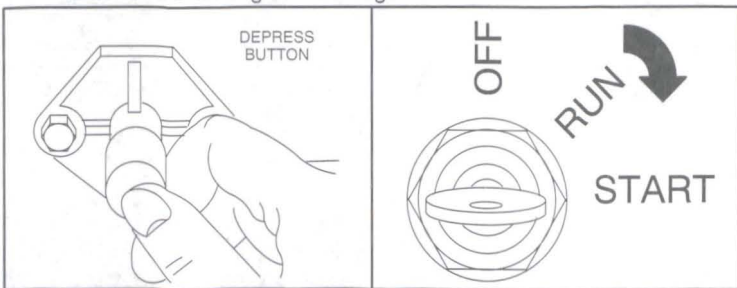
Rewind starter

### Electric starter (if equipped)

On engine equipped with 12 volt starting system, turn key to START or press starter button. Repeat if necessary with throttle control in FAST. Operate engine with choke in RUN position and throttle in FAST position.

**Note:** If equipment manufacturer has supplied battery, charge it before trying to start engine, as equipment manufacturer recommends.

**Note:** Use short starting cycles (15 secs. per min.) to prolong starter life. Extended cranking can damage starter motor.

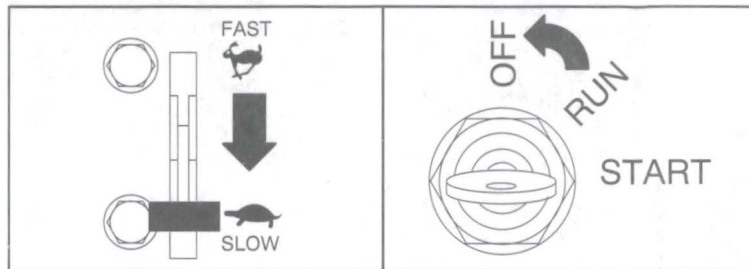


12V electric starter

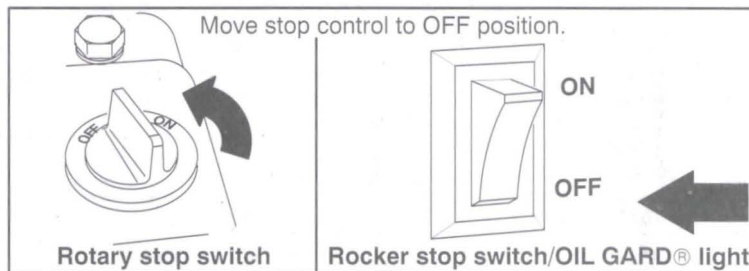
## STOP ENGINE

Do not move choke control to CHOKE to stop engine. Backfire or engine damage may occur. Move throttle control to SLOW position. Turn key to OFF, if equipped.

Always remove key from switch when leaving equipment unattended or when equipment is not in use.



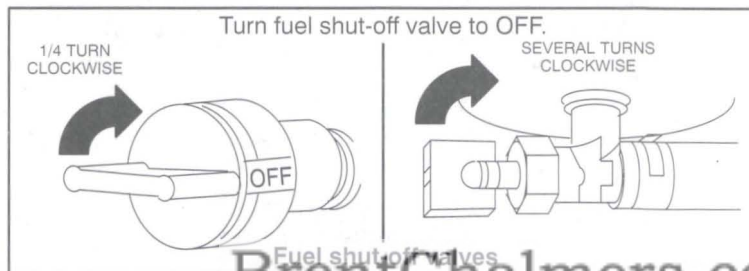
Typical stop controls



Rotary stop switch

Rocker stop switch/OIL GARD® light

When engine is transported, close fuel shut-off valve to prevent leakage.



Fuel shut-off valves

[BrentChalmers.com](http://BrentChalmers.com)

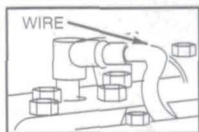
In the USA and Canada, a 24 hour hot line, 1-800-233-3723, has a menu of pre-recorded messages offering you engine maintenance information.

# Adjustments

## CONTROL ADJUSTMENTS



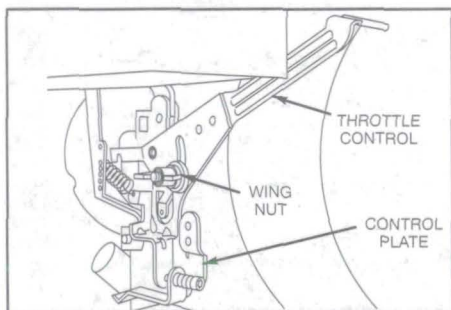
### TO PREVENT ACCIDENTAL STARTING



Remove spark plug wire, when adjusting controls. Disconnect battery at negative terminal, if engine has electric starting system.

### To adjust manual friction throttle control

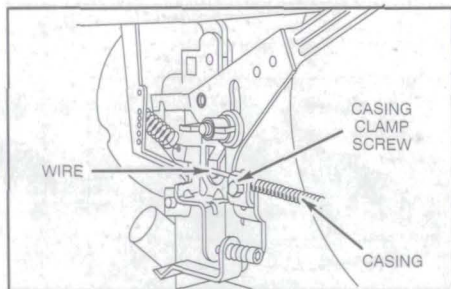
Loosen or tighten wing nut on control plate until throttle control moves with some resistance and still remains in desired position when engine is running.



Manual friction throttle control

### To adjust remote throttle control

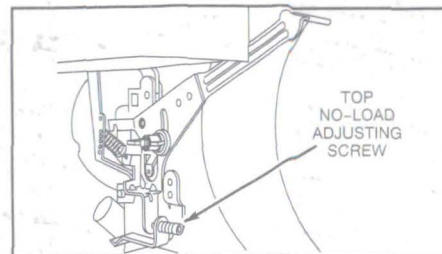
Loosen casing clamp screw on control plate. Move casing and wire in direction of arrow to end of travel. Move throttle control to FAST position. Tighten casing clamp screw.



Remote throttle control

### Adjustable governor

Top No-Load adjusting screw has been pre-set at the factory as specified by equipment manufacturer. **DO NOT ADJUST.** If adjustment is required, consult any Briggs & Stratton Authorized Service Dealer.



Adjustable governor control

**Note:** If engine is equipped with adjustable governor, it may also be equipped with electromagnetic "idle down." See equipment manufacturer's instructions for operation of "idle down."

## CARBURETOR ADJUSTMENTS

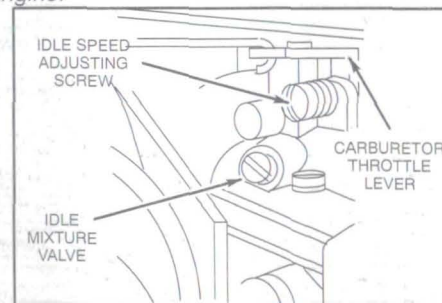


The manufacturer of equipment on which this engine is installed specifies top speed at which engine will be operated. **DO NOT EXCEED** this speed.

Differences in fuel, temperature, altitude or load may require minor carburetor adjustment. Air cleaner and air cleaner cover must be assembled to carburetor before starting engine.

### Initial adjustment

Gently turn idle mixture valve clockwise until it **JUST** closes. Turning valve in too far may damage it. Then open idle mixture valve 1-1/2 turns counterclockwise. Start and warm up engine (approximately 5 minutes) prior to final adjustment.



Carburetor adjustments

### Final adjustment

Place throttle control in **IDLE** or **SLOW** position. Rotate carburetor throttle lever counterclockwise and hold against idle speed adjusting screw. Turn idle speed adjusting screw to obtain 1750 RPM.

Next turn idle mixture valve in (clockwise - lean mixture) until engine starts to slow. Then turn it out (counterclockwise - rich mixture) until engine starts to slow again. Now turn it midway between rich and lean so engine runs smoothly. Check idle RPM and readjust if necessary.

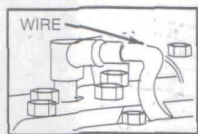
Move throttle control to **FAST** position. Engine should accelerate smoothly. If it does not, readjust carburetor, usually to a slightly richer mixture, by turning idle mixture screw 1/8 turn counterclockwise.

# Maintenance

See **Maintenance Schedule**, page 8. Follow the hourly or calendar intervals, whichever occur first. Note that more frequent service is required when operating in adverse conditions.



## TO PREVENT ACCIDENTAL STARTING



Remove spark plug wire when servicing engine or equipment. Disconnect battery at negative terminal, if engine has electric starting system.

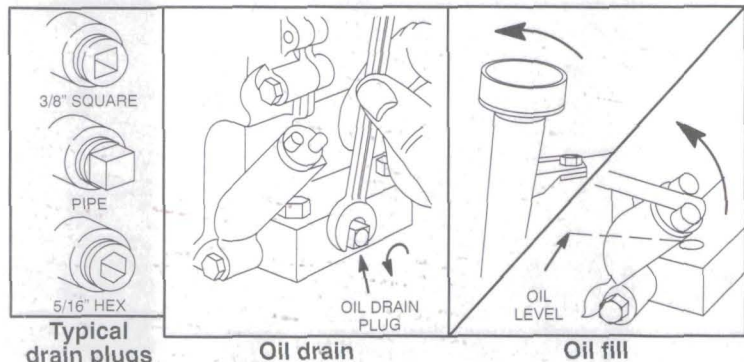
## OIL

### Check oil level regularly.

Be sure correct oil level is maintained. Check every 5 hours or daily, before starting engine. See **Check oil level** on page 2.

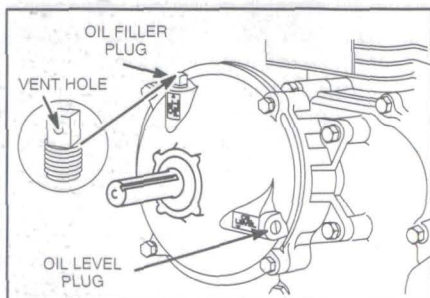
### Change oil (Follow **Maintenance Schedule**.)

Change oil after first 5 hours of operation. Change oil while engine is warm. Refill with new oil of recommended grade (see chart, page 2).



### Gear reduction (if equipped)

Remove oil level plug and oil fill plug. Drain oil every 100 hours of operation or every season. To refill, pour SAE 30 oil into oil fill hole until it runs out level check hole. Replace both plugs. Oil fill plug has a vent hole and must be installed on top of gear case cover.



**Gear reduction oil drain/oil fill**



## AIR CLEANER

**Note:** Service according to **Maintenance Schedule**.

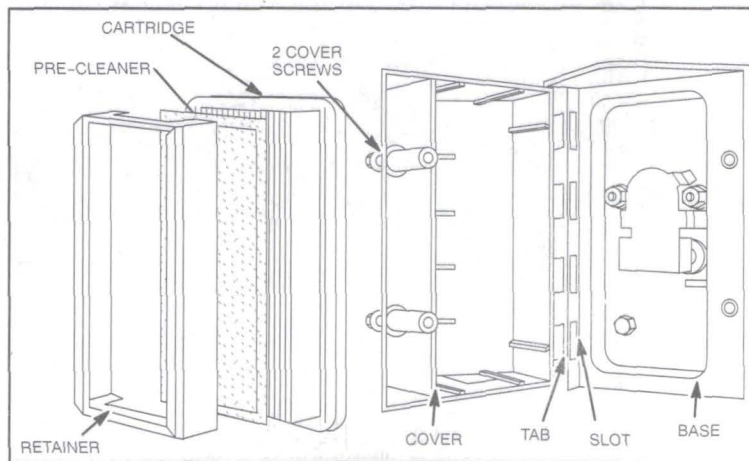
1. Loosen cover screws. Remove cover and air cleaner assembly from base.
2. Remove air cleaner assembly from inside of cover and disassemble.

To service pre-cleaner, wash in liquid detergent and water. Squeeze dry in a clean cloth. Saturate in engine oil. Squeeze in clean, absorbent cloth to remove ALL EXCESS oil. If very dirty or damaged, replace it. (Depending on engine Type Number, there may be no pre-cleaner.)

To service cartridge, clean by tapping gently on a flat surface. If very dirty or damaged, replace it. Do not oil cartridge.

**Note:** Do not use petroleum solvents, e.g., kerosene, nor pressurized air to clean cartridge. Solvents will cause cartridge to deteriorate. Pressurized air can damage cartridge.

3. Reassemble retainer on pre-cleaner and cartridge (screen side of pre-cleaner toward cartridge pleats). Install this assembly in cover.
4. Insert tabs on cover into slots in base. Tighten cover screws securely.



Dual element air cleaner  
**BrentChalmers.com**

In the USA and Canada, a 24 hour hot line, 1-800-233-3723, has a menu of pre-recorded messages offering you engine maintenance information.

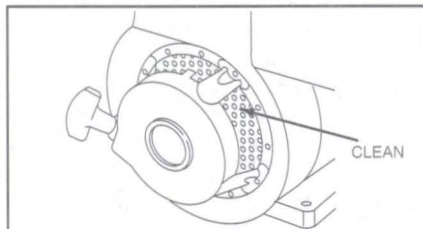
# Maintenance

See **Maintenance Schedule**, page 8 Follow the hourly or calendar intervals, whichever occur first. Note that more frequent service is required when operating in adverse conditions.

## KEEP ENGINE AND PARTS CLEAN

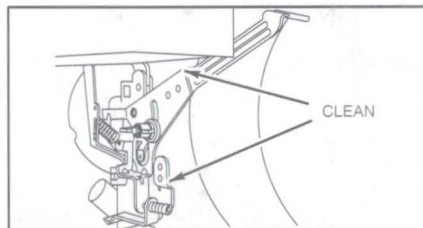
Remove dirt and debris with a cloth or brush. Do not clean with a forceful spray of water because water could contaminate fuel system.

Remove grass and chaff from finger guard, if equipped and rotating screen every 8 hours or daily (more often if needed) to prevent engine damage caused by overheating.




Finger guard/ Rotating screen

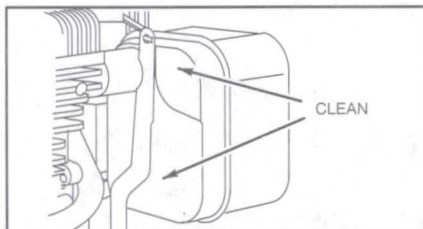
To assure smooth operation, keep governor linkage, springs and controls free of debris.



Linkage, springs & controls

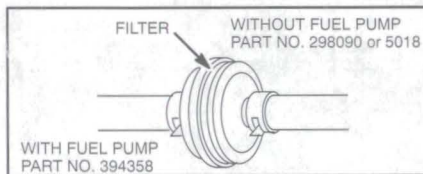
 Daily or more often, before running engine, clean muffler area to remove all grass and combustible debris.

If engine muffler is equipped with spark arrester screen assembly, remove for cleaning and inspection. Replace if damaged.



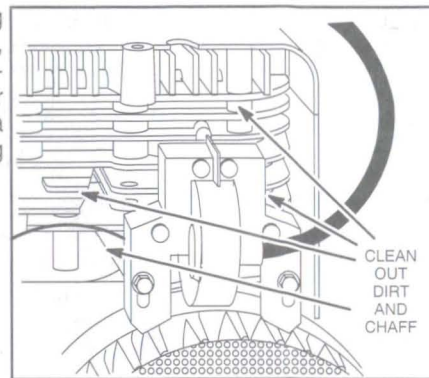
Muffler area

(Model 133400 only)  
Replace In-Line fuel filter, if engine is so equipped.



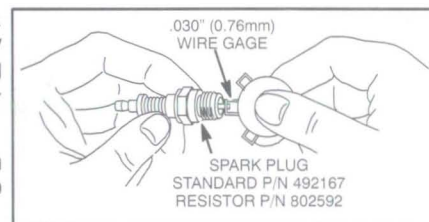
Fuel filter

Grass, chaff or dirt may clog engine's air cooling system, especially after prolonged operation. Remove blower housing and clean area shown to prevent overheating and engine damage.



Cooling system

Replace or clean spark plug. Do not blast clean. Clean by scraping or wire brushing and washing with a commercial solvent.



Spark plug

**Note:** On Model Series 19A400, 19B400, 19C400, 19E400, 19F400, 19G400 engines use only spark plug, Part No. 496018.

On Model Series 176400, 192400, 196400, 197400, 226400, 250400, 256400 engines use standard spark plug, Part No. 492167 or resistor spark plug, Part No. 802592, as required.

In some areas, local law requires using a resistor spark plug to suppress ignition signals. If this engine was originally equipped with resistor spark plug, use same type of spark plug for replacement.

## Remove combustion deposits

Remove cylinder head every 100-300 hours of operation. Scrape and wire brush the combustion deposits from cylinder, cylinder head, top of piston and around valves. Reassemble gasket and cylinder head. Turn screws down finger tight. Torque cylinder head screws in a staggered sequence to 165 in-lbs (18.5 Nm).

In the USA and Canada, a 24 hour hot line, 1-800-233-3723, has a menu of pre-recorded messages offering you engine maintenance information.



# Maintenance Schedule

Follow the hourly or calendar intervals, whichever occur first.  
More frequent service is required when operating in adverse conditions noted below.

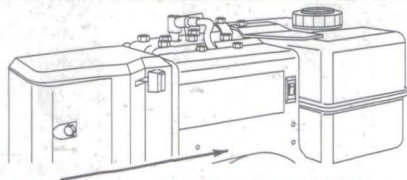
Maintenance Operation	Every 5 hours or daily	25 hours or every season	50 hours or every season	100 hours or every season	100-300 hours
Check oil level	•				
Change oil ♦			• Note 1		
Change gear reduction oil (if equipped)				•	
Clean foam pre-cleaner		• Note 2			
Clean air cleaner cartridge				• Note 2	
Clean cooling system				• Note 2	
Inspect spark arrester (if equipped)			•		
Replace or clean spark plug				•	
Clean in-line fuel filter (if equipped)				•	
Clean combustion chamber deposits					•

See any Authorized Briggs & Stratton Service Dealer and **insist on Genuine Briggs & Stratton parts!** Non-original copies may not perform as well and may void your warranty.

### Briggs & Stratton Part Numbers of some Genuine Briggs & Stratton Parts:

Part	Briggs & Stratton Part No.
Square air cleaner cartridge	496077
Square air cleaner pre-cleaner	492889
Spark plug	(see page 7)
Fuel filter	298090
Spark tester	19368
Spark plug wrench	89838
Spark plug elbow	66538
Oil	100005 or 100028
Gas additive	5041

♦ Change oil after first 5 hours, then after every 50 hours or every season.  
**Note 1:** Change oil every 25 hours when operating under heavy load or in high temperatures.  
**Note 2:** Clean more often under dusty conditions or when airborne debris is present. Replace air cleaner parts, if very dirty.



Look here for engine Model/Type/Code. This assures fast service & correct parts.

In the USA and Canada, a 24 hour hot line, 1-800-233-3723, has a menu of pre-recorded messages offering you engine maintenance information.

**To obtain a complete Parts List of  
Genuine Briggs & Stratton Parts for your engine,  
fill in your engine Model/Type/Code below and  
print your name and address on the other side.**

We cannot fill your order without the correct Model/Type/Code.  
(Please allow 3 to 4 weeks for delivery.)

<b>Your Engine</b>	<b>Model</b>	<b>Type</b>	<b>Code</b>
<input type="text"/>	<input type="text"/>	<input type="text"/>	<input type="text"/>

**Cut out and send (with \$2) to: Briggs & Stratton Corporation  
P.O. Box 1144  
Milwaukee, WI 53201-1144**

**Att. Service Division**

**BrentChambers.com**

# Service & Storage

## FOR SERVICE

See an Authorized Briggs & Stratton Service Dealer. Each one carries a stock of Genuine Briggs & Stratton Parts and is equipped with special service tools. Trained mechanics assure expert repair service on all Briggs & Stratton engines. Only dealers advertising as "Authorized Briggs & Stratton" are required to meet Briggs & Stratton standards.



You may locate your nearest Authorized Briggs & Stratton Service Dealer in the "Yellow Pages™" directory under "Engines, Gasoline" or "Gasoline Engines," or "Lawn Mowers" or similar category. There are over 30,000 Authorized Service Dealers worldwide available to serve you.

Note: Walking fingers logo and "Yellow Pages" are registered trademarks in various jurisdictions.

The illustrated shop manual shown here includes "Theories of Operation," common specifications and detailed information covering adjustment, tune-up and repair of Briggs & Stratton L-head, single cylinder, 4 cycle engines. It is available from an Authorized Briggs & Stratton Service Dealer or you can order it from the factory. Write: Briggs & Stratton Corp. P. O. Box 1144, Milwaukee, WI 53201 Attention: Service Division.



Part No. 270962

## STORAGE INSTRUCTIONS

Engines stored over 30 days need to be protected or drained of fuel to prevent gum from forming in fuel system or on essential carburetor parts.



1. For engine protection, we recommend use of Briggs & Stratton Gasoline Additive, Part No. 5041, available from any Authorized Briggs & Stratton Service Dealer. Mix Additive with fuel in fuel tank or storage container. Run engine for a short time to circulate Additive through carburetor. Engine and fuel can be stored up to 24 months.

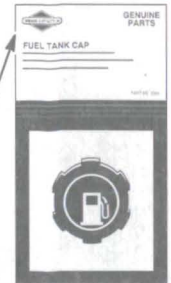
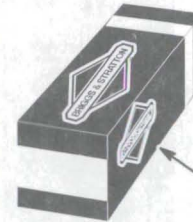
**Note:** If Additive is not used or if engine is operating on gasoline containing alcohol, such as gasohol, remove all fuel from tank and run engine until it stops from lack of fuel.

2. While engine is still warm, drain oil from crankcase (see page 6). Refill with fresh oil of recommended grade (see chart on page 2).
3. Remove spark plug and pour about 1 oz (30 ml) of engine oil into cylinder. Replace spark plug and crank slowly to distribute oil.
4. Clean dirt and chaff from cylinder, cylinder head fins, blower housing, rotating screen and muffler areas (see page 7).
5. Store in a clean and dry area, but NOT near a stove, furnace or water heater which uses a pilot light or any device that can create a spark.

Name \_\_\_\_\_  
Address \_\_\_\_\_  
City, State, Zip \_\_\_\_\_



Only Genuine  
Briggs & Stratton Parts  
have the  
Briggs & Stratton logo!



Look for Briggs & Stratton logo  
stamped on part and/or package!

BrentChalmers.com

In the USA and Canada, a 24 hour hot line, 1-800-233-3723, has a menu of pre-recorded messages offering you engine maintenance information.

## ABOUT YOUR ENGINE WARRANTY: (see back cover for statement of LIMITED WARRANTY.)

Briggs & Stratton welcomes warranty repair and apologizes to you for being inconvenienced. Any Authorized Service Dealer may perform warranty repairs. Most warranty repairs are handled routinely, but sometimes requests for warranty service may not be appropriate. For example, warranty would not apply if engine damage occurred because of misuse, lack of routine maintenance, shipping, handling, warehousing or improper installation. Similarly, warranty is void if the serial number of the engine has been removed or the engine has been altered or modified.

If a customer differs with the decision of the Service Dealer, an investigation will be made to determine whether the warranty applies. Ask the Service Dealer to submit all supporting facts to his Distributor or the Factory for review. If the Distributor or the Factory decides that the claim is justified, the customer will be fully reimbursed for those items that are defective. To avoid misunderstanding which might occur between the customer and the Dealer, listed below are some of the causes of engine failure that the warranty does not cover.

### IMPROPER MAINTENANCE:

The life of an engine depends upon the conditions under which it operates, and the care it receives. Some applications, such as tillers, pumps and rotary mowers, are very often used in dusty or dirty conditions, which can cause what appears to be premature wear. Such wear, when caused by dirt, dust, spark plug cleaning grit, or other abrasive material that has entered the engine because of improper maintenance, is not covered by warranty.

### THIS WARRANTY COVERS ENGINE RELATED DEFECTIVE MATERIAL AND/OR WORKMANSHIP ONLY, AND NOT REPLACEMENT OR REFUND OF THE EQUIPMENT TO WHICH THE ENGINE MAY BE MOUNTED. NOR DOES THE WARRANTY EXTEND TO REPAIRS REQUIRED BECAUSE OF:

1. PROBLEMS CAUSED BY PARTS THAT ARE NOT ORIGINAL BRIGGS & STRATTON PARTS.
2. Equipment controls or installations that prevent starting, cause unsatisfactory engine performance, or shorten engine life. (Contact equipment manufacturer.)
3. Leaking carburetors, clogged fuel pipes, sticking valves, or other damage, caused by using contaminated or stale fuel. (Use clean,

fresh, lead-free gasoline and Briggs & Stratton gasoline stabilizer, Part No. 5041.)

4. Parts which are scored or broken because an engine was operated with insufficient or contaminated lubricating oil, or an incorrect grade of lubricating oil (4 cycle engines: check oil level daily or after every 8 hours of operation. Refill when necessary and change at recommended intervals.) (2 cycle engines: use correct mixture of gasoline and BIA/NMMA certified oil.) Read "Owner's Manual."
5. Repair or adjustment of associated parts or assemblies such as clutches, transmissions, remote controls, etc., which are not manufactured by Briggs & Stratton.
6. Damage or wear to parts caused by dirt, which entered the engine because of improper air cleaner maintenance, re-assembly, or use of a nonoriginal air cleaner element or cartridge. (At recommended intervals, clean and re-oil the Oil-Foam® element or the foam pre-cleaner, and replace the cartridge.) Read "Owner's Manual."
7. Parts damaged by overspeeding, or overheating caused by grass, debris, or dirt, which plugs or clogs the cooling fins, or flywheel area, or damage caused by operating the engine in a confined area without sufficient ventilation. (Clean fins on the cylinder, cylinder head and flywheel at recommended intervals.) Read "Owner's Manual."
8. Engine or equipment parts broken by excessive vibration caused by a loose engine mounting, loose cutter blades, unbalanced blades or loose or unbalanced impellers, improper attachment of equipment to engine crankshaft, overspeeding or other abuse in operation.
9. A bent or broken crankshaft, caused by striking a solid object with the cutter blade of a rotary lawn mower, or excessive v-belt tightness.
10. Routine tune-up or adjustment of the engine.
11. Engine or engine component failure, i.e., combustion chamber, valves, valve seats, valve guides, or burned starter motor windings, caused by the use of alternate fuels such as, liquified petroleum, natural gas, altered gasolines, etc.

**WARRANTY IS AVAILABLE ONLY THROUGH SERVICE DEALERS WHICH HAVE BEEN AUTHORIZED BY BRIGGS & STRATTON CORPORATION. YOUR NEAREST AUTHORIZED SERVICE DEALER IS LISTED IN THE "YELLOW PAGES" OF YOUR TELEPHONE DIRECTORY UNDER "ENGINES, GASOLINE" OR "GASOLINE ENGINES," "LAWN MOWERS," OR SIMILAR CATEGORY.**

Briggs & Stratton Engines Are Made Under One Or More Of The Following Patents: Design D-247,177 (Other Patents Pending)

5,271,363	5,197,425	5,105,331	5,016,588	4,971,219	4,520,288	4,270,509	DES. 309,458
5,269,713	5,197,422	5,086,890	4,996,956	4,895,119	4,453,507	4,233,534	DES. 309,457
5,265,700	5,191,864	5,040,644	4,995,357	4,819,593	4,435,984	4,193,288	DES. 308,872
5,243,878	5,150,674	5,040,503	4,977,879	4,694,792	4,355,253	4,068,683	DES. 308,871

BrentChalmers.com

In the USA and Canada, a 24 hour hot line, 1-800-233-3723, has a menu of pre-recorded messages offering you engine maintenance information.

# BRIGGS & STRATTON ENGINE OWNER WARRANTY POLICY

effective February 1, 1994

Replaces all undated Warranties and all Warranties  
dated before February 1, 1994

## LIMITED WARRANTY

"Briggs & Stratton Corporation will repair or replace, free of charge, any part, or parts of the engine that are defective in material or workmanship or both. Transportation charges on parts submitted for repair or replacement under this Warranty must be borne by purchaser. This warranty is effective for the time periods and subject to the conditions provided for in this policy. For warranty service contact your nearest Authorized Service Dealer as listed in the 'Yellow Pages™' under 'Engines, Gasoline,' 'Gasoline Engines,' 'Lawn Mowers' or similar category. THERE IS NO OTHER EXPRESS WARRANTY. IMPLIED WARRANTIES, INCLUDING THOSE OF MERCHANTABILITY AND FITNESS FOR A PARTICULAR PURPOSE ARE LIMITED TO ONE YEAR FROM PURCHASE, OR TO THE EXTENT PERMITTED BY LAW ANY AND ALL IMPLIED WARRANTIES ARE EXCLUDED. LIABILITY FOR CONSEQUENTIAL DAMAGES UNDER ANY AND ALL WARRANTIES ARE EXCLUDED TO THE EXTENT EXCLUSION IS PERMITTED BY LAW. Some states do not allow limitations on how long an implied warranty lasts, and some states do not allow the exclusion or limitation of incidental or consequential damages, so the above limitation and exclusion may not apply to you. This warranty gives you specific legal rights and you may also have other rights which vary from state to state."

Briggs & Stratton Corporation



F. P. Stratton, Jr.  
Chairman and Chief Executive Officer

## WARRANTY PERIOD

ENGINES	WITHIN U.S.A. AND CANADA		OUTSIDE U.S.A. AND CANADA	
	CONSUMER USE*	COMMERCIAL USE*	CONSUMER USE*	COMMERCIAL USE*
All Vanguard™ engines.	2 year - engine / Lifetime** - Magnetron® ignition			
All Diamond Plus, Europa™, Industrial Plus™ and all I/C®.	2 year	1 year	2 year	1 year
Quantum® and Diamond Power.	2 year	90 days	2 year †	90 days
All standard 2 through 18 HP engines installed on lawn mowers, riders, edgers, tillers, and all Sno/Gard engines.	2 year	90 days	1 year	90 days
All other standard 2 through 18 HP engines.	1 year	90 days	1 year	90 days

\* For purposes of this warranty policy, "consumer use" means personal residential household use by the original retail consumer. "Commercial use" means all other uses, including use for commercial, income producing or rental purposes. Once an engine has experienced commercial use, it shall thereafter be considered as a commercial use engine for purposes of this warranty. **Engines used in competitive racing or on commercial or rental tracks are not warrantied.**

\*\* Lifetime limited warranty of the Magnetron® ignition covers parts and labor for the first five (5) years from the date of purchase; thereafter only parts. "Lifetime" means lifetime of the engine in the hands of the original purchaser.

† One (1) year in Australia and New Zealand.

**NO WARRANTY REGISTRATION CARD IS NECESSARY TO OBTAIN WARRANTY ON BRIGGS & STRATTON ENGINES.**  
**YOU MUST SAVE THE PURCHASE RECEIPT. A PROOF OF PURCHASE DATE WILL BE REQUIRED TO OBTAIN WARRANTY.**

BrentChalmers.com