



## Parts Catalog

---

# PTO Chipper/Shredder

Model

---

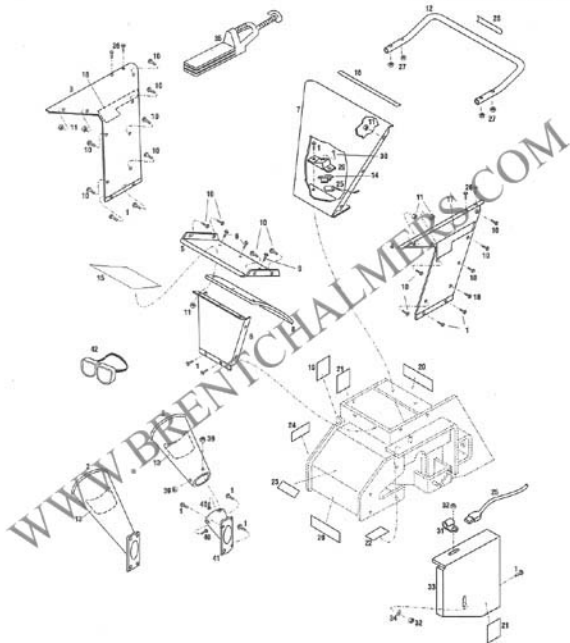
**47026**

Serial Numbers  
470260100101 - 470260299999



# Troy-Bilt® Chipper / Shredder

S/N 470260100101 - 470260299999



#### TOUCH-UP PAINT

- 37 Red Spray Paint
- 38 Black Spray Paint

Ref.	Part	Description	Qty.	Ref.	Part	Description	Qty.
1	1186327	Flange Bolt 5/16-18 x 1/2	12	20	1763130	Front Hand Hazard Decal	2
2	1784703	Chipper Chute Assembly (Incl. Ref. 13) (A)	1	21	1763132	Chipper Side Decal	2
	1771119	Chipper Chute Assembly (Incl. Ref. 13) (B)	1	22	1816172	Warning Decal	1
3	1762629010	Right Panel	1	23	1901900	American Legend Decal	1
4	1762630010	Left Panel	1	24	1763544	Tipping Decal	1
5	1784888	Top Panel Assembly, (Incl. Ref. 15)	1	25	1765834	Wire Harness (Incl. Mercury Switch)	1
6	1762632010	Front Bottom Panel	1	26	1186313	Flange Bolt, 1/4-20 x 1-1/2	4
7	1762633010	Back Panel	1	27	1734398	Toplock Nut, 1/4-20	4
8	1816034	Rubber Flap	1	28	1759797	Combustible Material Decal	1
9	1186310	Flange Bolt, 1/4-20 x 3/4	3	29	1908226010	Switch Bracket	1
10	1186308	Flange Bolt, 1/4-20 x 1/2	16	30	1740752	Pop Rivet	2
11	1186369	Flange Nut, 1/4-20	19	31	1807450	Clamp	1
12	1763455	Handhold Assembly (Incl. Ref. 28)	1	32	1186391	Flange Nut, 5/16-18	2
13	1816037	Orange Decal	1	33	1764709	Drive Guard	1
14	1765547	Clip	1	34	1100255	Flat Washer, 5/16	1
15	1764882	Instructions Decal	1	35	1763008	Leaf Tamper Kit	1
16	1764669	Troy-Bilt Panel Decal	1	37	1900706	Red Spray Paint, 13 oz	N/A
17	1763944	Left Logo Decal	1	38	1735222	Black Spray Paint, 13 oz	N/A
18	1763945	Right Logo Decal	1	39	1734398	Top Locknut	4
19	1816039	Danger Decal	1	40	1186069	Carriage Bolt, 1/4-20 x 3/4	4
				41	1770363010	Chipper Chute Base	1
				42	1758954	Goggles	1

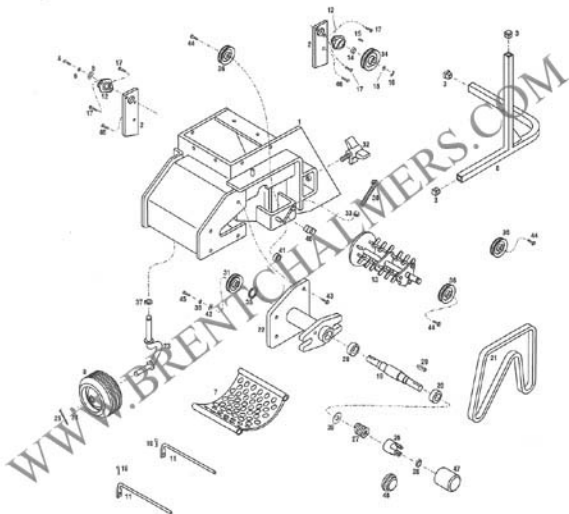
(A) Serial Numbers 470260100101-470260200532

(B) Serial Numbers 470260200533-470260269999

N/A Item not included with unit; order separately.

# Troy-Bilt® Chipper / Shredder

S/N 470260100101 - 470260299999



## SERVICE PARTS

- |    |                    |
|----|--------------------|
| 50 | Screen Kit, 3/8"   |
| 51 | Screen Kit, 1"     |
| 52 | Screen Kit, 1-3/4" |
| 53 | Bar Grate Kit      |

Ref.	Part	Description	Qty.	Ref.	Part	Description	Qty.
1	1764869	Mainframe Assembly (Incl. Refs. 19, 20, 21, 22 & 24 from page 3)	1	26	1901712	Dog Clutch (A)	1
2	1762620010	Plate Closure	2	1909138	Dog Clutch (B)	1	
3	1762690	Cap Plug	3	27	2127	Spring	1
4	1100009	Hex. Head Bolt 3/8-24 x 1	1	28	1113527	Retaining Ring	1
5	1701055	Flat Washer, 3/8	1	29	1104333	Square Key, 3/16 x 1	1
6	1100243	Lockwasher, 3/8	1	30	1908782	Pusher Screw	1
7	1762665	Screen Assembly, 3/4 (Also see Refs. 50-53)	1	31	1908761	Sheave	1
8	1908771001	Front Stand	1	32	1734269	Knob	1
9	1908769	Wheel / Tire Assembly	1	33	1186229	Nut, 1/4-20	1
10	9711	Hairpin Clip	2	34	1908762	Sheave	1
11	1762618	Retainer Rod	2	35	1728830	Retaining Ring	1
12	1762621	Bearing (Incl. Ref. 14)	2	36	1908763	Idler Sheave	3
13	1762606	Cylinder Assembly (See page 6 for breakdown)	1	37	1908760	Retaining Ring, Round Section	1
14	1185788	Locking Collar	1	38	190242	Lockwasher, 5/16	1
15	1108844	Square Key, 1/4 x 1-1/4	1	39	1138-1	Shim	1
16	1185889	Retaining Ring, External	1	40	1908761	Slide Block	1
17	1186328	Flange Bolt, 5/16-18 x 5/8	4	41	1908783	Stand / Off Guard	1
18	1703073	Thrust Washer, 1 1/2	A/R	42	1720245	Flat Washer	1
19	1908768	PTO Spindle	1	43	1186329	Flange Bolt, 5/16-18 x 3/4	4
20	1725087	Bearing	2	44	1186349	Flange Bolt, 3/8-16 x 1-3/4	3
21	1908749	Drive Belt	1	45	1100045	Bolt, 5/16-18 x 1	1
22	1764710	Spindle Housing Assembly	1	46	1186327	Flange Screw, 5/16-18 x 1/2	2
23	1908777	Caster Assembly	1	47	2257	Cap	1
24	1107388	Flat Washer, 5/8	1	48	2266	Plug	1
25	1100861	Cotter Pin, 1/8 x 1/8 x 1-1/4	1	50	1762664	Screen Kit, 3/8	N/I
				51	1762666	Screen Kit, 1	N/I
				52	1762667	Screen Kit, 1-3/4	N/I
				53	1762668	Bar Grate Kit	N/I

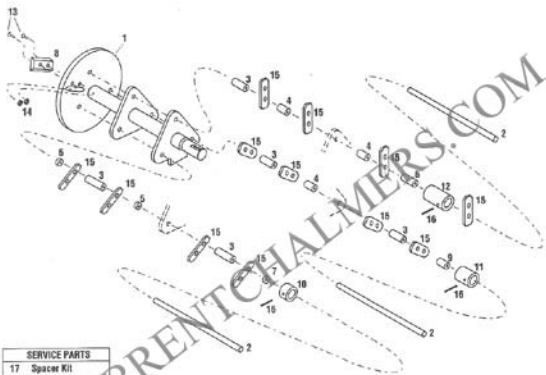
(R) Serial Numbers 4702601000101 — 47026019999

(L) Serial Numbers 4702602000101 — 47026029999

N/I Item not included with unit; order separately.

A/R As required.

# Troy-Bilt® Chipper / Shredder



**SERVICE PARTS**

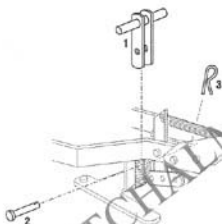
17 Spacer Kit

**CYLINDER ASSEMBLY — 1762606**

Ref.	Part	Description	Qty.	Ref.	Part	Description	Qty.
1	1762607	Cylinder Weldment.....	1	10	1763110	Short Outer Sleeve, 1/2".....	1
2	1762011	Cylinder Pin.....	3	11	1763111	Medium Outer Sleeve, 1-1/8".....	1
3	1762512	Long Spacer, 2".....	5	12	1763112	Long Outer Sleeve, 1-3/4".....	1
4	1762513	Medium Spacer, 1-5/16".....	3	13	1763119	Socket Head Bolt, 1/4-20 x 1.....	2
5	1762514	Short Spacer, 11/16".....	3	14	1908125	Hex Locknut, 1/4-20.....	2
6	1762515	Long Locking Spacer, 2".....	1	15	1756804	Shredder Blade.....	12
7	1762516	Short Locking Spacer, 11/16".....	1	16	1120209	Roll Pin, 3/16 x 3/4.....	3
8	1784810	Chipper Blade.....	1	17	1763449	Spacer Kit (Incl. Refs. 3, 4, 5, 6, 7, 9, 10, 11, 12 & 16).....	N/1
9	1782657	Medium Locking Spacer, 1-5/16".....	1				

N/1 Item not included with unit; order separately.

## REVERSE LOCK-OUT ASSEMBLY 1765969



Ref.	Part	Description	Qty.
1	1765969	Reverse Lock-Out Assembly, (Incl. refs. 2 & 3).....	1
2	1705602	Pin, Clevis .....	1
3	9711	Halfpin.....	1

## Parts Ordering Information

---

### If you need service or parts

For service assistance or parts, contact your local authorized dealer. When ordering parts, provide the following:

1. Serial number and model number.
2. Part number of part needed.
3. Part description.
4. Quantity needed.

### Note:

All genuine replacement parts must conform to our rigid quality specifications. Although some replacement parts we provide may vary slightly in shape, color, or texture from the original parts, any variations will not affect the performance of your unit.

### DANGER

**WE URGE USING ONLY GENUINE REPLACEMENT PARTS, WHICH MEET ALL THE LATEST REQUIREMENTS. REPLACEMENT PARTS MANUFACTURED BY OTHERS COULD PRESENT SAFETY HAZARDS, EVEN THOUGH THEY MAY FIT ON THIS UNIT!**

---

### IMPORTANT:

Left and right sides of the unit are determined by standing behind the unit, in the operator's position.

### NOTICE:

We reserve the right to change specifications, add improvements or discontinue the manufacture of any of our equipment without notice or obligation to purchasers of our equipment.

## Identification Numbers

---

### Record the model number and serial number.

When ordering any parts from us or your local servicing dealer, provide the information on the model/serial number decal. For your convenience and ready reference, record this information in the spaces provided below.

Model Number: \_\_\_\_\_

Serial Number: \_\_\_\_\_

Date of Delivery: \_\_\_\_\_

*For customer assistance, contact your nearest authorized dealer or:*

In the United States: Garden Way Incorporated • 102nd St. and 9th Ave. • Troy, New York 12180  
For Technical Service: (800) 520-5520 • For Parts: (800) 648-6776

In Canada: Garden Way Incorporated • 320 Van Sickle Rd., Unit 12 • Saint Catharines, Ontario L2R 6P7  
For Technical Service or Parts: (800) 225-3555